

PPUH AUTO-HAK Sp.J.

Henryk i Zbigniew Nejman
ul. Słoneczna 16K 76-200 SŁUPSK
POLAND

tel/fax +48 59 8 414 414; +48 59 8 414 413

e-mail: office@autohak.com.pl

www.autohak.com.pl



AUTO-HAK

RENAULT MODUS, 5D, VAN

Cat. no:

G48A



10.2004 →



E20-55R-01 5107

D

5,77 kN



R=900 kg



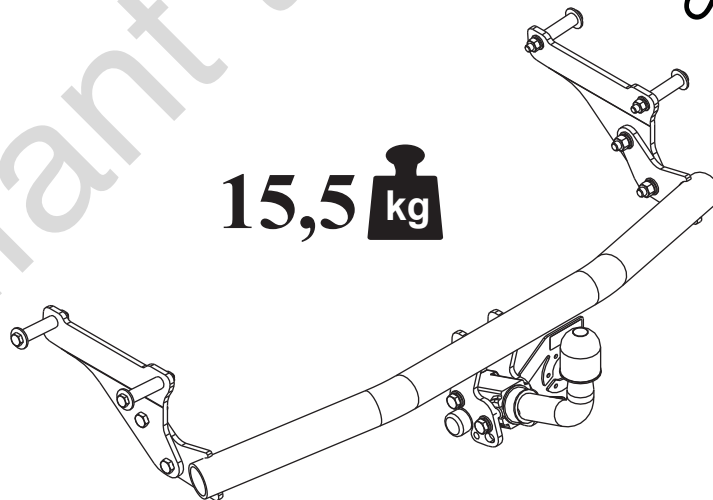
S=75 kg



2h



15,5 kg



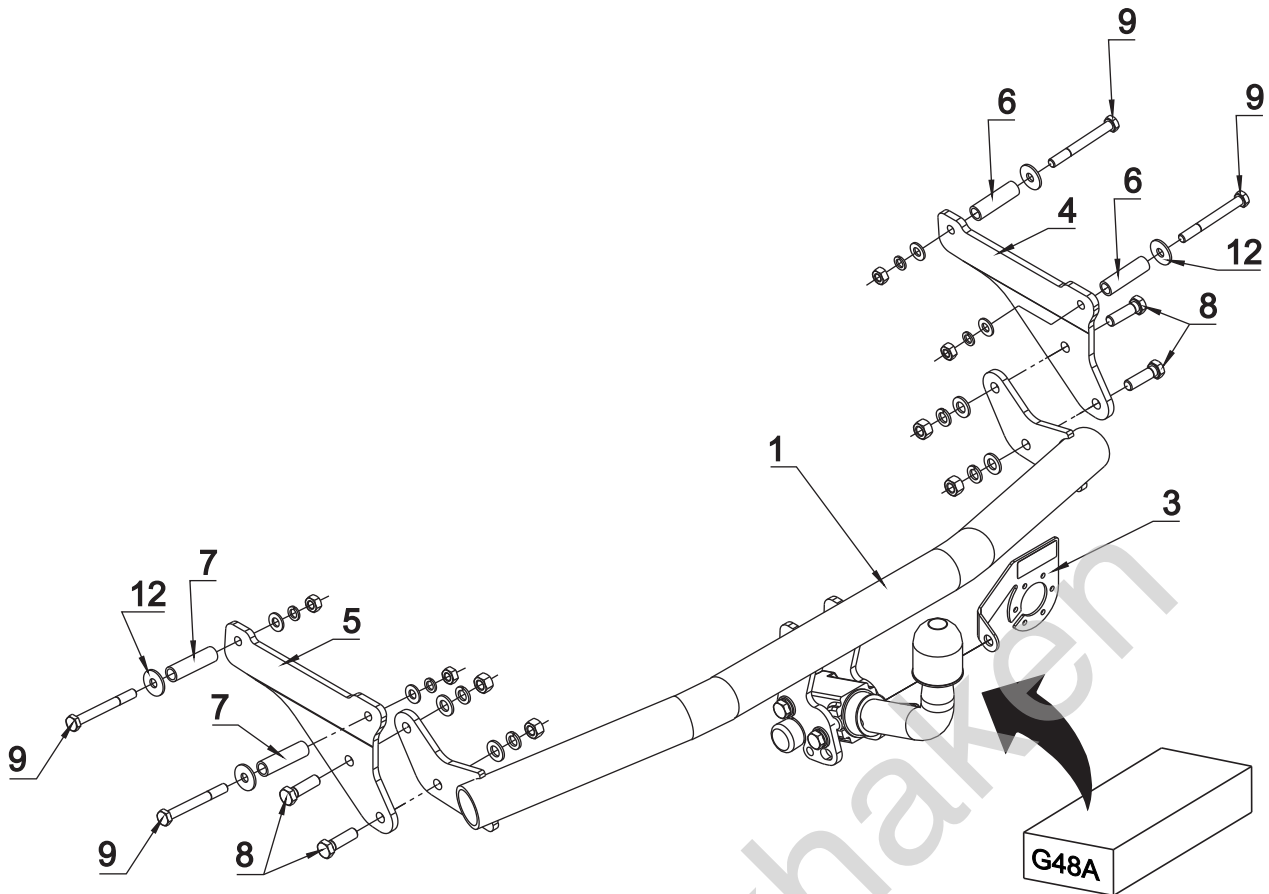
śruba	Nm	M6	M8	M10	M12	M14	M16
klasa 8.8		9,9	24	48	83	132	200
klasa 10.9		14	34	67	117	185	285

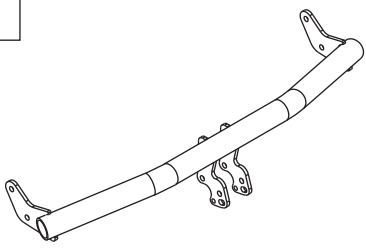


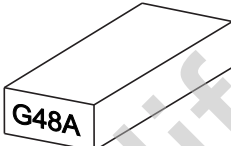




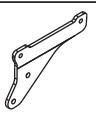
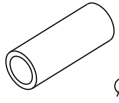
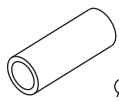


0 km →



1000 km



1		x1		8	M12x40	x4	
					9	M10x90	x4
					10	∅ 13	x4
					11	∅ 10.5	x4
					12	∅ 30x∅10.5x2.5 10 DIN 9021	4
2		x1		13	∅ 12.2	x4	
				14	∅ 10.2	x4	
				15	M12	x4	
3		x1		16	M10	x4	
				Art.nr-BL1G48A			
4		x1					
5		x1					
6		x2	∅ 17.2x2.35, L=59mm				
7		x2	∅ 17.2x2.35, L=63mm				

