

# PPUH AUTO-HAK Sp.J.

Henryk & Zbigniew Nejman  
ul. Słoneczna 16K 76-200 SŁUPSK  
POLAND

tel/fax +48 059 8-414-414; 8-414-413

e-mail: [office@autohak.com.pl](mailto:office@autohak.com.pl)

[www.autohak.com.pl](http://www.autohak.com.pl)



# AUTO-HAK



**RENAULT MEGANE IV**  
5D, ~~GT Line~~

Cat. no:

**G87A**



02.2016 →



E20-55R-01 4724



8,67 kN



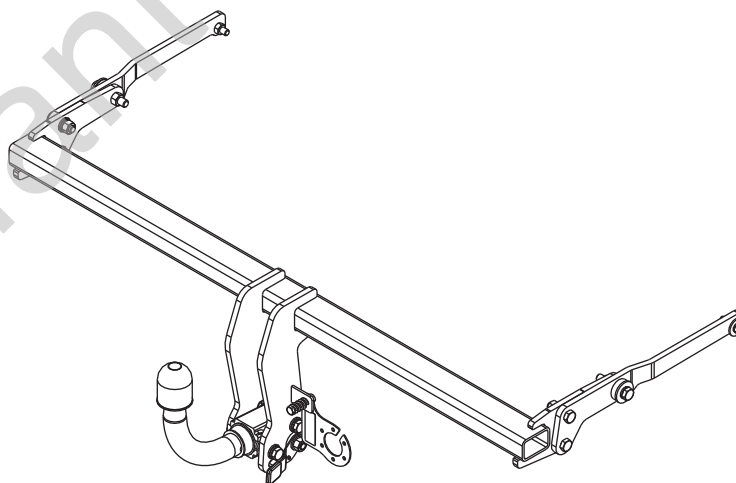
R=1500 kg



S=75 kg



2h



M6 - 8,5 Nm  
M10 - 41 Nm  
M14 - 112 Nm

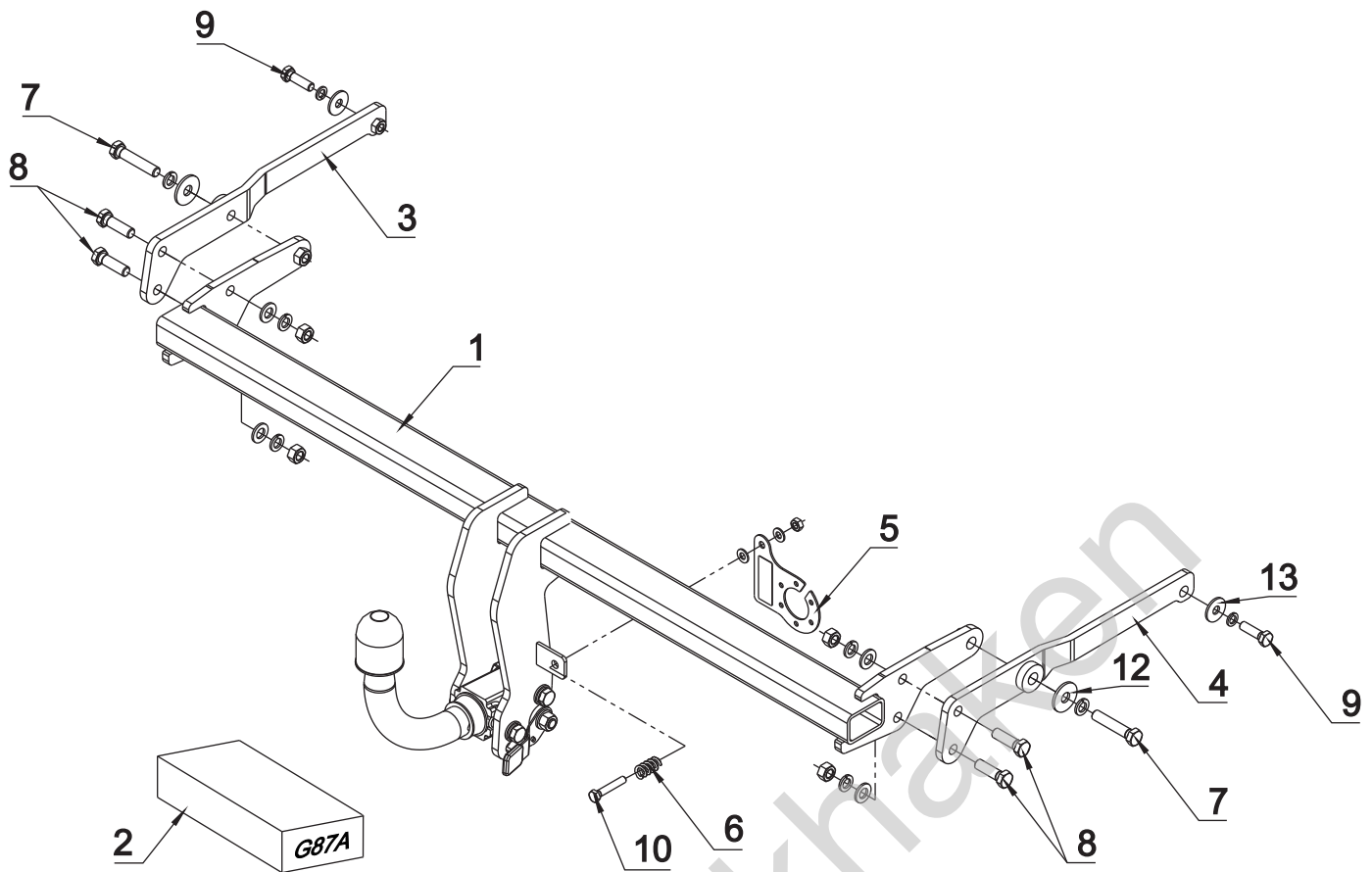
M8 - 20 Nm  
M12 - 70 Nm  
M16 - 170 Nm

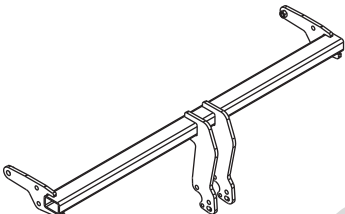

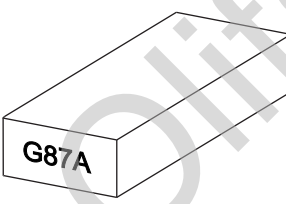

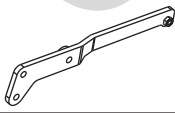
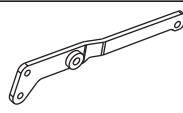
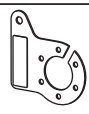

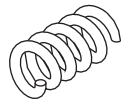
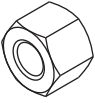


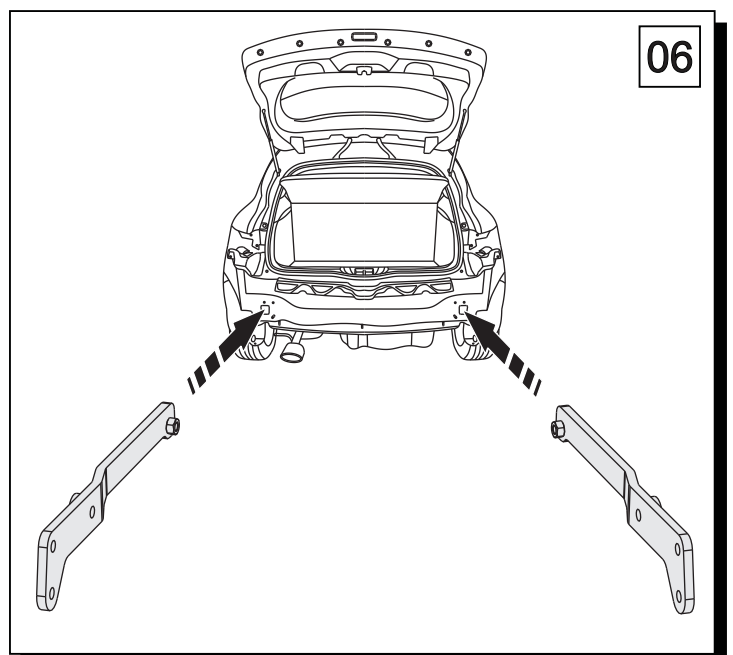
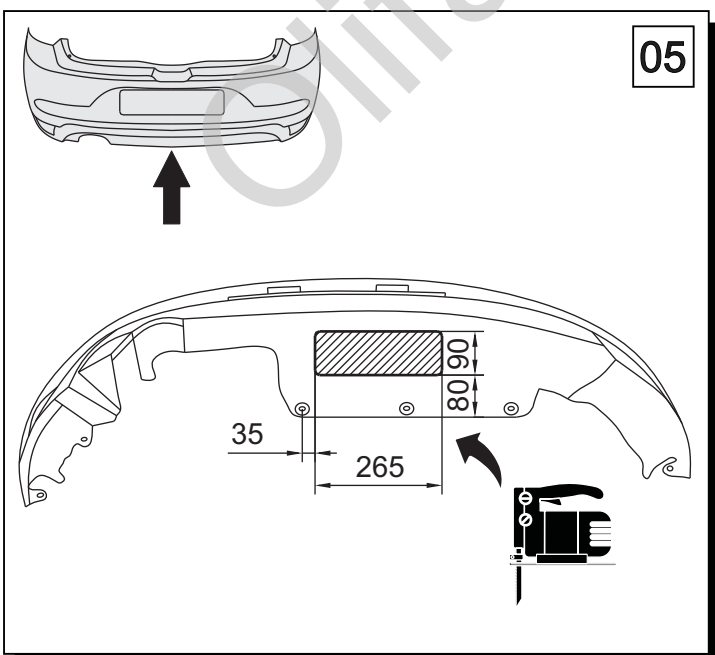
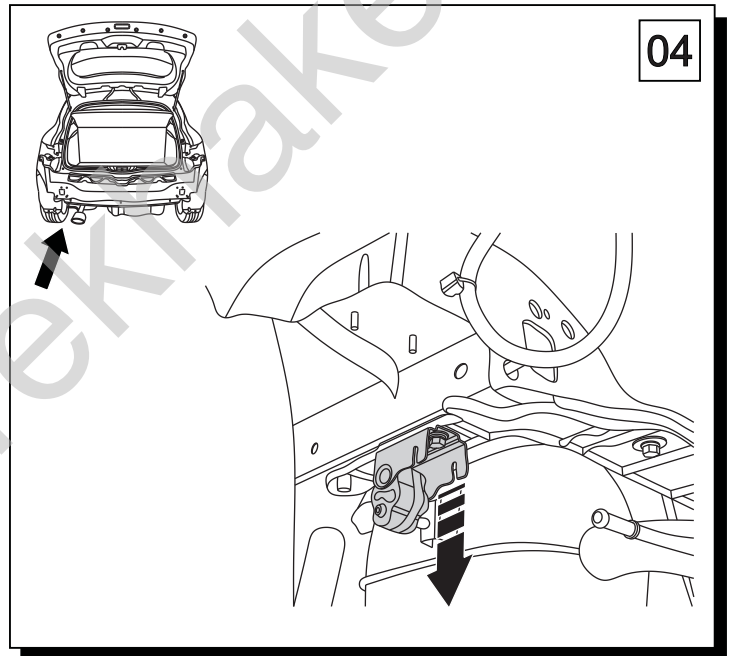
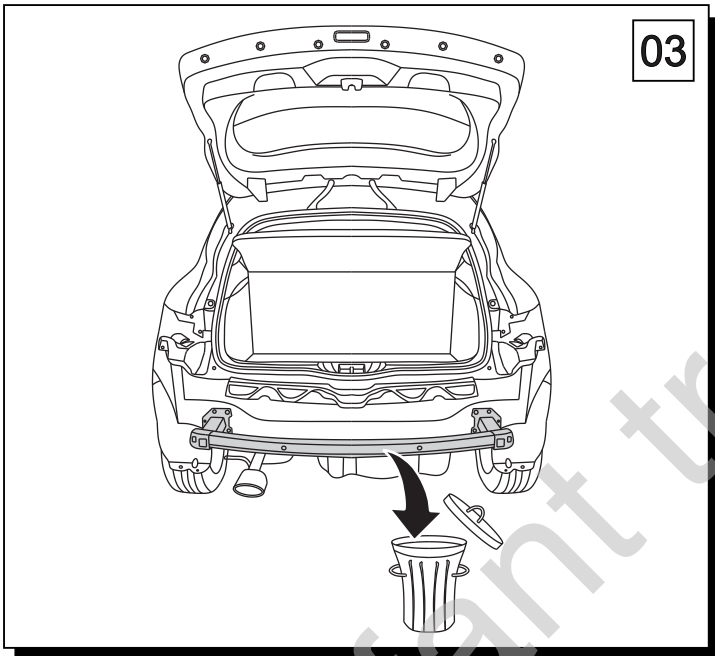
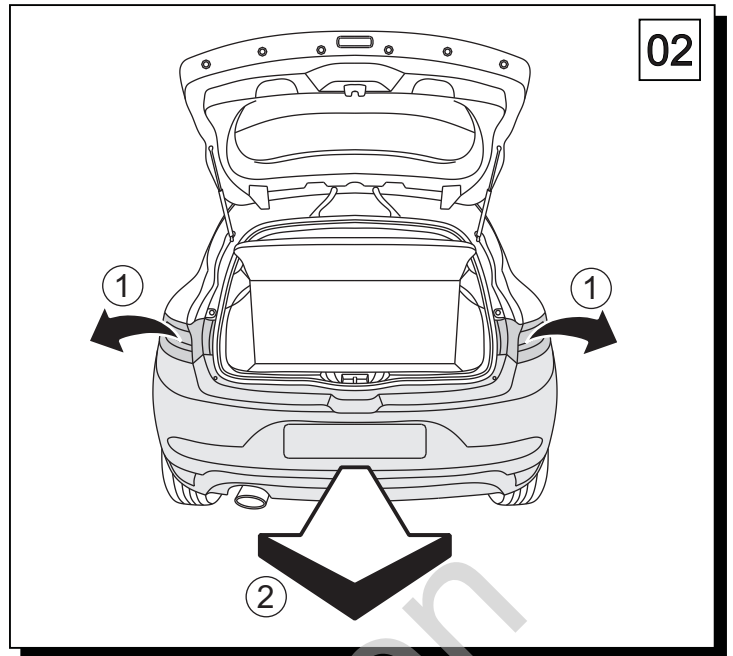
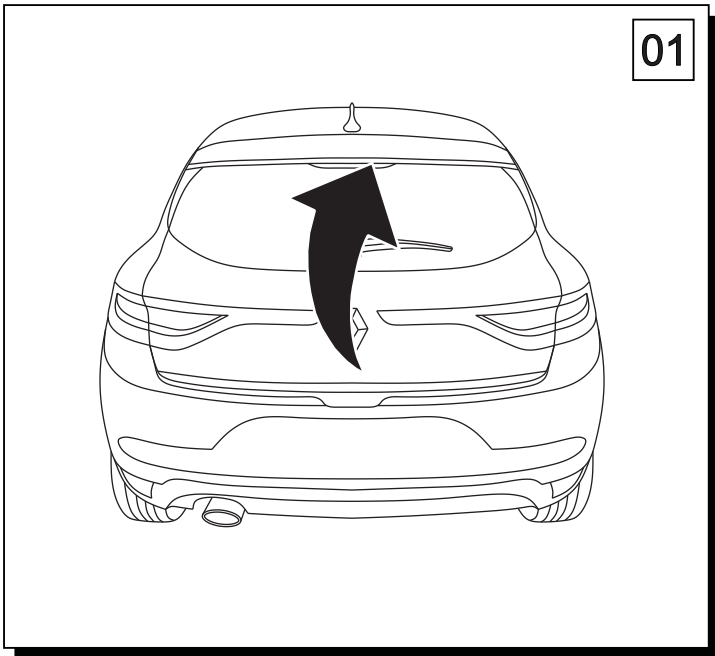
0 km →

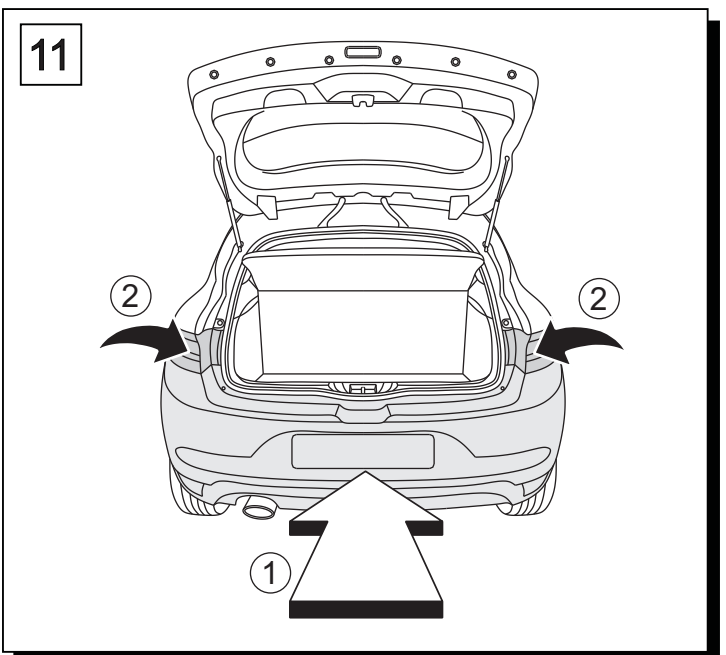
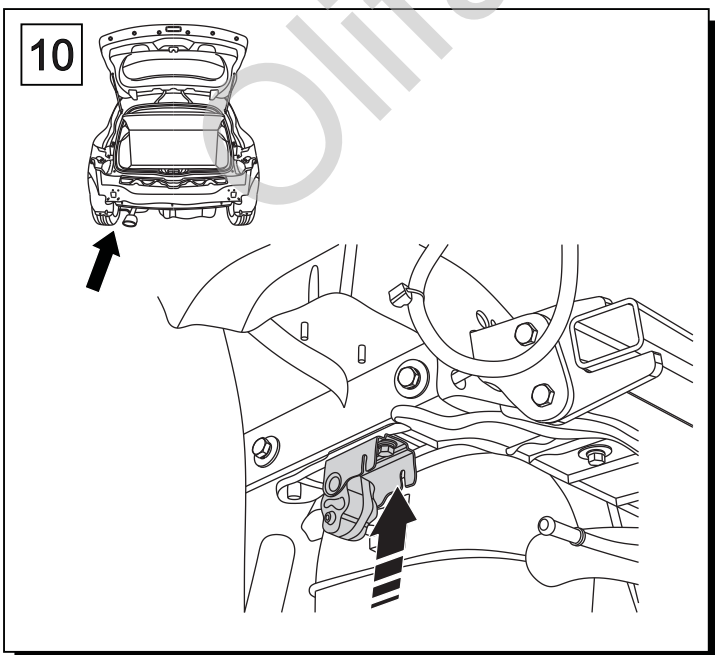
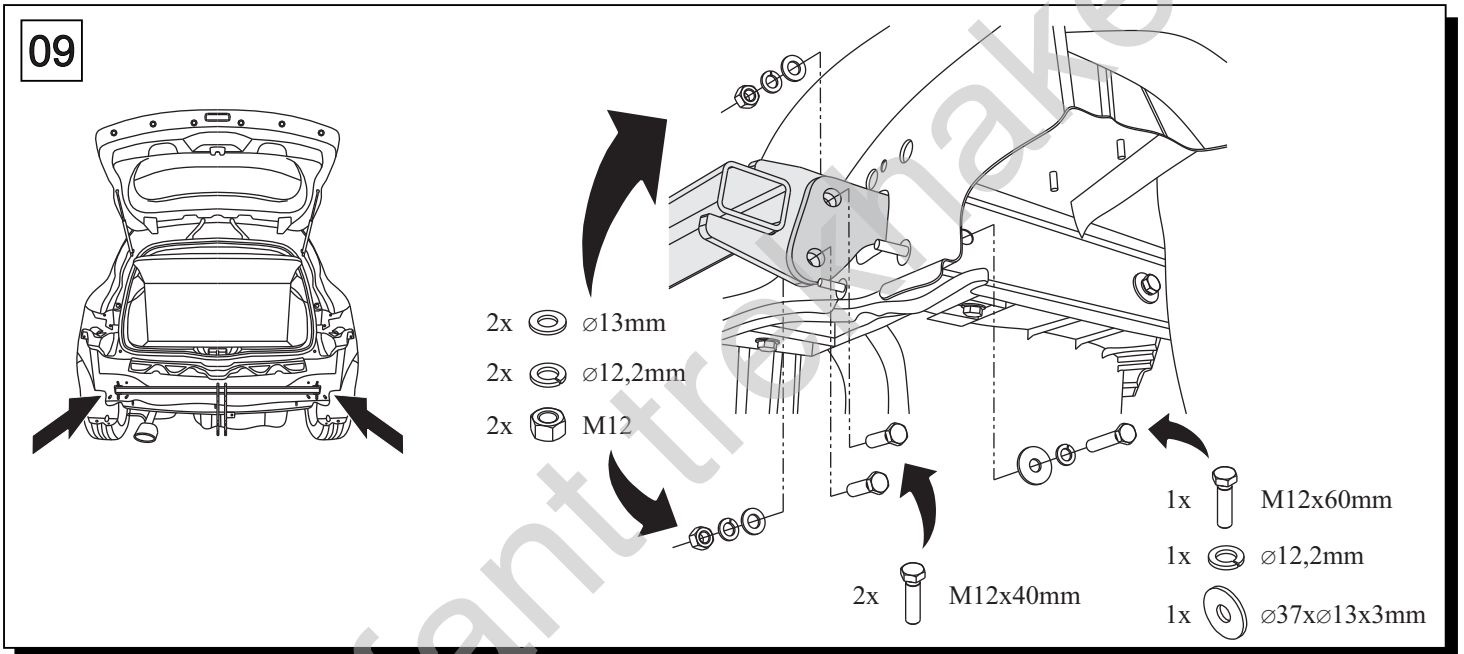
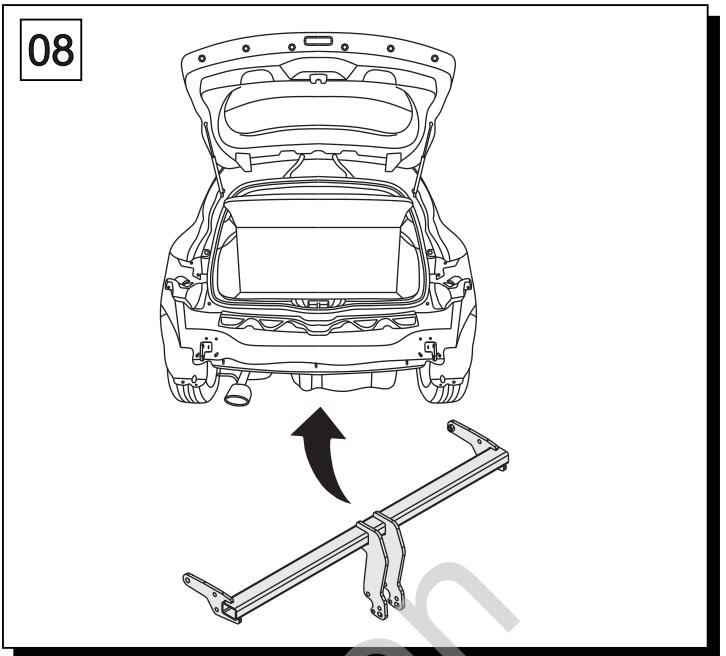
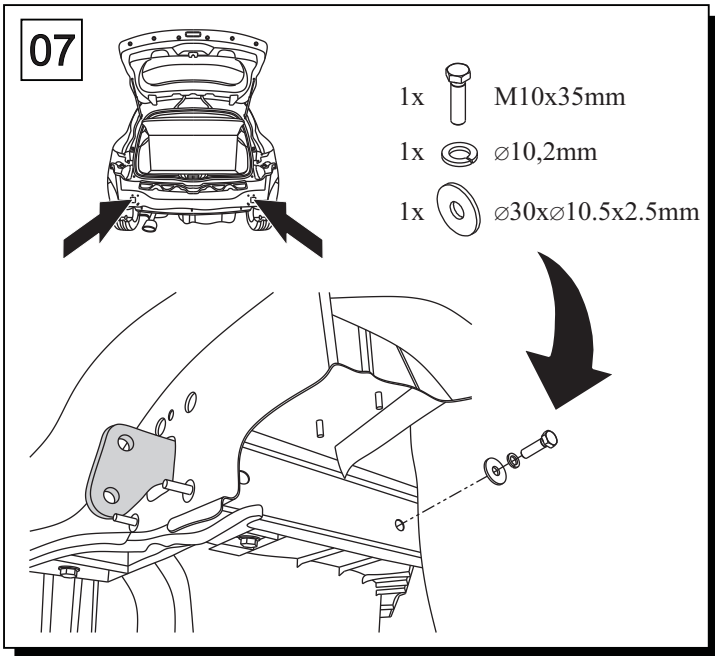


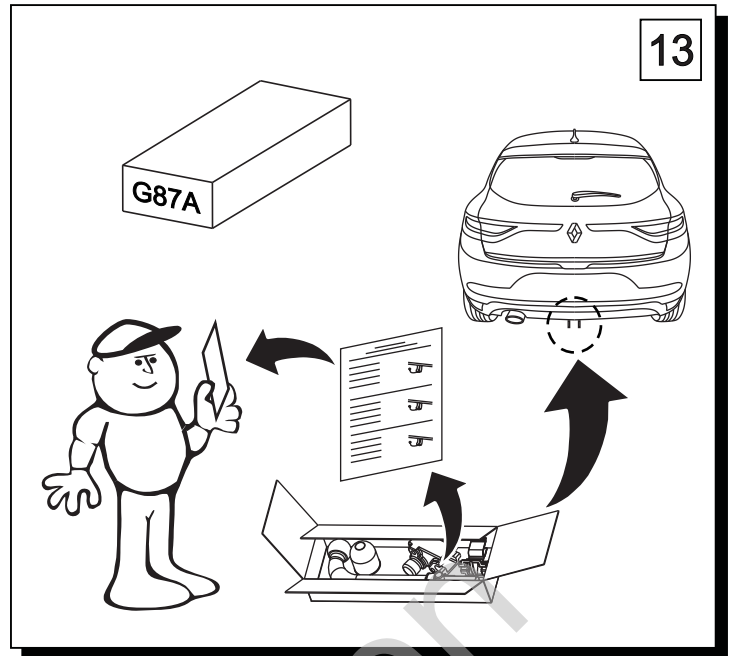
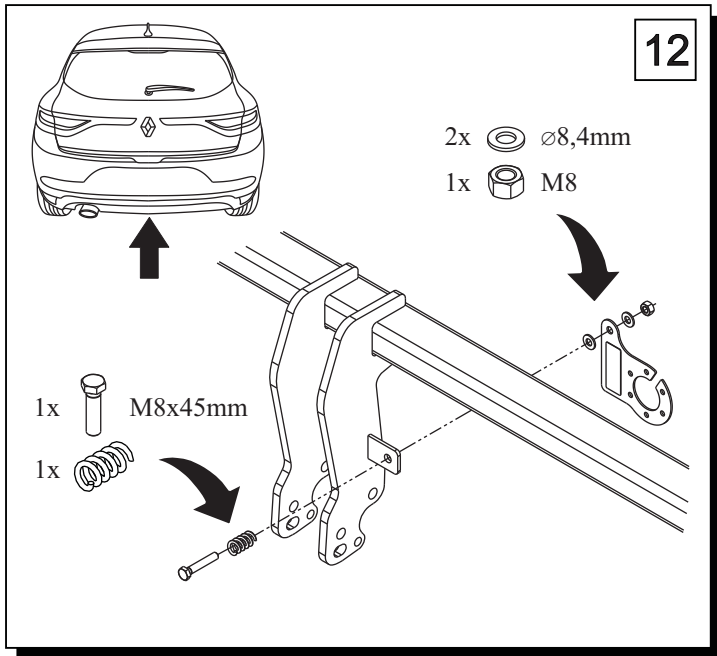
1000 km



1		x1		7	M12x60	x2
2	 Art.nr-KL1G87A	x1		8	M12x40	x4
				9	M10x35	x2
3		x1		10	M8x45	x1
				11	∅ 13	x4
4		x1		12	∅ 37x∅13x3	2
				13	∅ 30x∅10.5x2.5	2
5		x1		10	DIN 9021	
				14	∅ 8.5	x2
6		x1		15	∅ 12.2	x6
				16	∅ 10.2	x2
7				17	M12	x4
				18	M8	x1







Olifant trekhakeri