

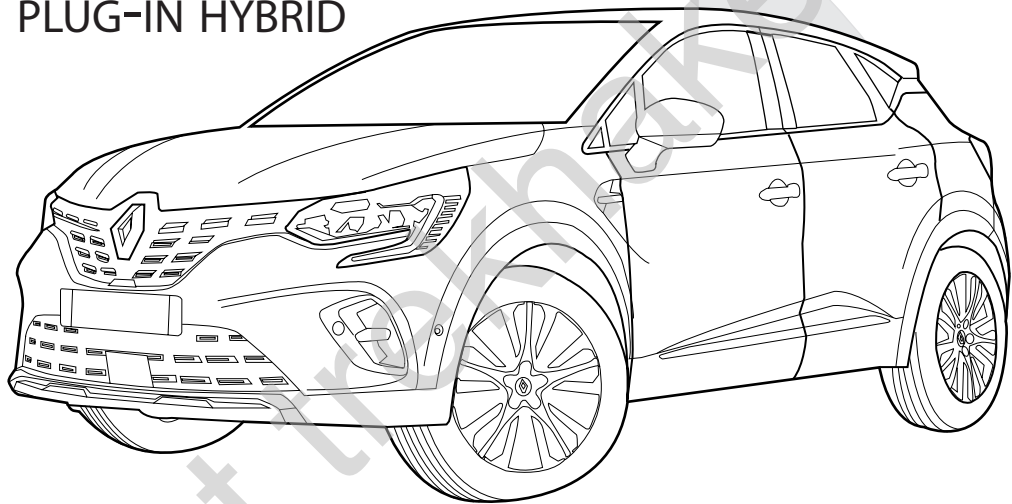


TREKHAKEN • ATTELAGES • ANHÄNGERVORRICHTUNGEN • TOWBARS • ENHANCES • ANHÆNGERTRÆK
Montagehandleiding | instructions de montage | Einbauanleitung | Mounting instruction
Instrucciones de montaje | monteringsvejledning

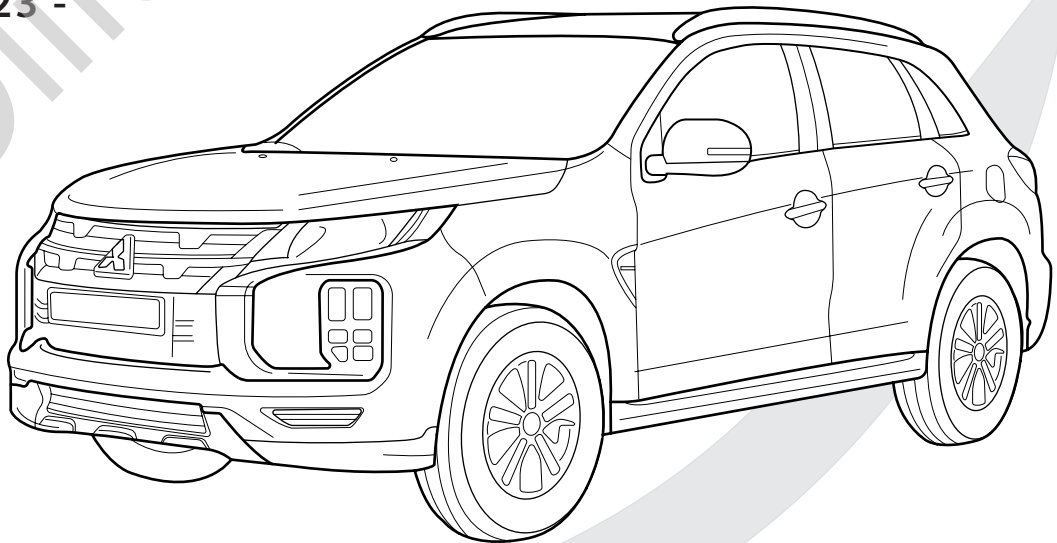


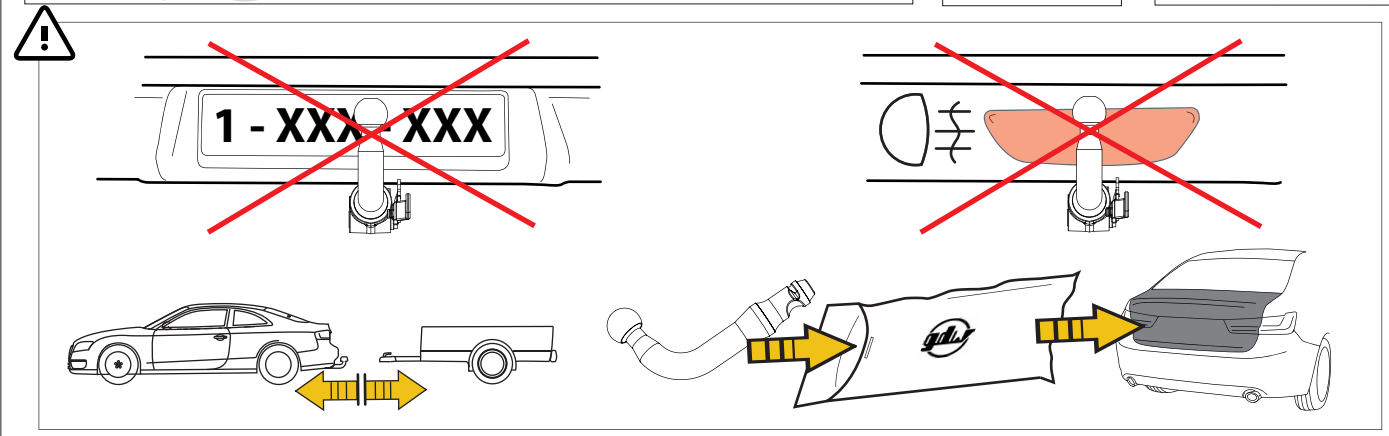
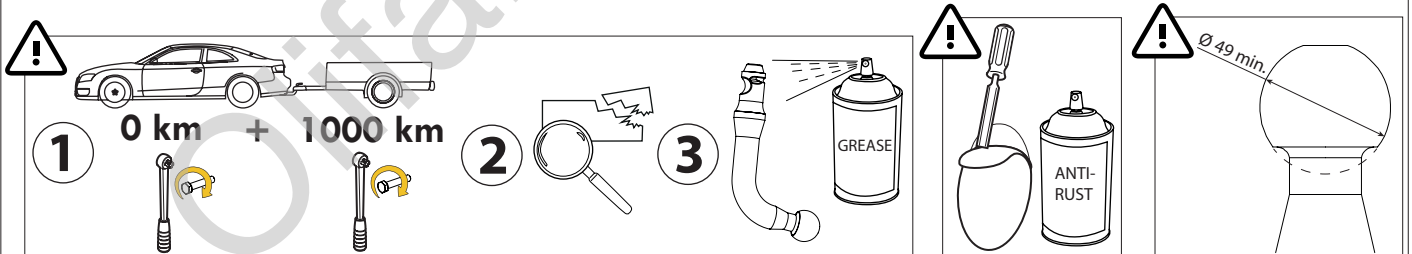
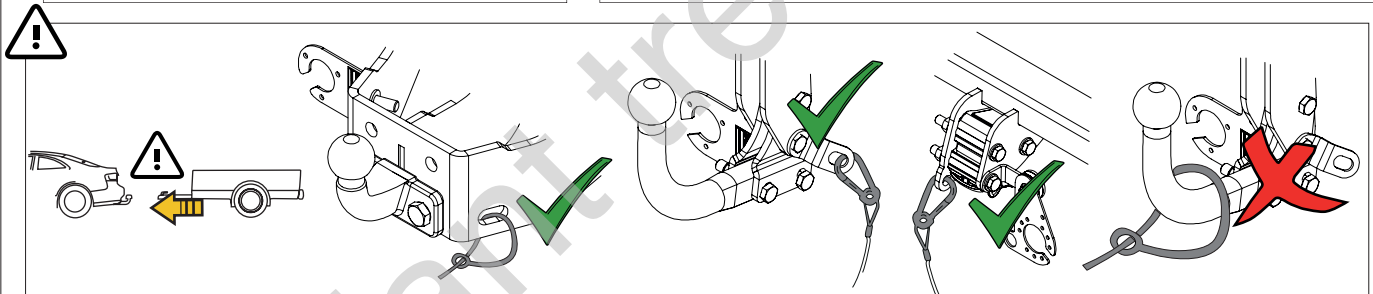
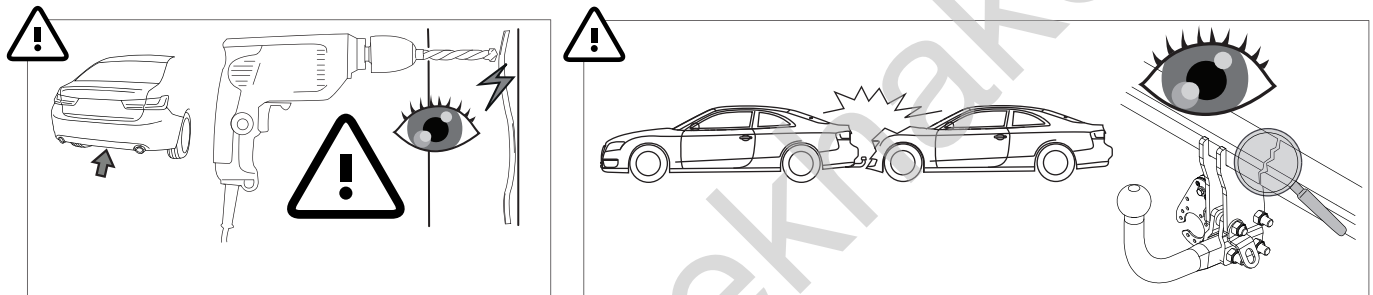
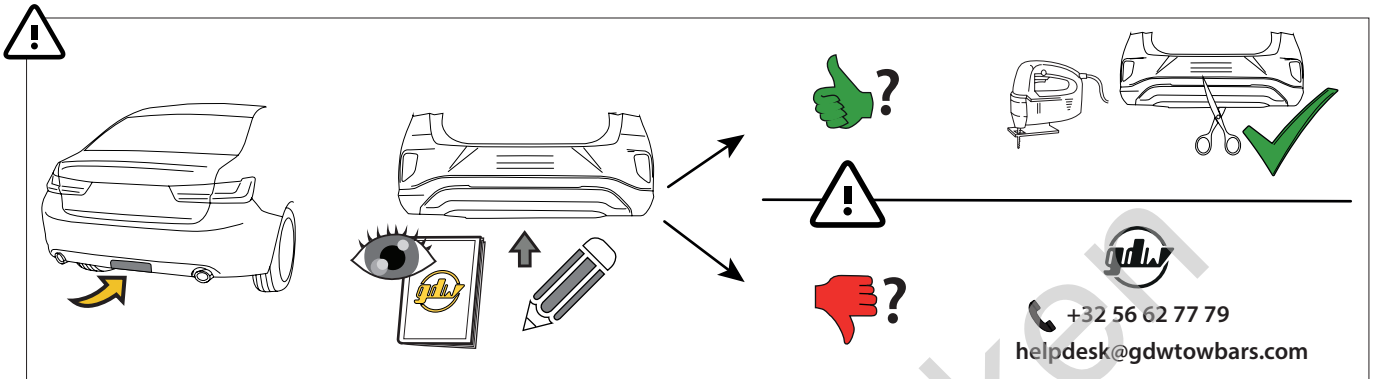
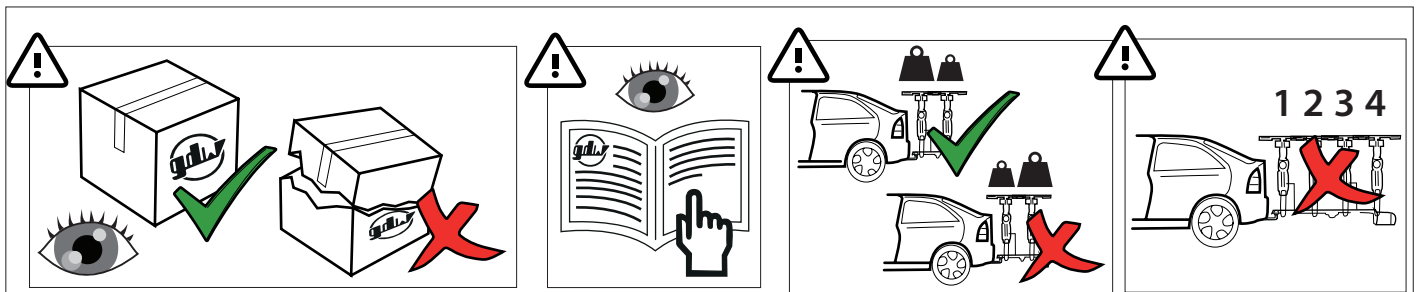
Renault Captur II (HF) 01/'20 -

- ✓ STANDARD
- ✓ AD BLUE
- ✓ PLUG-IN HYBRID



Mitsubishi ASX (VSX,VSE) 01/'23 -





MADE BY



D 8,70

F

E6

BELGIUM

S 75

EC-N°

55R-021646

REF N°

2536

SERIAL N°

XXXX

DESCRIPTION

Renault Captur II 01/'20-, Mitsubishi ASX 01/'23-



$$D = \frac{\text{max kg (car)} \times \text{max kg (trailer)} \times 0.00981}{\text{max kg (car)} + \text{max kg (trailer)}} \leq 8,70 \text{ kN}$$

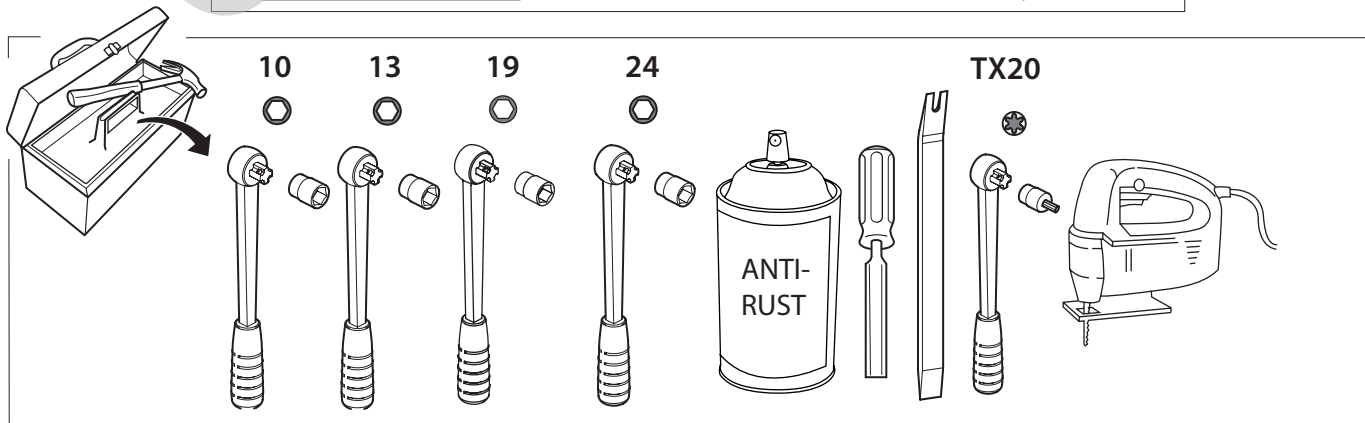
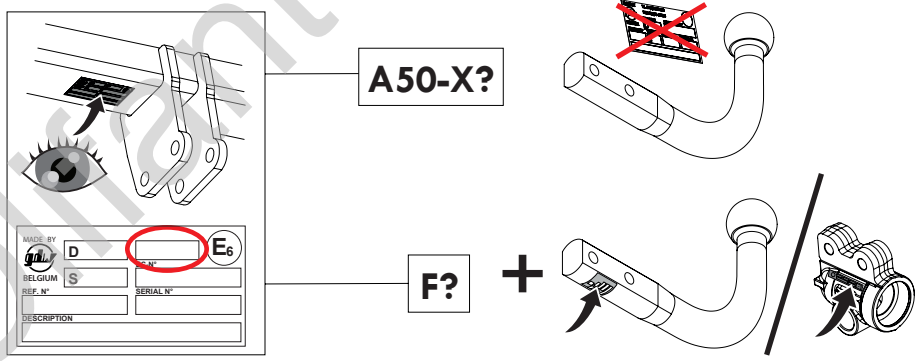
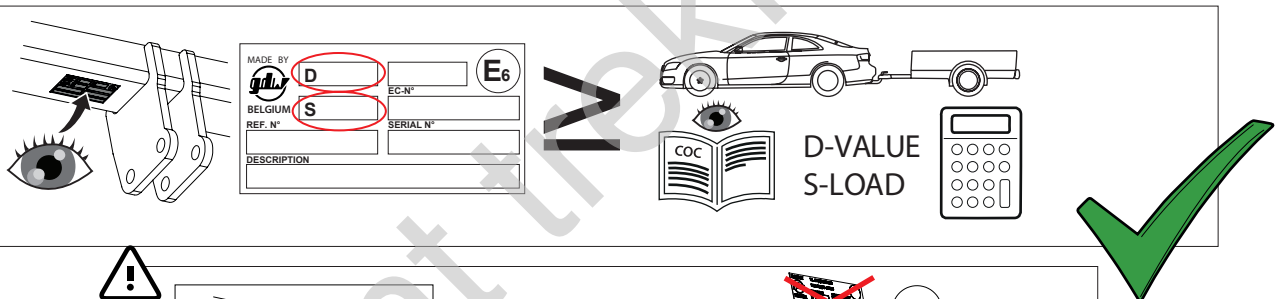
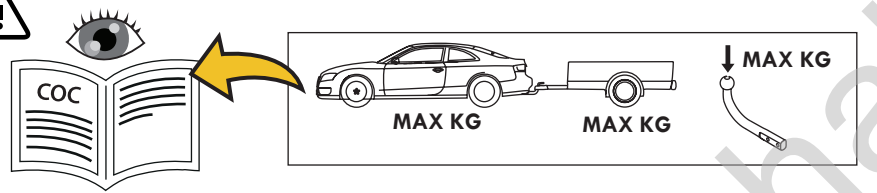
$$S = \begin{cases} \leq 75 \text{ kg} \\ \leq 1500 \text{ kg} \end{cases}$$

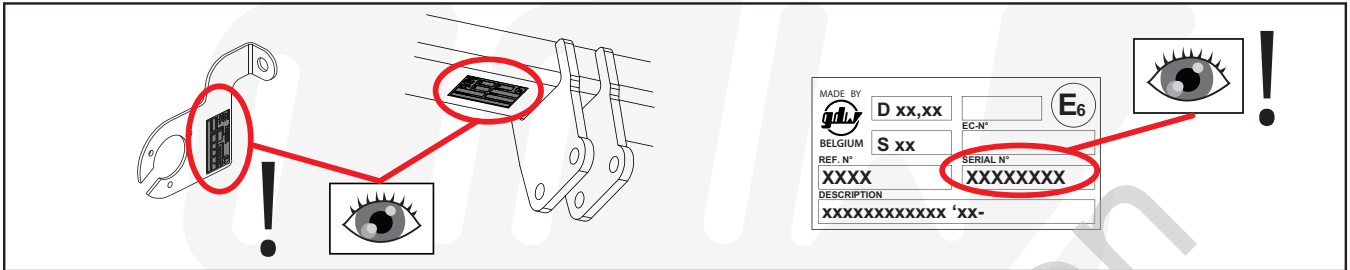


See the Certificate Of Conformity (COC) of your vehicle or contact your dealer to verify the max. trailer weight of your car!



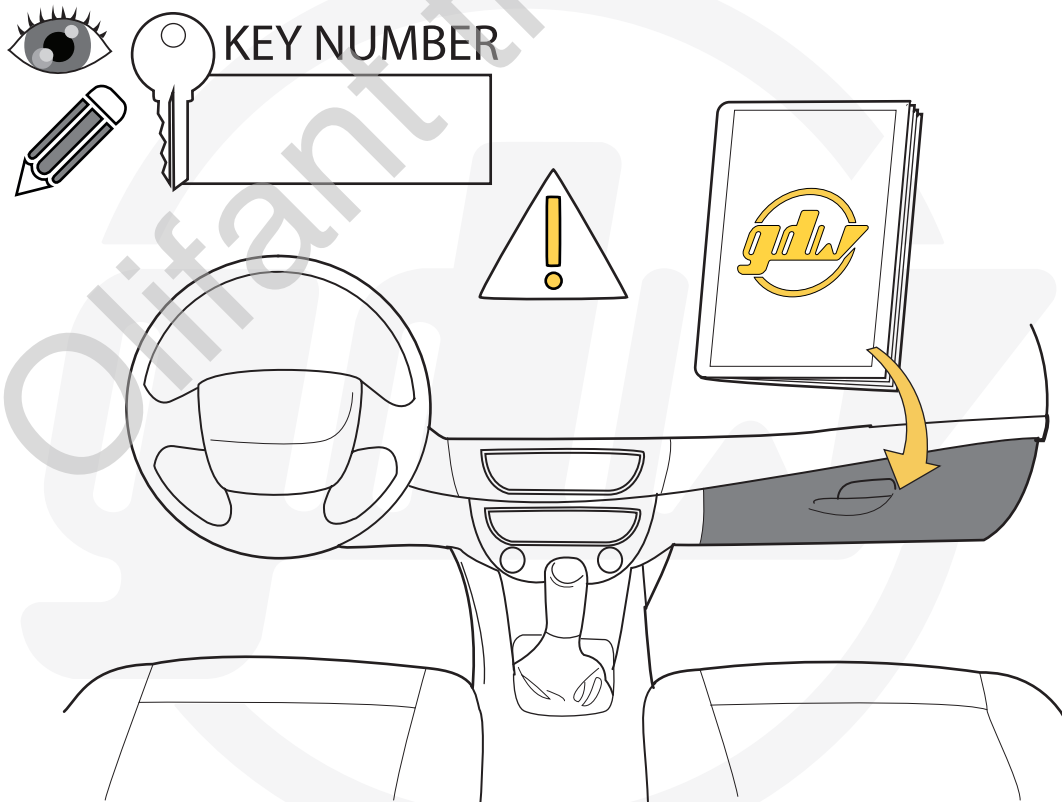
See the user manual of the vehicle for correct use of bicycle carriers!

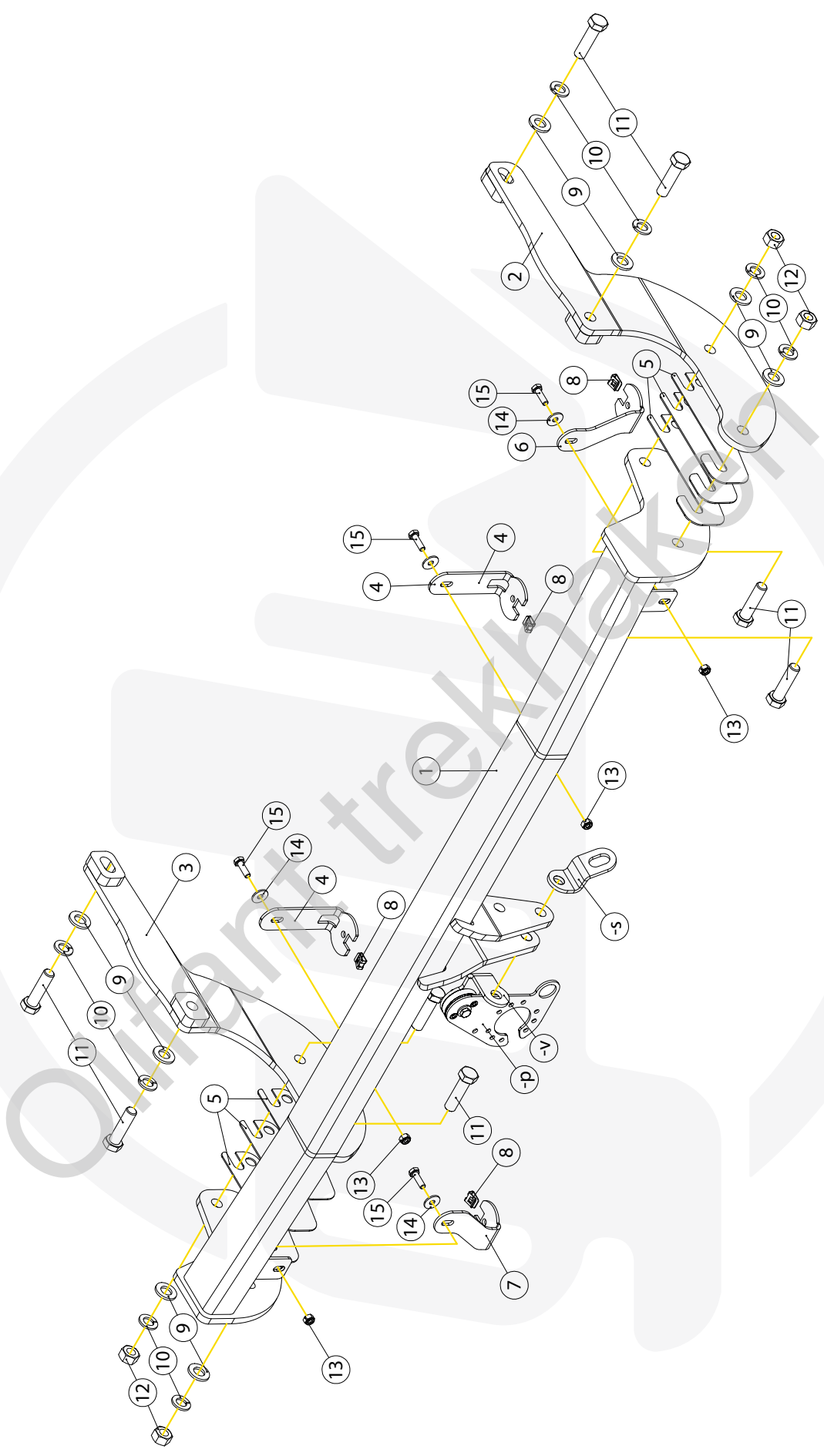


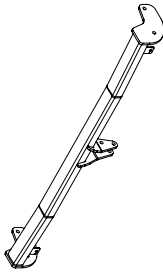


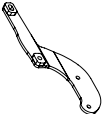
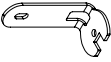
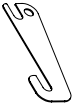



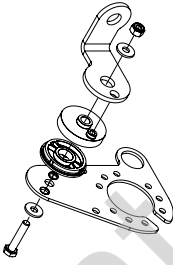



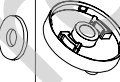


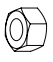
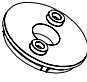
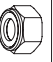
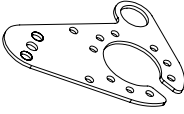







helpdesk@gdwtowbars.com
+32 56 62 77 79

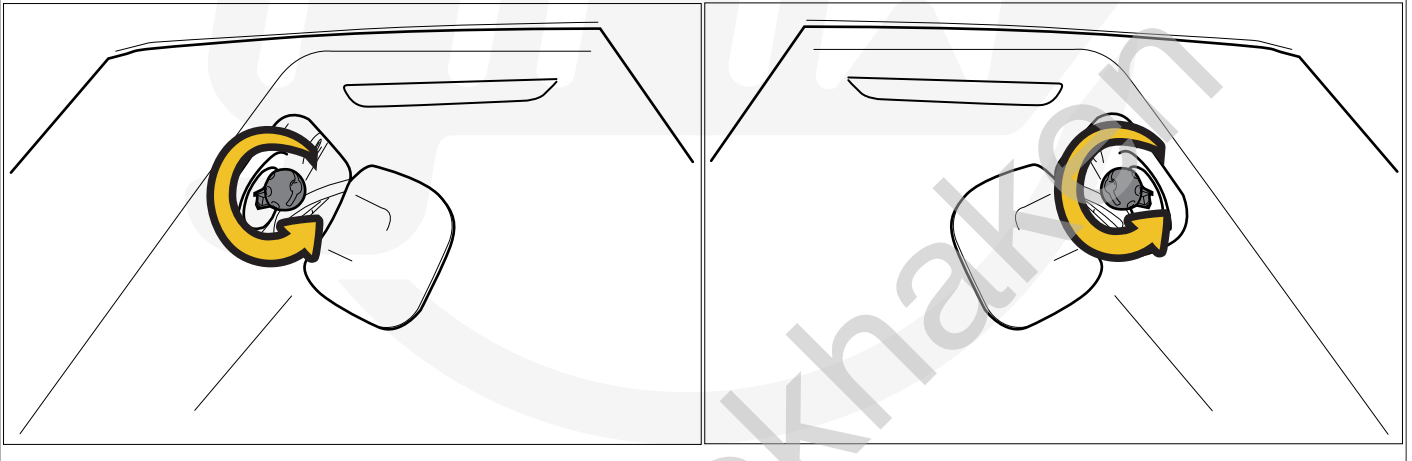
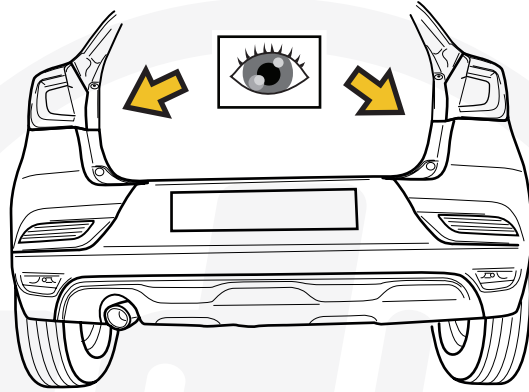
Monday	08:00 - 12:00	12:30 - 16:30
Tuesday	08:00 - 12:00	12:30 - 16:30
Wednesday	08:00 - 12:00	12:30 - 16:30
Thursday	08:00 - 12:00	12:30 - 16:30
Friday	08:00 - 12:00	12:30 - 15:30



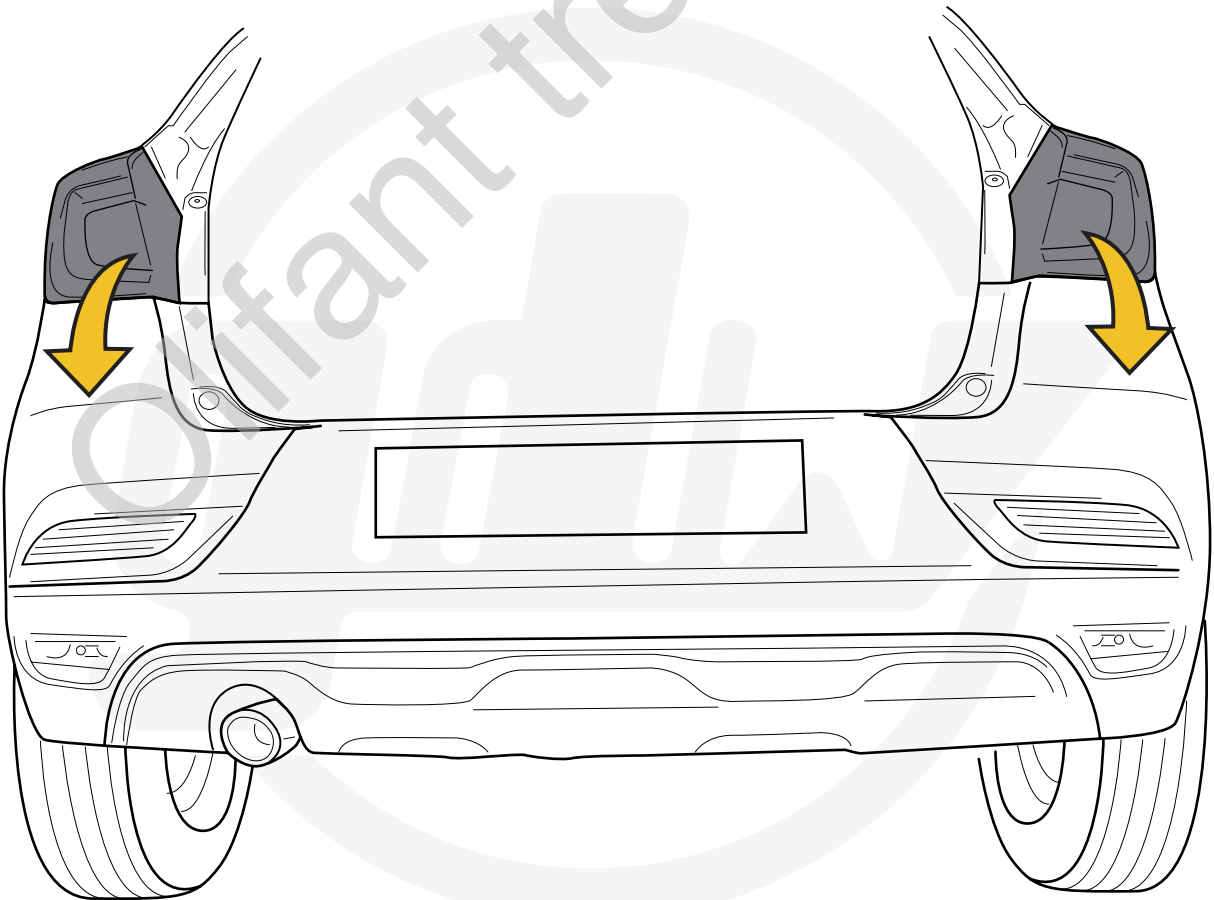


1		X1	GDW REF. 2536		-S		X1	GDW REF. 900.053		Geleverd met - Livré avec - Delivered with Geliefert mit - Elementos adjuntos - Leveres med - Forniti insieme
2		X1	GDW REF. 2						X1	944.LH035
3		X1	GDW REF. 3						X4	DIN931-M12 X 70
4		X2	GDW REF. 4						X4	DIN985-M12
5		X6	GDW REF. 5						X2	GDW REF. 900.011 Ø 21.3 X 11.7
6		X1	GDW REF. 6						X1	GDW REF. 900.025
7		X1	GDW REF. 7						X1	GDW REF. 900.026
8		X4	SNAP NUT NUS 245-3 GDW REF. 721.32.003				X1	GDW REF. P39		
9		X8	DIM125-A12-14OHV-ELZ				X1	DIN985-M6		
10		X8	DIN 128A-M12				X2	6,2 X 15,4 X 1,6 (NYLON)		
11		X8	DIN931-M12 X 45				X1	GDW REF. 718.16.002		
12		X4	DIN 934-M12				X1	GDW REF. 718.16.003		
13		X4	DIN985-M6				X1	GDW REF. 908.094		
14		X4	DIN9021-M6				X1	DIN933-M6 X 30		
15		X4	DIN933-M6 X 20				X1	GDW REF. 908.095		
-V		X1	GDW REF. 908.095							

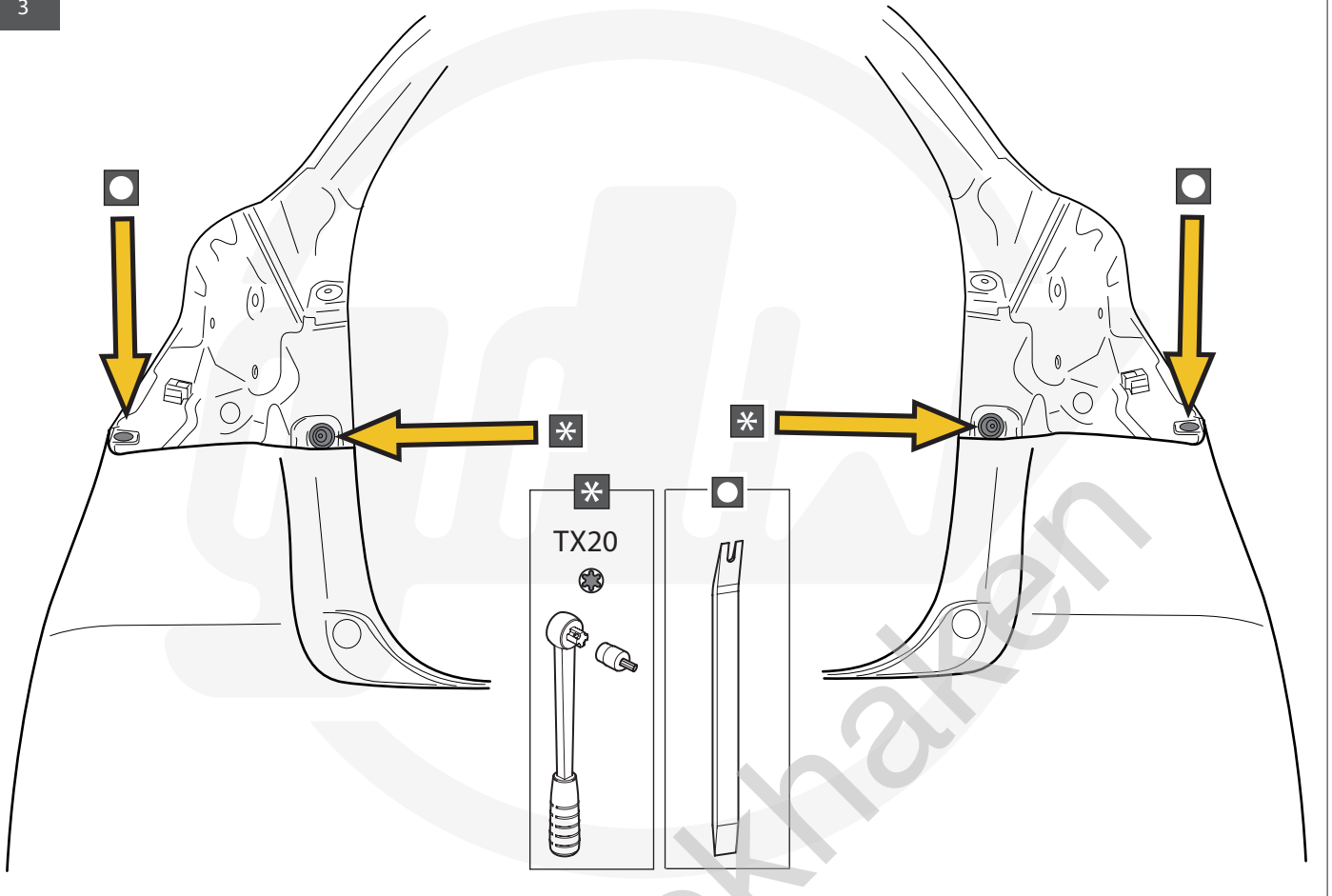
1



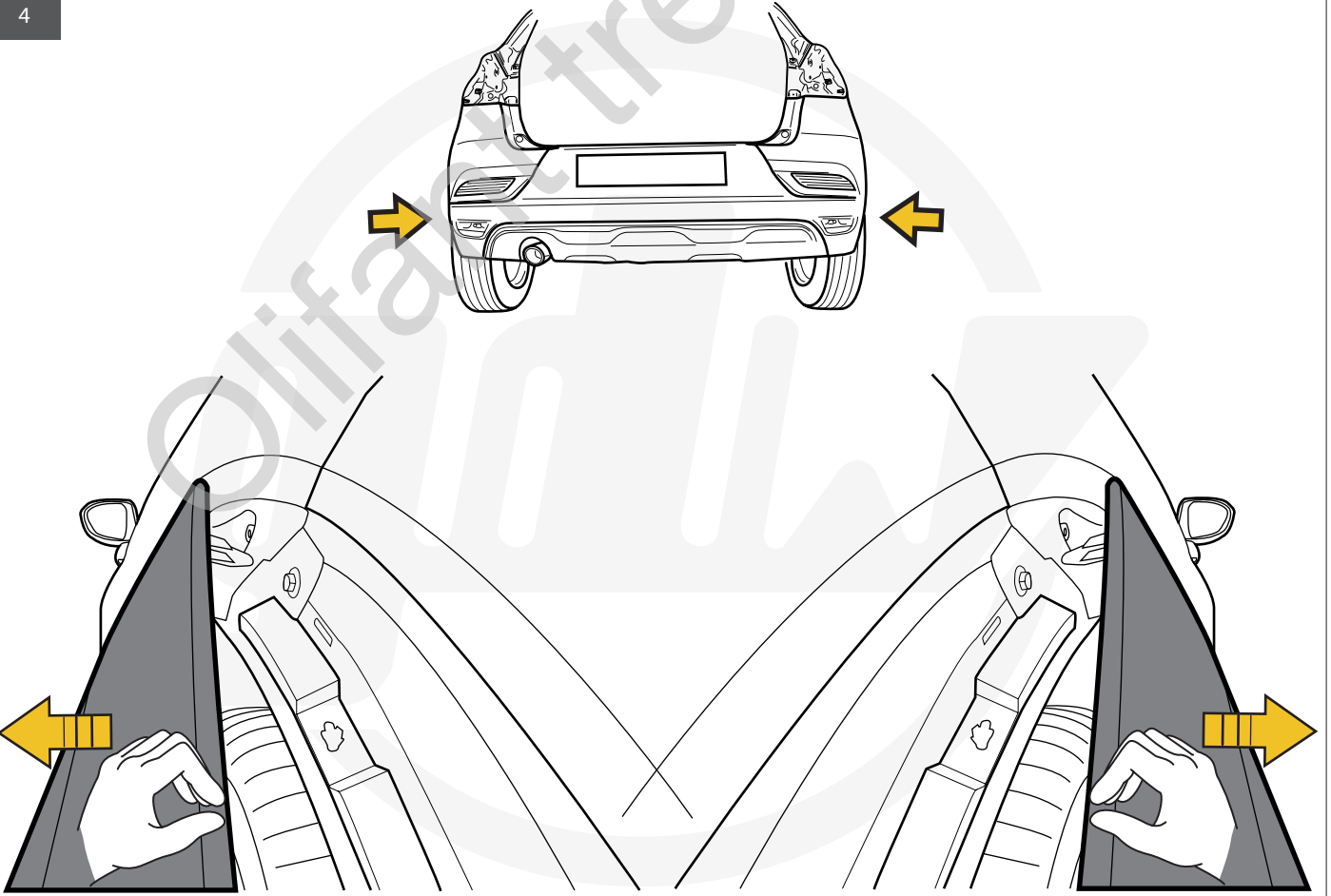
2

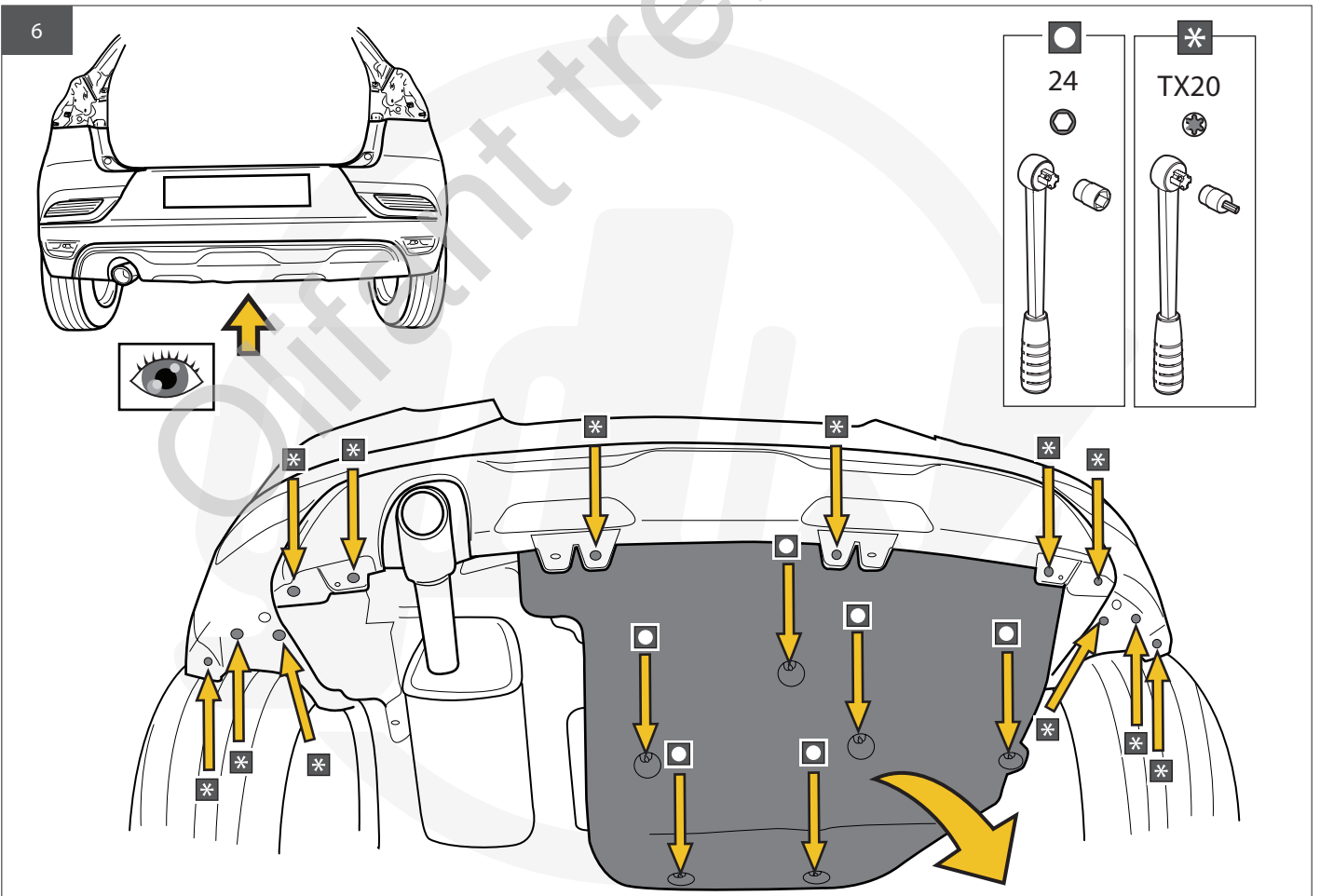
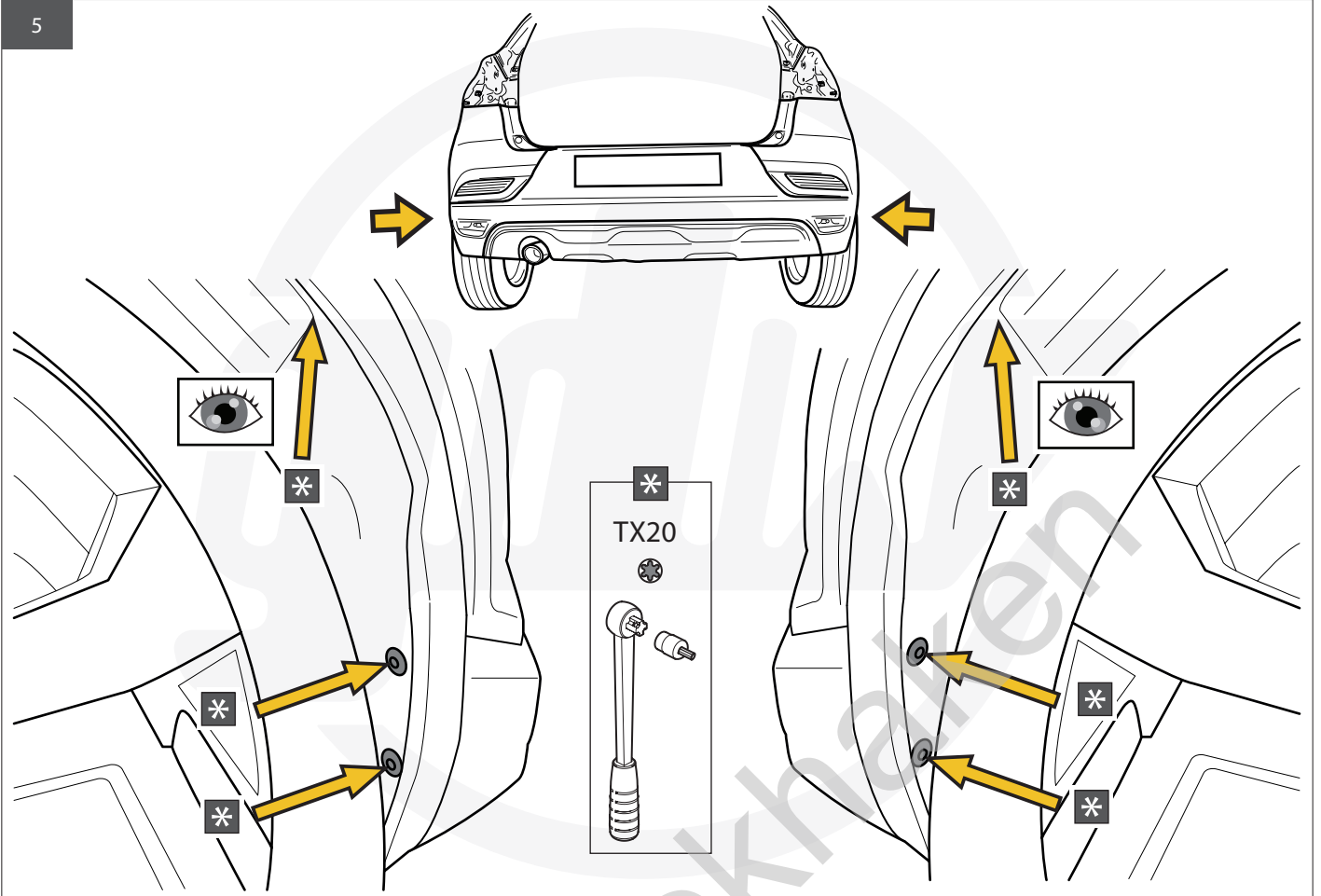


3

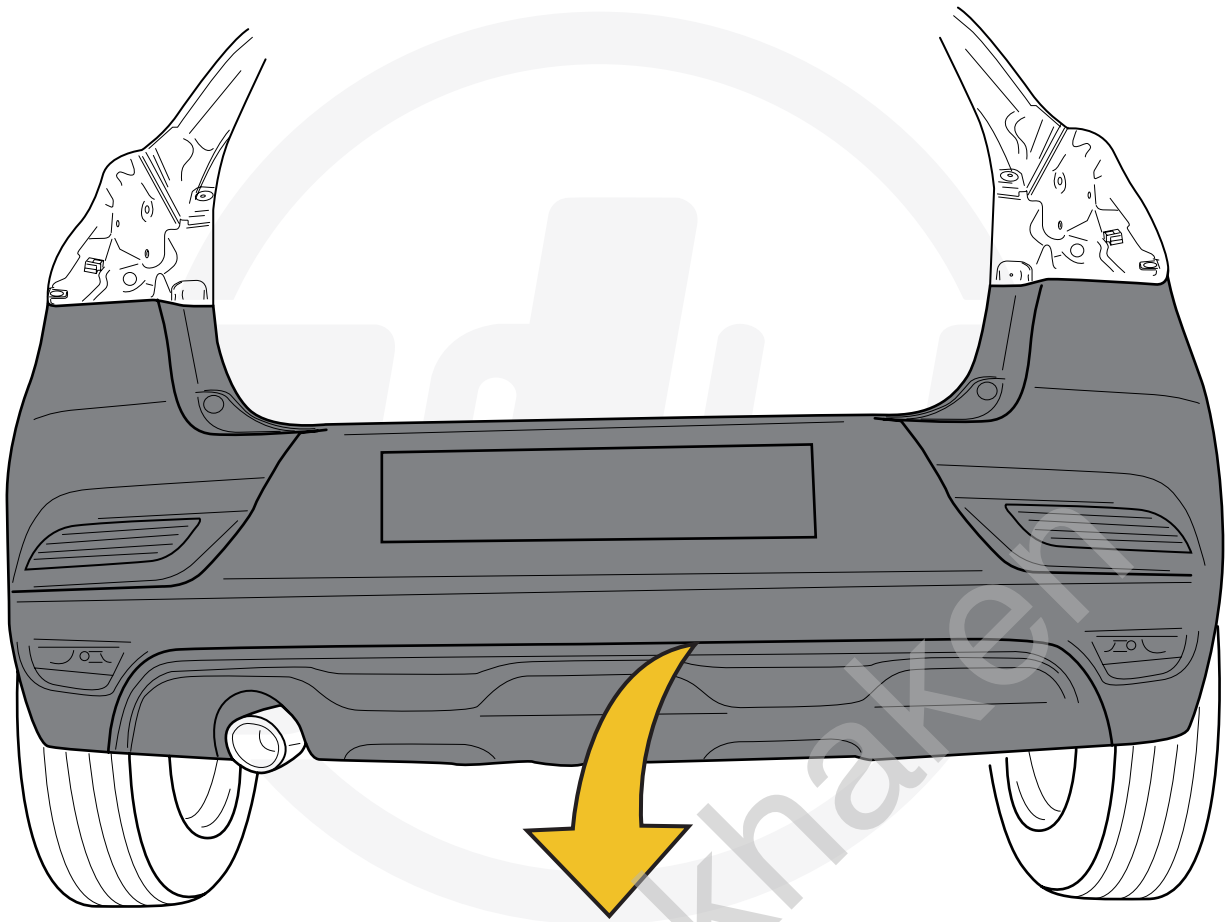


4

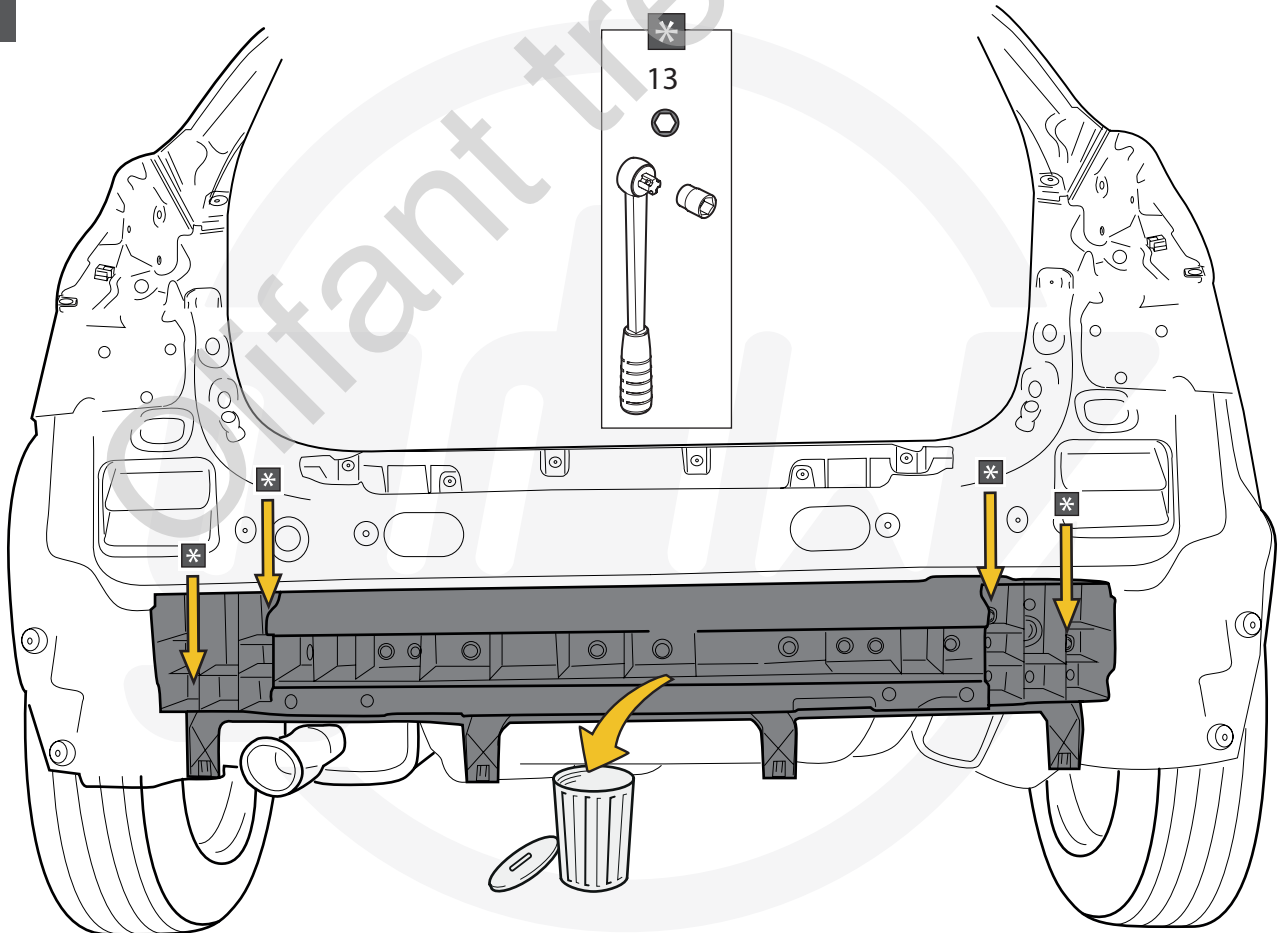


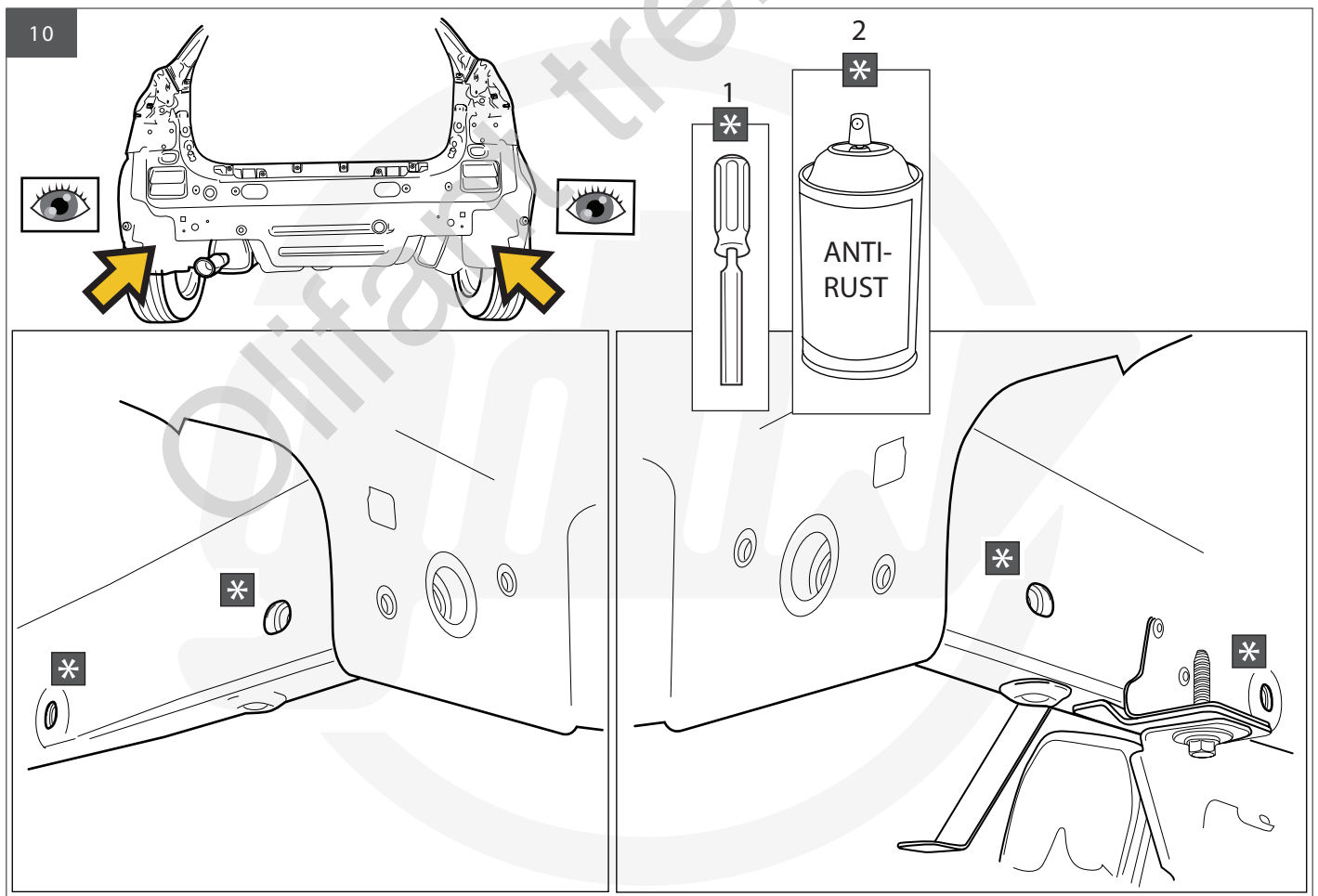
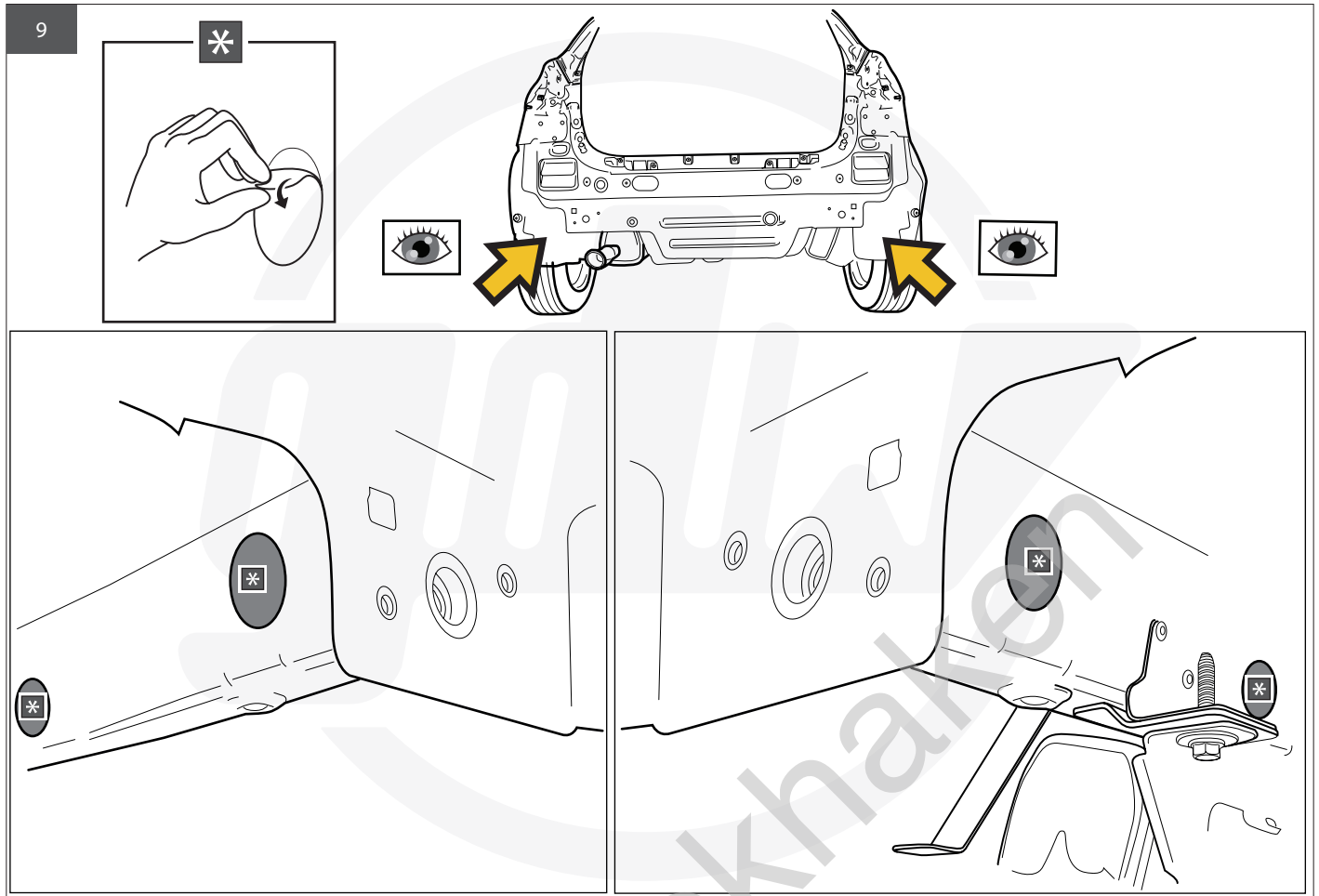


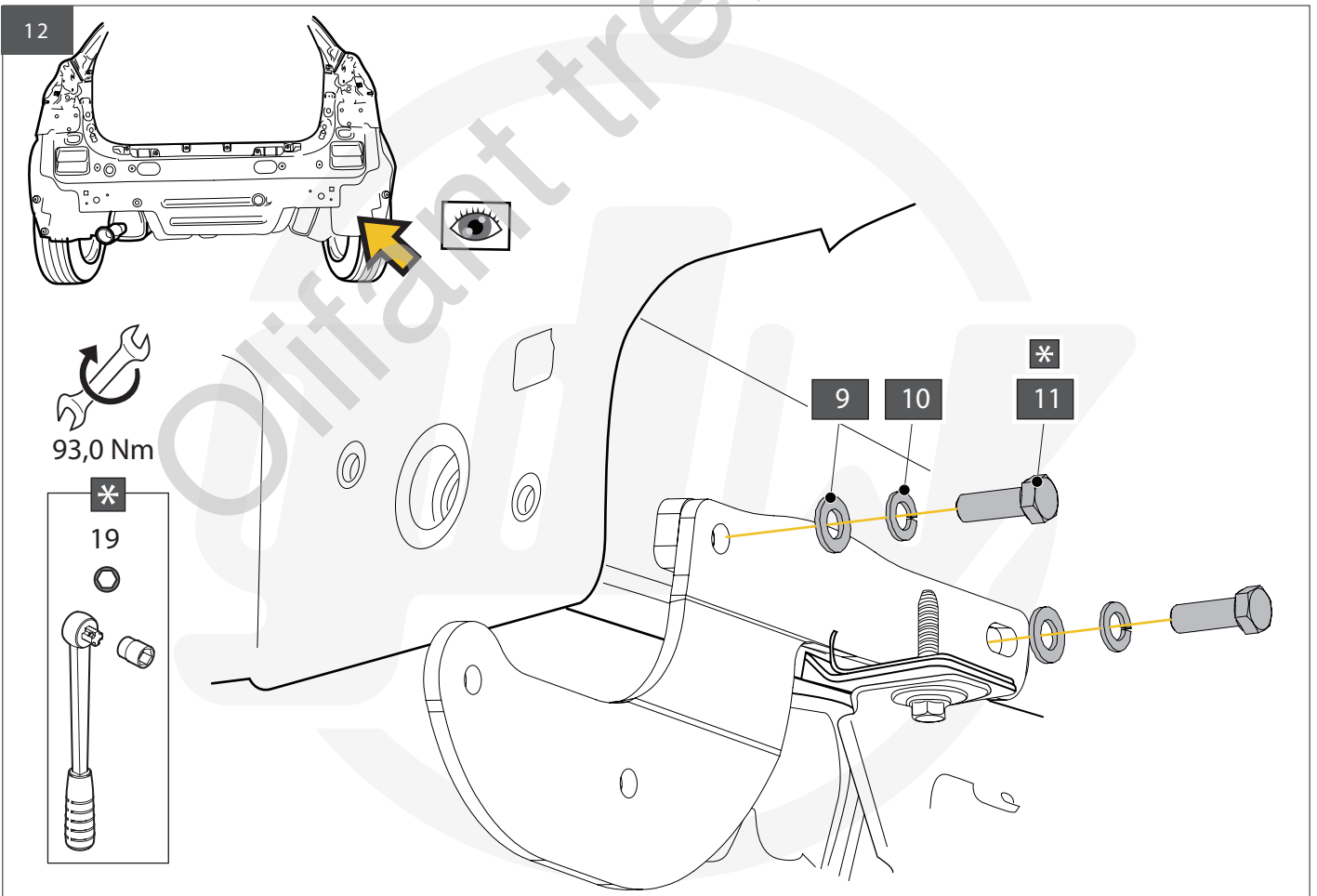
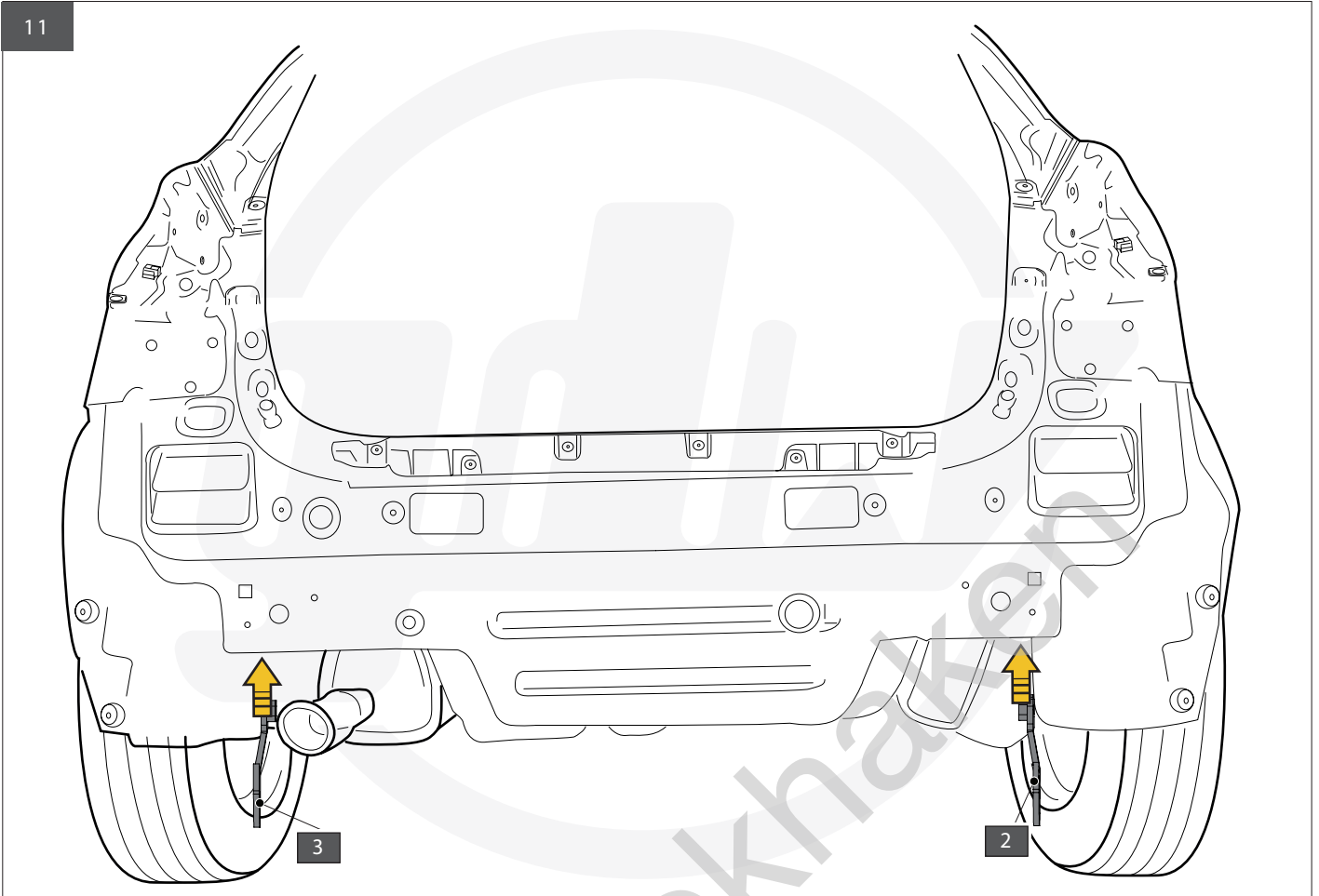
7



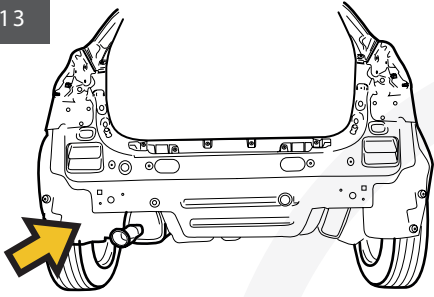
8



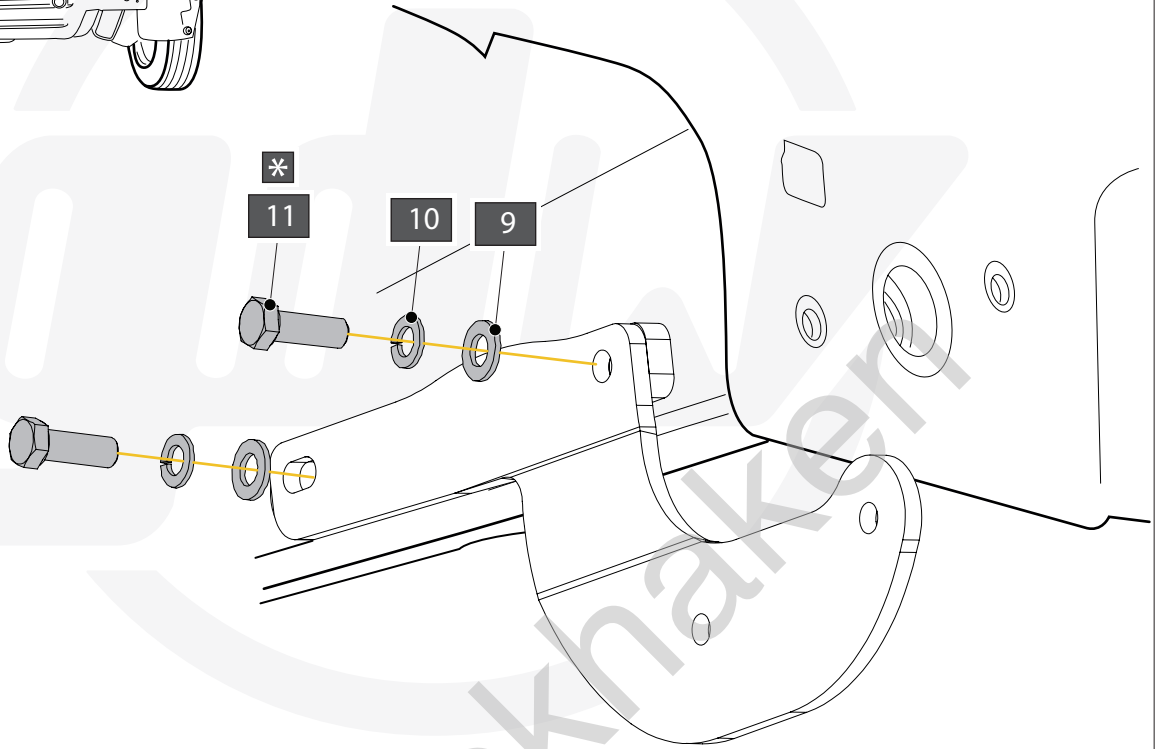
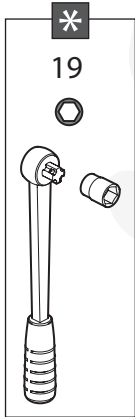




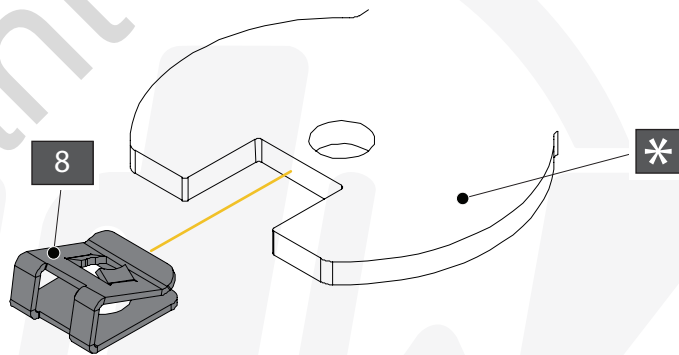
13



93,0 Nm




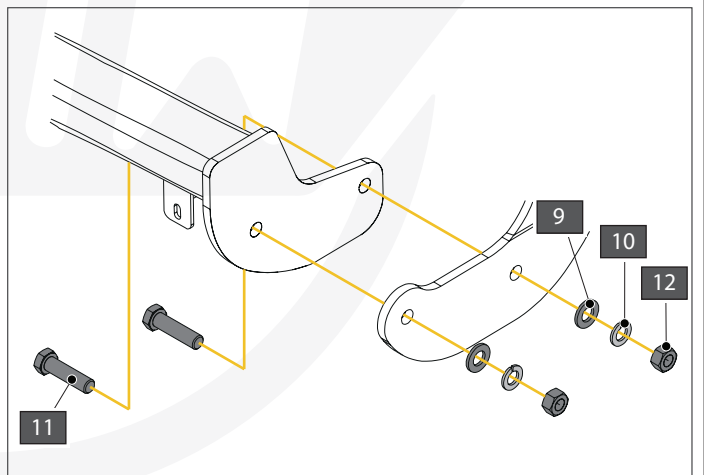
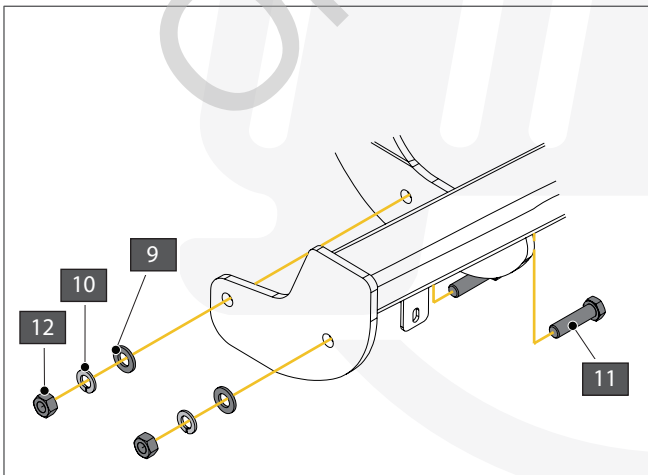
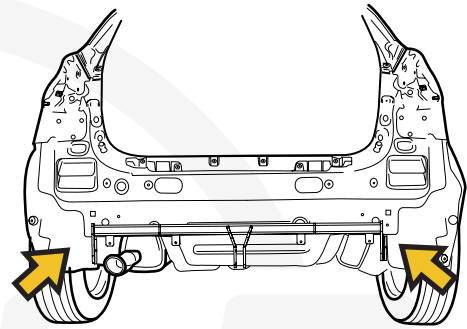
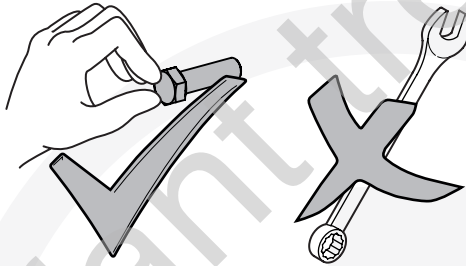
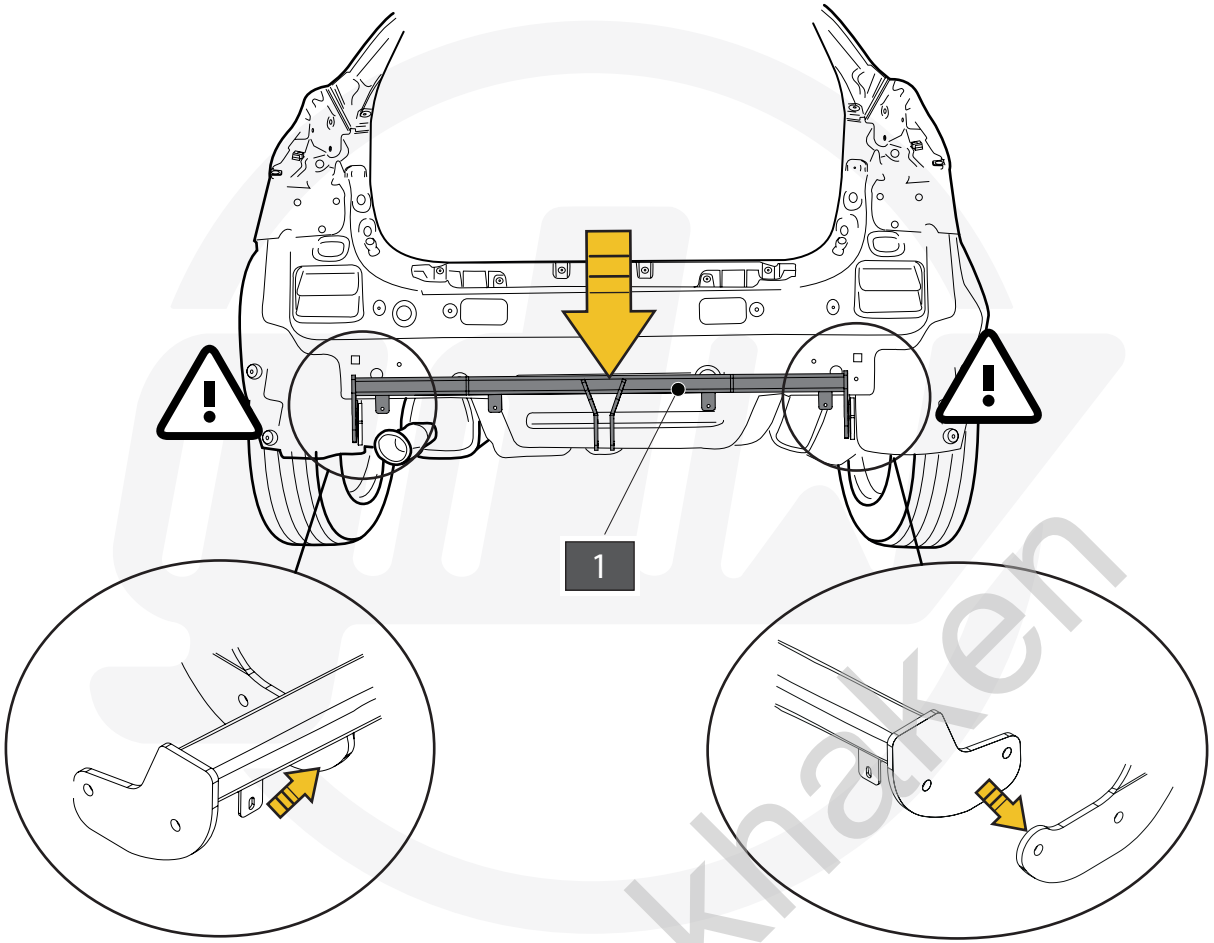
14

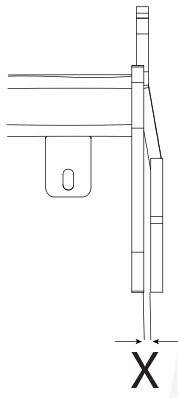


4  X2 GDW REF. 4

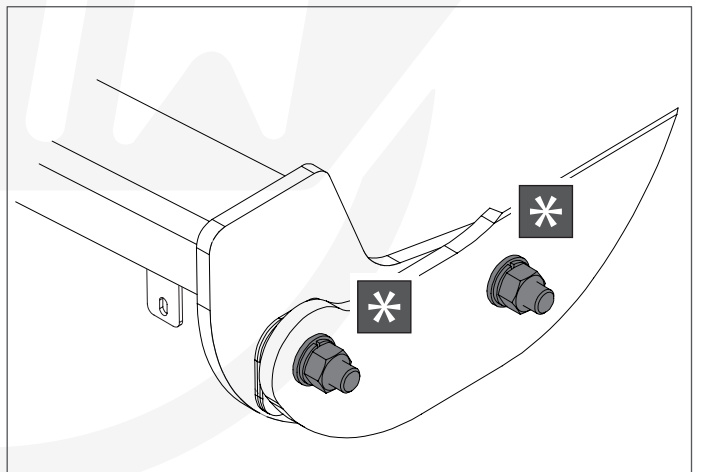
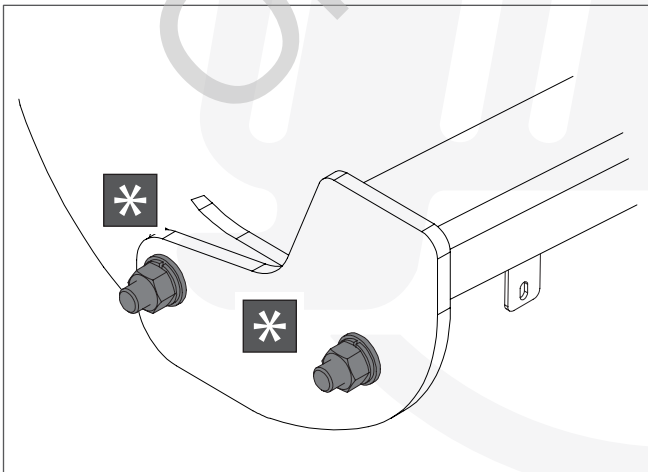
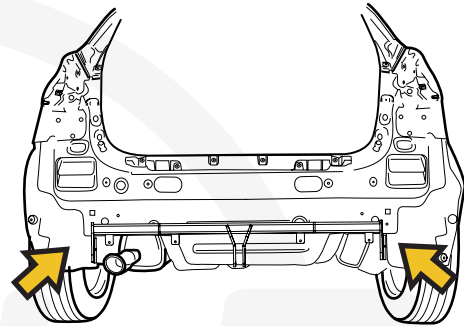
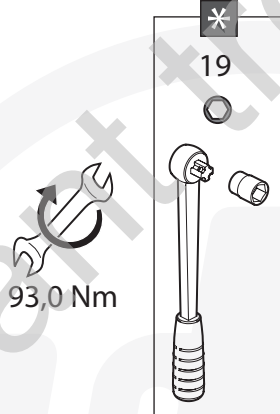
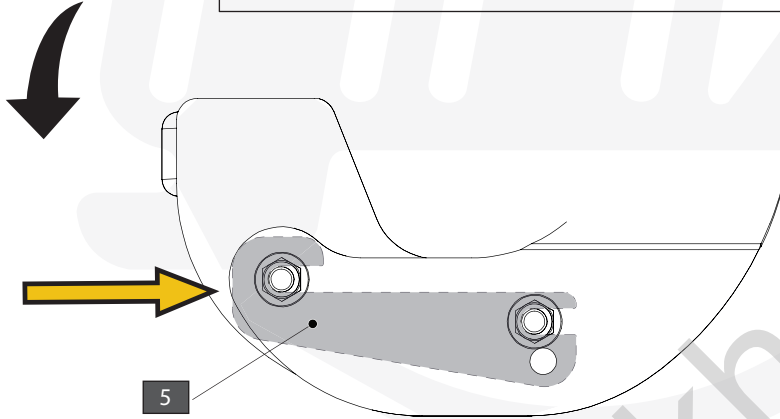
6  X1 GDW REF. 6

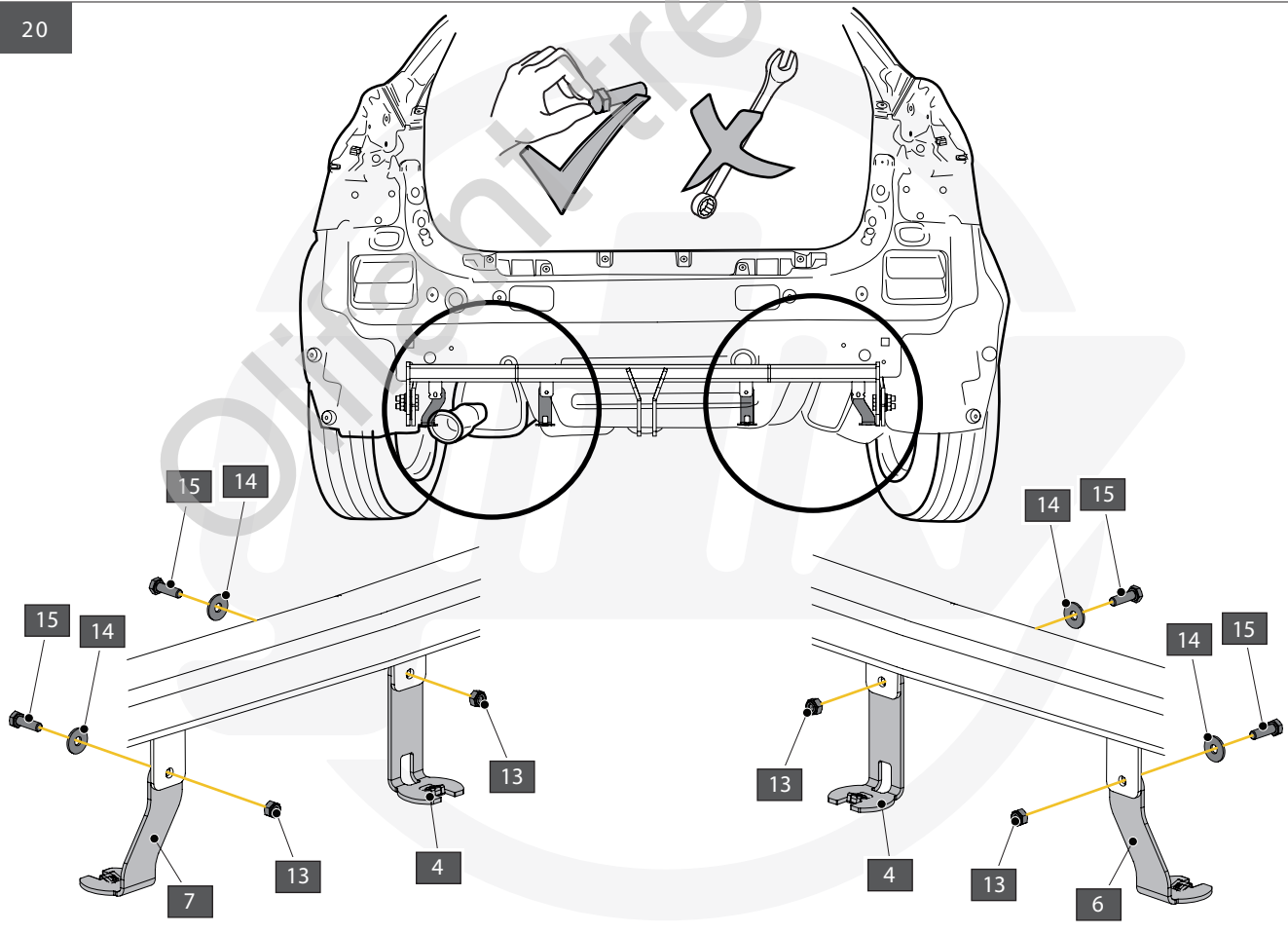
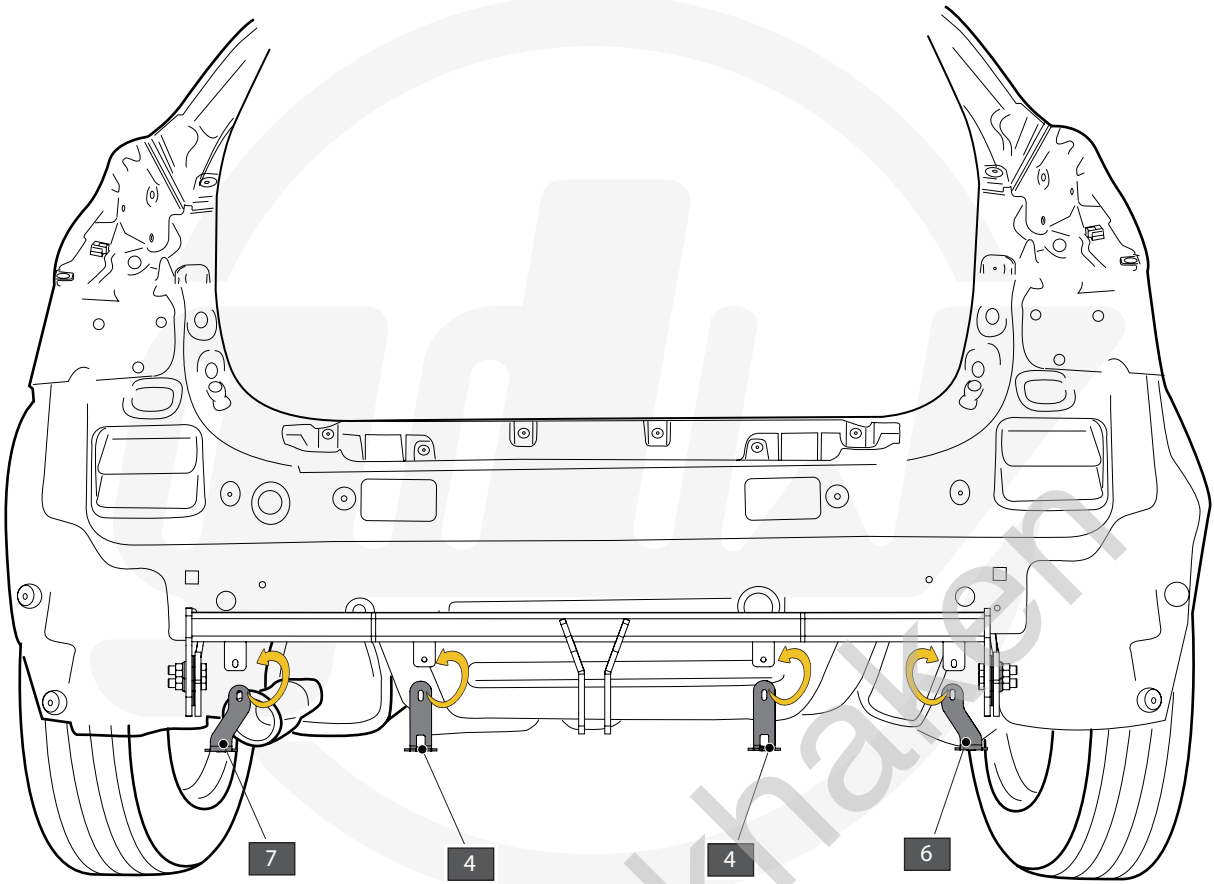
7  X1 GDW REF. 7



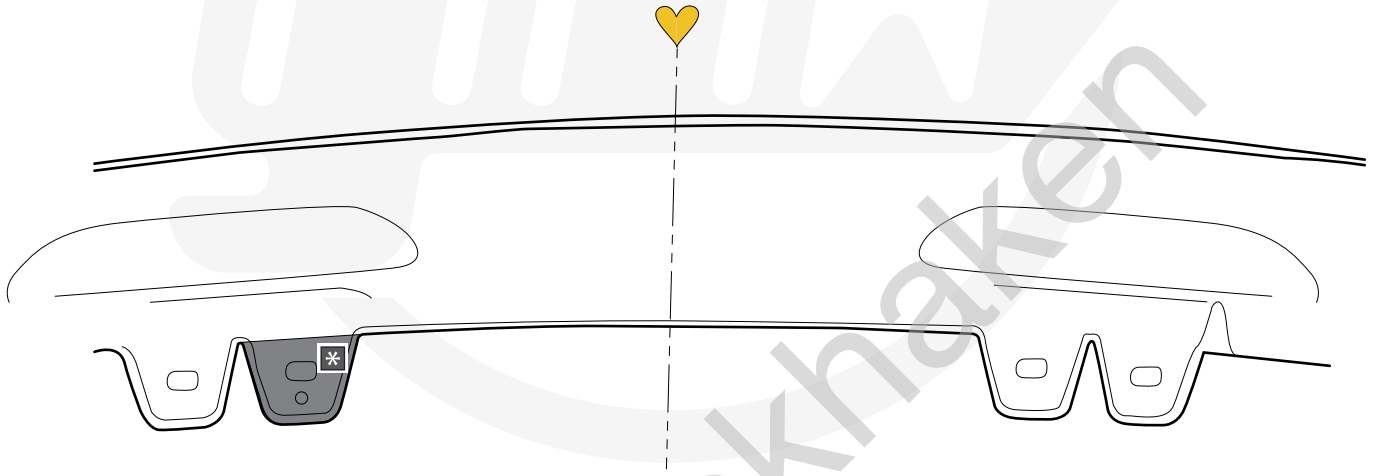
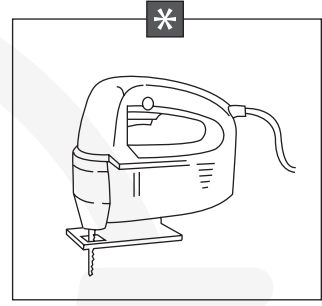
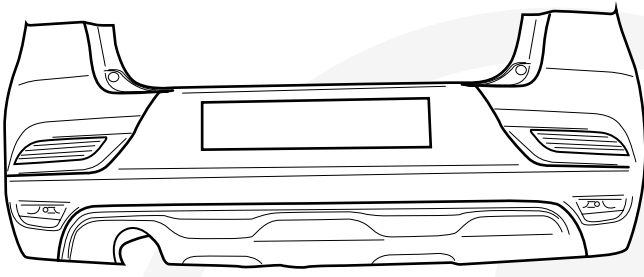


$X < 1 \text{ mm}$	$1 \leq X < 2,5 \text{ mm}$	$2,5 \leq X < 4 \text{ mm}$	$4 \leq X < 5,5 \text{ mm}$
$5,5 \leq X < 7 \text{ mm}$	$7 \leq X < 8,5 \text{ mm}$	$8,5 \leq X < 10 \text{ mm}$	

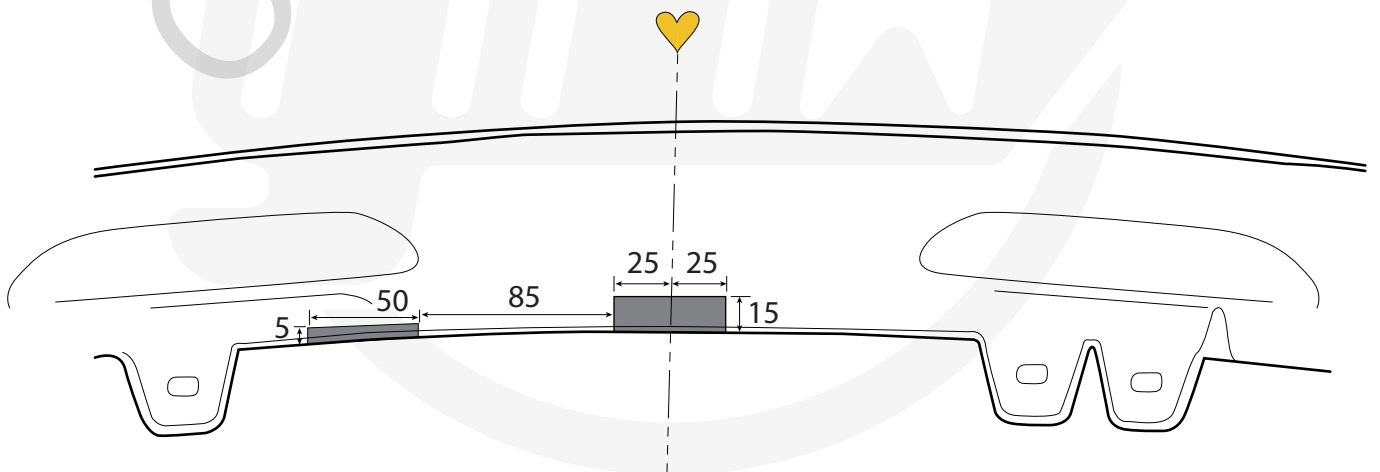
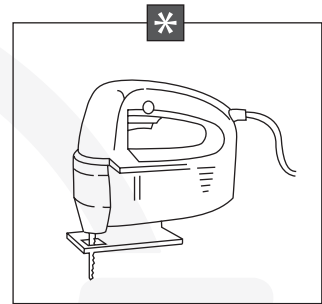
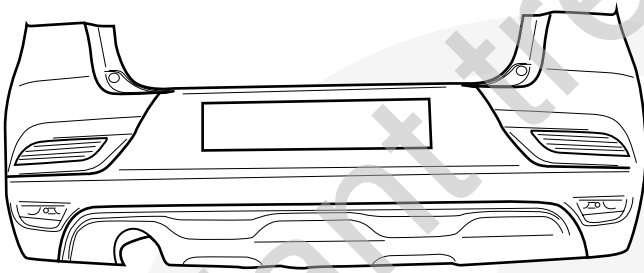


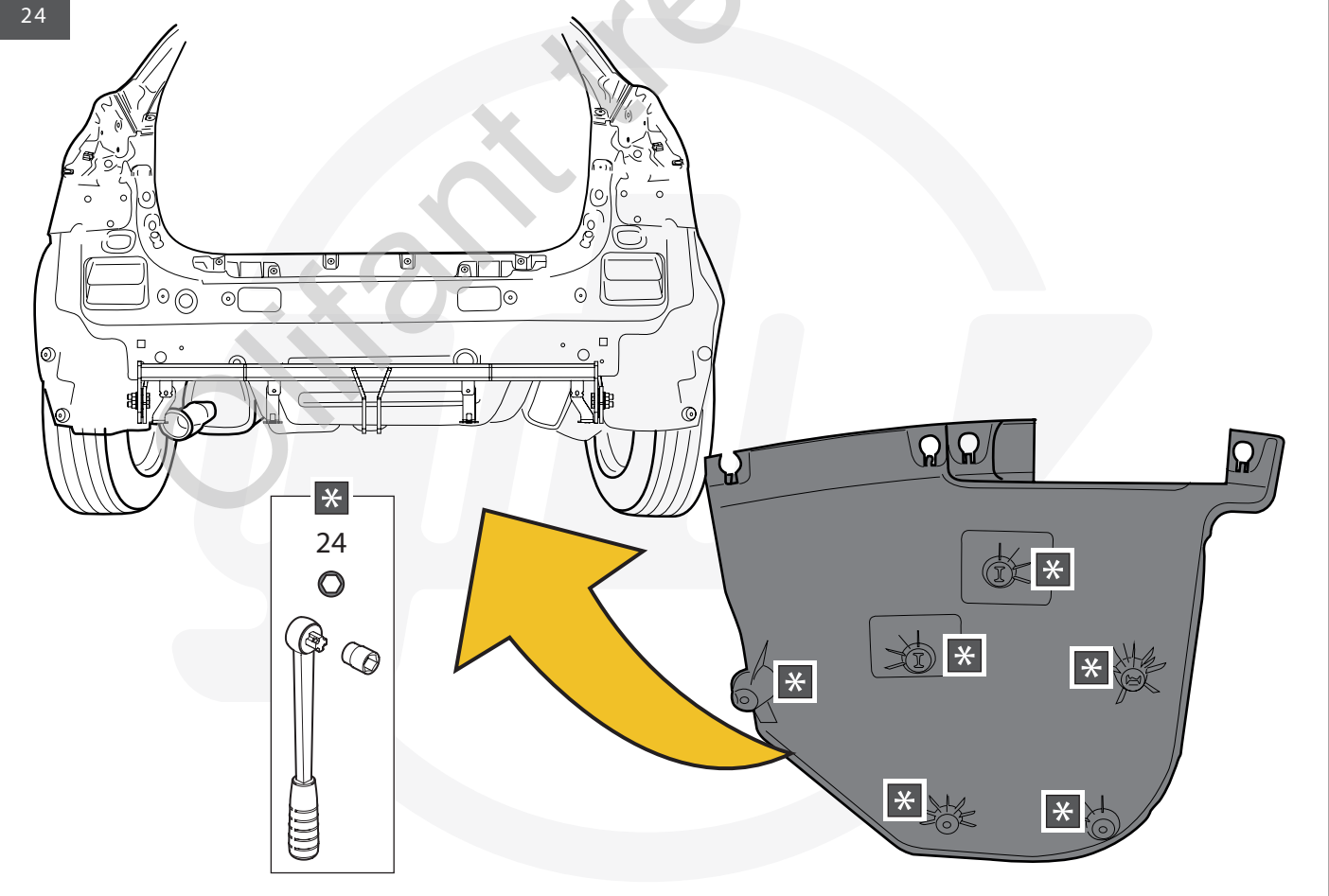
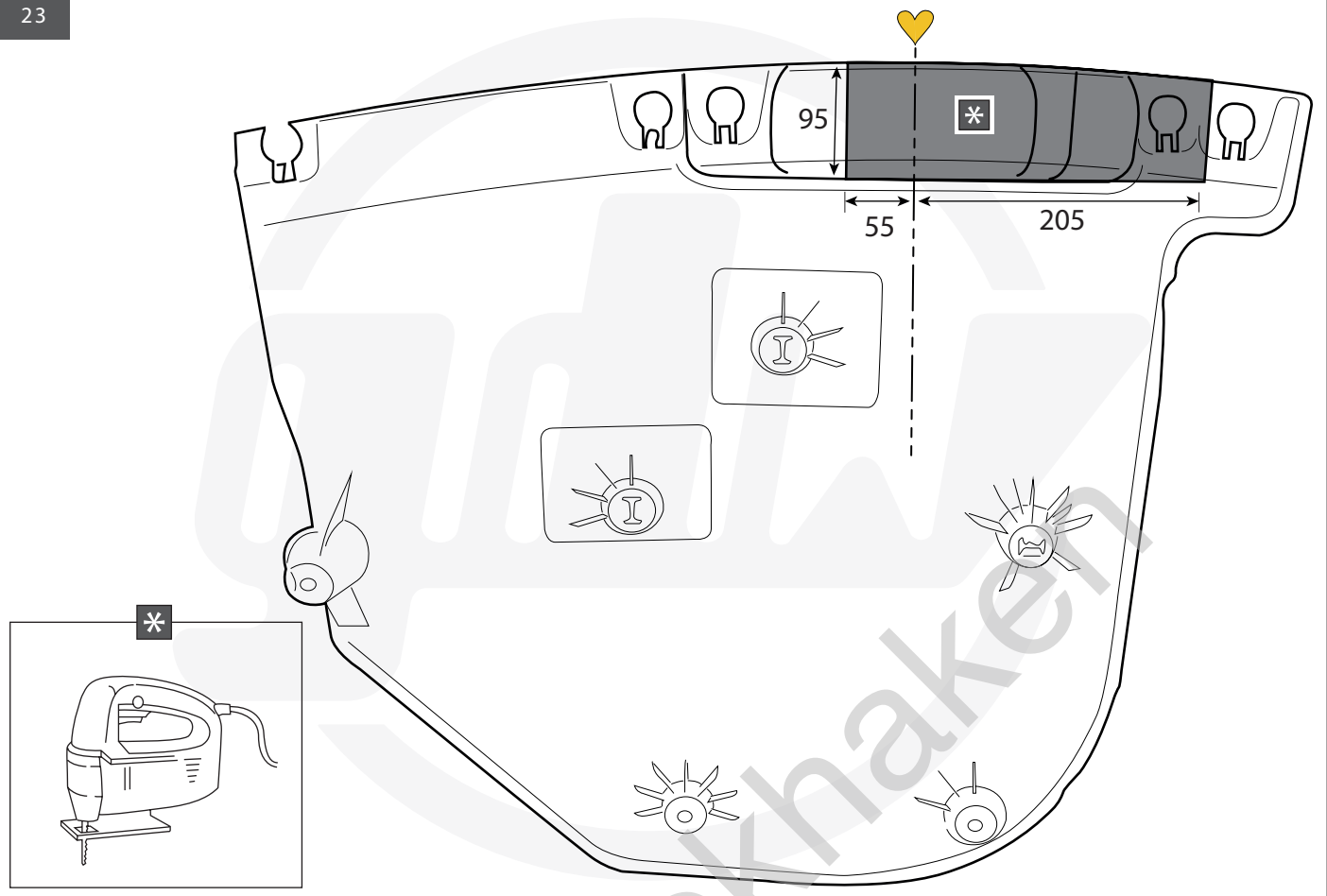


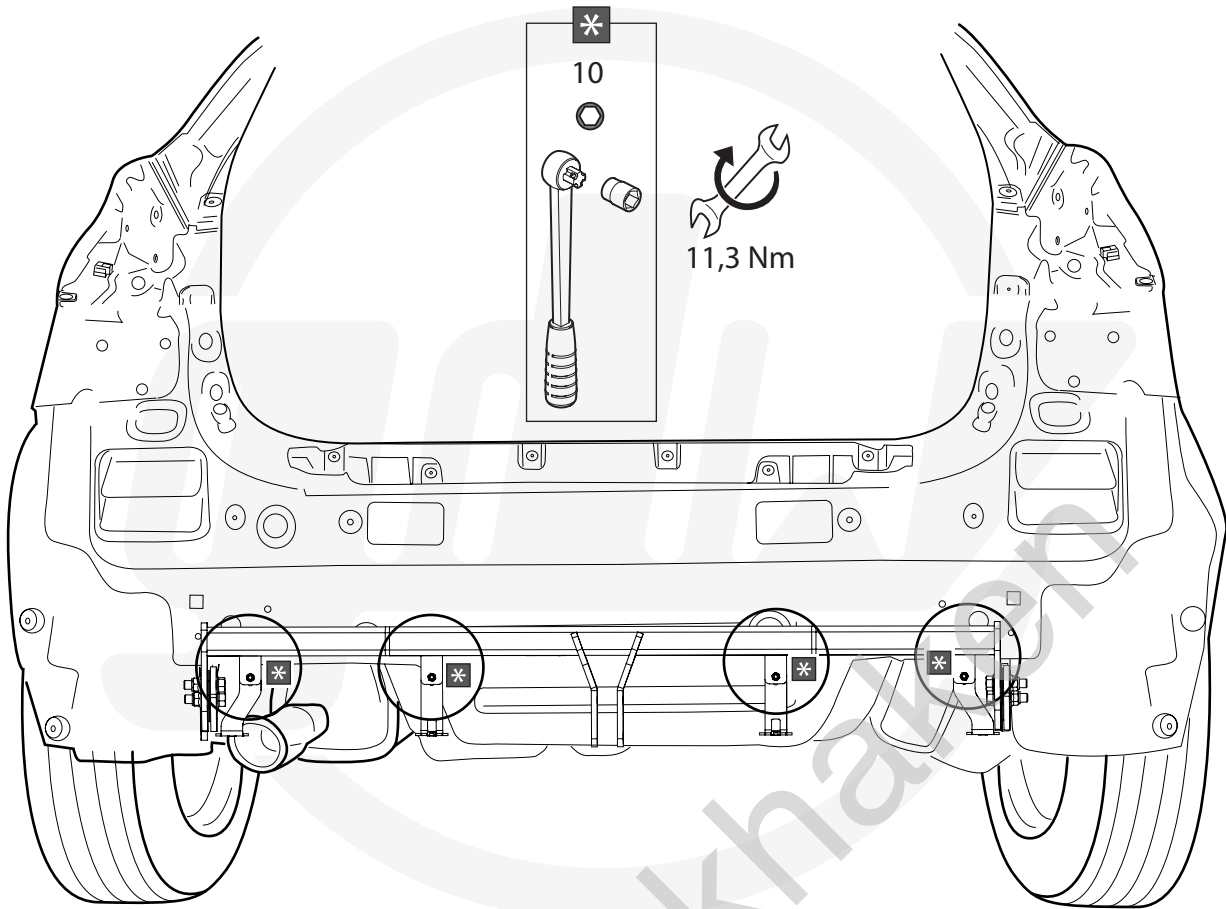
21



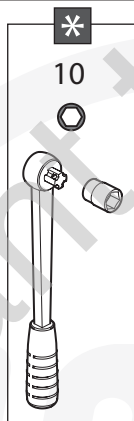
22



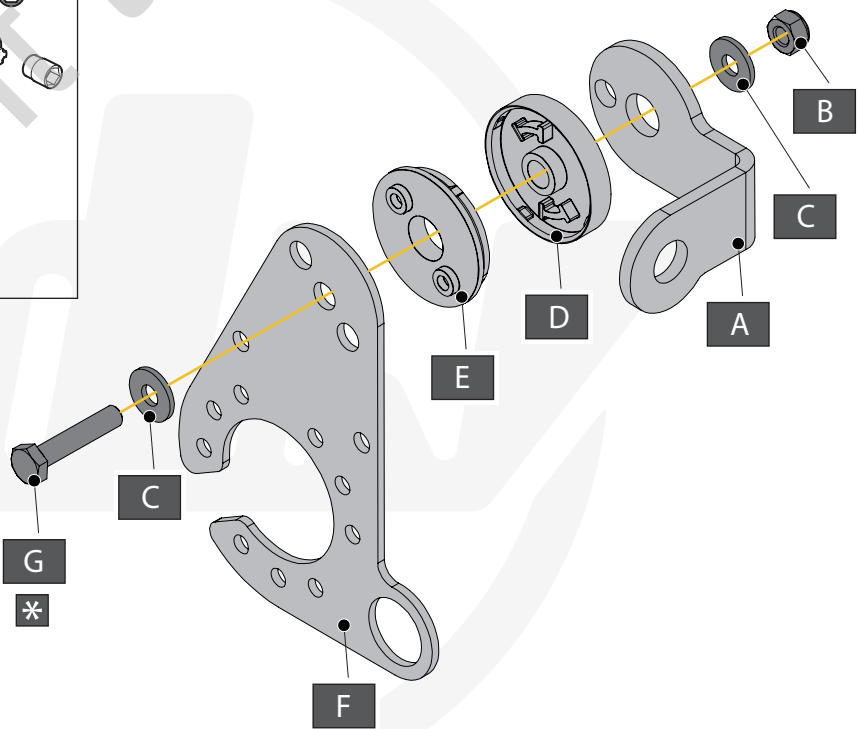




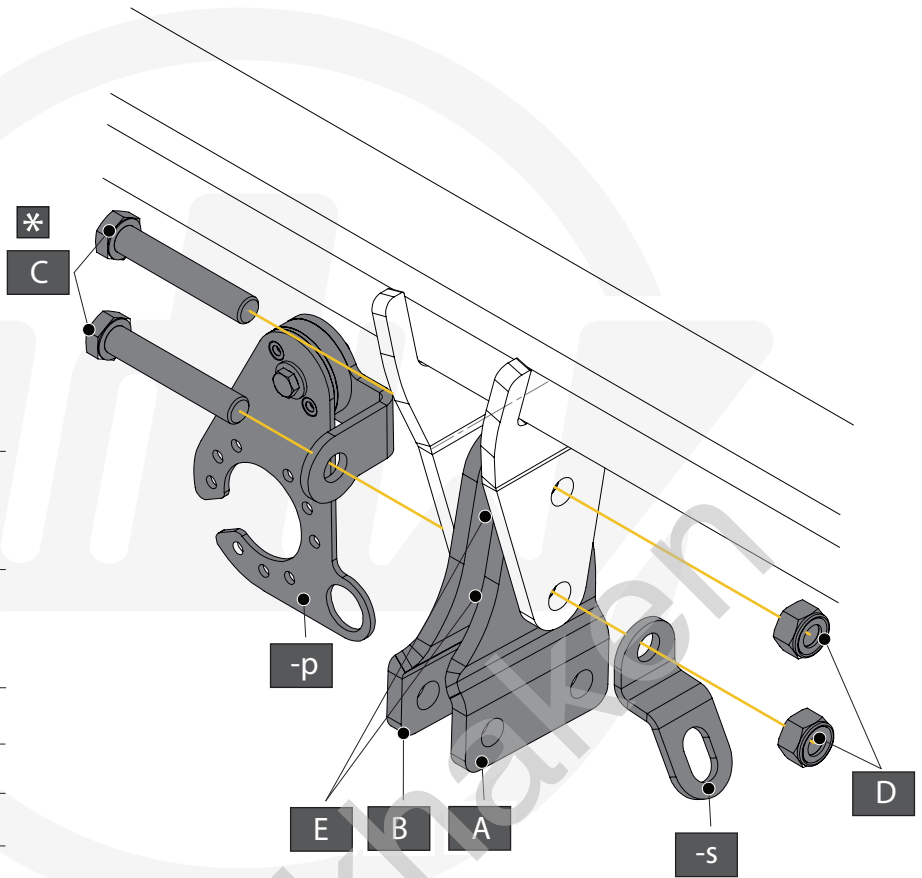
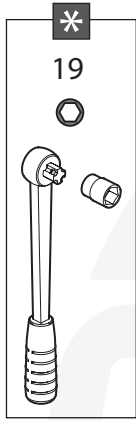
2,0 Nm



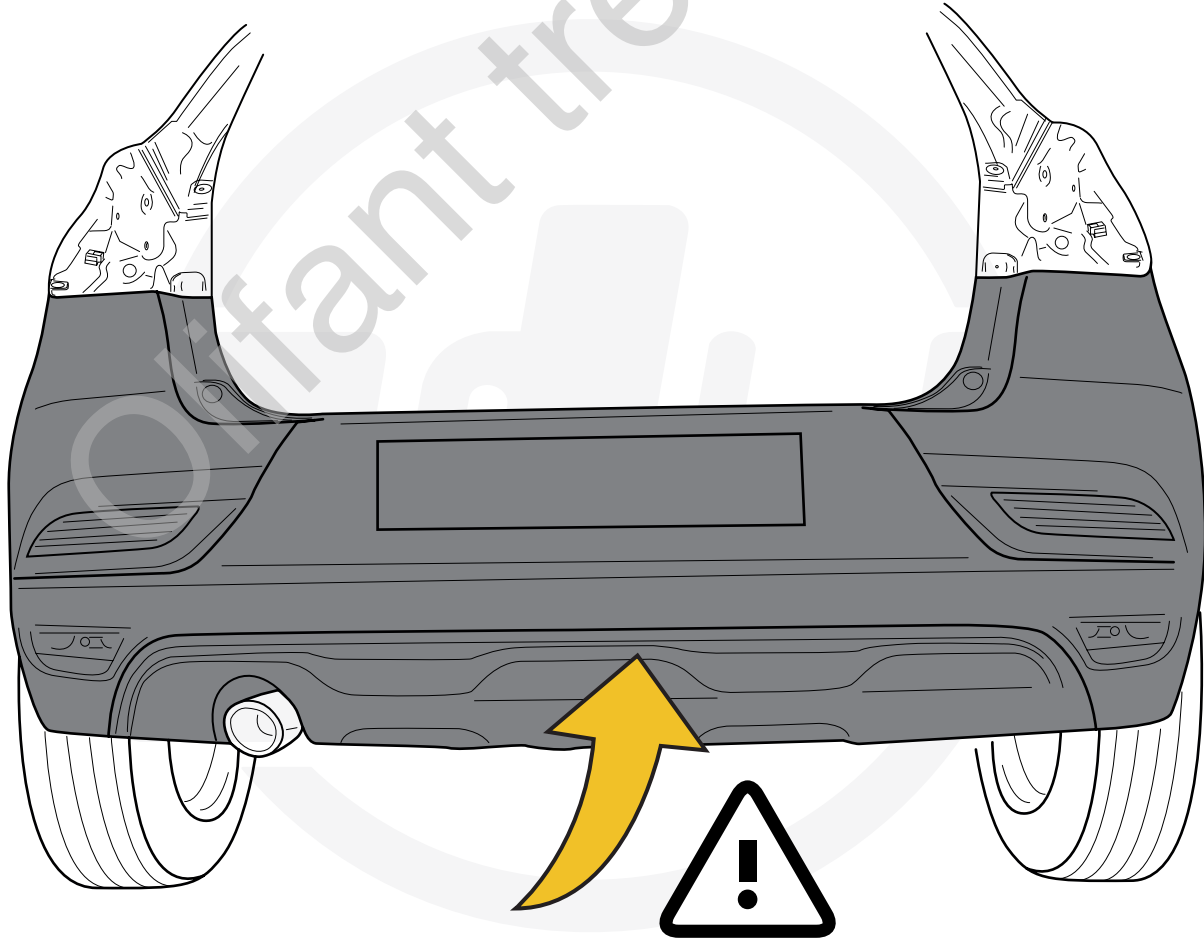
A		X1	GDW REF. 908.095
B		X1	DIN985-M6
C		X2	6,2 X 15,4 X 1,6 (NYLON)
D		X1	GDW REF. 718.16.002
E		X1	GDW REF. 718.16.003
F		X1	GDW REF. 908.094
G		X1	DIN933-M6 X 30

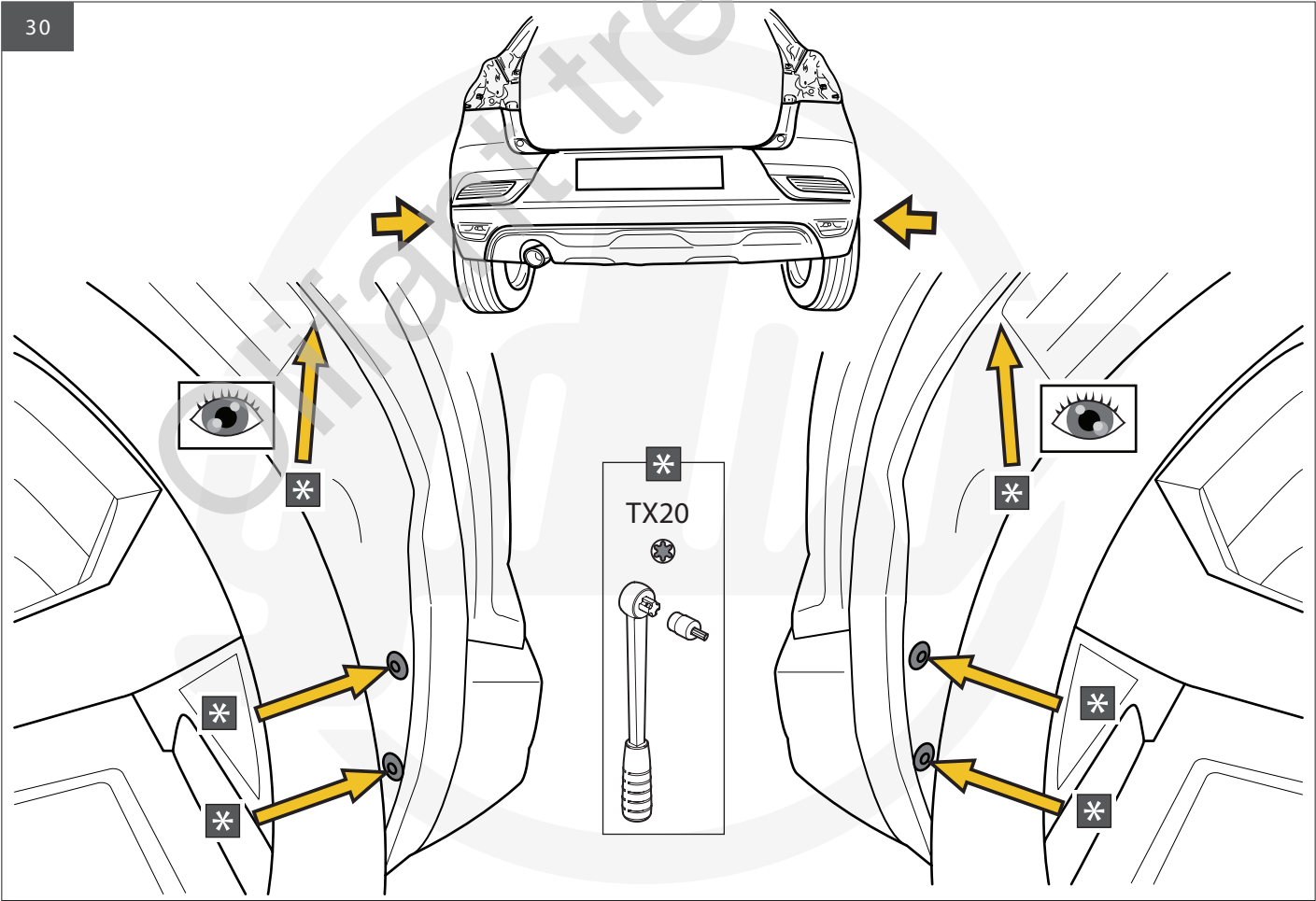
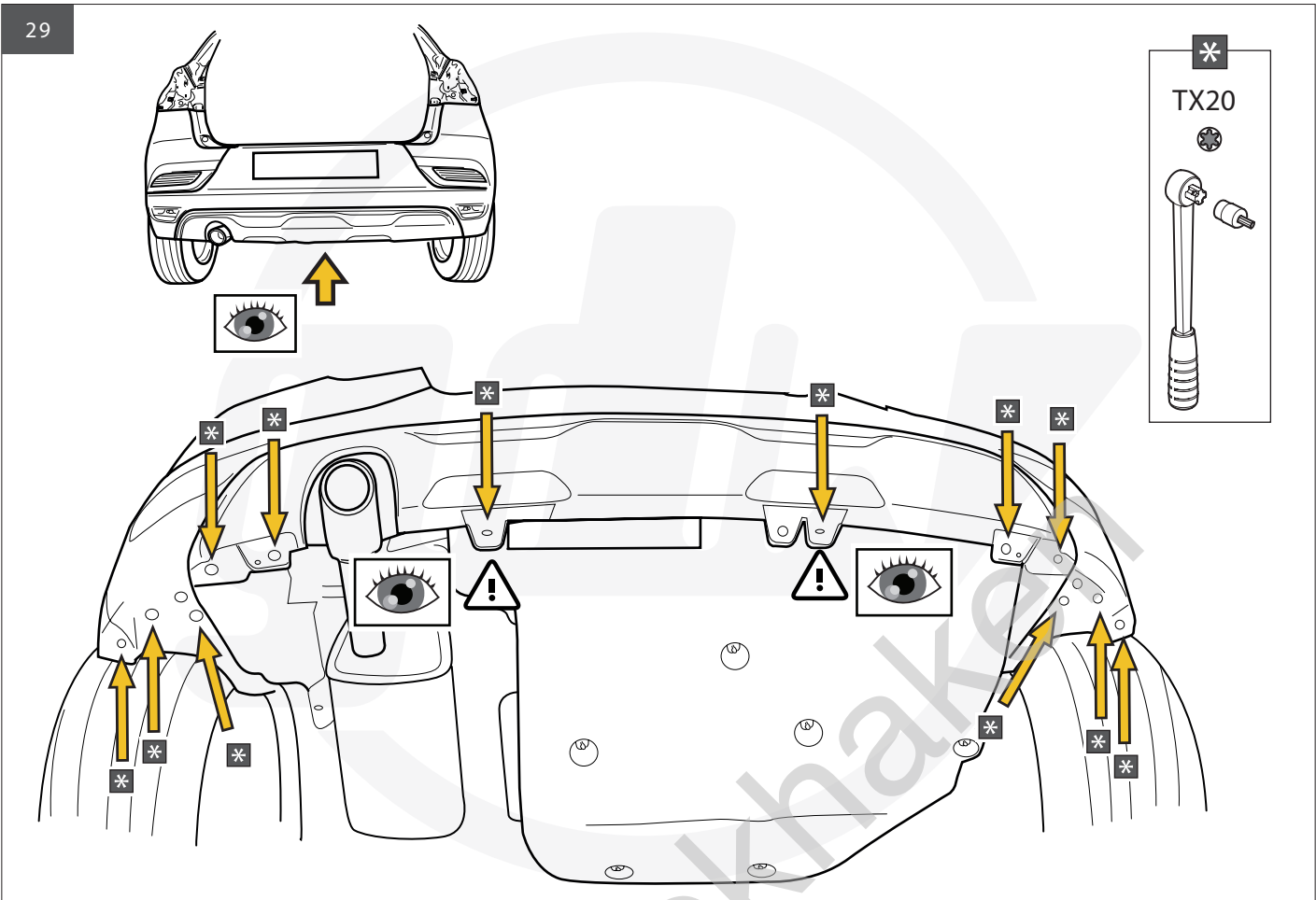


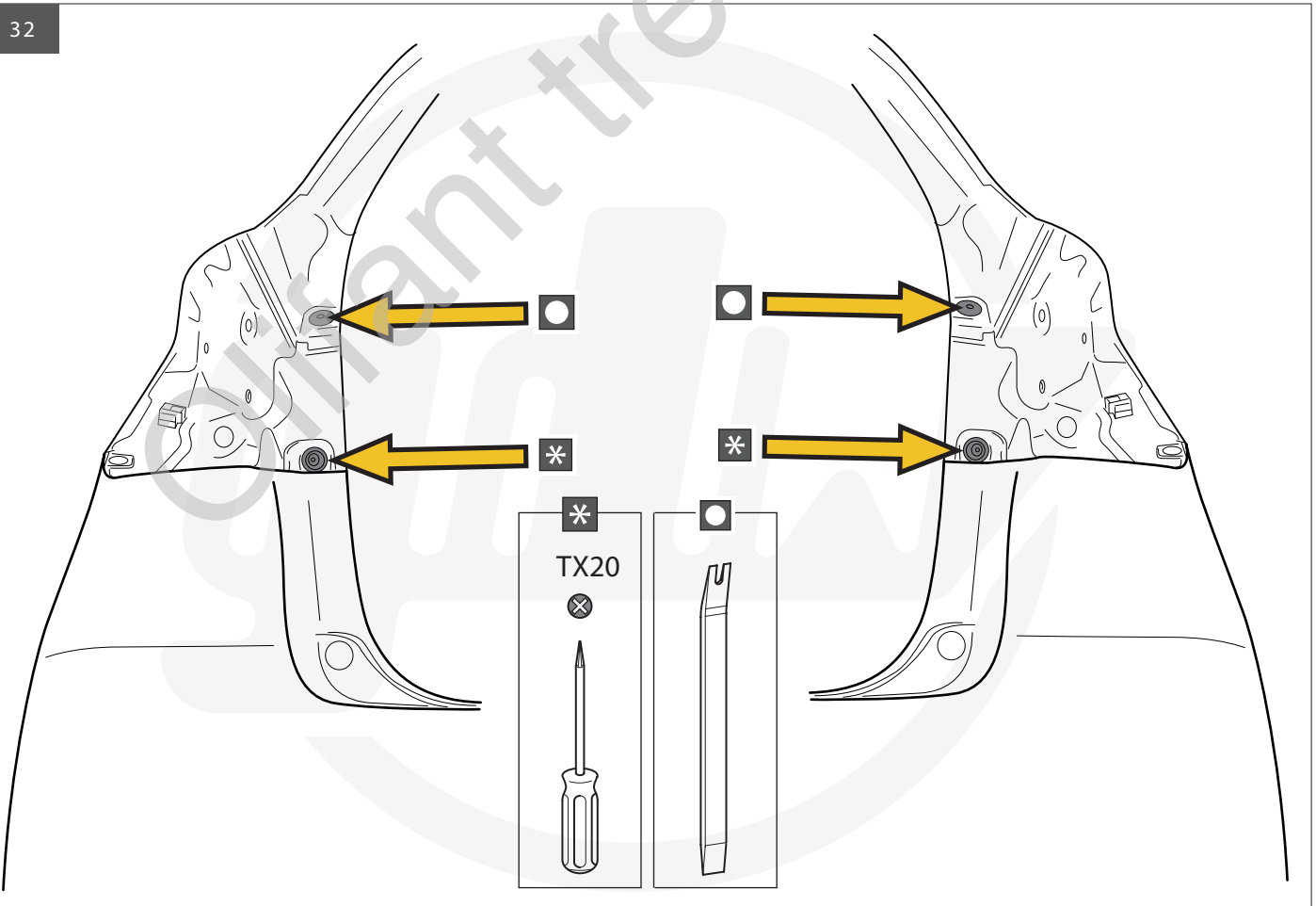
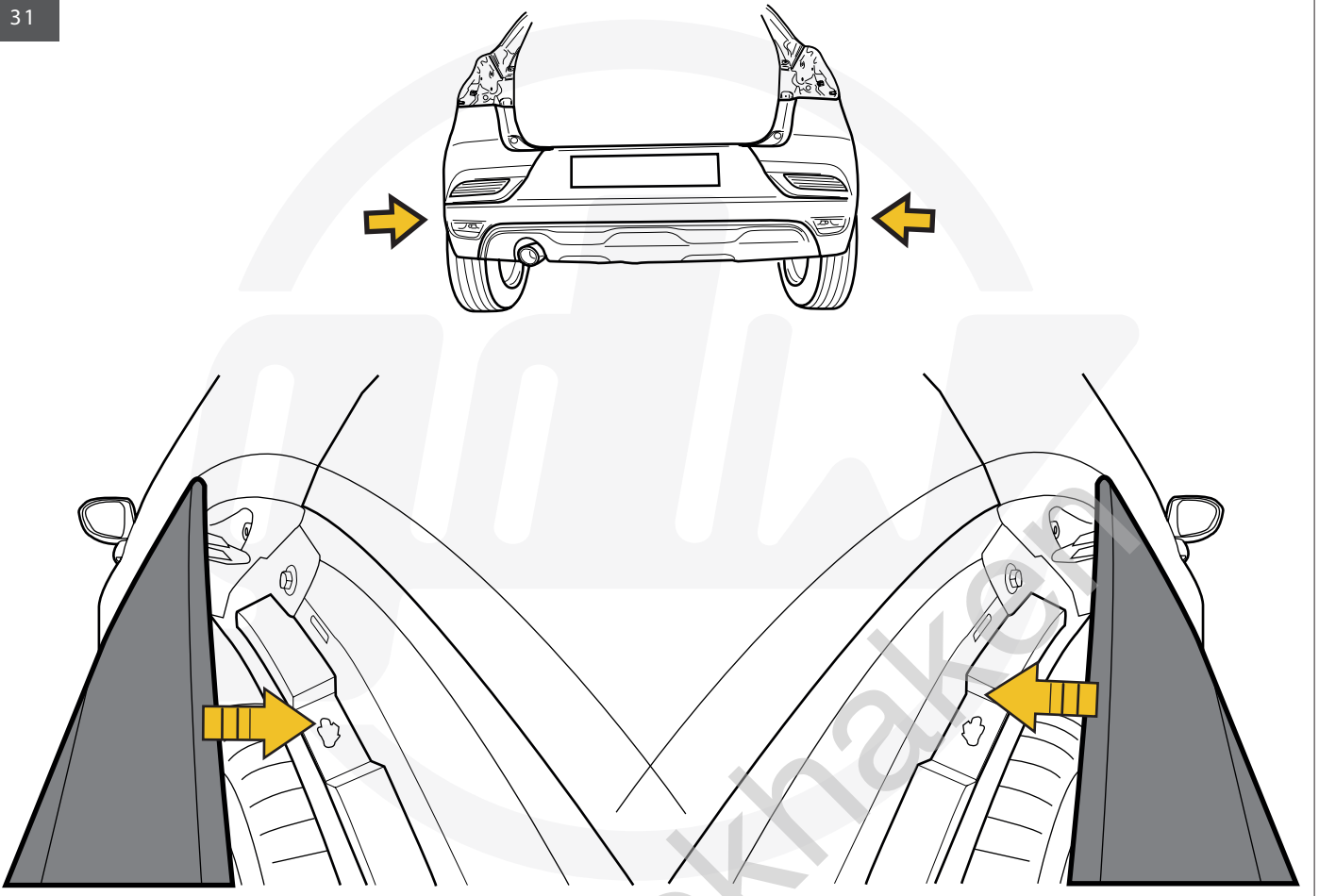
93,0 Nm

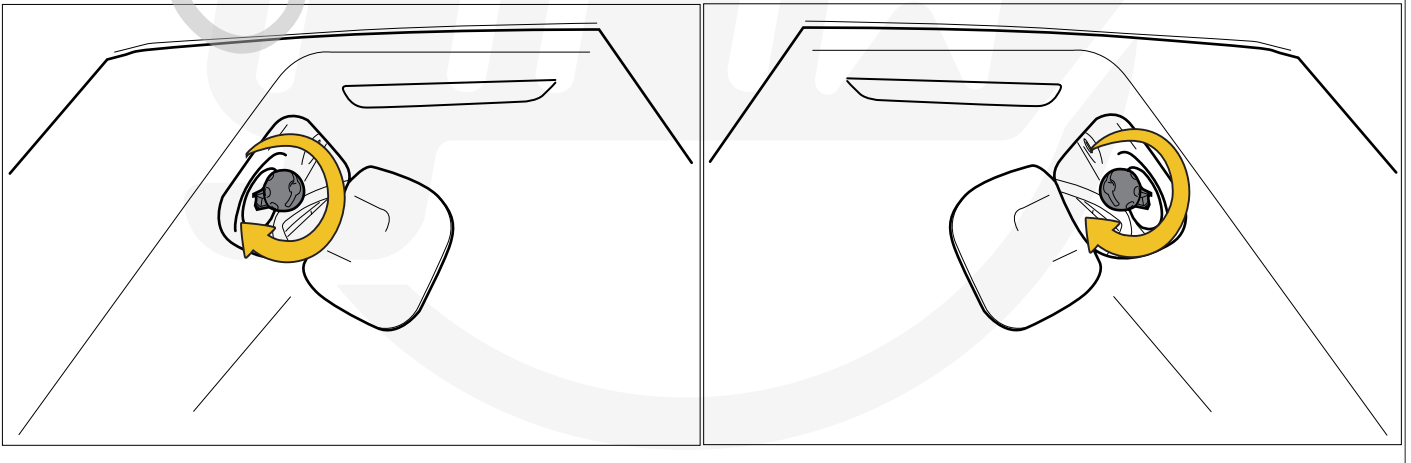
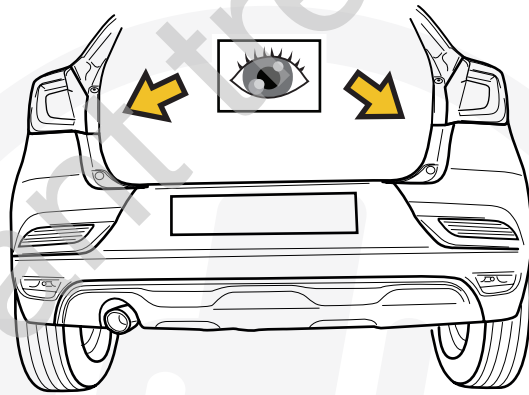
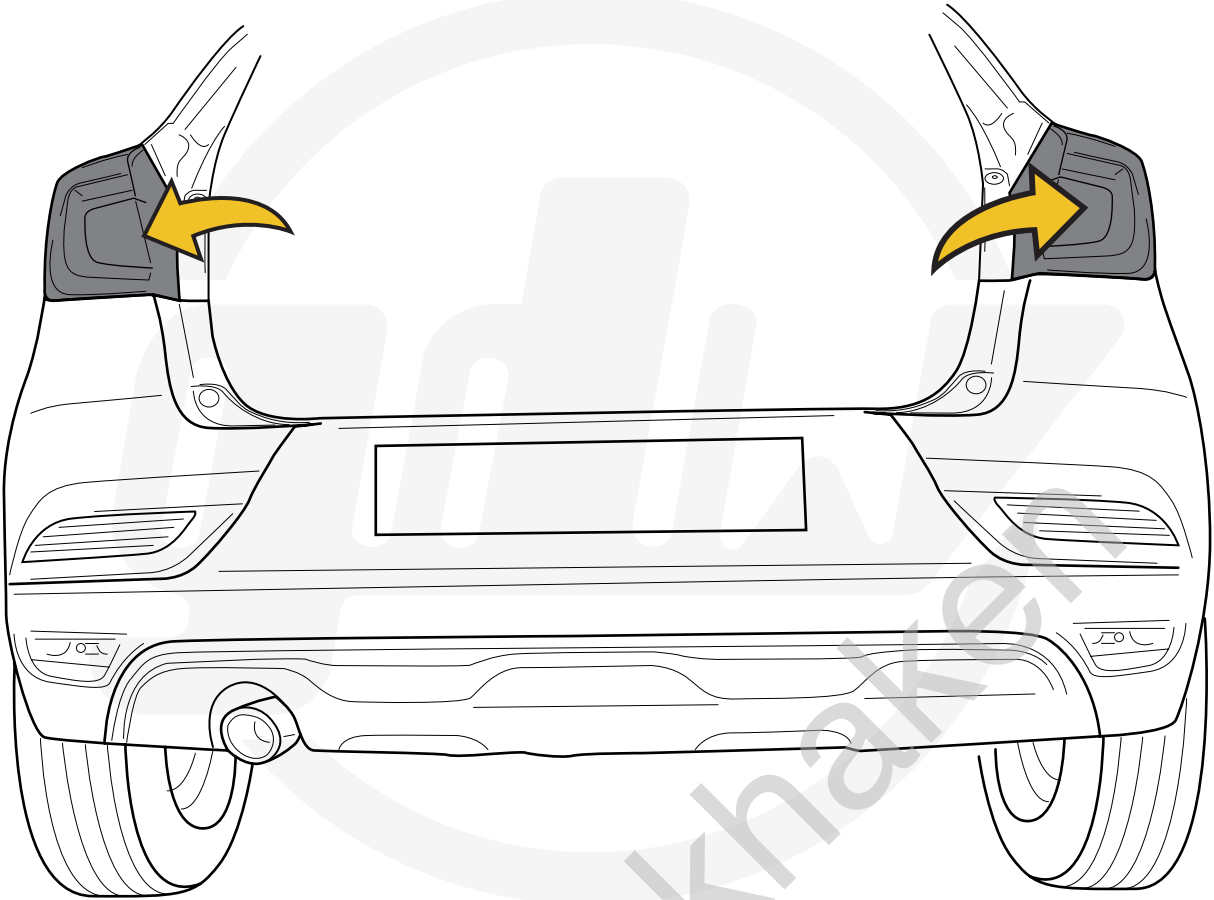


A		X1	GDW REF. 900.025
B		X1	GDW REF. 900.026
C		X2	DIN931 M12 X 70
D		X2	DIN985 M12
E		X2	GDW REF. 900.011
-S		X1	GDW REF. 900.053

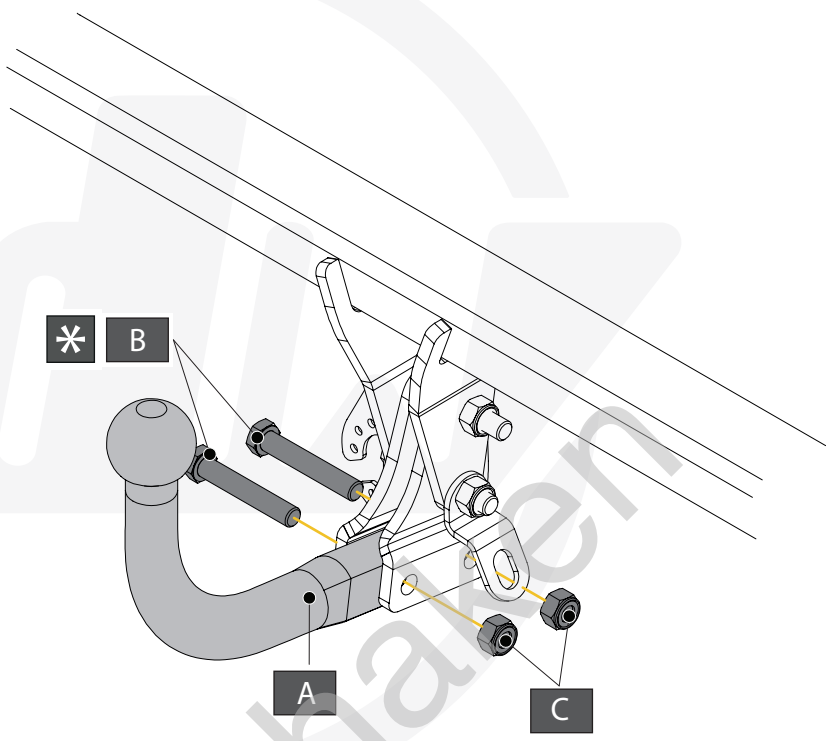
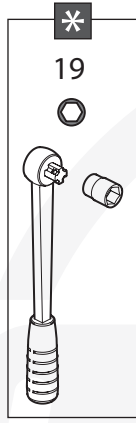








93,0 Nm



A		X1	944.H035
B		X2	DIN931-M12 X 70
C		X2	DIN985-M12

AFN Opties - Options - Options - Optionen - Opciones - Muligheder

