



## Peugeot Boxer 06/'06-

✓ STANDARD ✓ XL

## Fiat Ducato 06/'06-

✓ STANDARD ✓ XL ✗ E-DUCATO

## Citroën Jumper 06/'06-

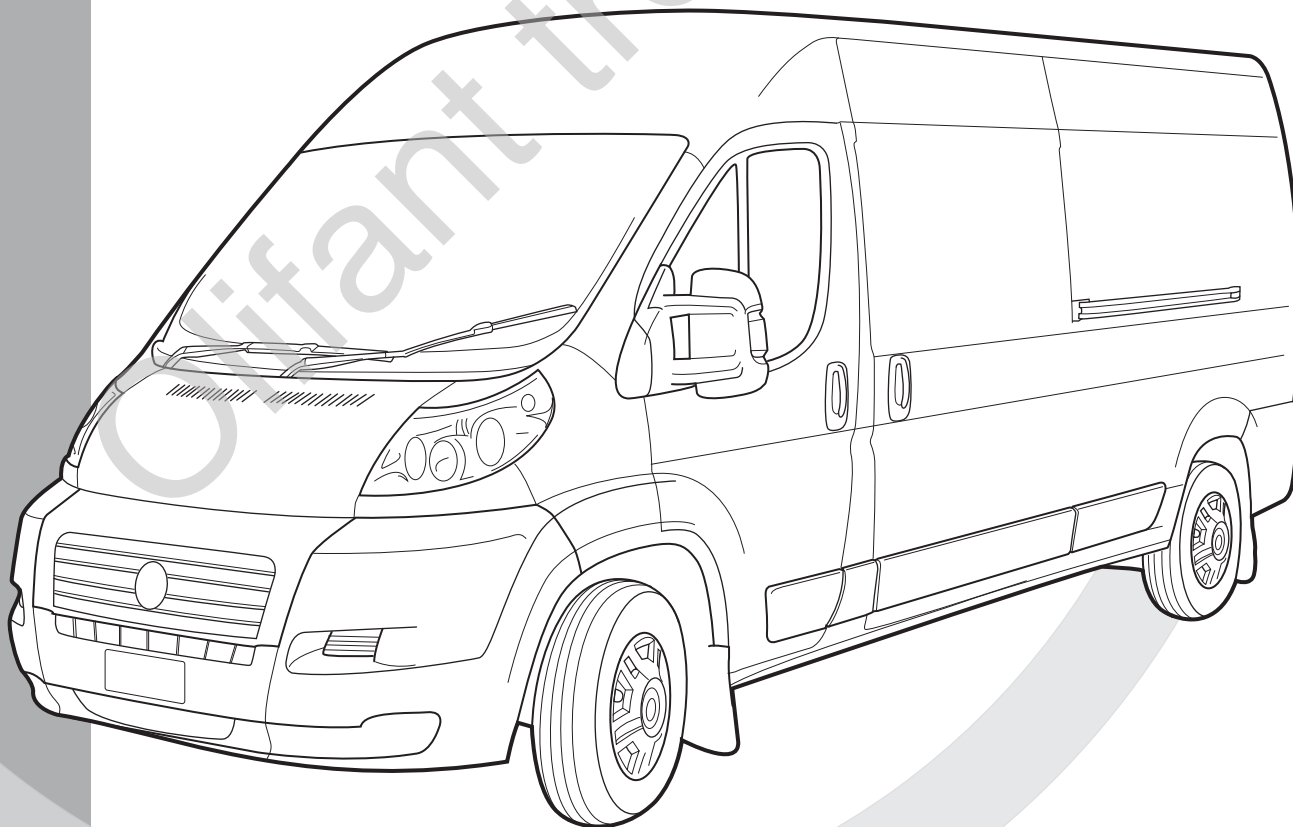
✓ STANDARD ✓ XL

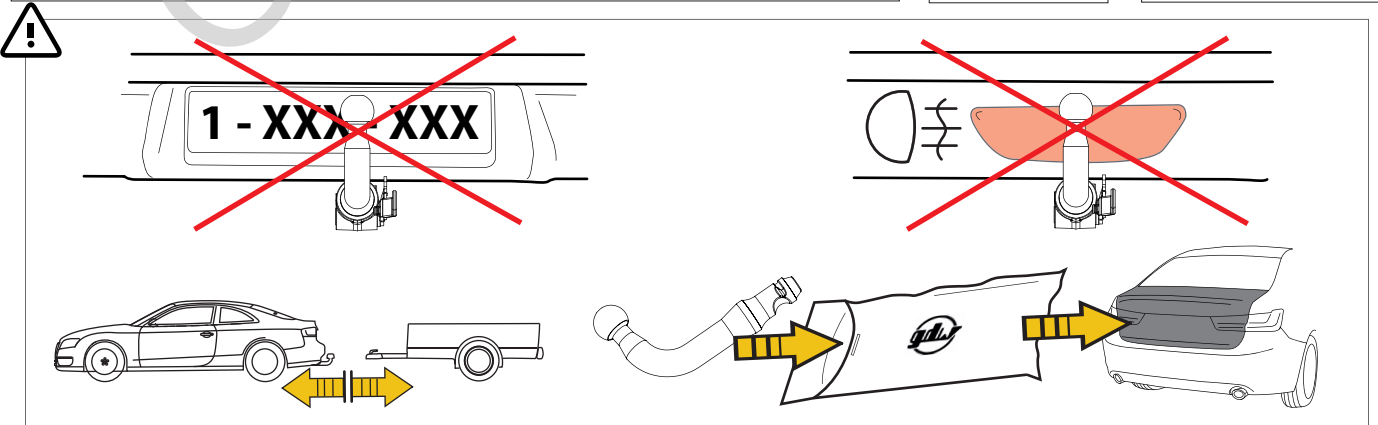
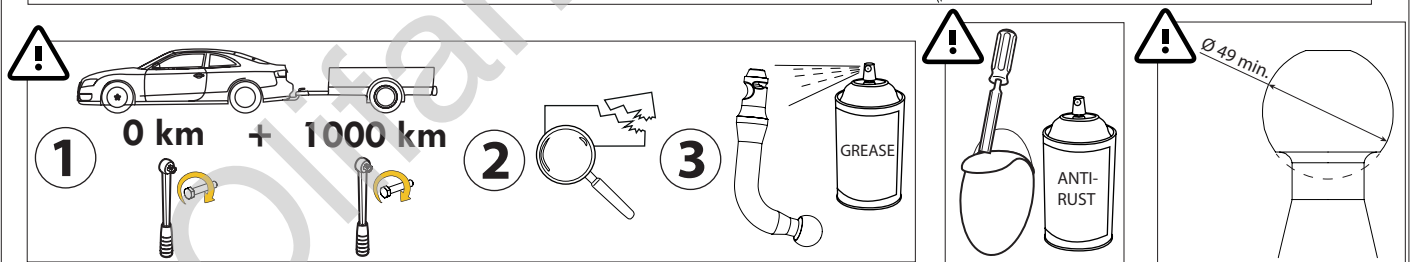
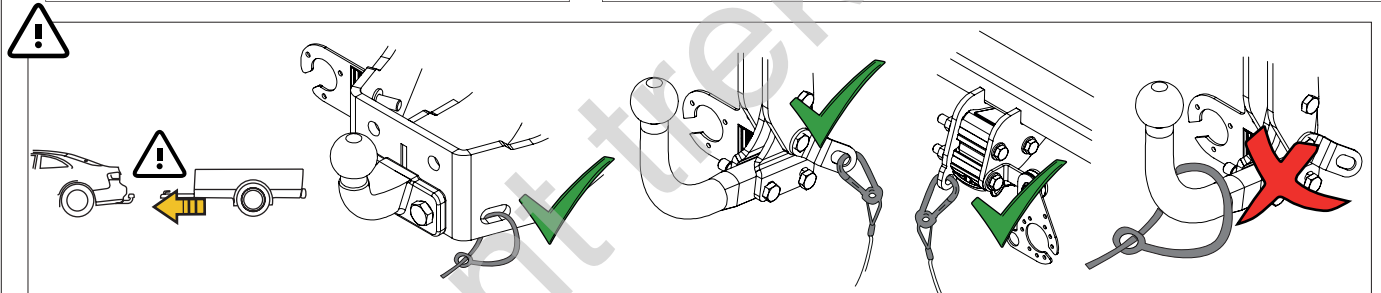
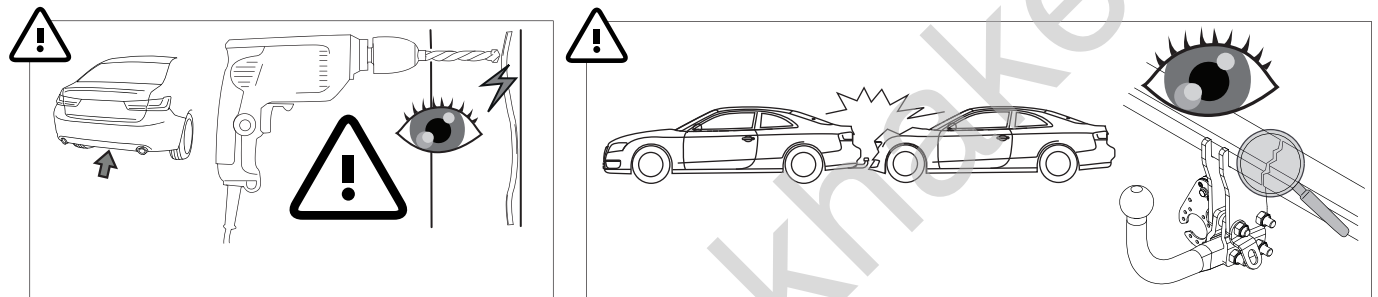
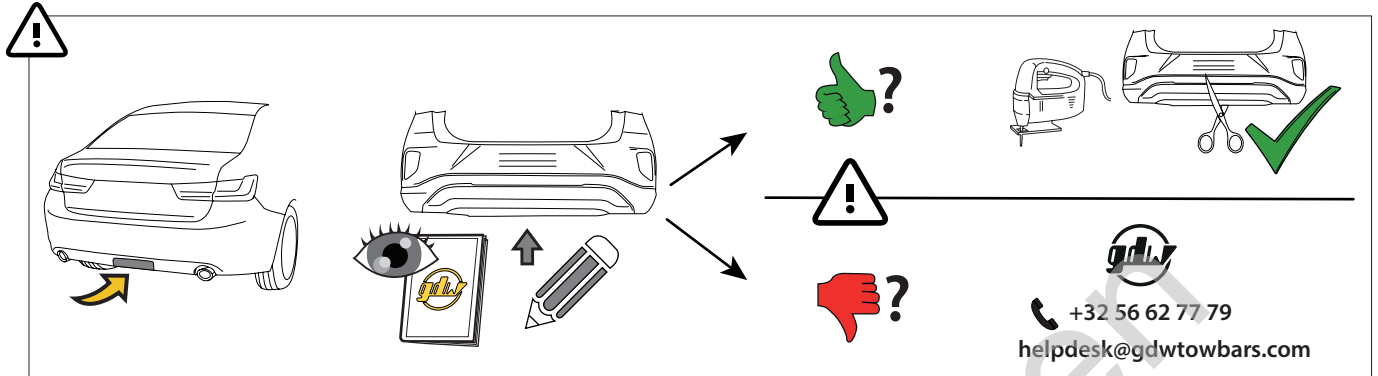
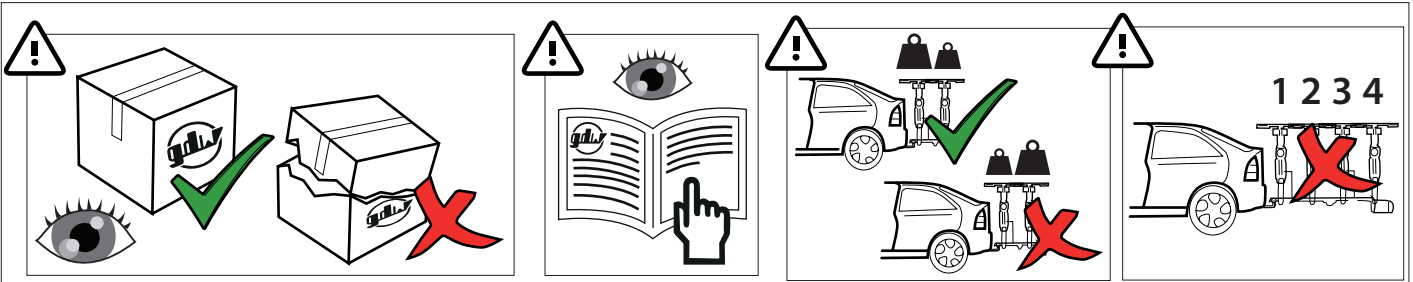
## Opel Movano 12/'21-

✓ STANDARD ✗ E-MOVANO

## Toyota ProAce Max 01/'24-

✓ STANDARD ✓ XL





MADE BY



**D 15,85**

**F**

EC-N°



BELGIUM

**S 150**

55R- 01 1303

REF N°

2144

SERIAL N°

XXXX

**DESCRIPTION**

Fiat Ducato, Citroën Jumper, Peugeot Boxer '06-, Opel Movano '21-, Toyota ProAce Max '24-



$$D = \frac{\text{max kg (car)} \times \text{max kg (trailer)}}{\text{max kg (car)} + \text{max kg (trailer)}} \times 0.00981 \leq 15,85 \text{ kN}$$

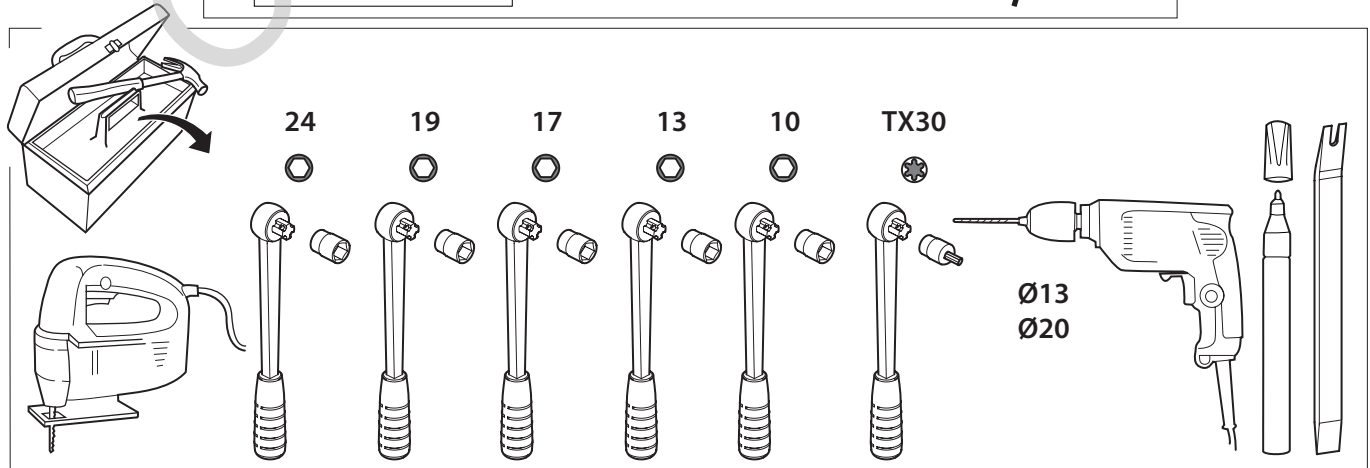
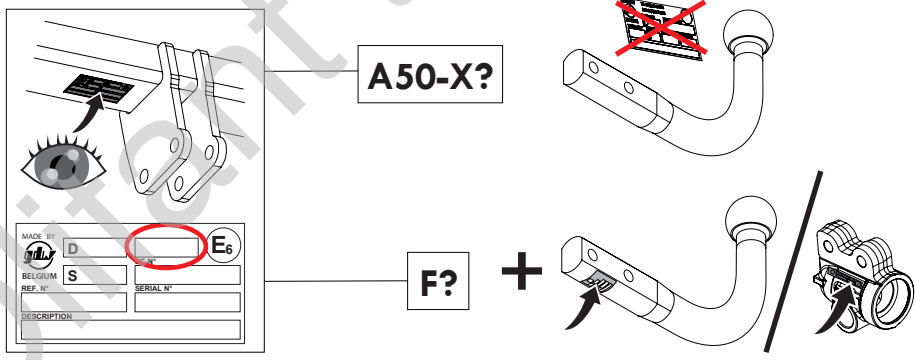
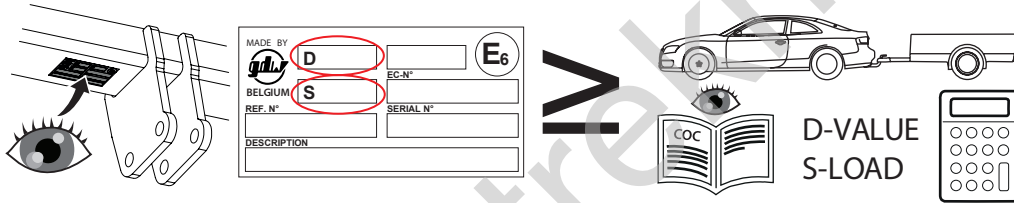
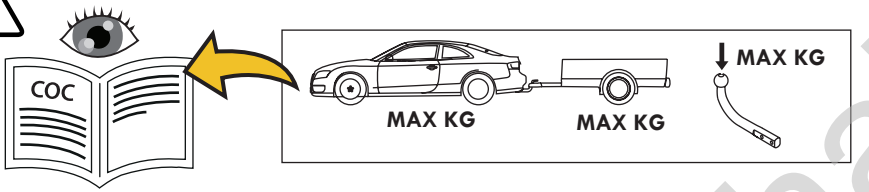
$$S = \begin{matrix} \downarrow \\ \leq 150 \text{ kg} \end{matrix} + \begin{matrix} \downarrow \\ \leq 3000 \text{ kg} \end{matrix}$$

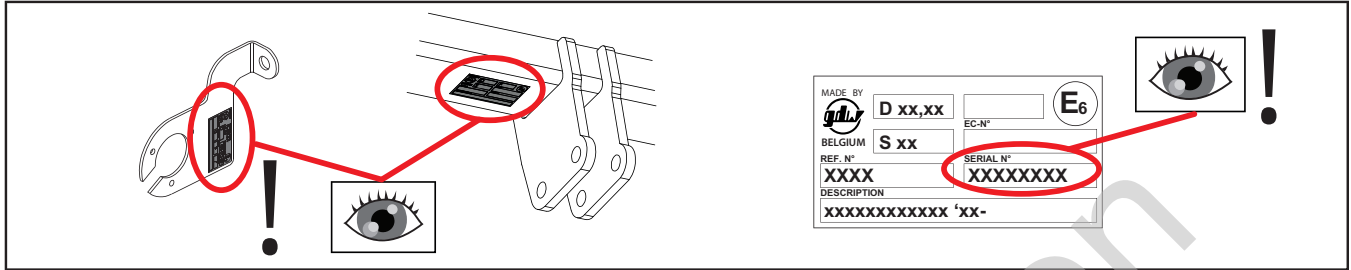


See the Certificate Of Conformity (COC) of your vehicle or contact your dealer to verify the max. trailer weight of your car!



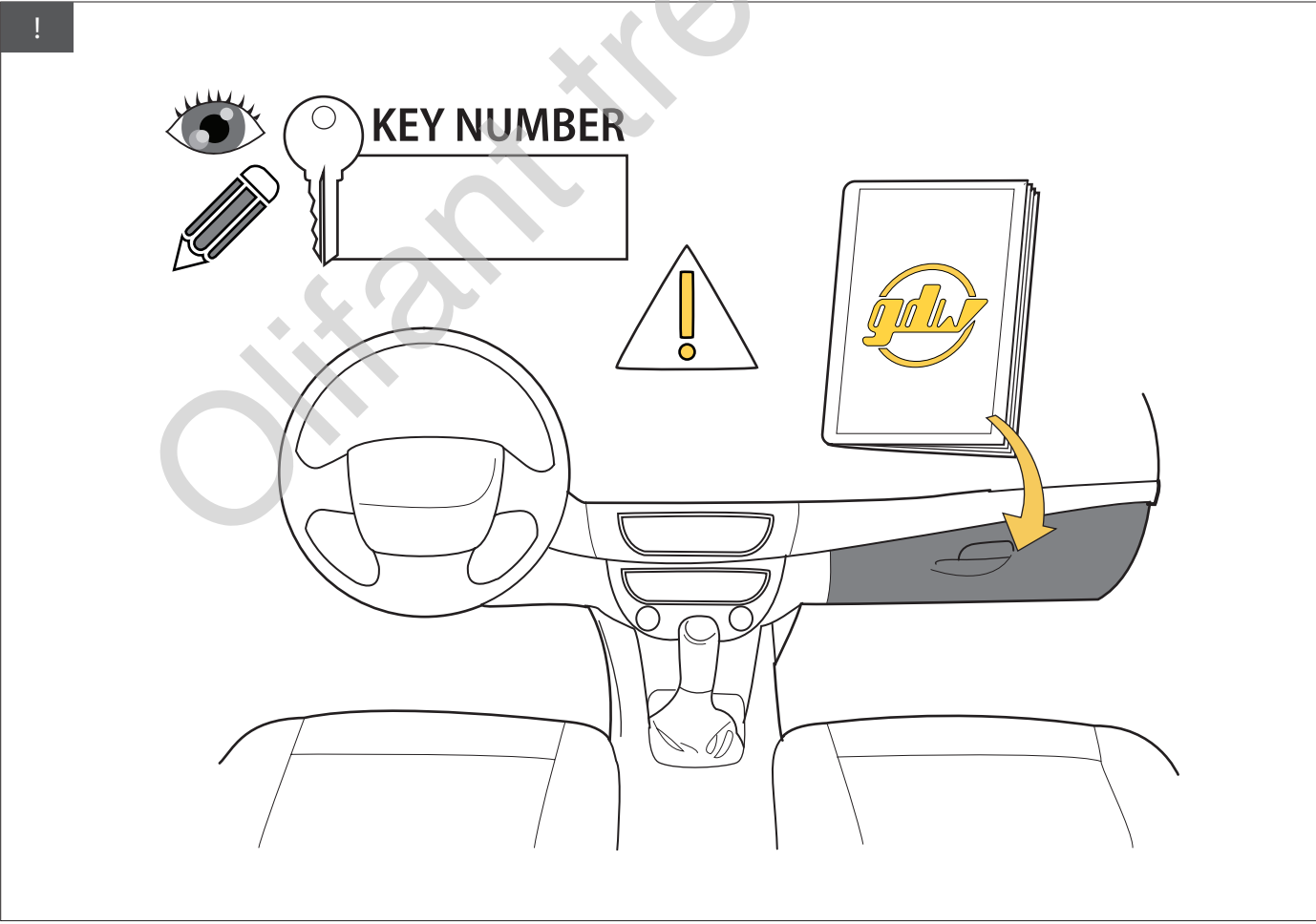
See the user manual of the vehicle for correct use of bicycle carriers!

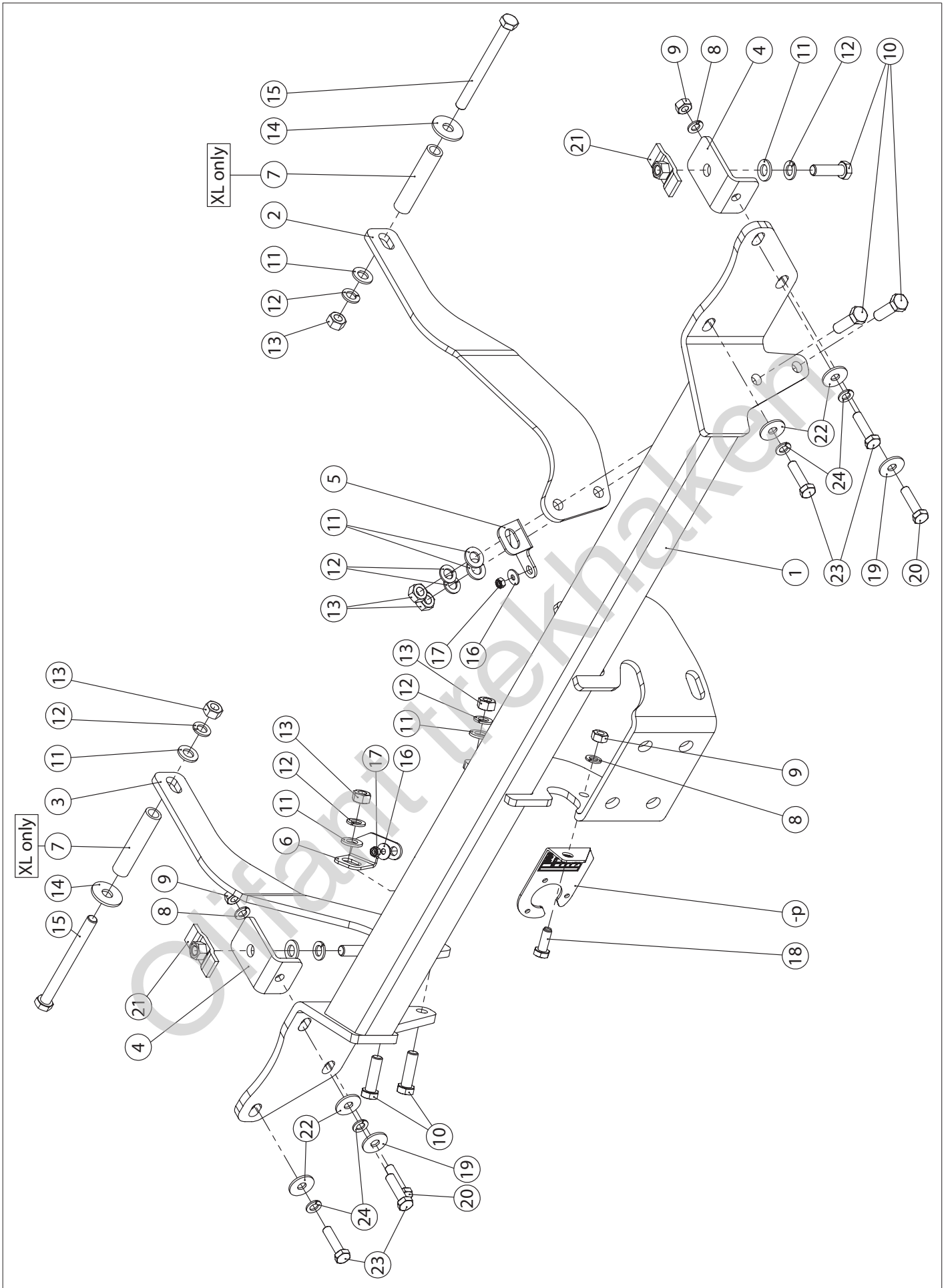


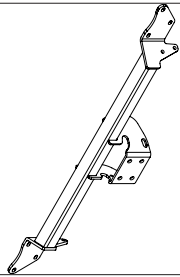



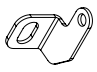





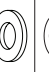

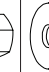







**helpdesk@gdwtowbars.com**  
**+32 56 62 77 79**



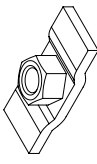







Monday	08:00 - 12:00	12:30 - 16:30
Tuesday	08:00 - 12:00	12:30 - 16:30
Wednesday	08:00 - 12:00	12:30 - 16:30
Thursday	08:00 - 12:00	12:30 - 16:30
Friday	08:00 - 12:00	12:30 - 15:30



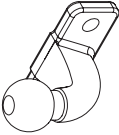







1		X1	GDW REF. 2144	
2		X1	GDW REF. 2	
3		X1	GDW REF. 3	
4		X2	GDW REF. 4	
5		X1	GDW REF. 5	
6		X1	GDW REF. 6	
7		X2	GDW REF. 7 ONLY XL	
8		X3	DIN 128A-M10	
9		X3	DIN 934-M10 - 1.25	
10		X6	DIN 931-M12X45	
11		X8	DIN125-A12-140HV- ELVZ	
12		X8	DIN 128A-M12	
13		X6	DIN 934-M12	
14		X2	DIN9021-M12-ELVZ	
15		X2	DIN931-M12X130	
16		X2	DIN9021-M6-ELVZ	
17		X2	DIN985-M6	
18		X1	DIN 961-M10X25 - 1.25	

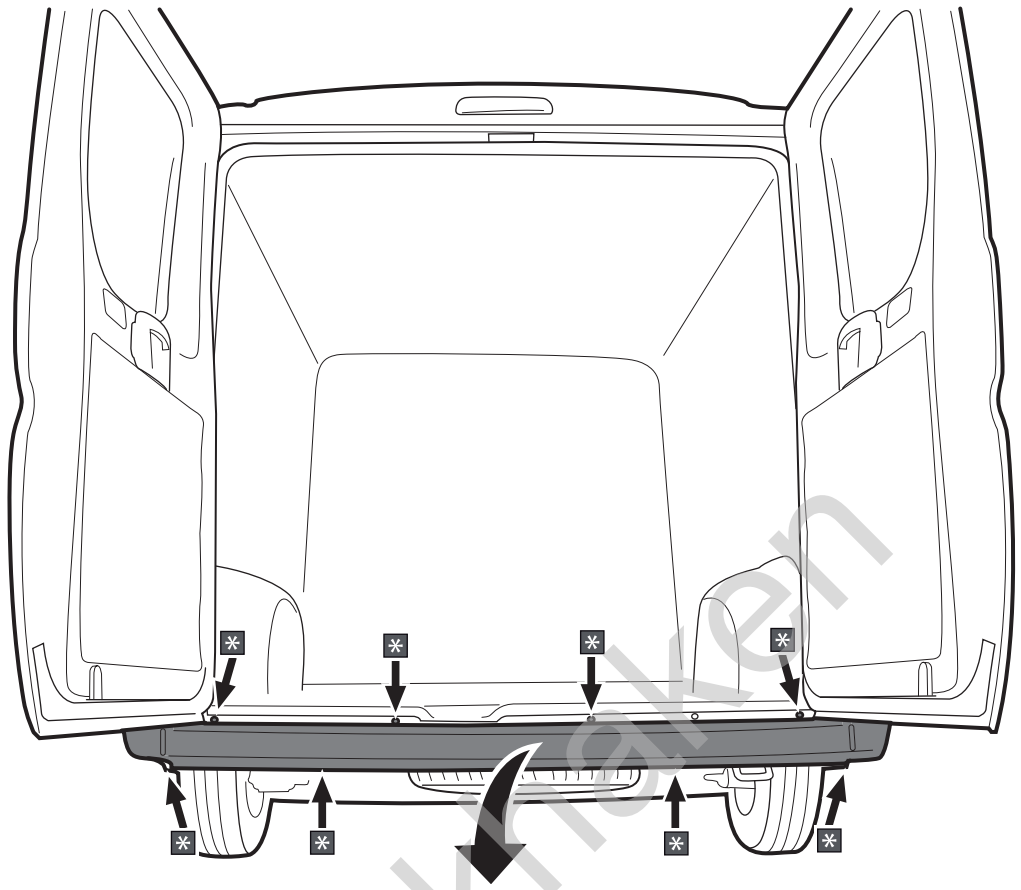
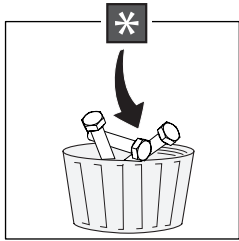
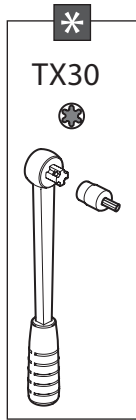
  

19		X2	DIN9021-M10-ELVZ	
20		X2	DIN 961-M10X40 - 1.25	
21		X2	GDW REF. 902.004	
-P		X1	GDW REF. P29	
<b>CHASSIS N° ≤ 1067810</b>				
22		X4	DIN9021-M8-ELVZ	
23		X4	DIN 933-M8X40	
24		X4	DIN 128A-M8	
<b>CHASSIS N° ≥ 1067811</b>				
22		X4	DIN9021-M10-ELVZ	
23		X4	DIN 961-M10X40 - 1.25	
24		X4	DIN 128A-M10	

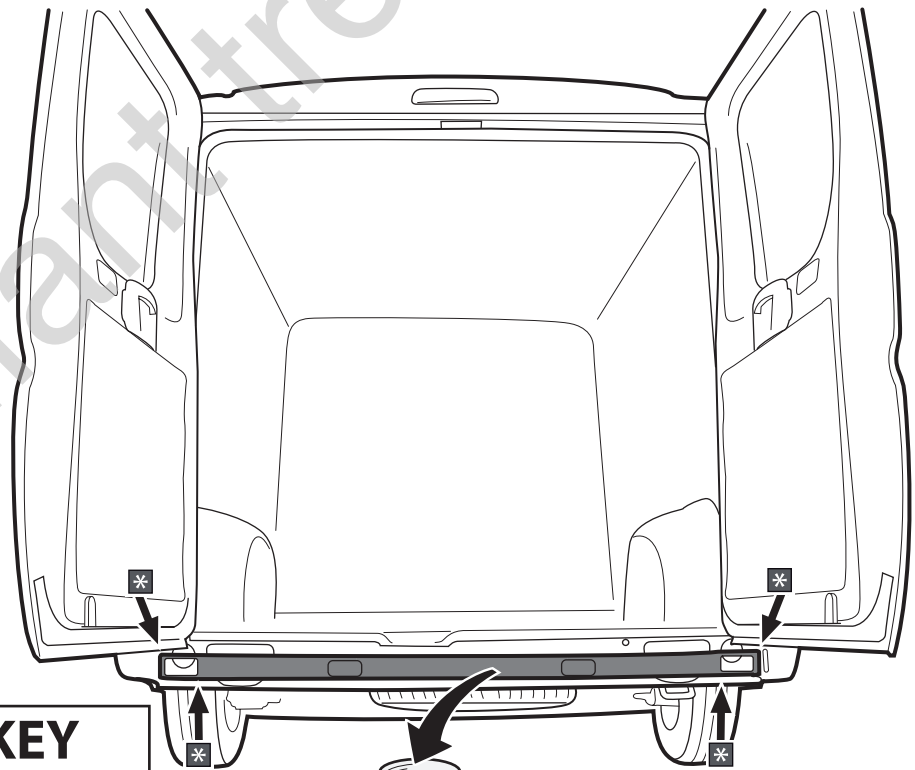
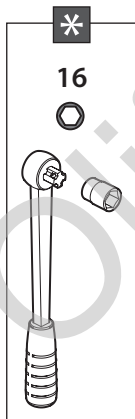
  

Geleverd met - Livré avec - Delivered with Gefleert mit - Elementos adjuntos-Leveres med			
	X1	740.000	
	X2	DIN128A-M16	
	X2	DIN933-M16 X 50	
	X2	DIN934-M16	
	X4	KABELBINDER 160X2,5	
	X4	BIND. SOK 28	

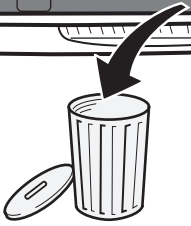
1

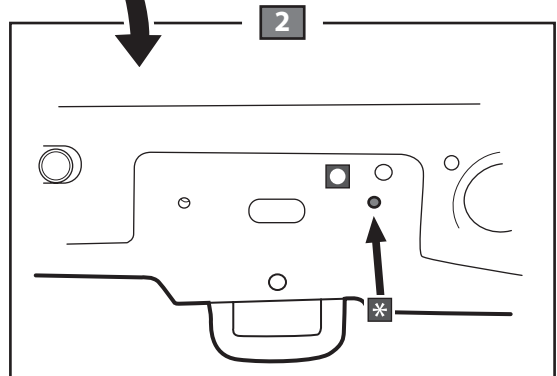
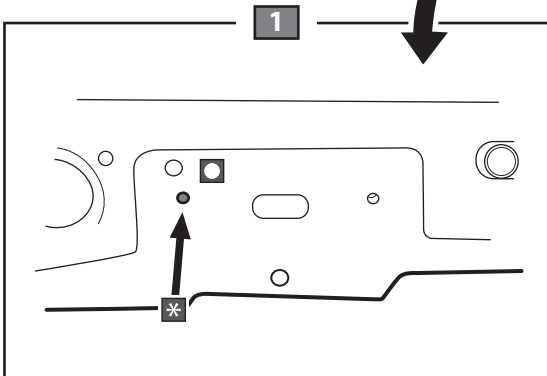
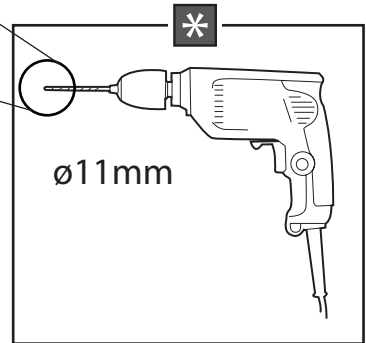
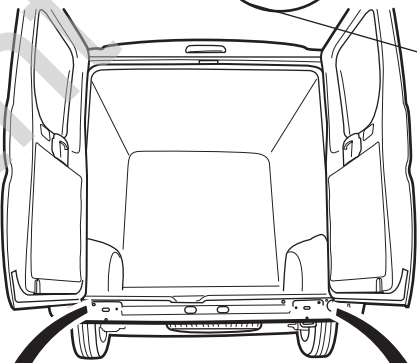
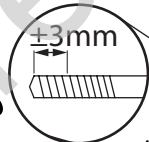
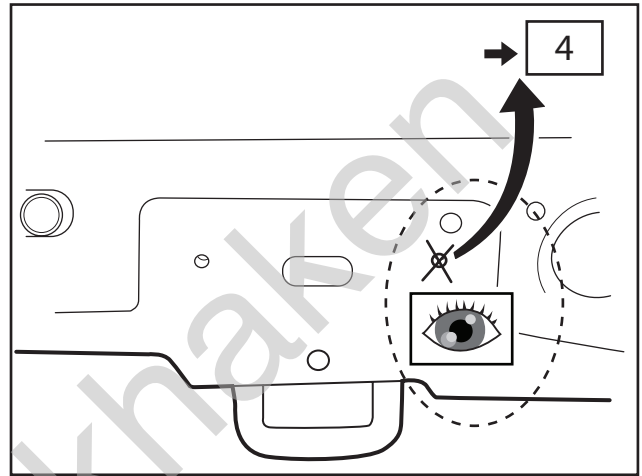
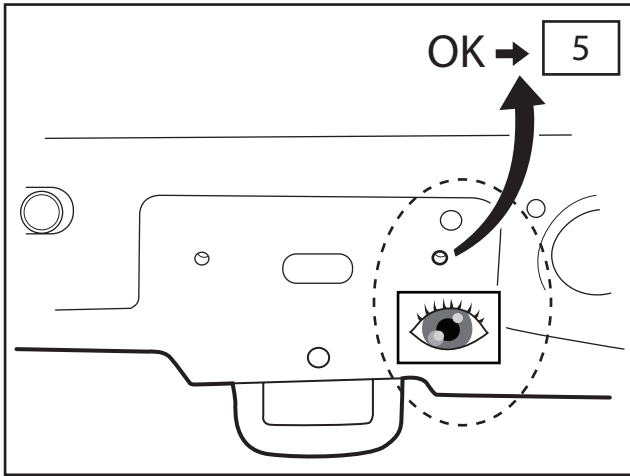
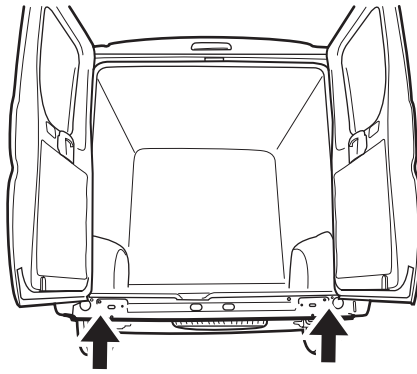


2

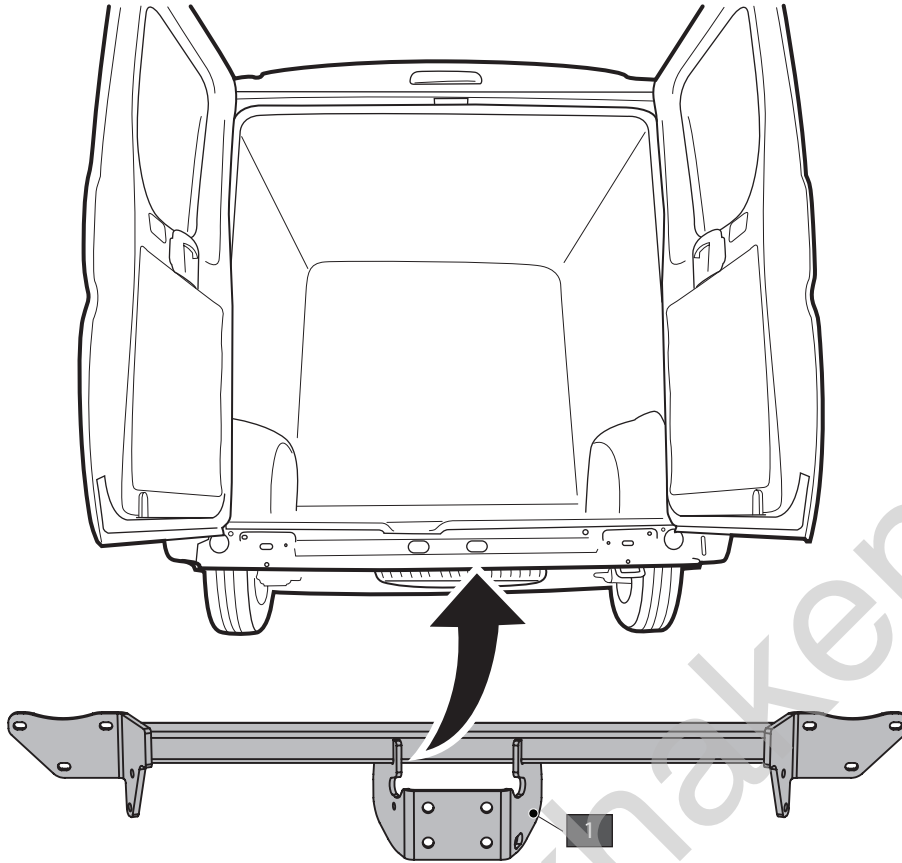


**SMART KEY  
SENSOR:  
ORDER 650.040**









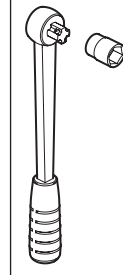
Chassis n° ≥ 1067811 M10x40x1.25 DIN 961  
 Chassis n° ≤ 1067810 M8x40 DIN 933

Chassis n° ≥ 1067811

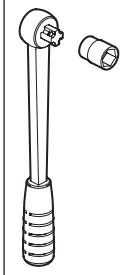
Chassis n° ≤ 1067810



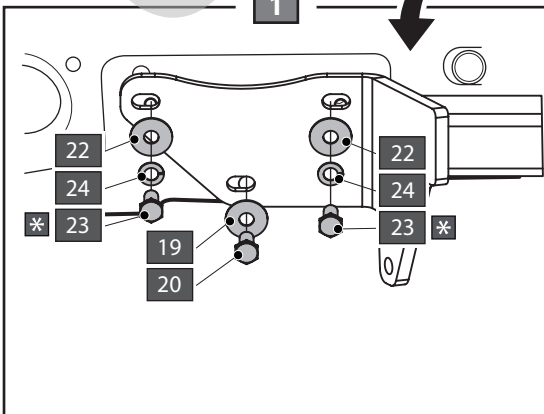
17



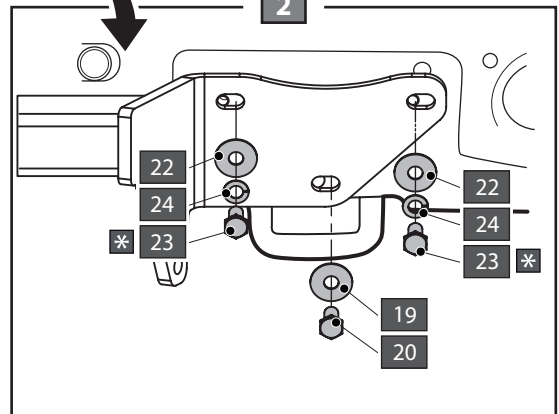
13



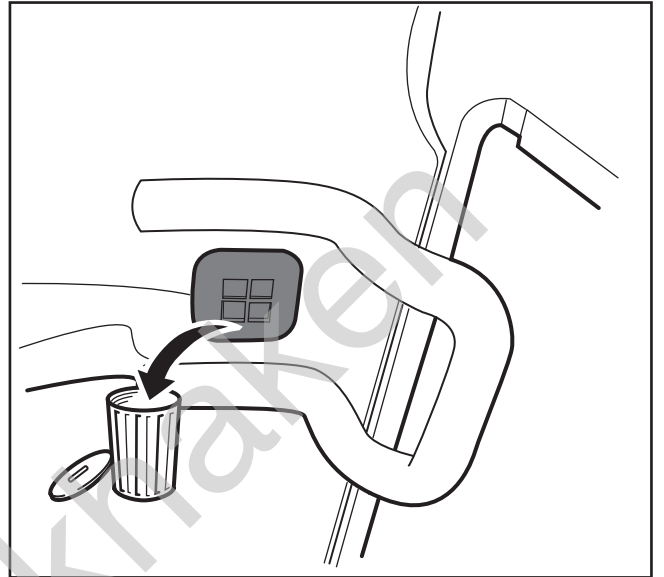
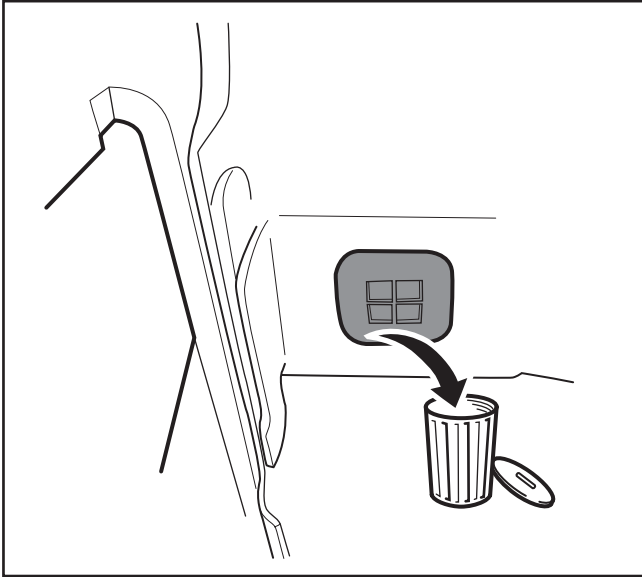
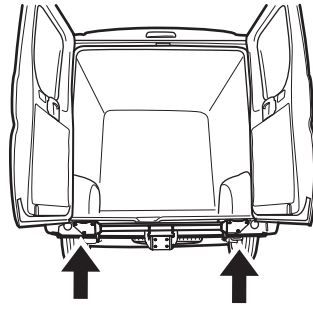
1



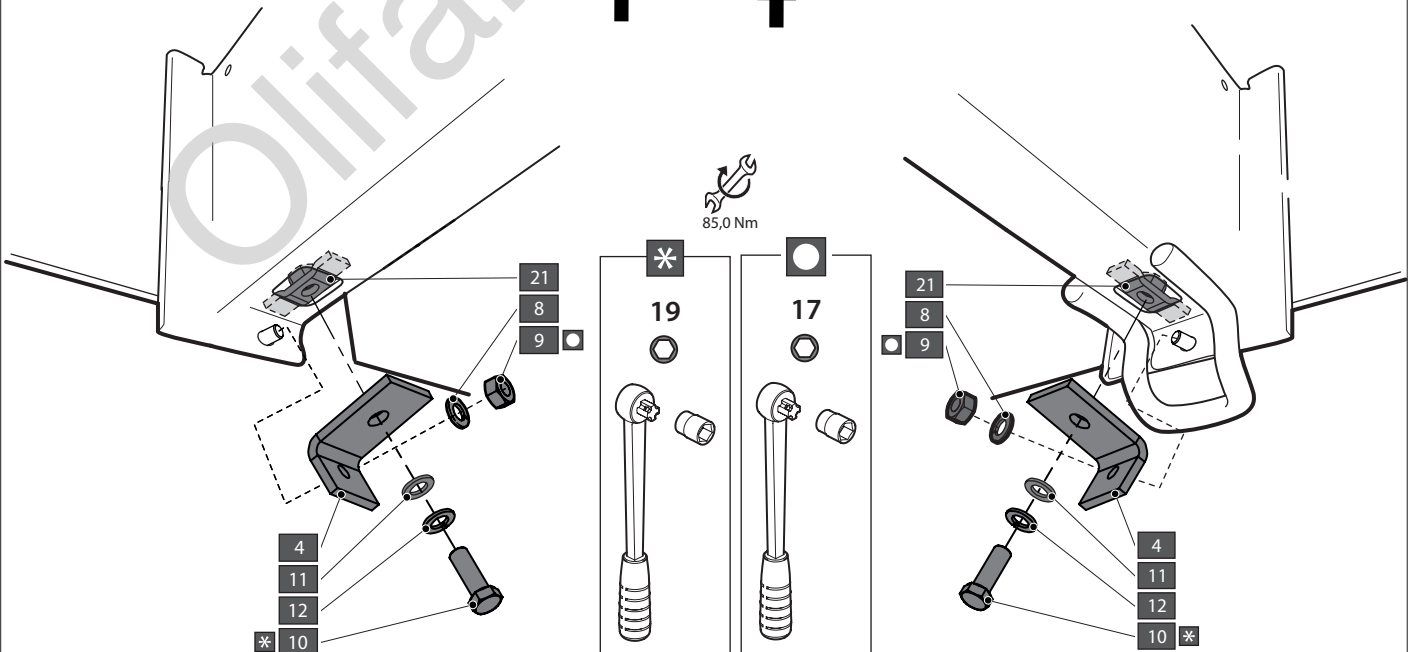
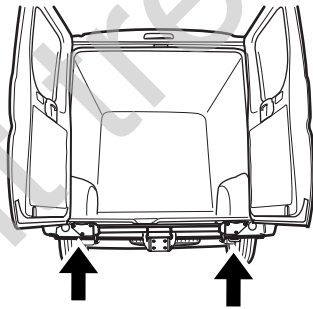
2



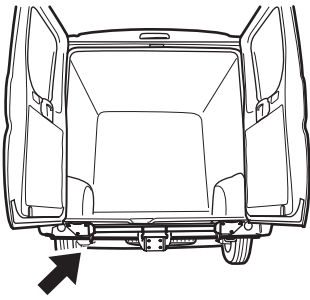
7



8

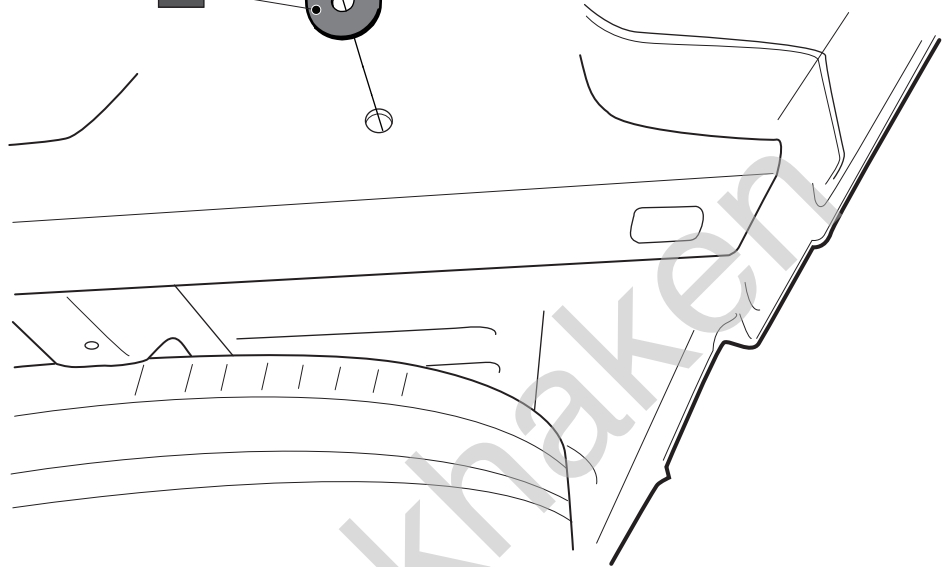
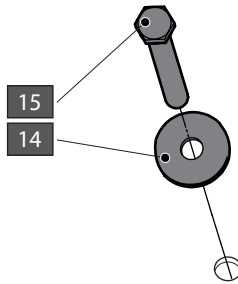


9

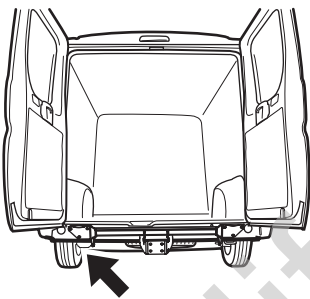


15

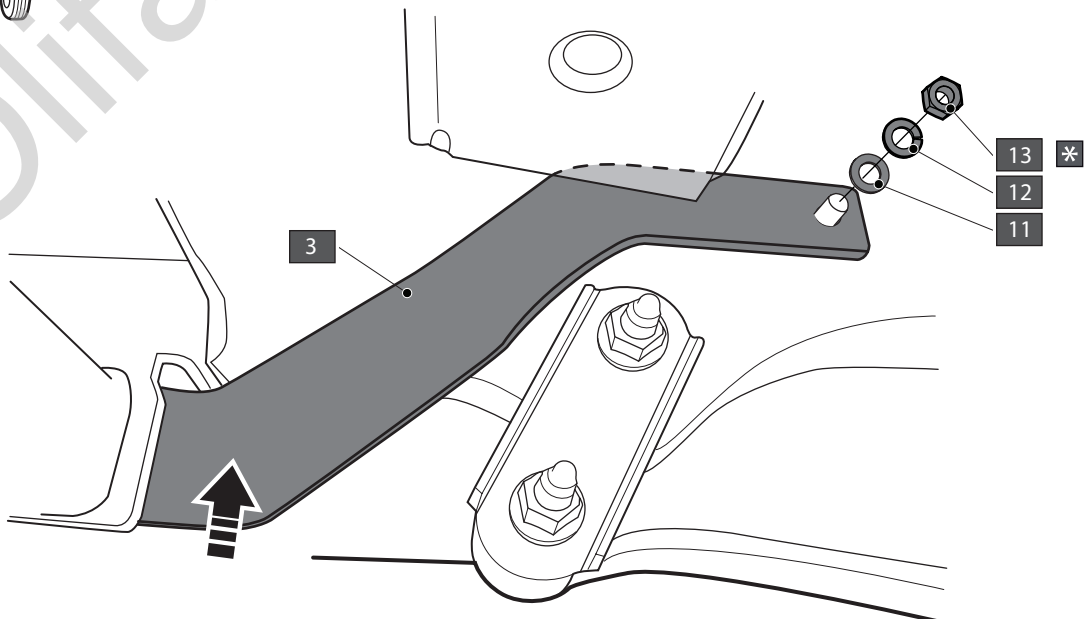
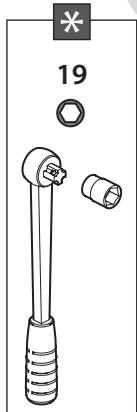
Fiat Ducato IV '06 XL

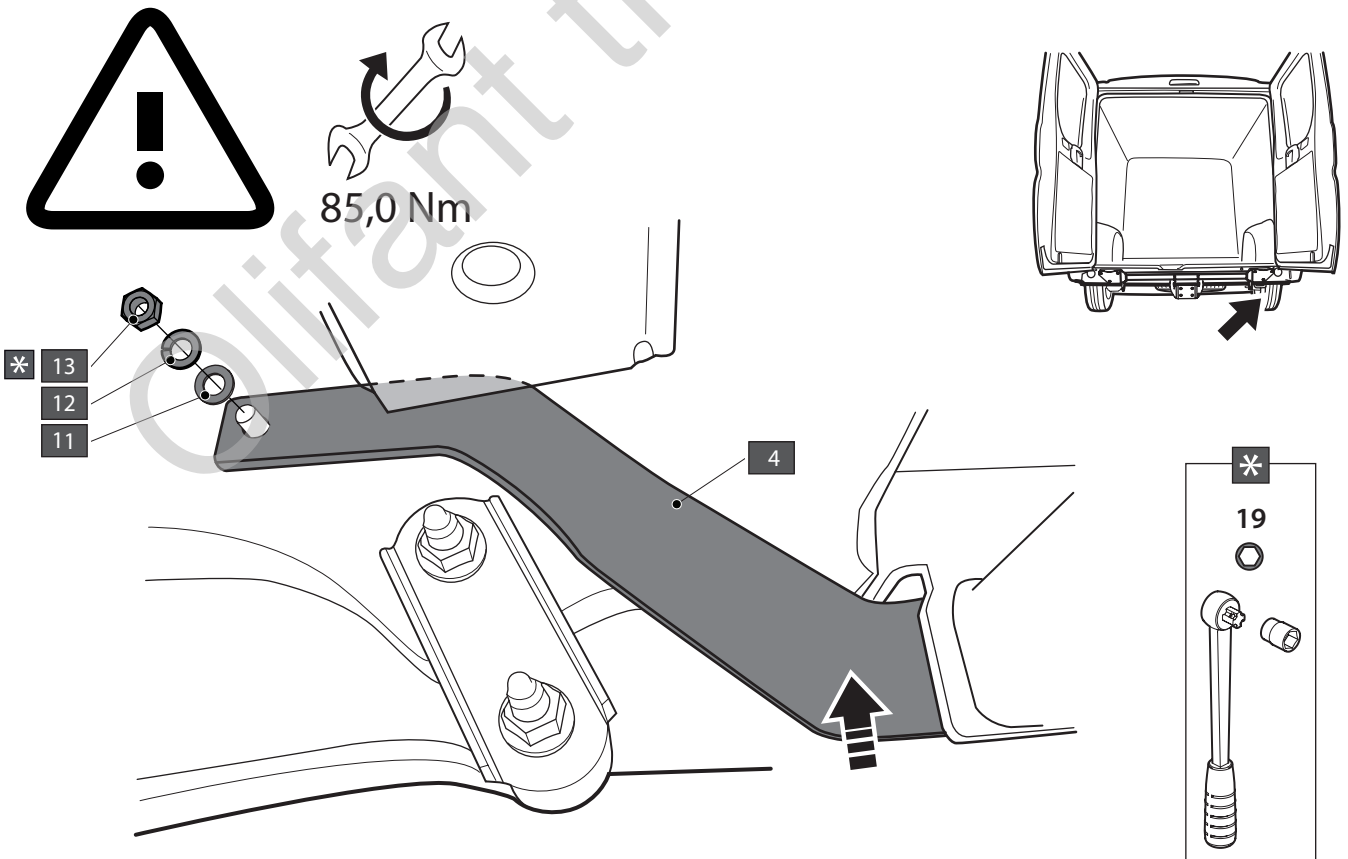
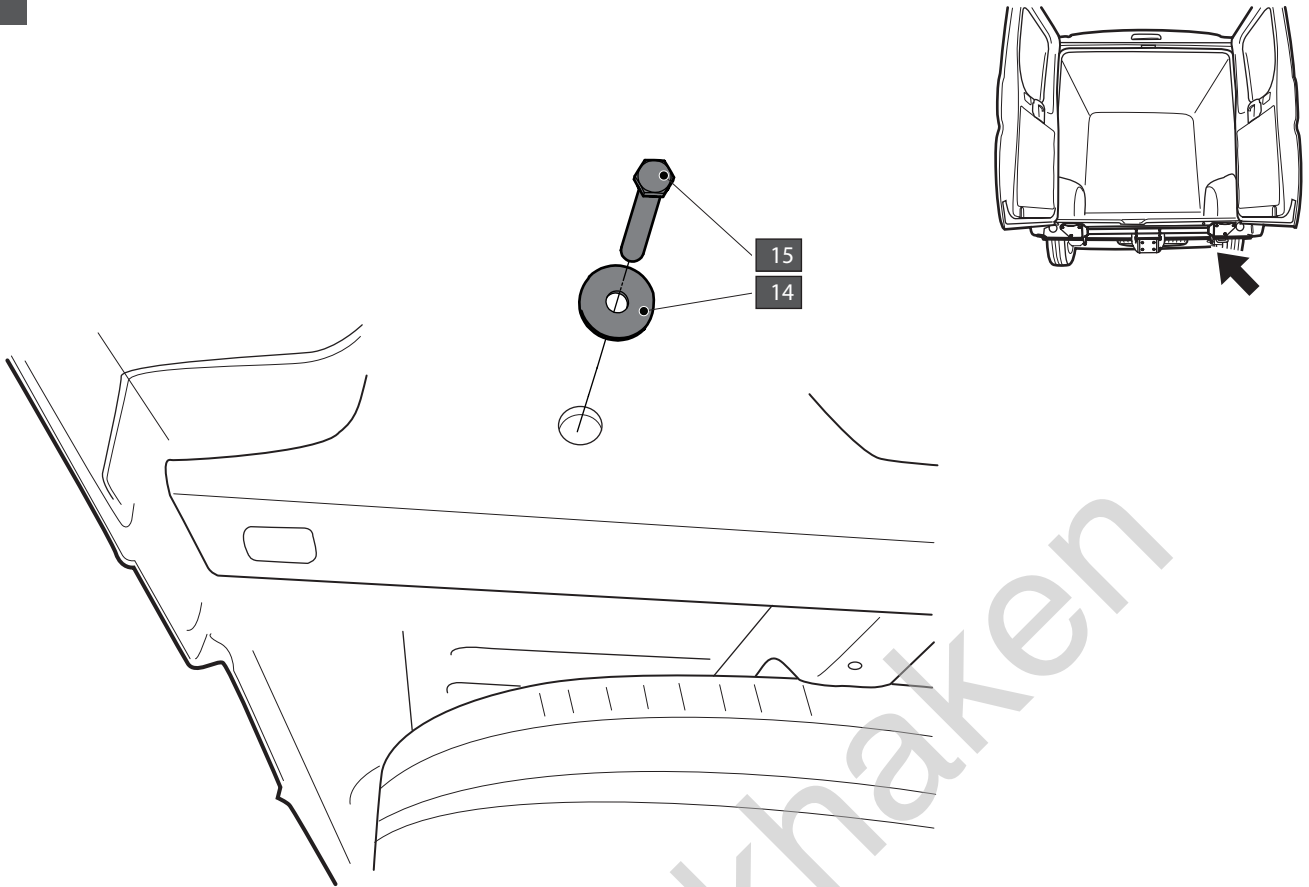


10



85,0 Nm





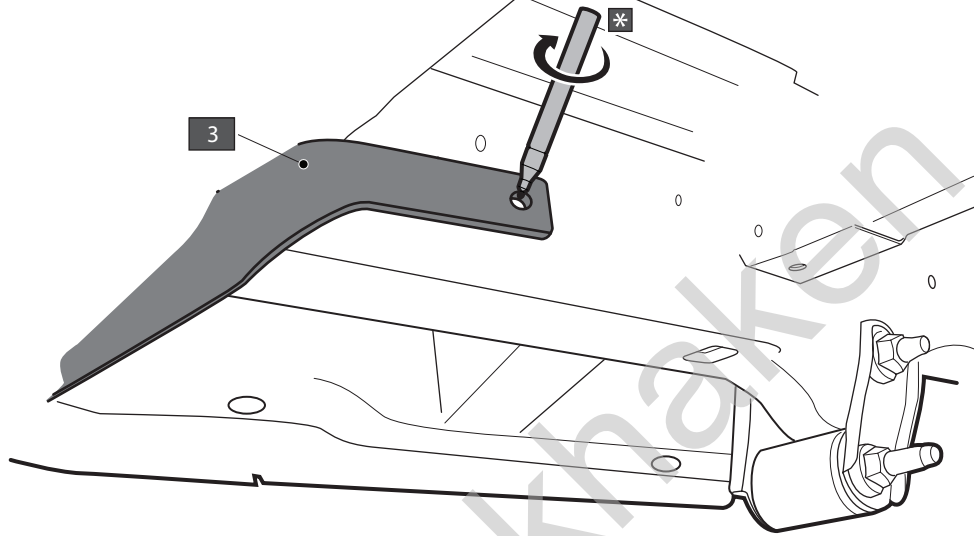
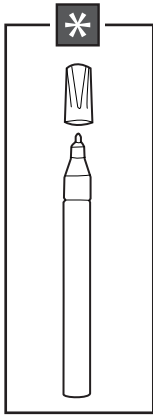
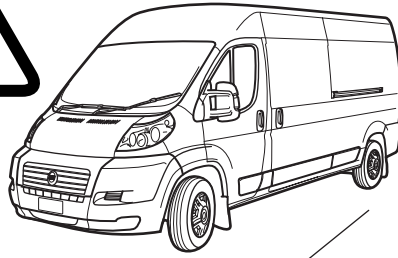
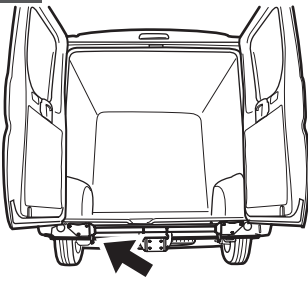
13

### Fiat Ducato IV '06 **XL**



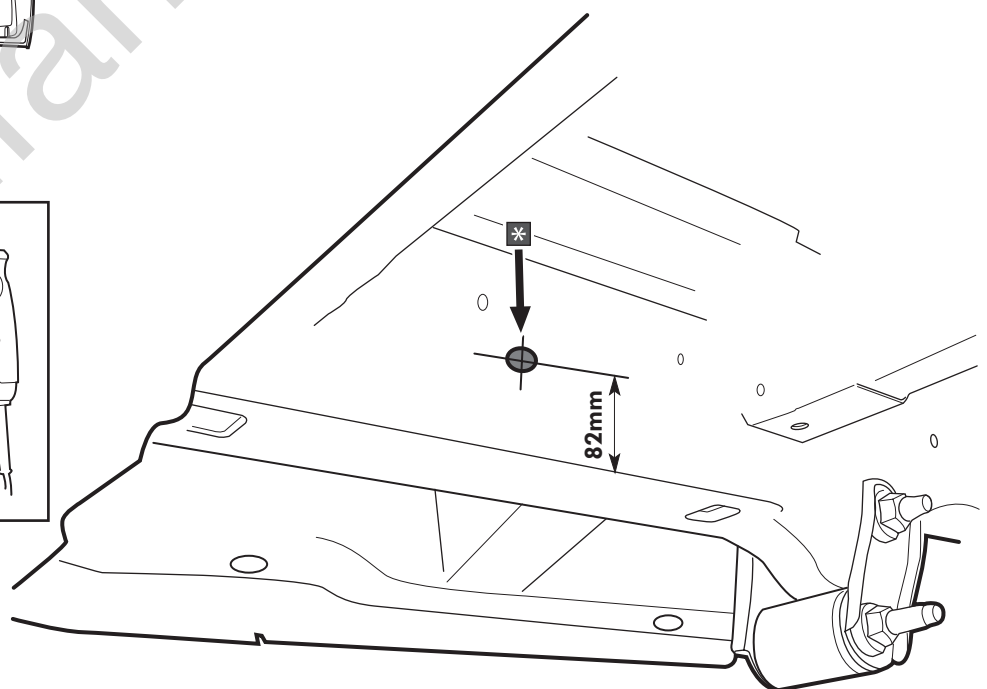
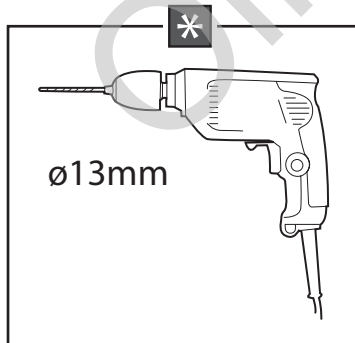
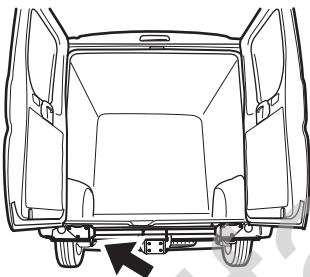
25

Fiat Ducato IV '06 **S-M-L**



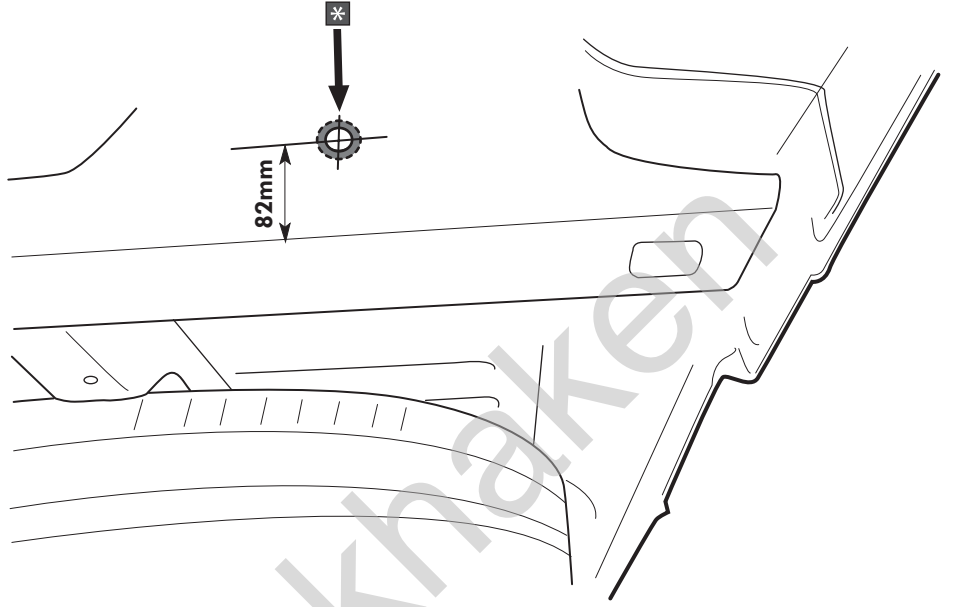
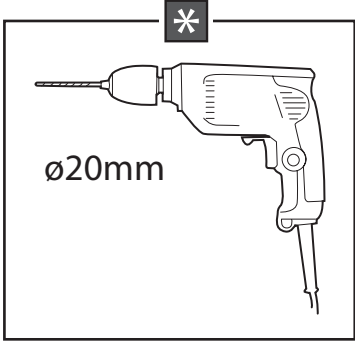
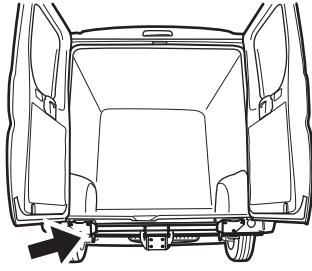
14

### Fiat Ducato IV '06 **XL**



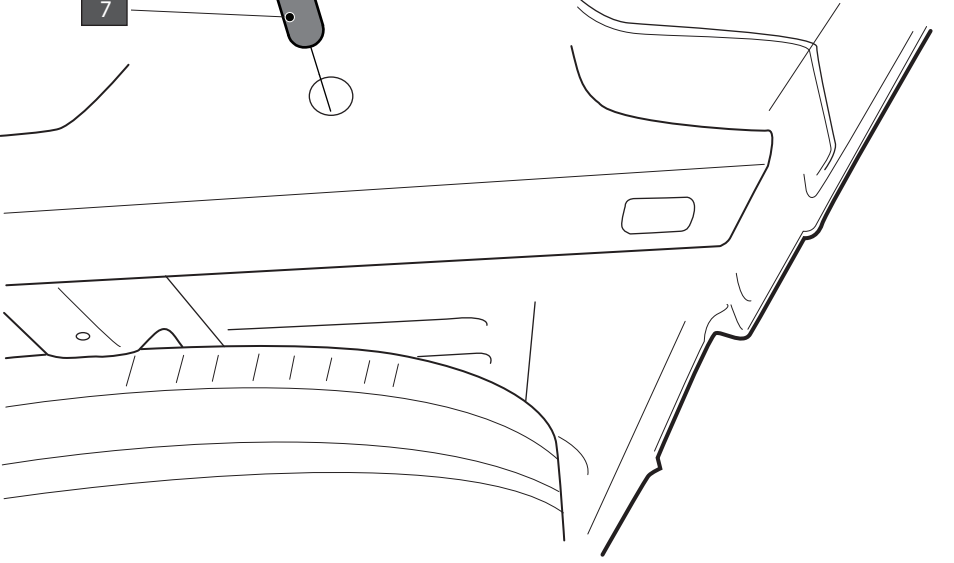
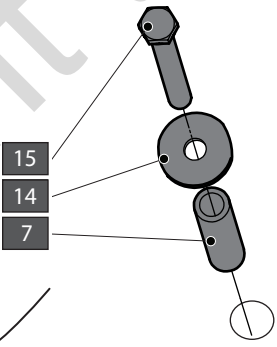
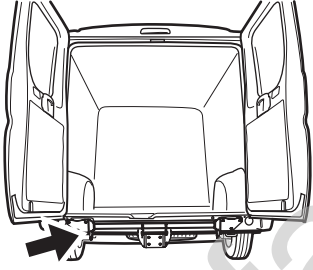
15

Fiat Ducato IV '06 **XL**

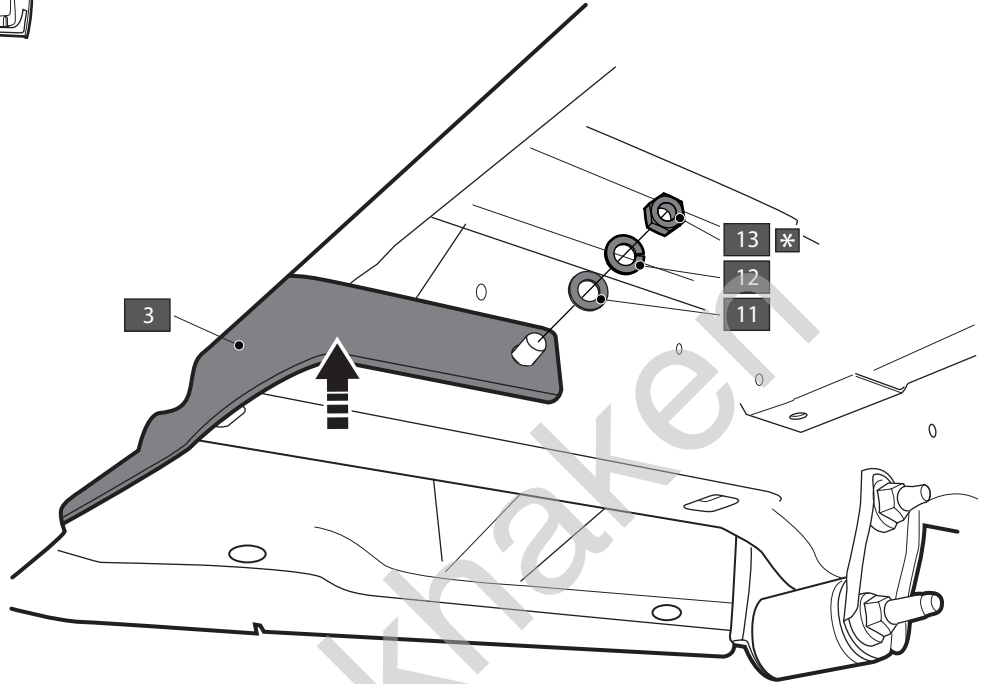
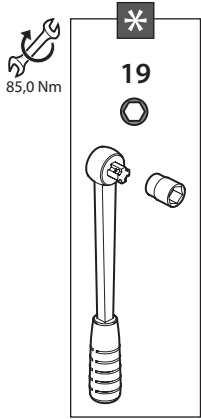
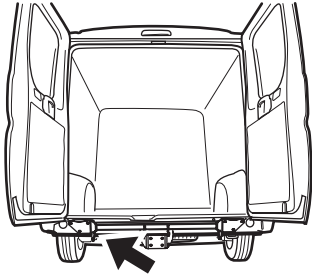


16

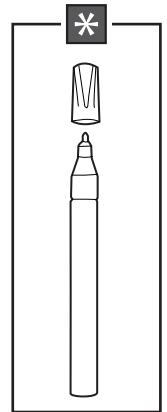
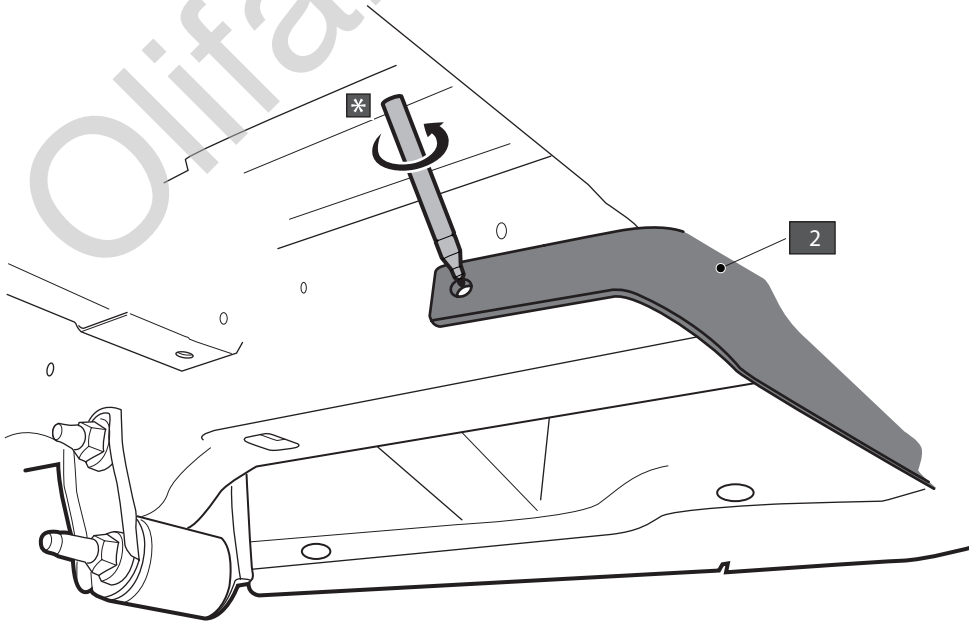
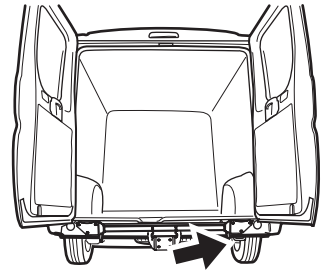
Fiat Ducato IV '06 **XL**



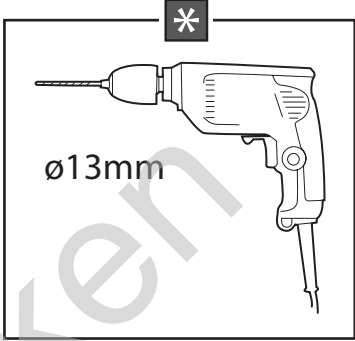
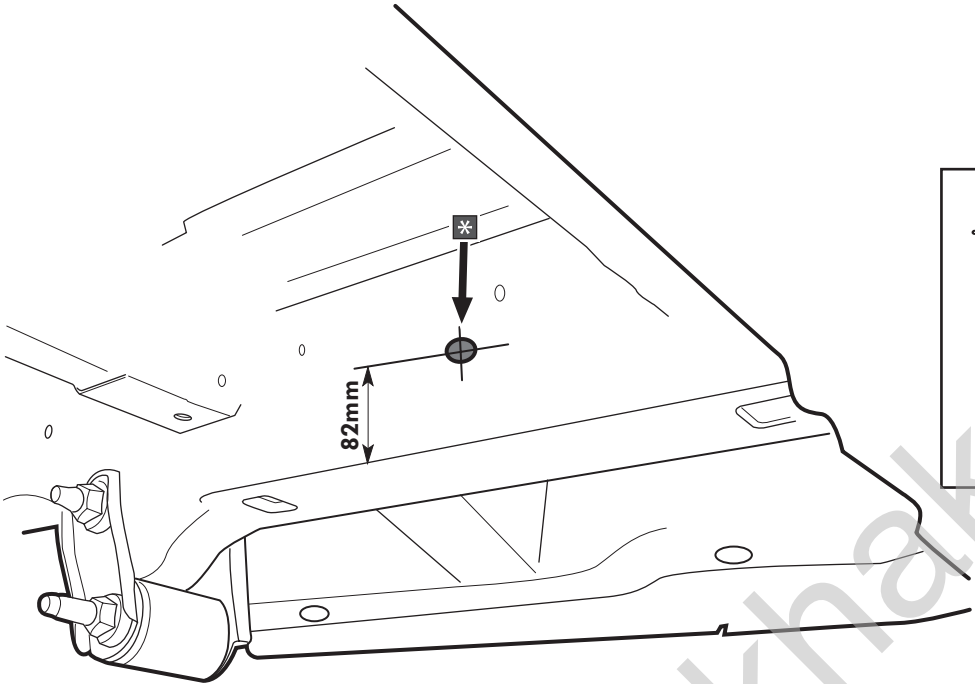
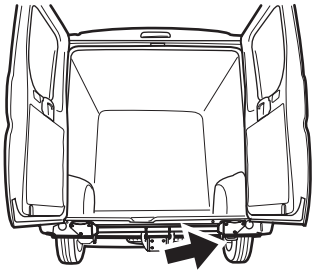
Fiat Ducato IV '06 **XL**



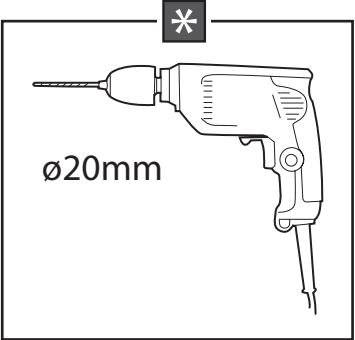
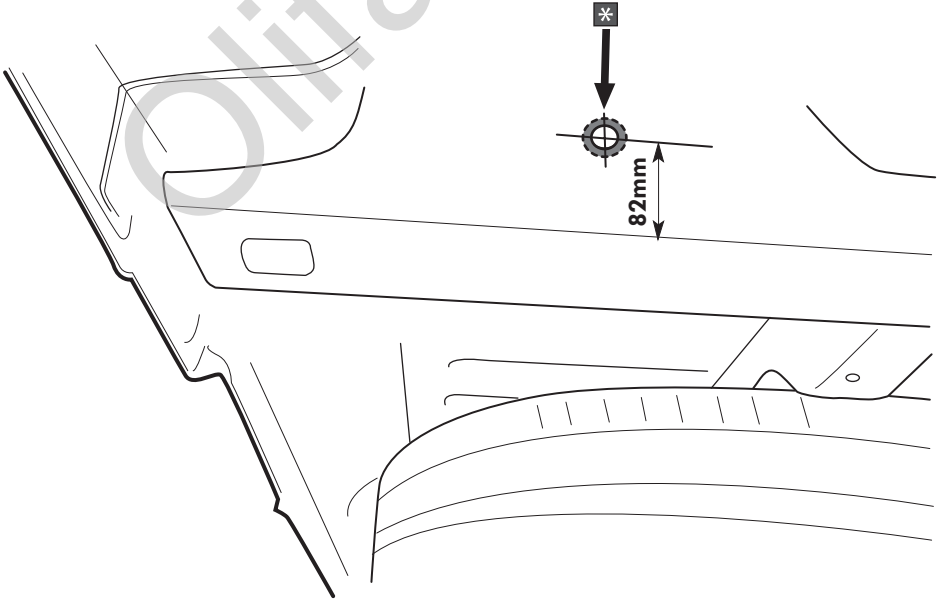
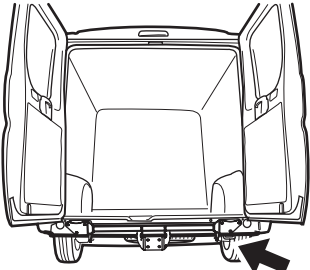
Fiat Ducato IV '06 **XL**



Fiat Ducato IV '06 **XL**

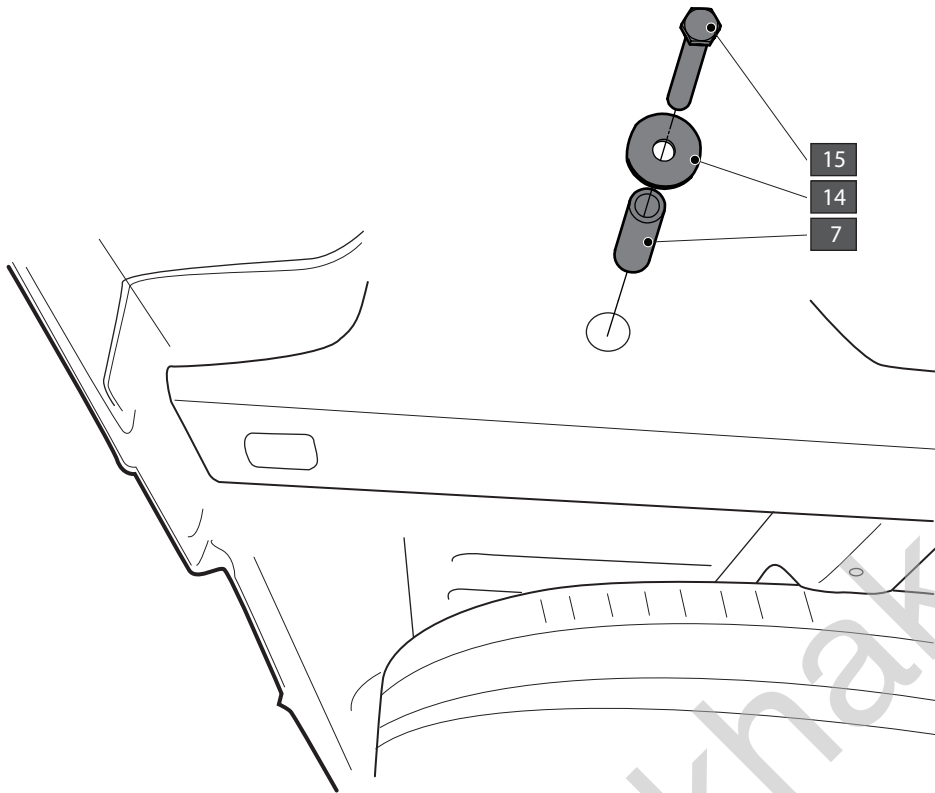
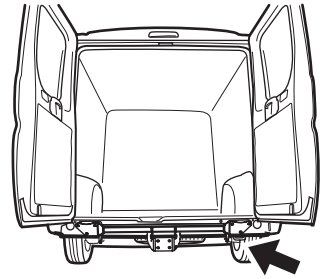


Fiat Ducato IV '06 **XL**

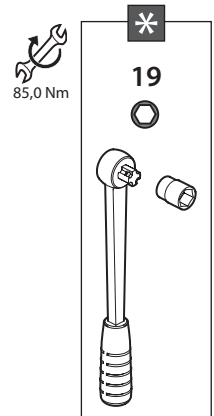
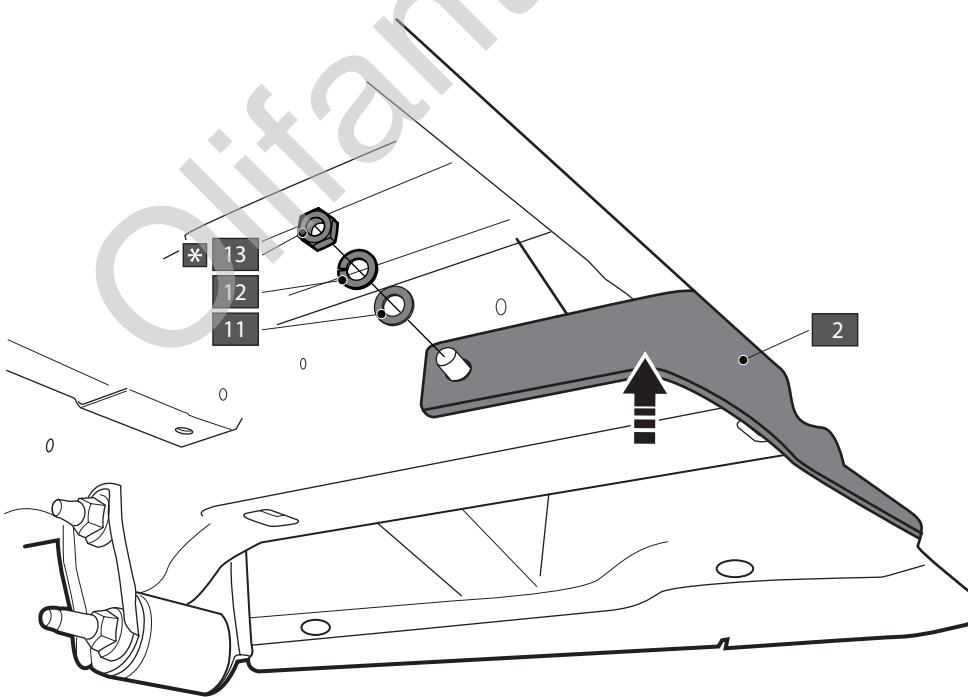
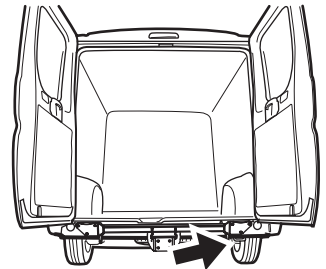


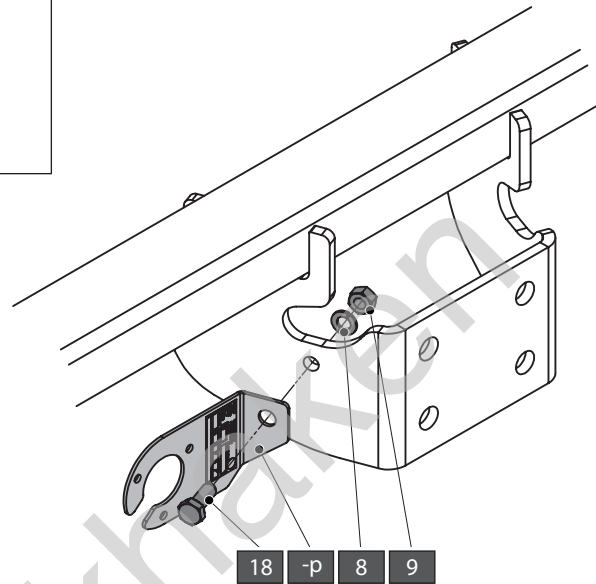
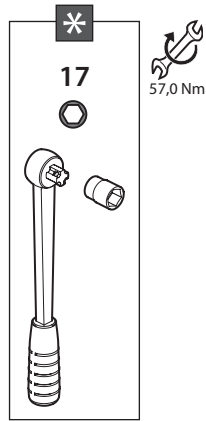
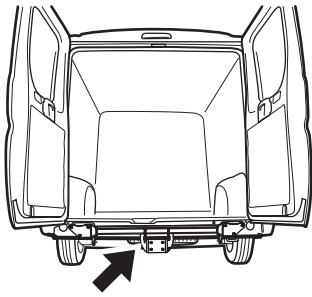


### Fiat Ducato IV '06 **XL**



### Fiat Ducato IV '06 **XL**





-P



X1

GDW REF. P29

18



X1

DIN933-M10X25 - 1.25

8



X1

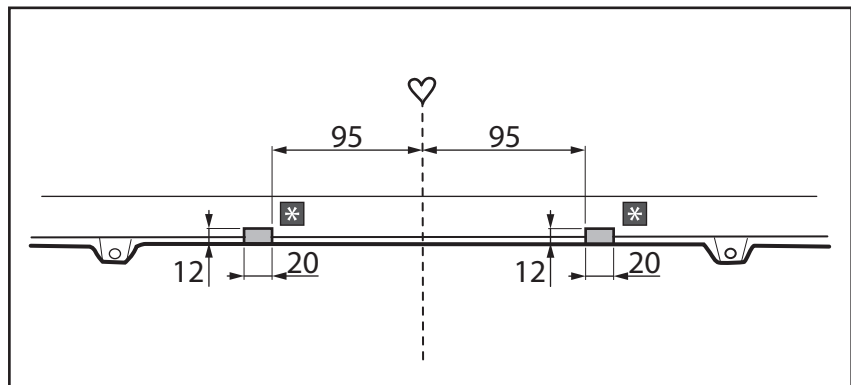
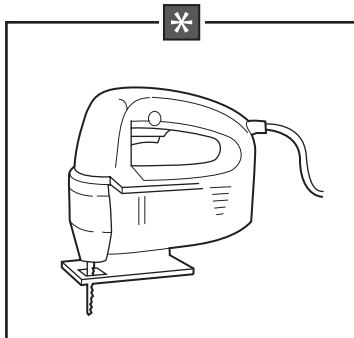
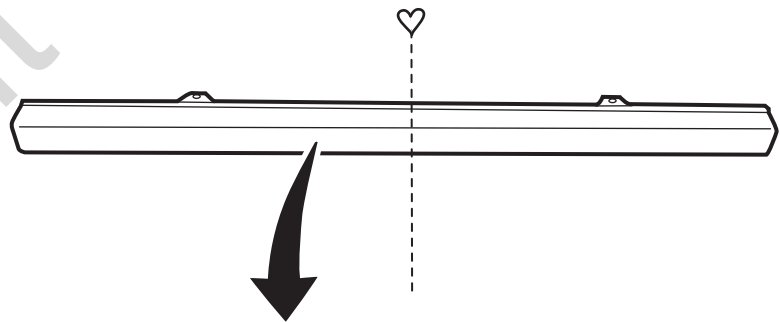
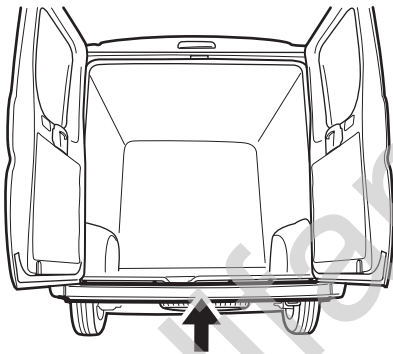
DIN128A-M10

9



X1

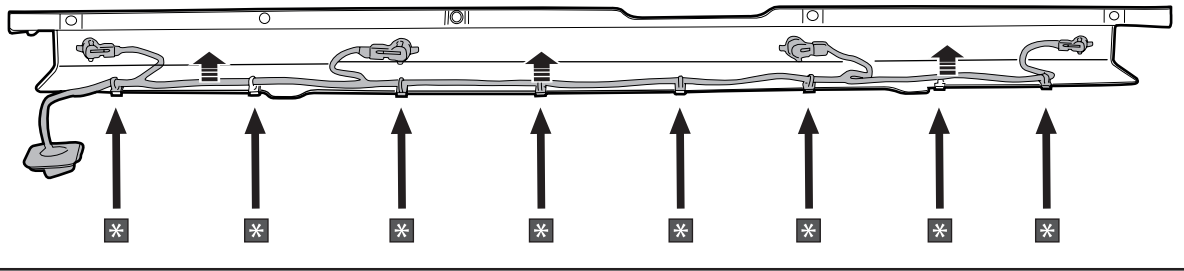
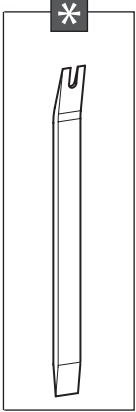
DIN934-M10 - 1.25



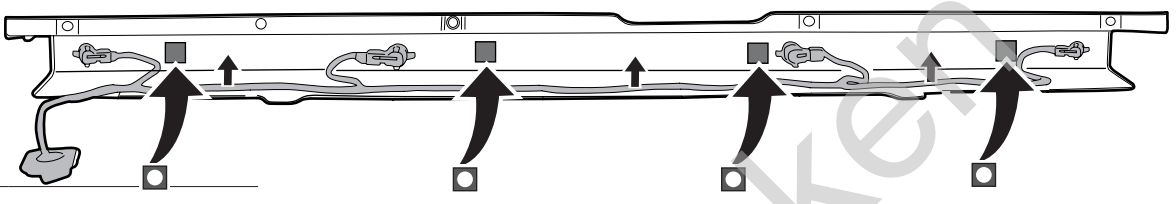


28

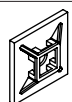
1



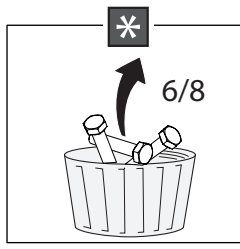
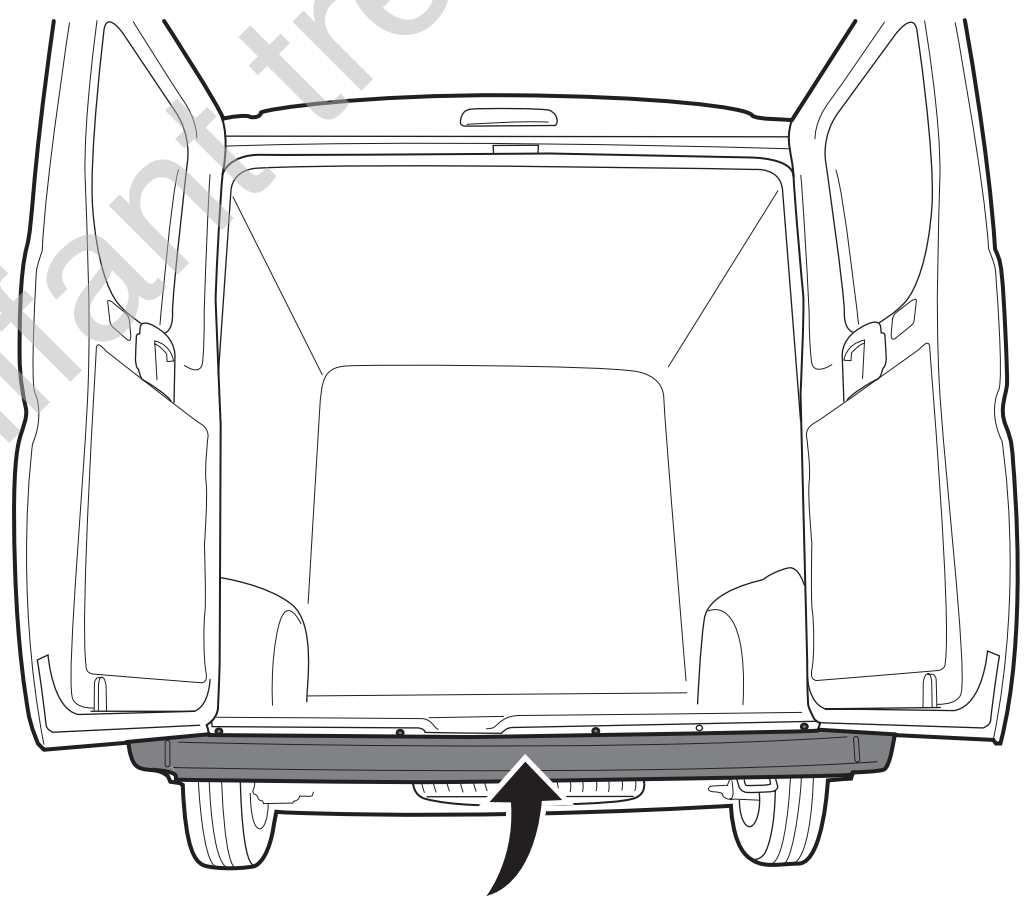
2

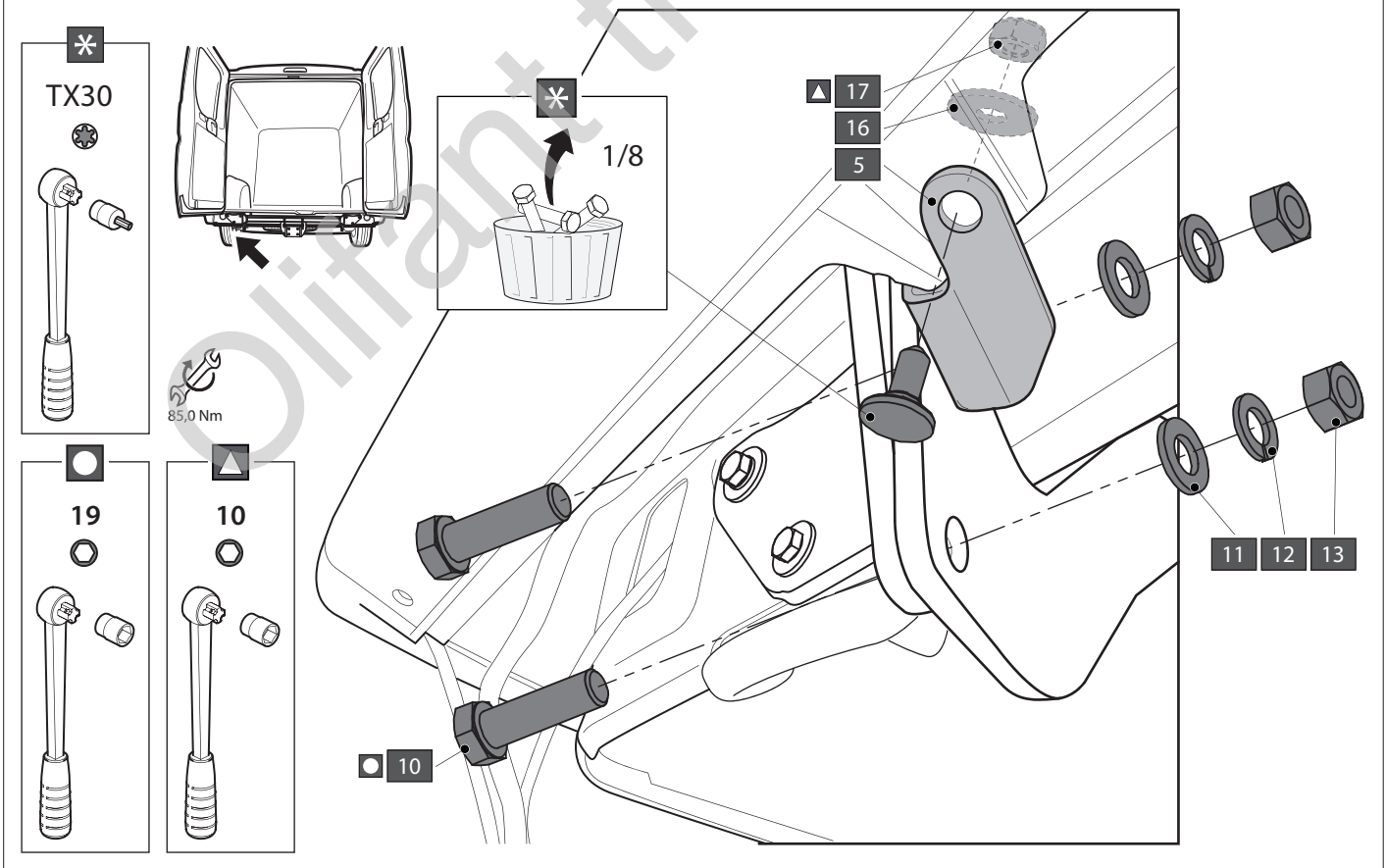
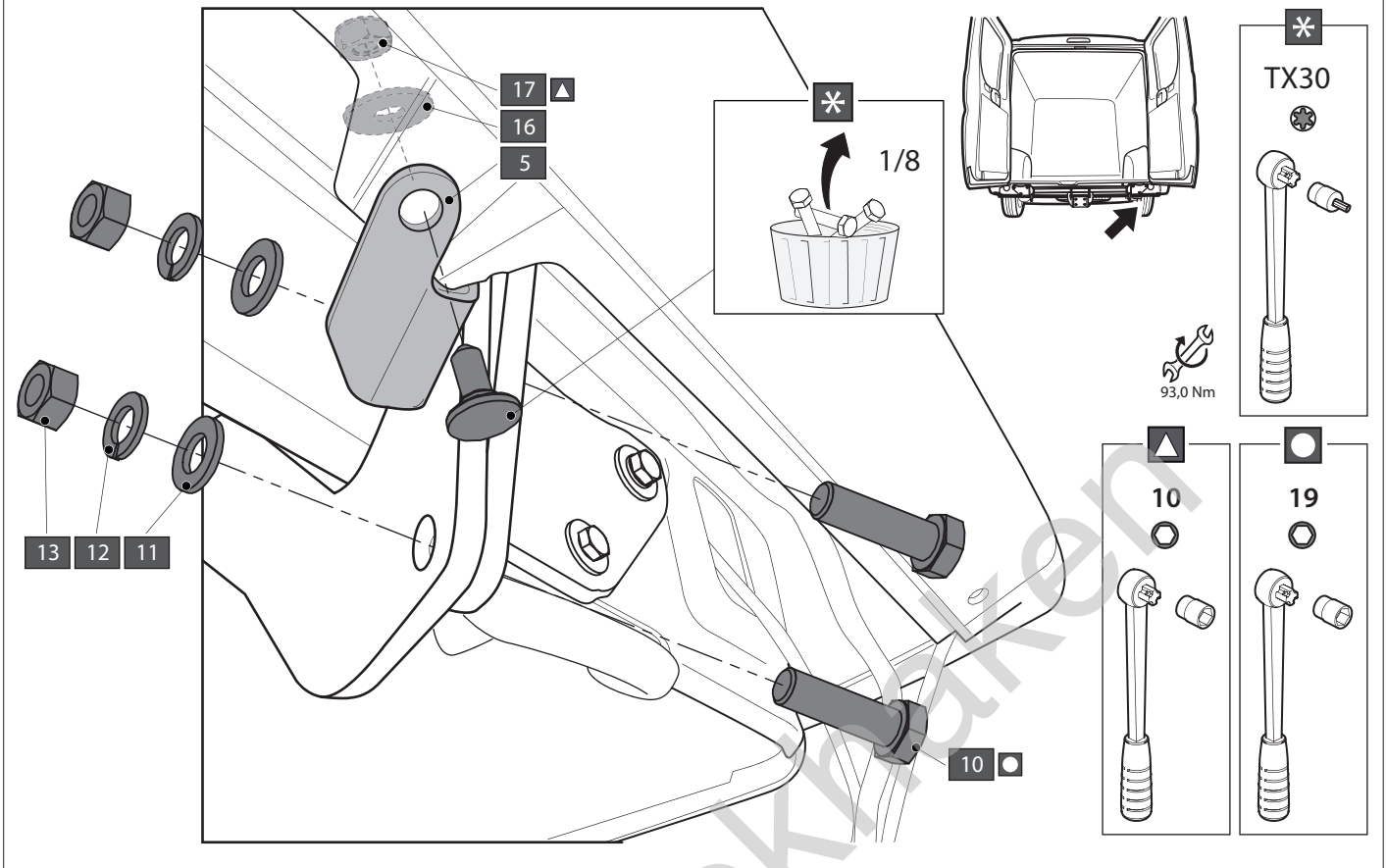


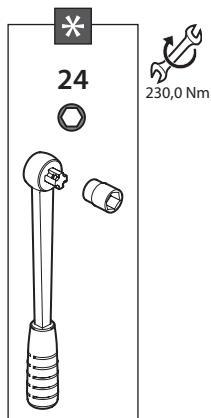
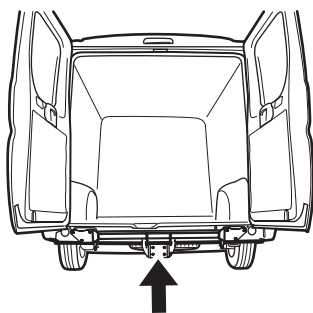
X4 KABELBINDER  
16X2,5MM



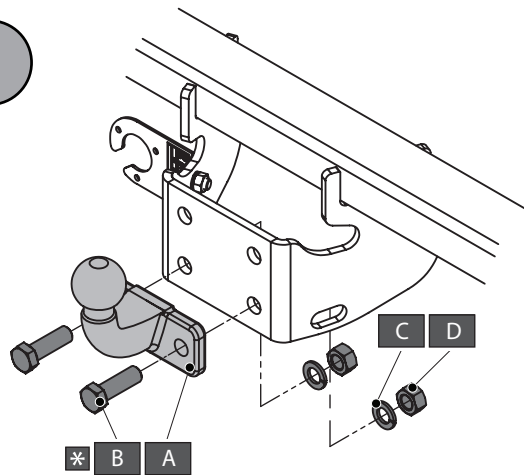
X4 BIND. SOK 28



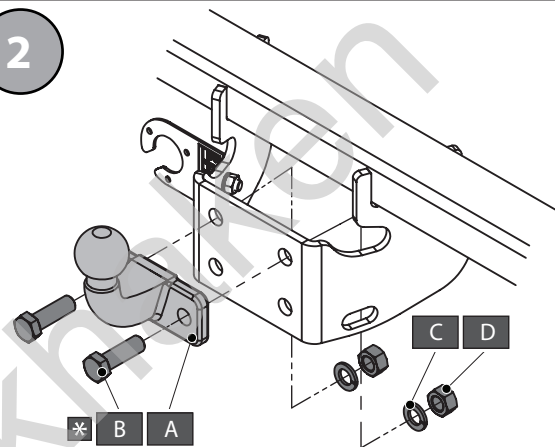




1



2

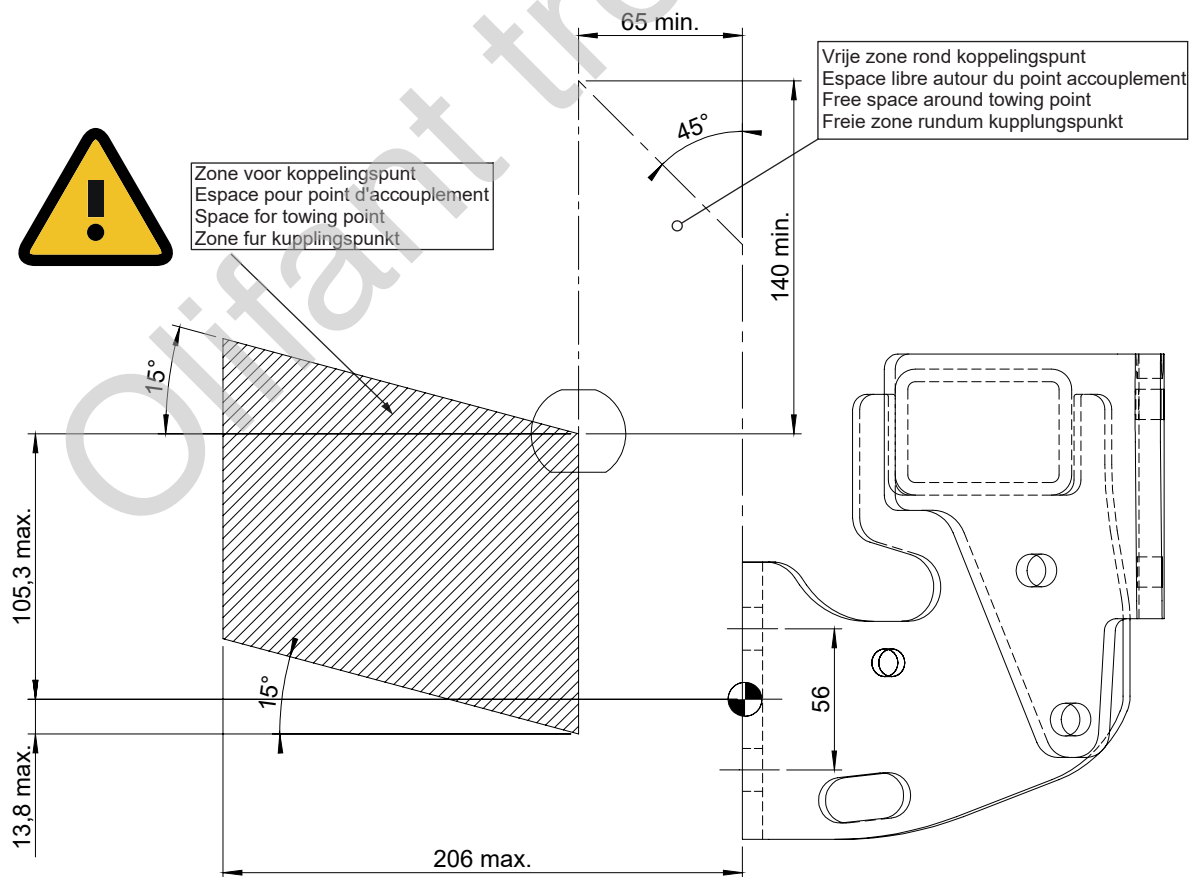


A		X1	740.000
B		X2	DIN933-M16 x 50
C		X2	DIN128A-M16
D		X2	DIN934-M16

!



Zone voor koppelingspunt  
Espace pour point d'accouplement  
Space for towing point  
Zone für Kupplungspunkt

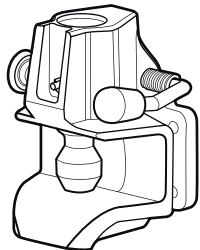


\*

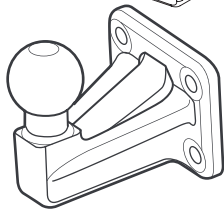
RK100WISSE

RK100BASIS

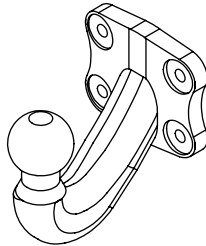
RK100KAP



RK243U115E



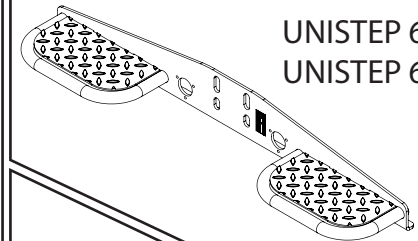
740.010



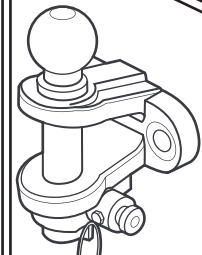
740.011



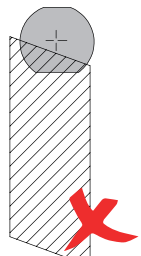
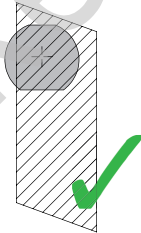
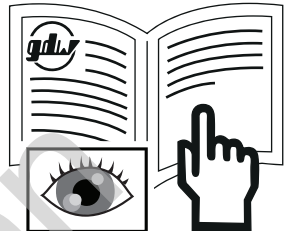
Art. **ADAPT83x56**



UNISTEP 630.100  
UNISTEP 630.110



740.043



Olifant trek

