

# PPUH AUTO-HAK Sp.J.

Henryk i Zbigniew Nejman  
ul. Słoneczna 16K 76-200 SŁUPSK  
POLAND

tel/fax +48 59 8 414 414; +48 59 8 414 413

e-mail: [office@autohak.com.pl](mailto:office@autohak.com.pl)

[www.autohak.com.pl](http://www.autohak.com.pl)



# AUTO-HAK

## PEUGEOT 207 3/5D

Cat. no:

**E30A**



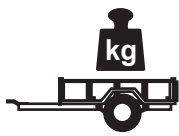
06.2006 →



E20-55R-01 5459



7,20 kN



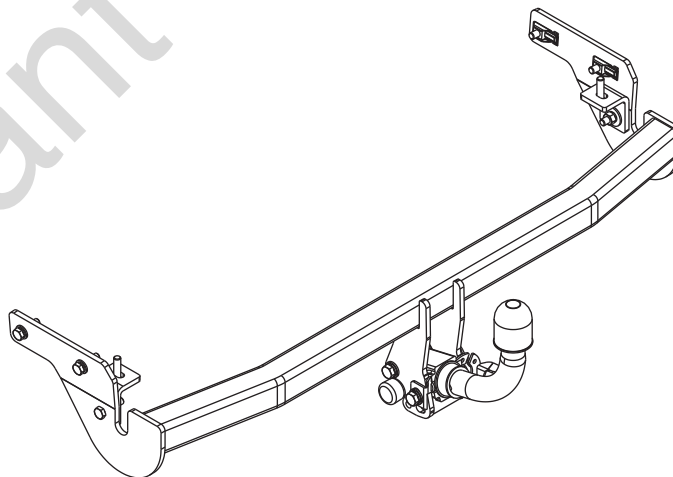
R=1200 kg



S=55 kg



2h



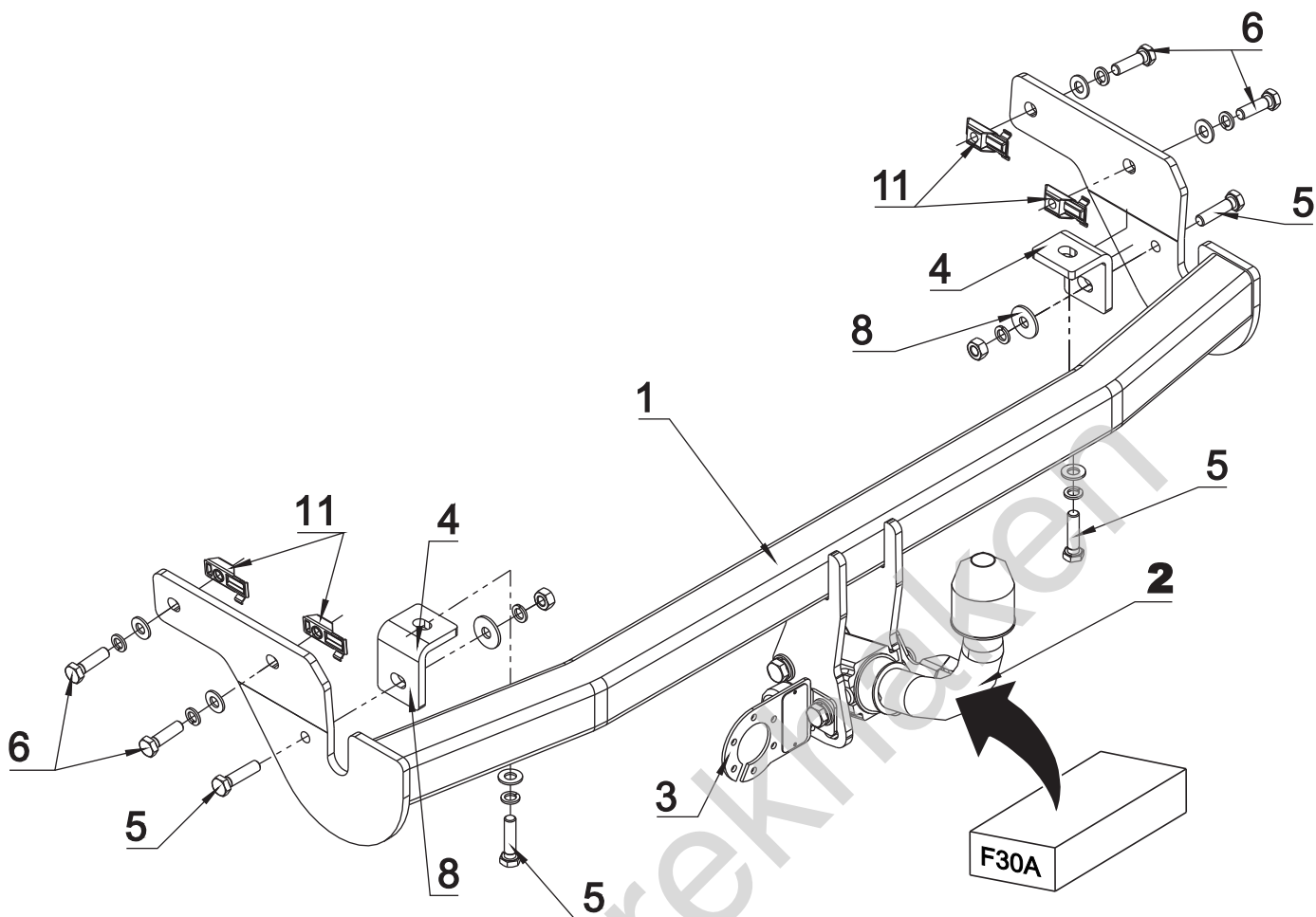
śruba	Nm	M6	M8	M10	M12	M14	M16
klasa 8.8		9,9	24	48	83	132	200
klasa 10.9		14	34	67	117	185	285

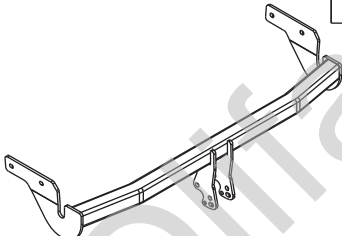

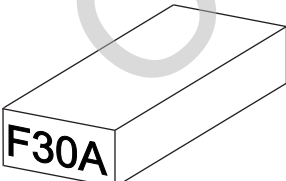

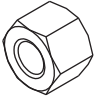
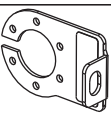

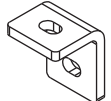


0 km →

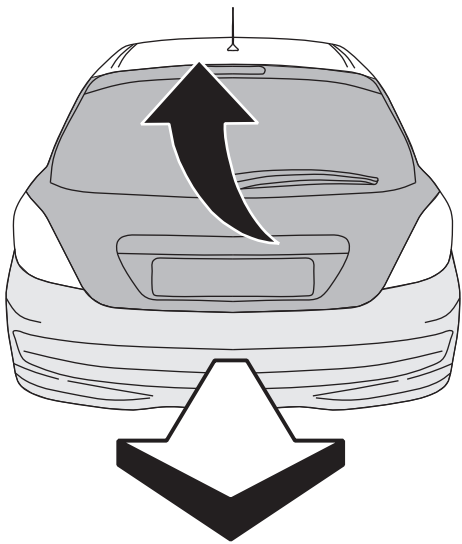


1000 km

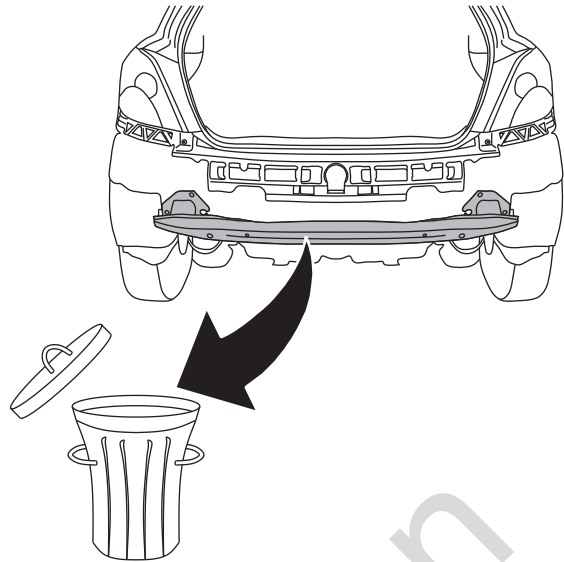


<b>1</b> 	<b>x1</b>		<b>5</b> M10x40	<b>x4</b>
			<b>6</b> M10x35	<b>x4</b>
			<b>7</b> $\varnothing$ 10.5	<b>x6</b>
			<b>8</b> $\varnothing$ 30x $\varnothing$ 10.5x2.5 10 DIN 9021	<b>x2</b>
<b>2</b> 	<b>x1</b>		<b>9</b> $\varnothing$ 10.2	<b>x8</b>
				<b>10</b> M10
<b>3</b> 	<b>x1</b>		<b>11</b> M10	<b>x4</b>
<b>4</b> 	<b>x2</b>		Art.nr-KL1F30A Art.nr-BL1F30A	

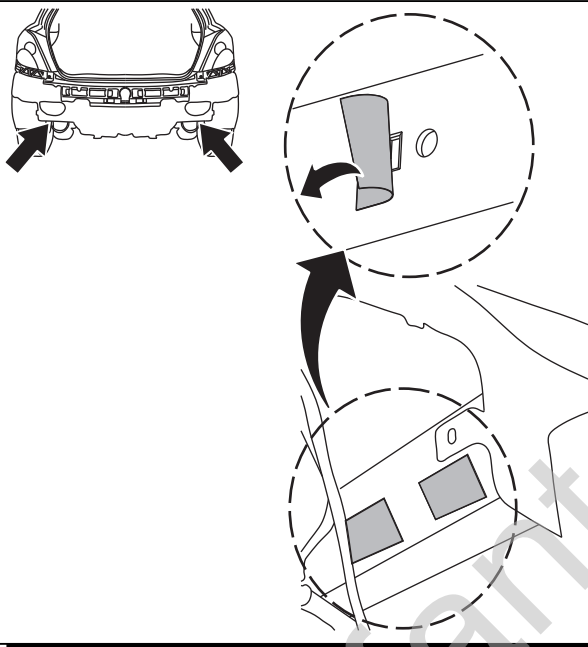
01



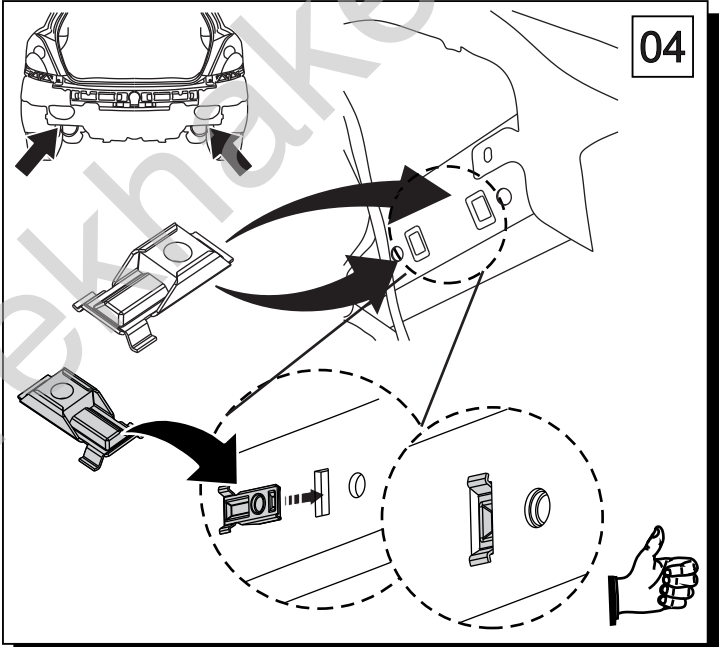
02



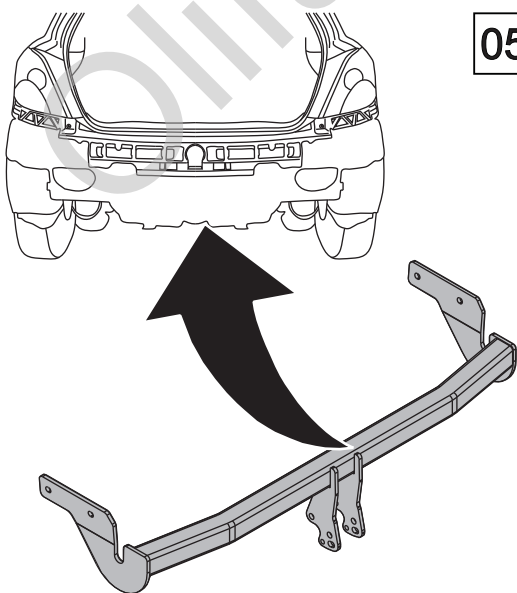
03



04



05



06

