

PPUH AUTO-HAK Sp.J.

Henryk i Zbigniew Nejman
ul. Słoneczna 16K 76-200 SŁUPSK
POLAND

tel/fax +48 59 8 414 414; +48 59 8 414 413

e-mail: office@autohak.com.pl

www.autohak.com.pl



AUTO-HAK

OPEL INSIGNIA SPORTS TOURER (KOMBI)

Cat. no:

E64A



06.2017 →



E20-55R-01 5377

D

11,3 kN



R=2200 kg



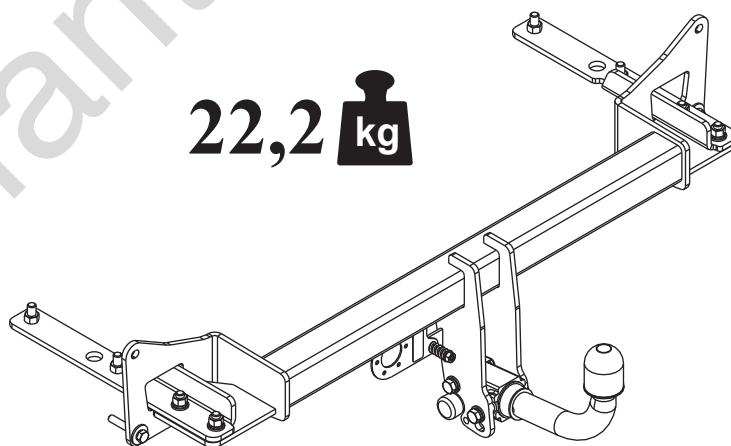
S=85 kg



2h



22,2 kg



M6 - 8,5 Nm
M10 - 41 Nm
M14 - 112 Nm

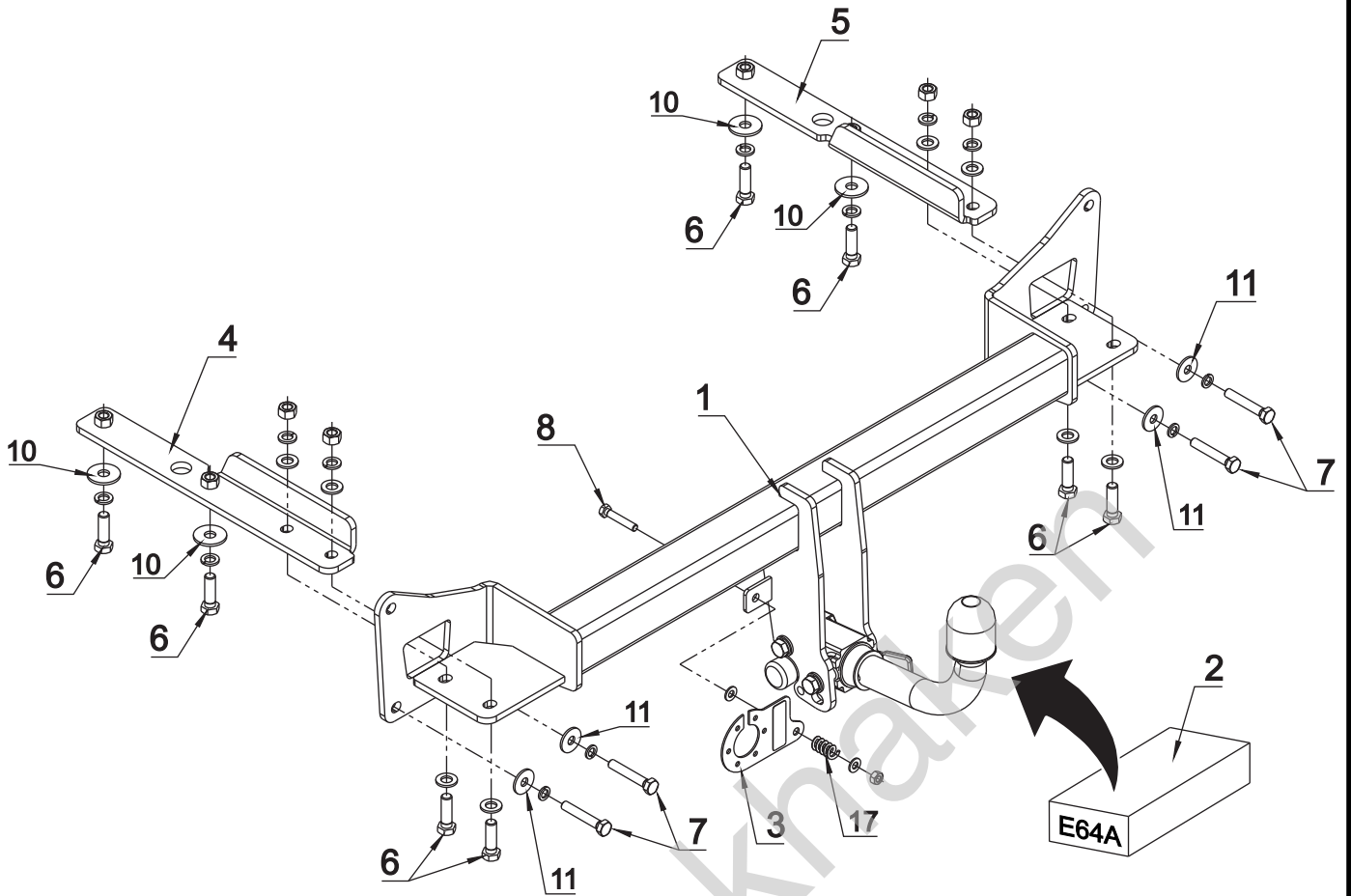
M8 - 20 Nm
M12 - 70 Nm
M16 - 170 Nm

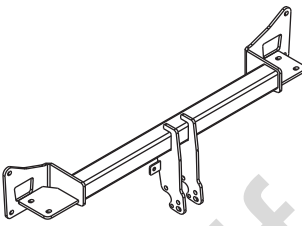

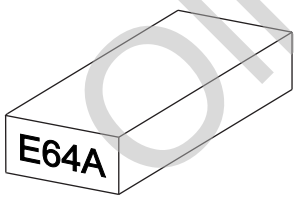

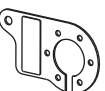

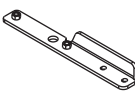

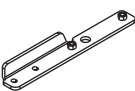

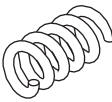


0 km →

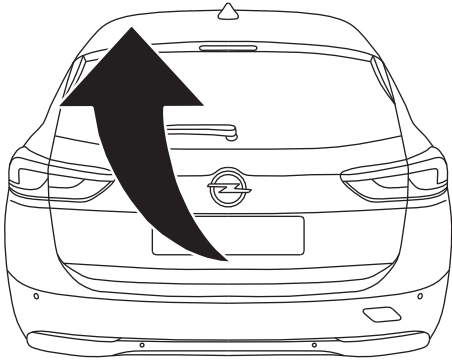


1000 km

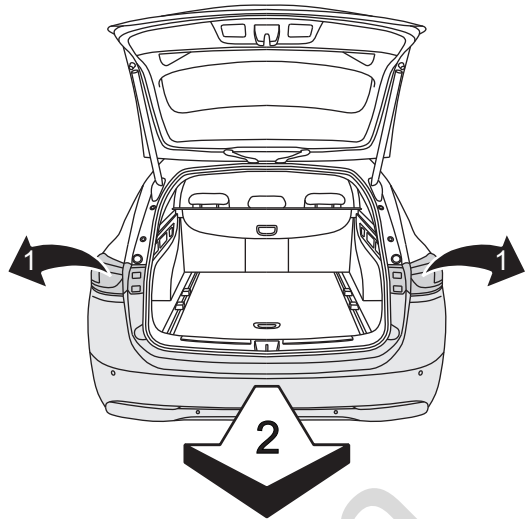


1		x 1		6	M12x40	x 8
				7	M10x60	x 4
2		x 1		8	M8x45	x 1
				9	∅ 13	x 8
3		x 1		10	∅ 37x∅13x3 13 (DIN 9021)	x 4
				11	∅ 30x∅10.5x2.5 10 (DIN 9021)	x 4
4		x 1		12	∅ 8.4	x 2
				13	∅ 12.2	x 8
5		x 1		14	∅ 10.2	x 4
				15	M12	x 6
				16	M8	x 1
			17		x 1	

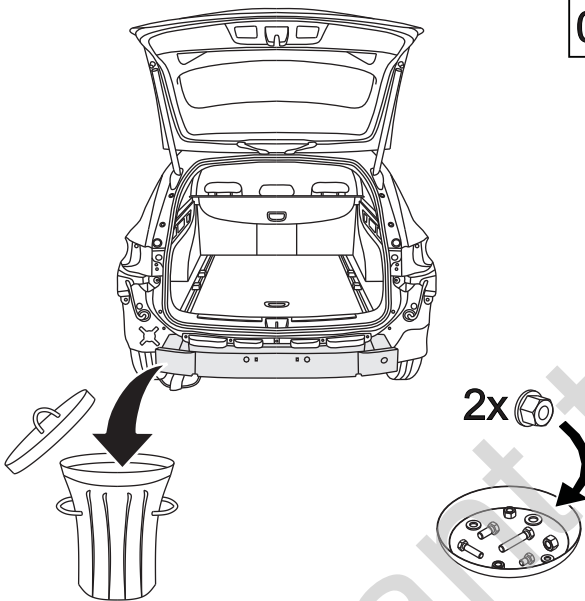
01



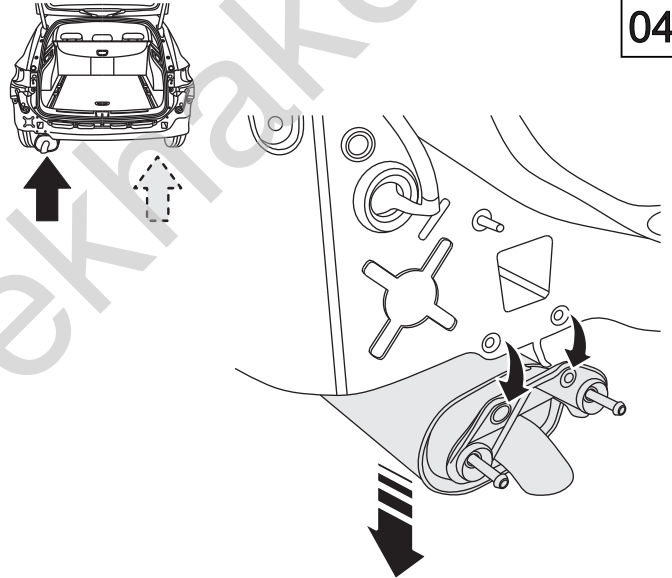
02



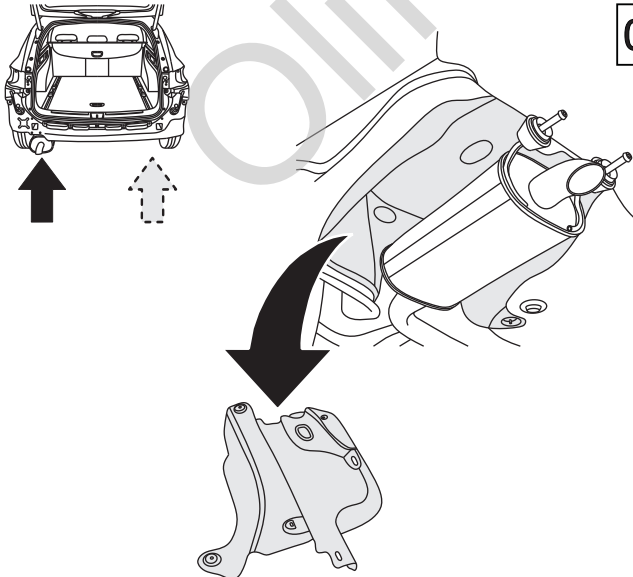
03



04



05



06

