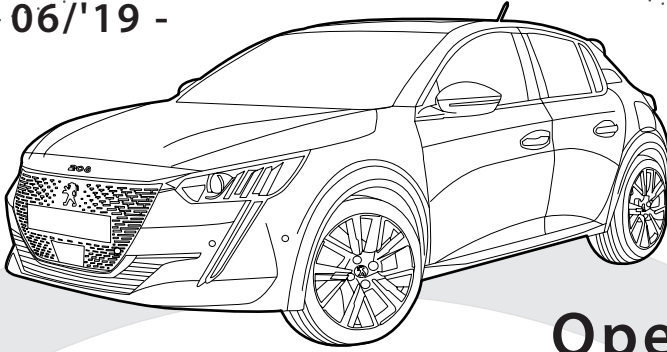


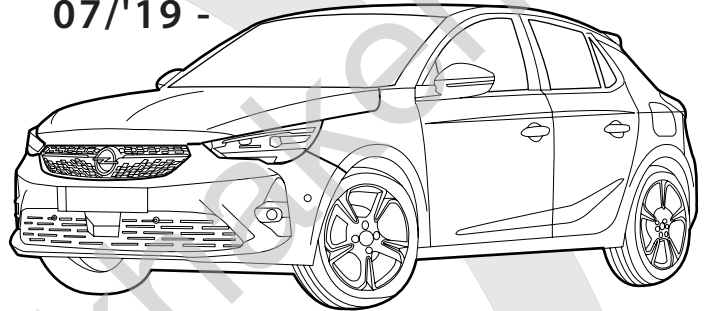


TREKHAKEN • ATTELAGES • ANHÄNGERVORRICHTUNGEN • TOWBARS • ENHANCES • ANHÆNGERTRÆK  
Montagehandleiding | instructions de montage | Einbauanleitung | Mounting instruction  
Instrucciones de montaje | monteringsvejledning

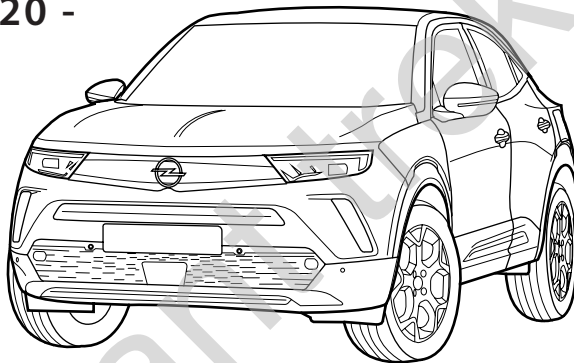
## Peugeot e208 II (UB, UP, UW) 06/'19 -



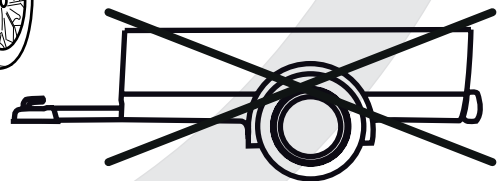
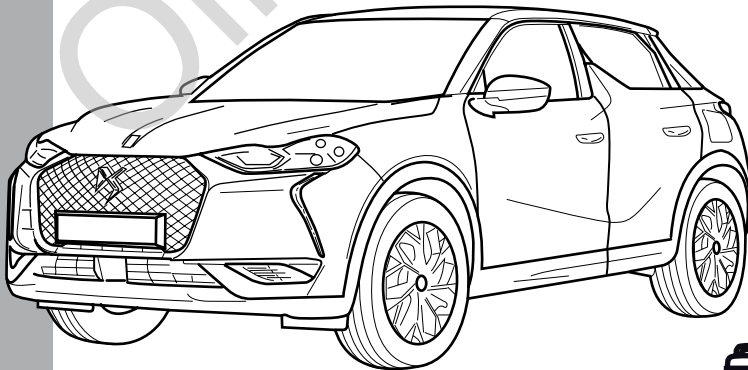
## Opel Corsa-e F 07/'19 -



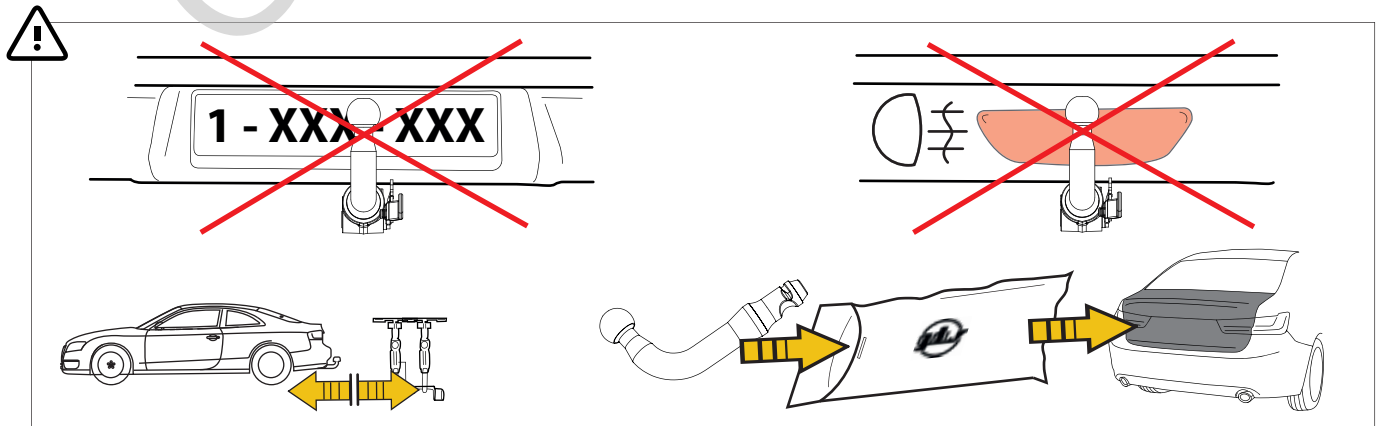
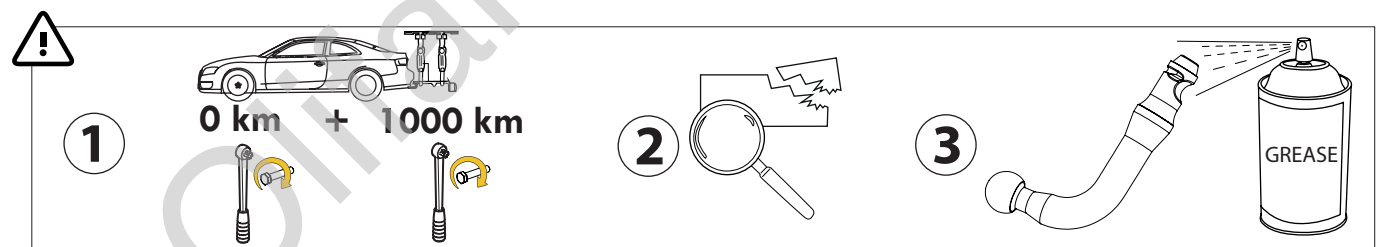
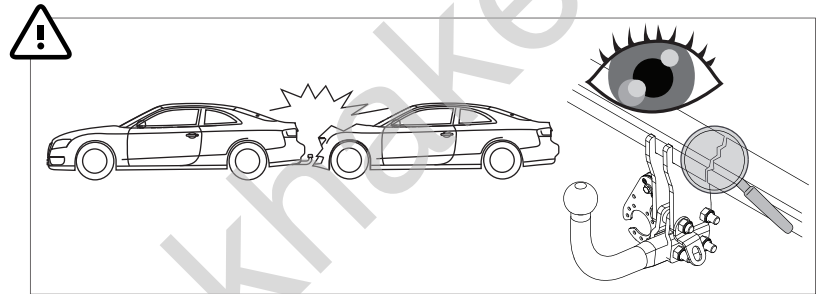
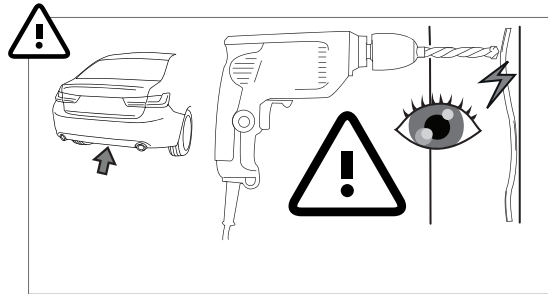
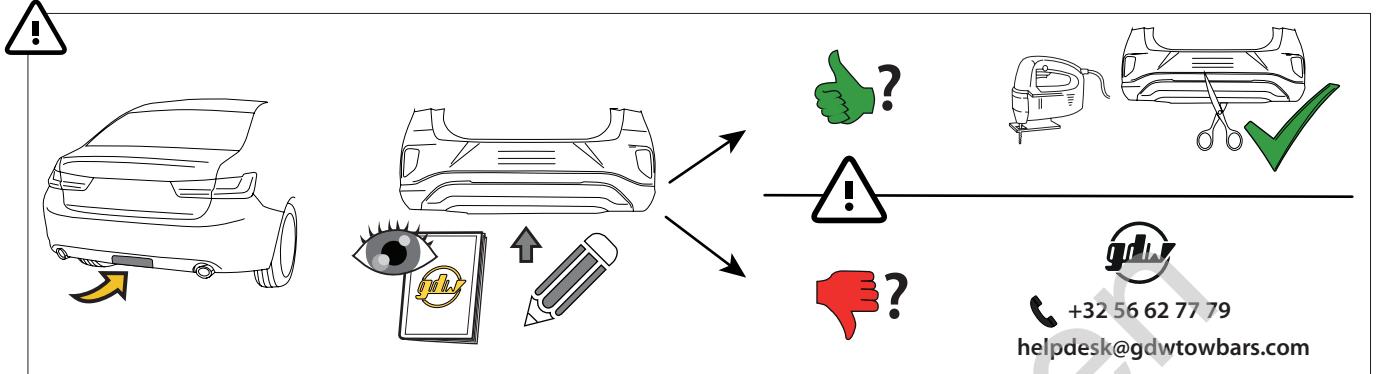
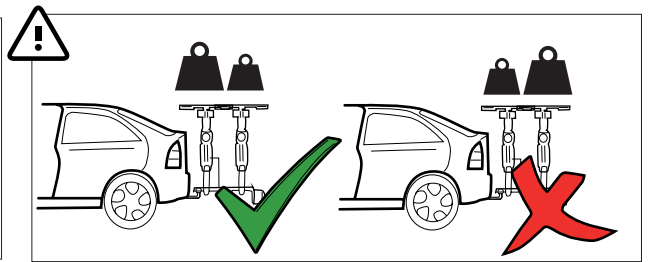
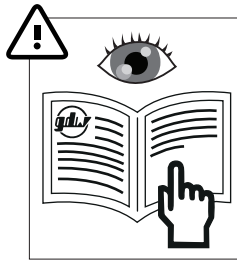
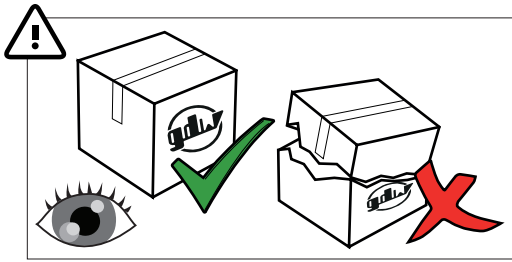
## Opel Mokka-e 06/'20 -



## DS3 Crossback E-Tense (UR, UC, UJ) 05/'19-



# NO TOWING



MADE BY



BELGIUM

**NO TOWING**

REF N°

2567T60

SERIAL N°

xxx

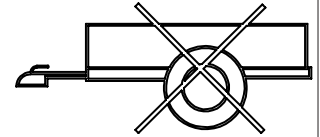
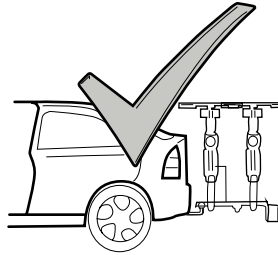
D 0,00

S 55

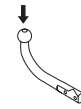
DISCRIPTION

Peugeot e-208 & Opel Corsa-e & Opel Mokka-e & DS3 Crossback E-Tense

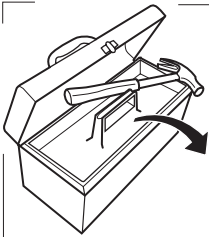
**NO TOWING**



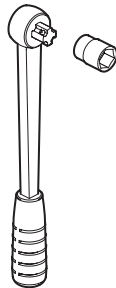
S =



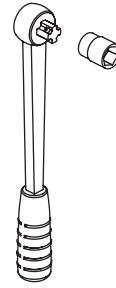
= 55 kg



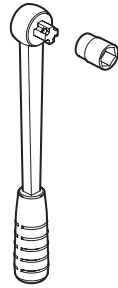
10



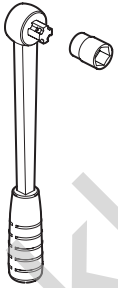
13



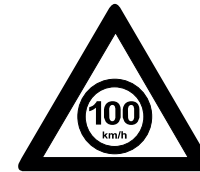
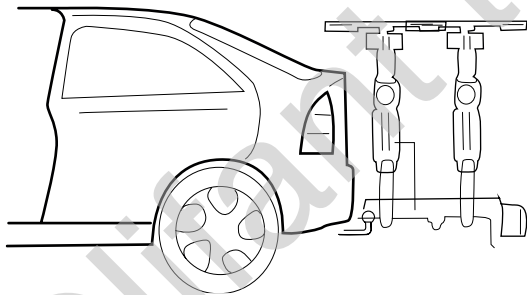
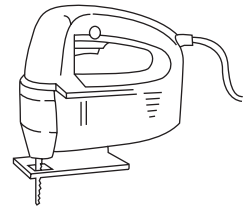
17

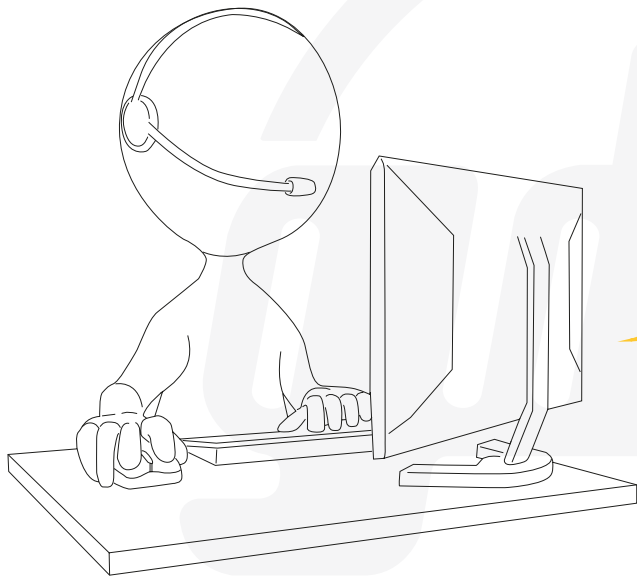


19



TX20





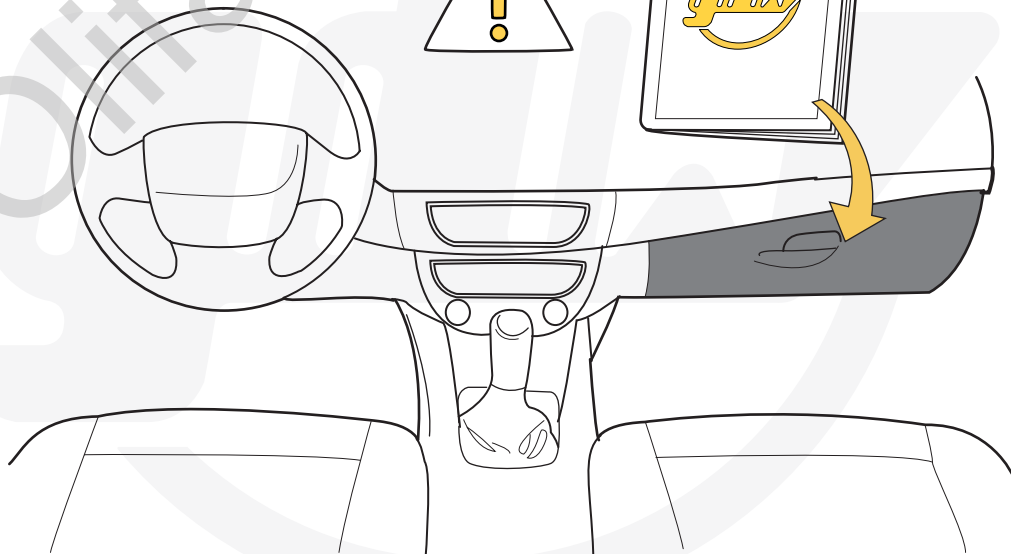
**helpdesk@gdwtowbars.com**

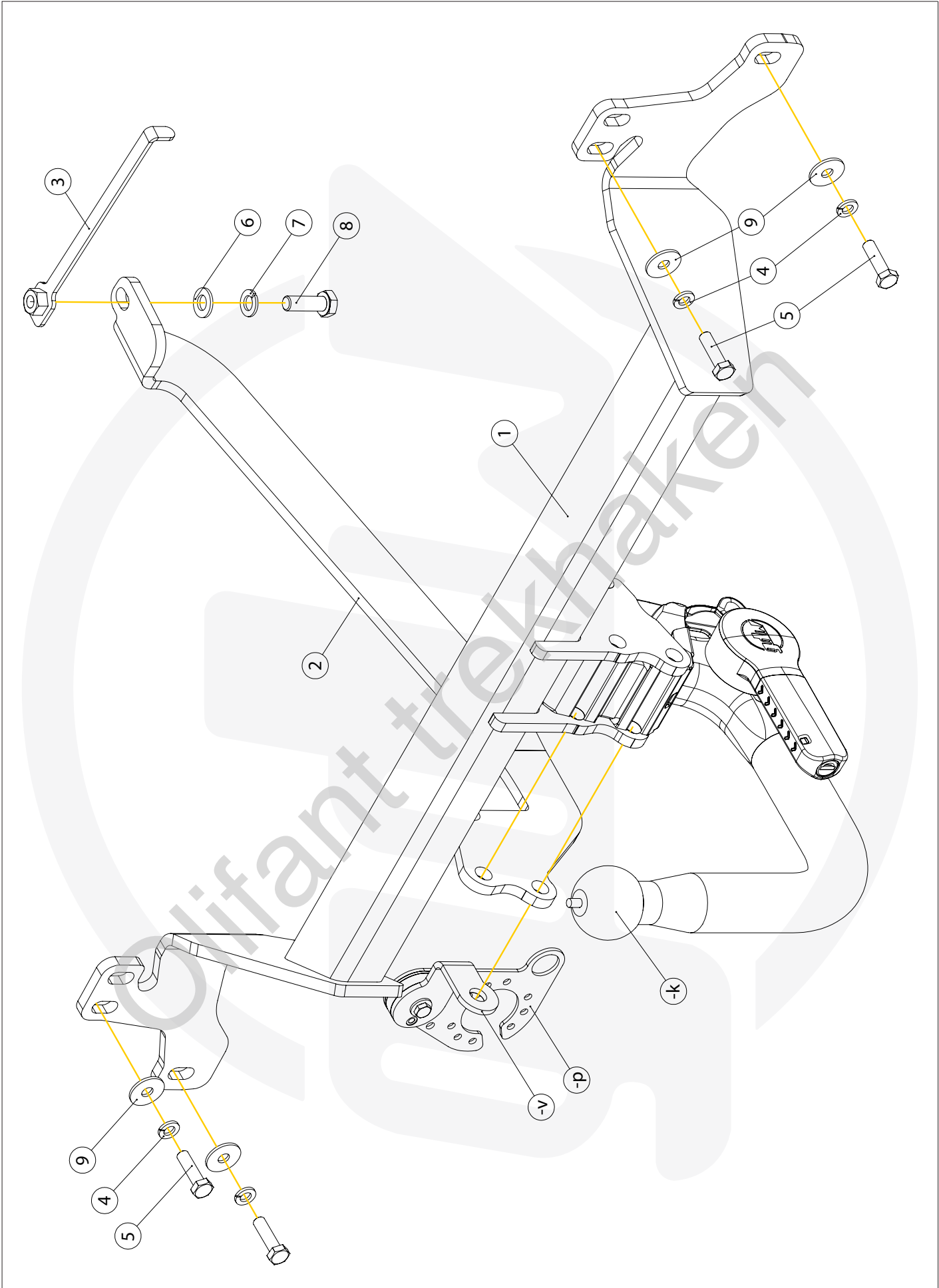
**+32 56 62 77 79**

Monday	08:00 - 12:00	12:30 - 16:30
Tuesday	08:00 - 12:00	12:30 - 16:30
Wednesday	08:00 - 12:00	12:30 - 16:30
Thursday	08:00 - 12:00	12:30 - 16:30
Friday	08:00 - 12:00	12:30 - 15:30



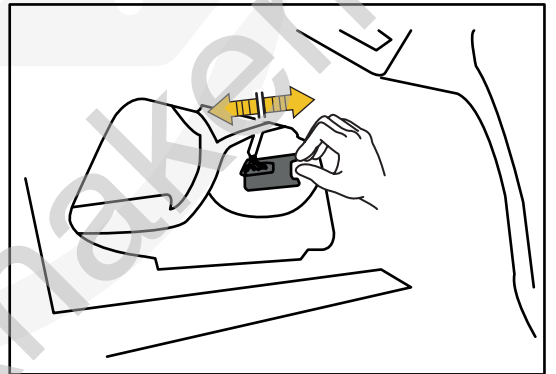
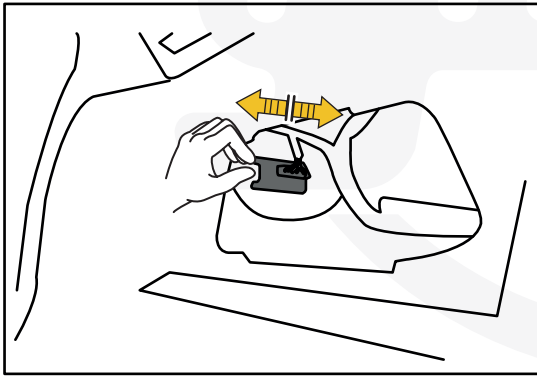
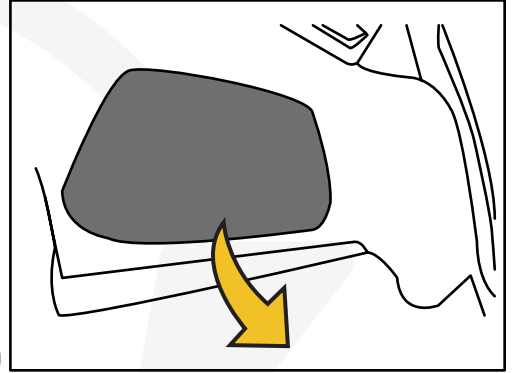
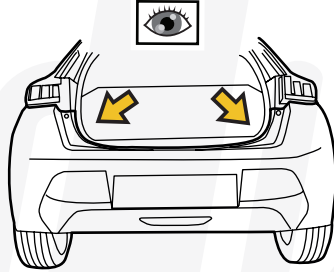
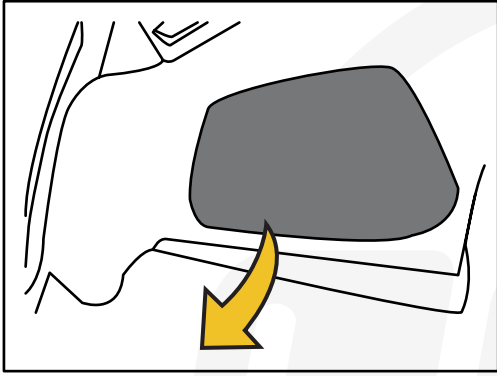
**KEY NUMBER**



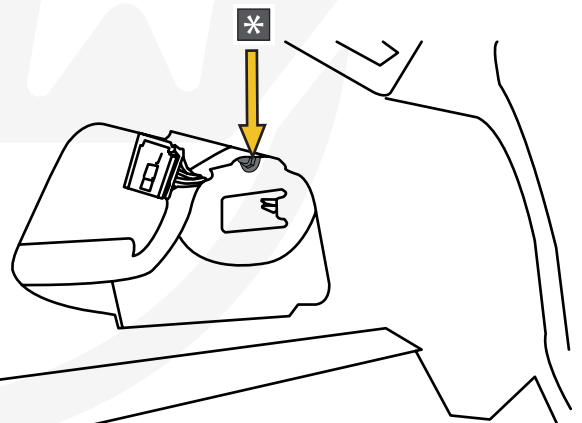
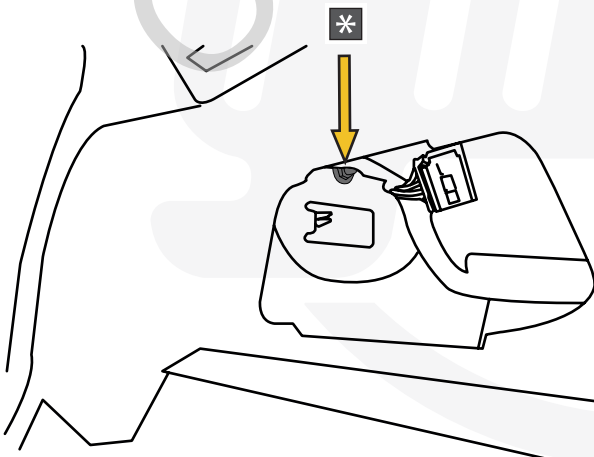
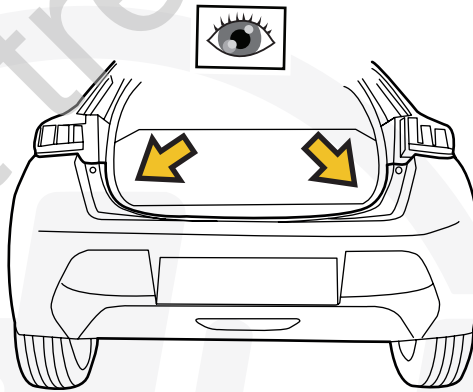
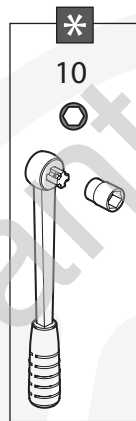




1



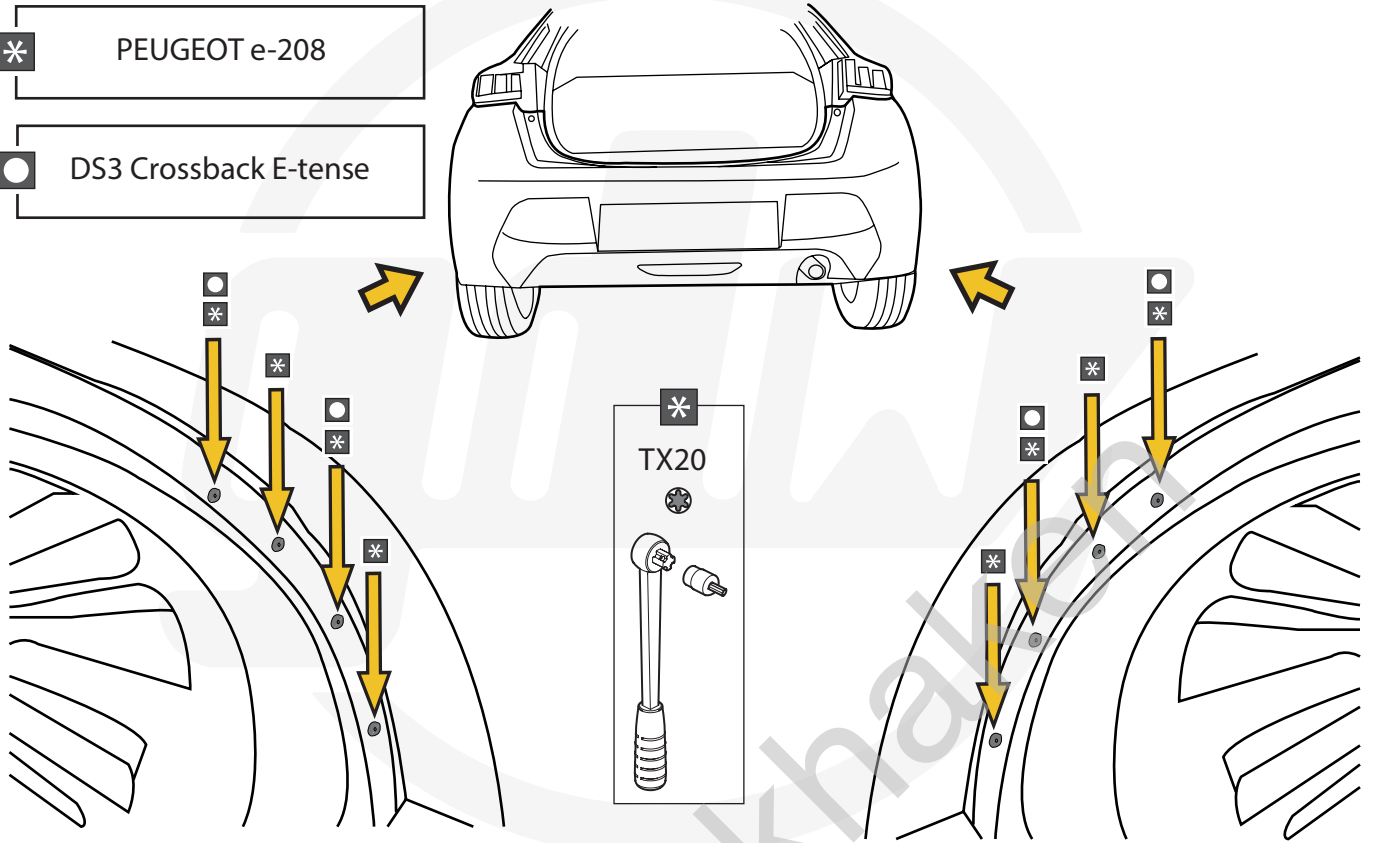
2



3

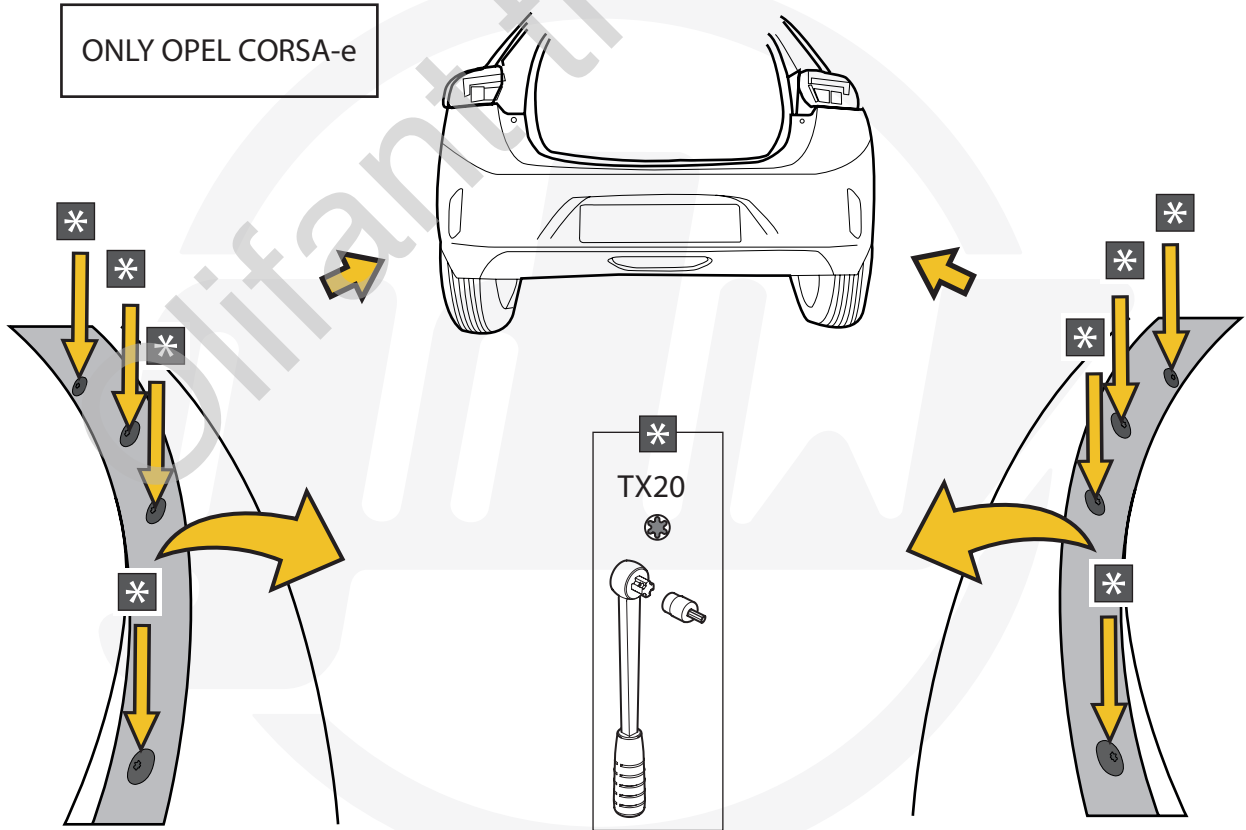
\* PEUGEOT e-208

● DS3 Crossback E-tense

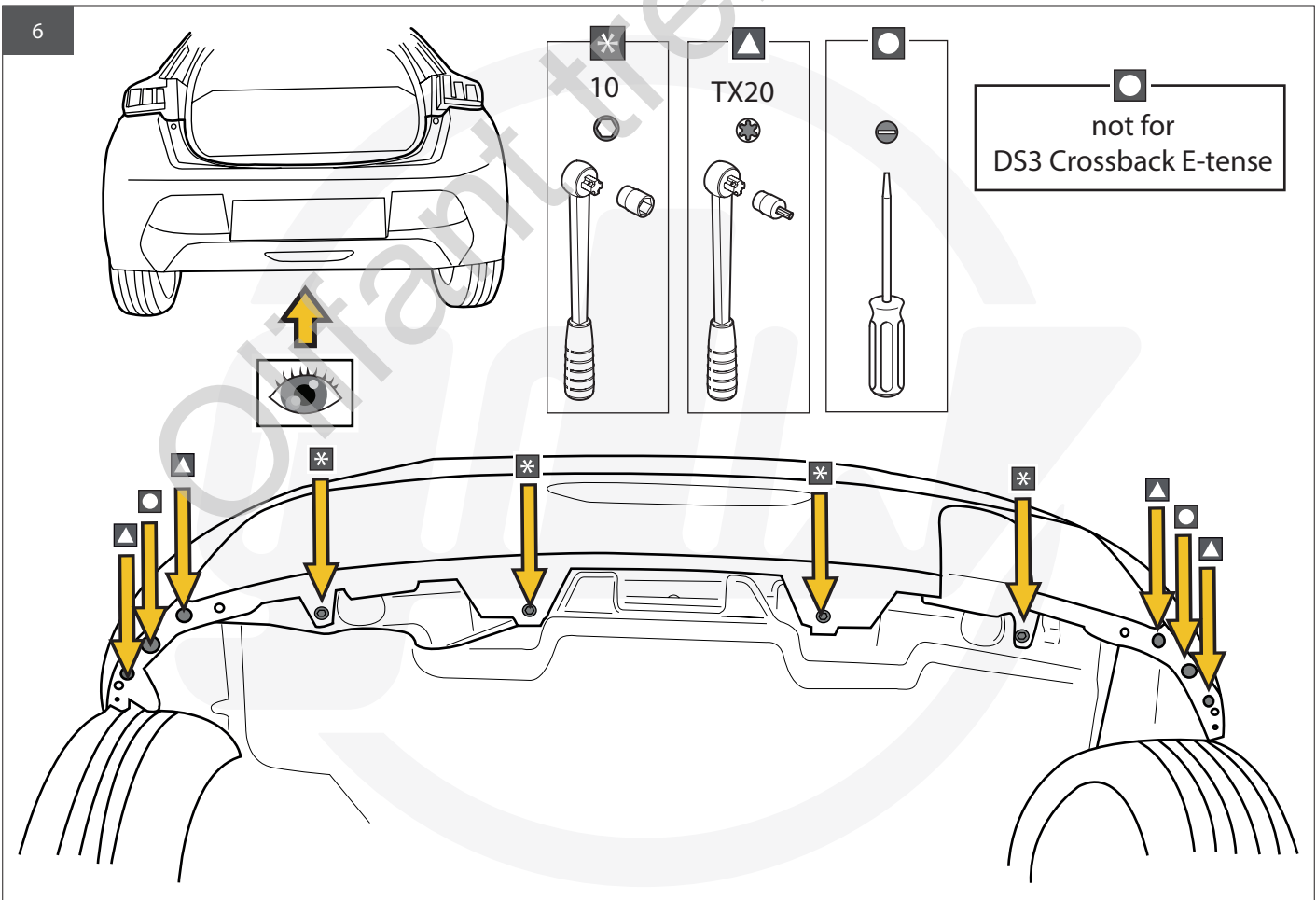
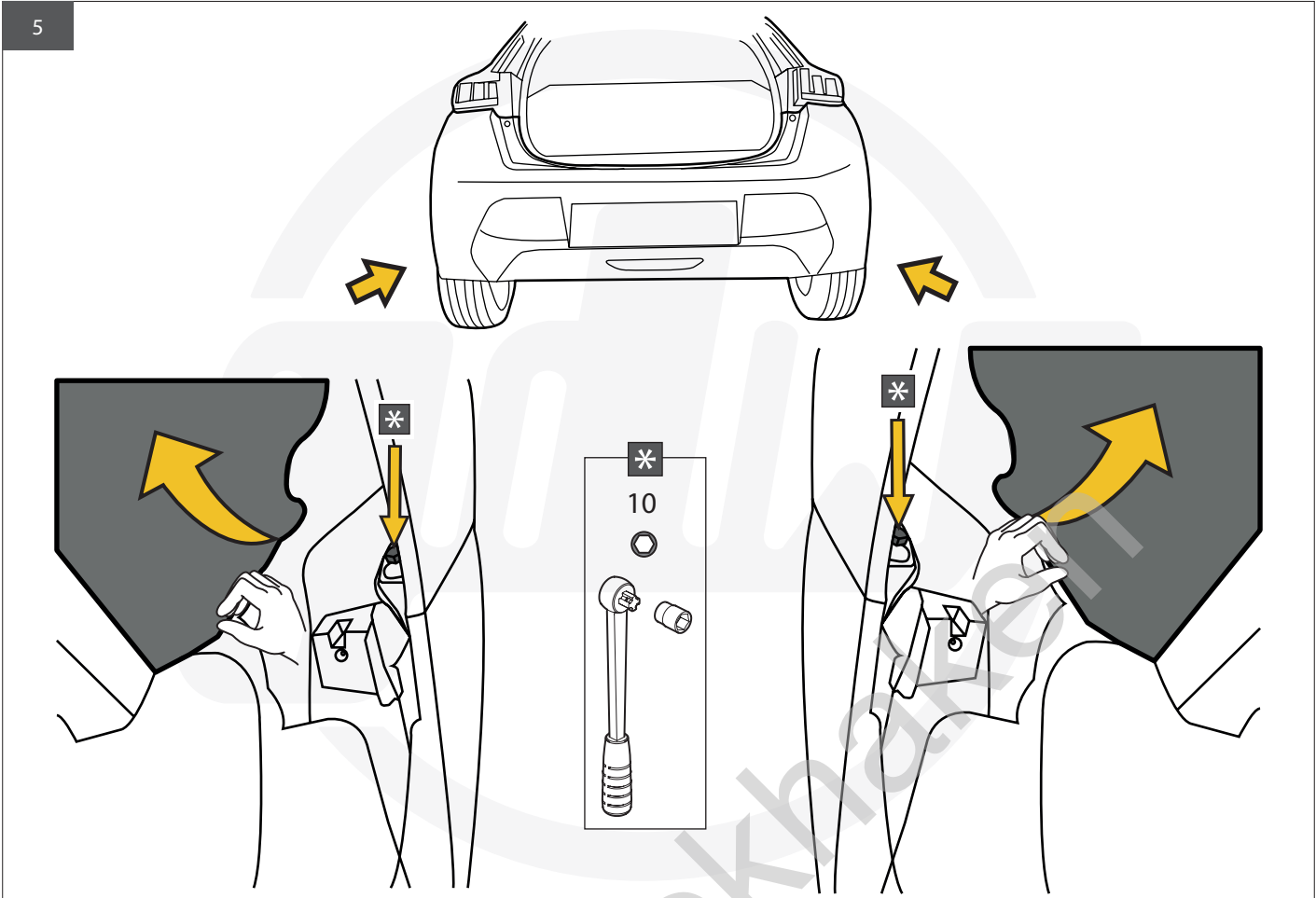


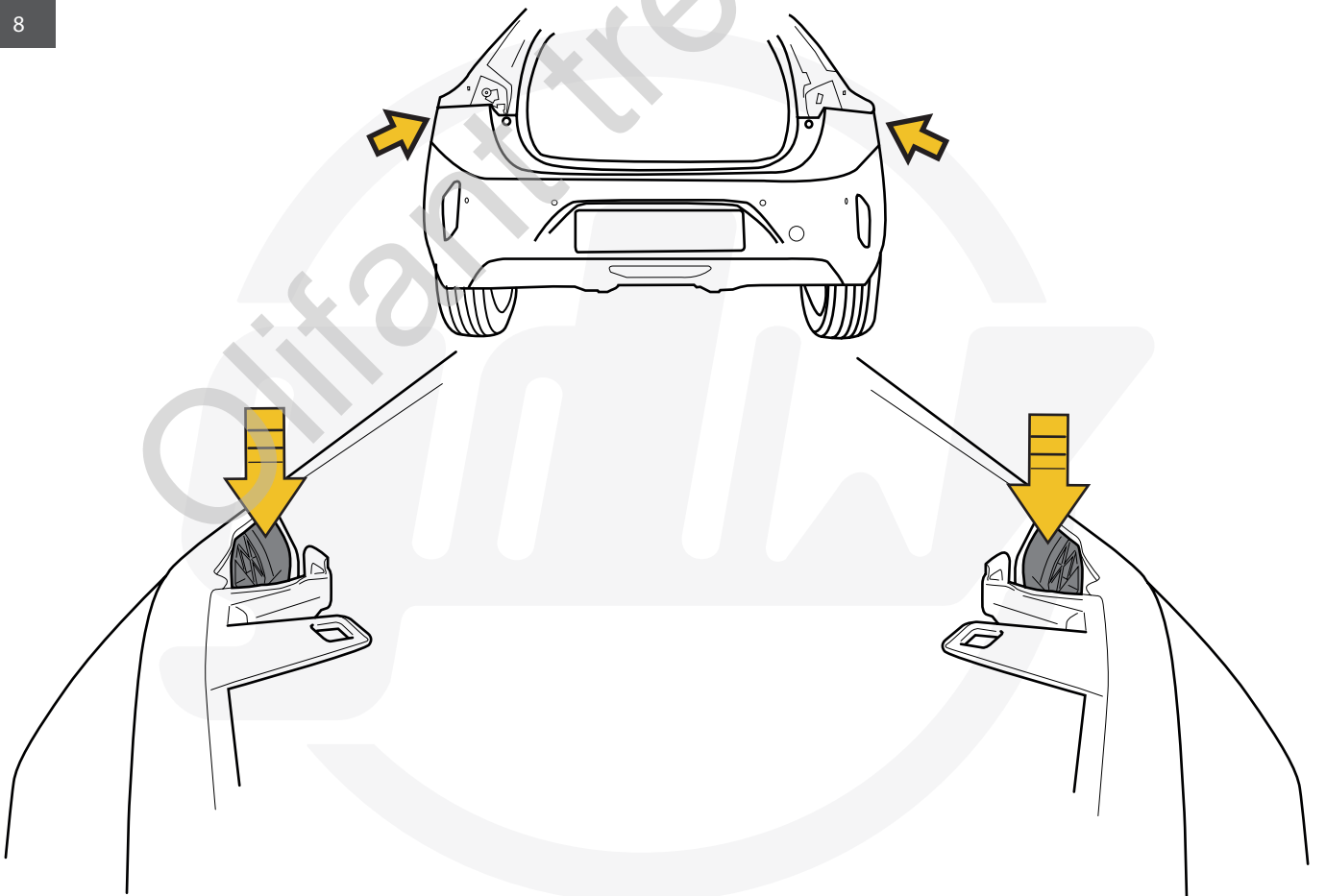
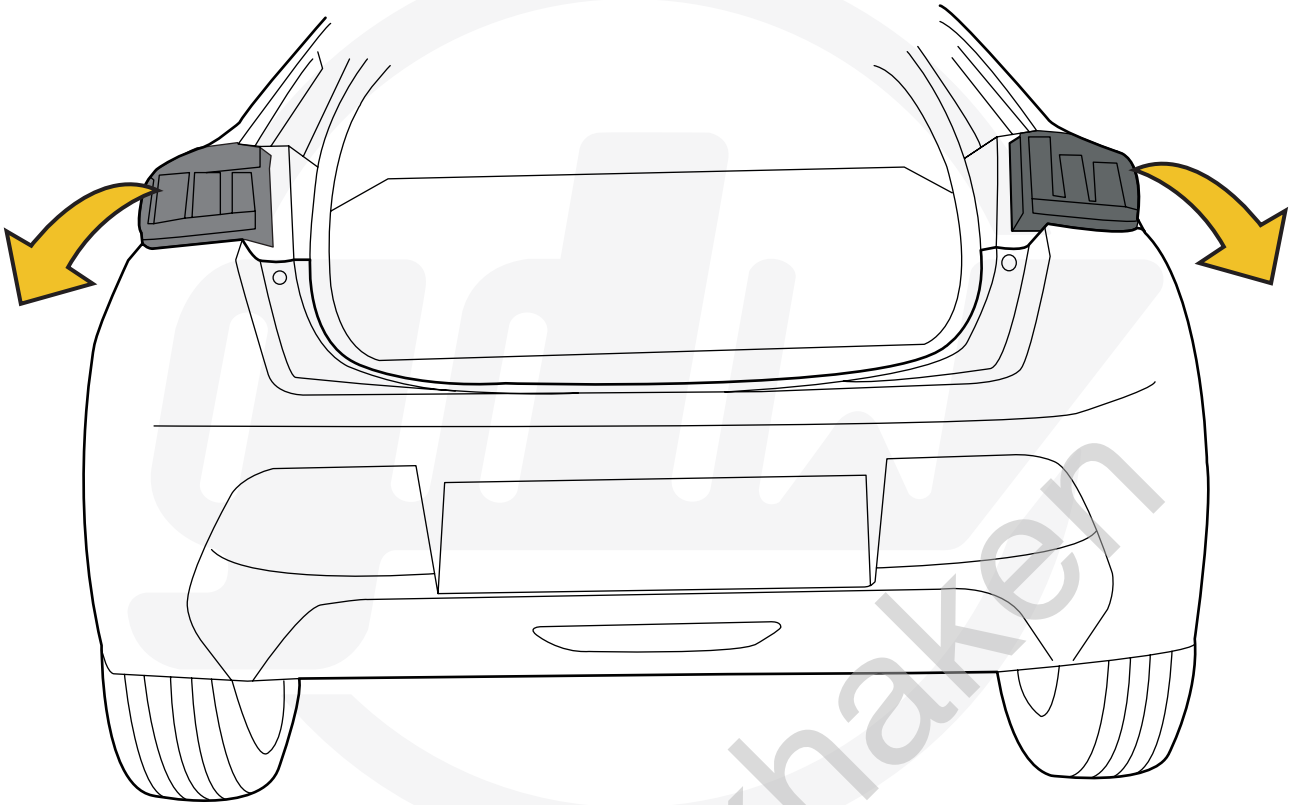
4

ONLY OPEL CORSA-e

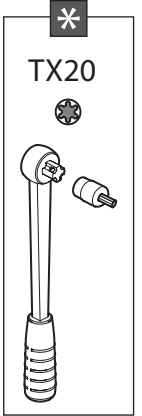
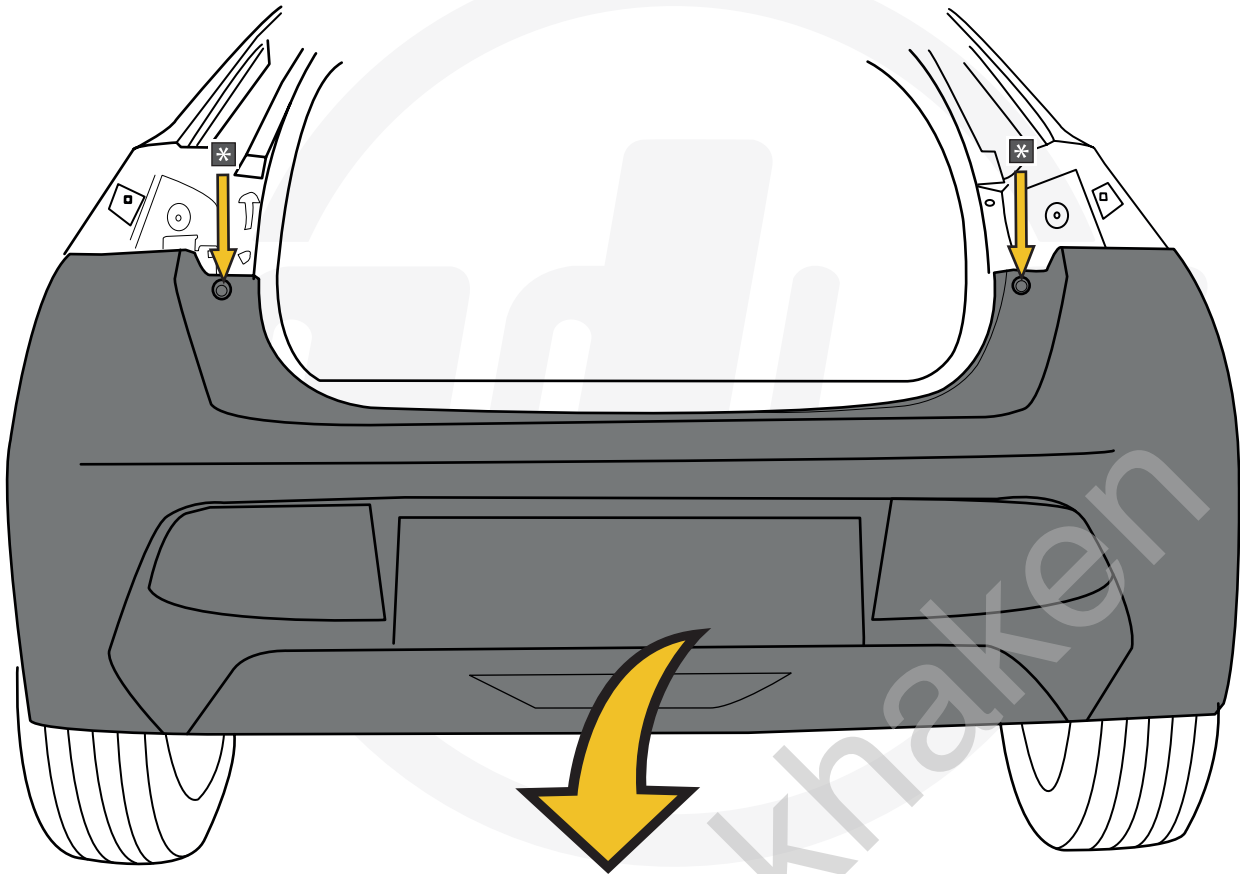




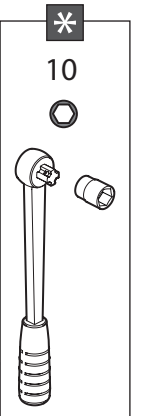
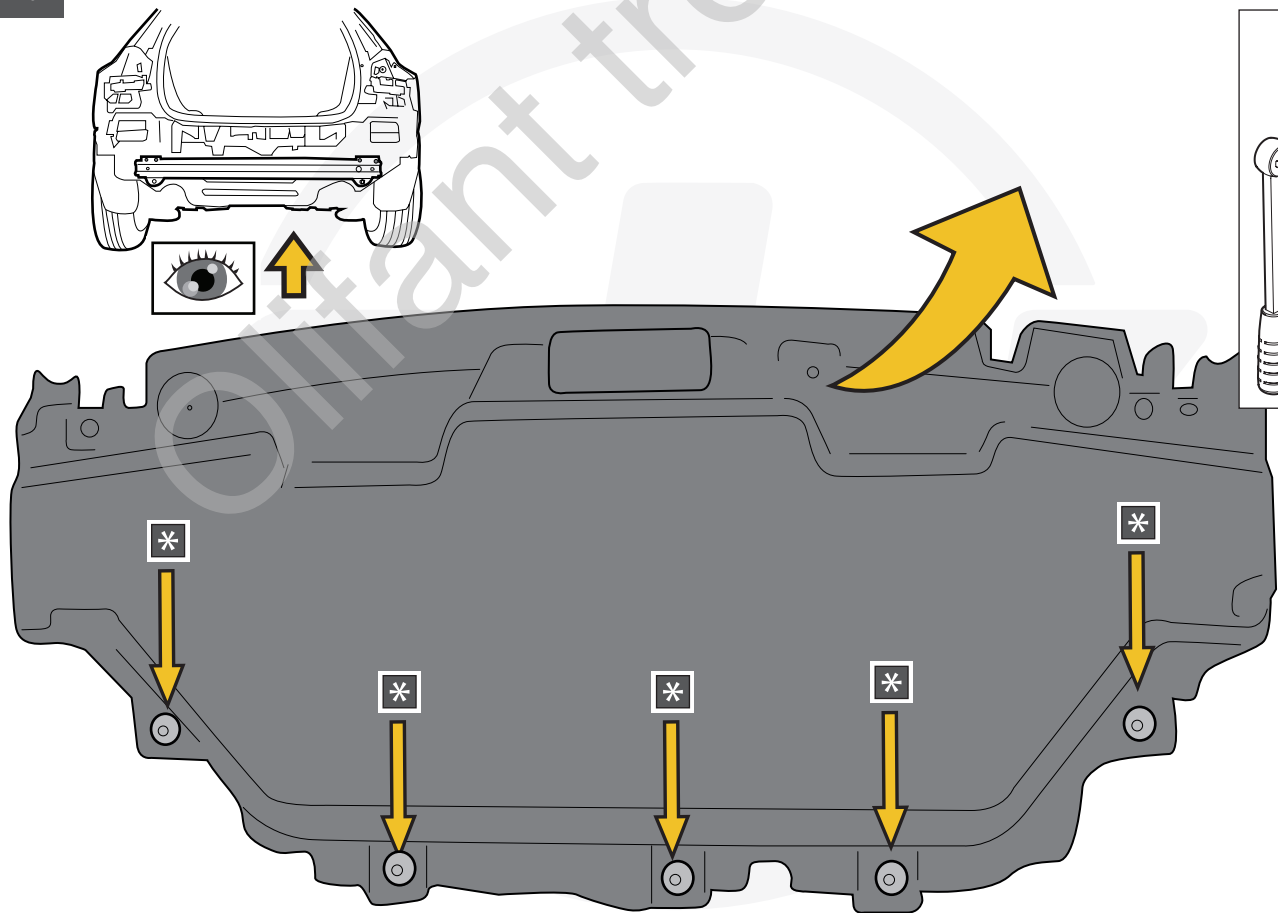


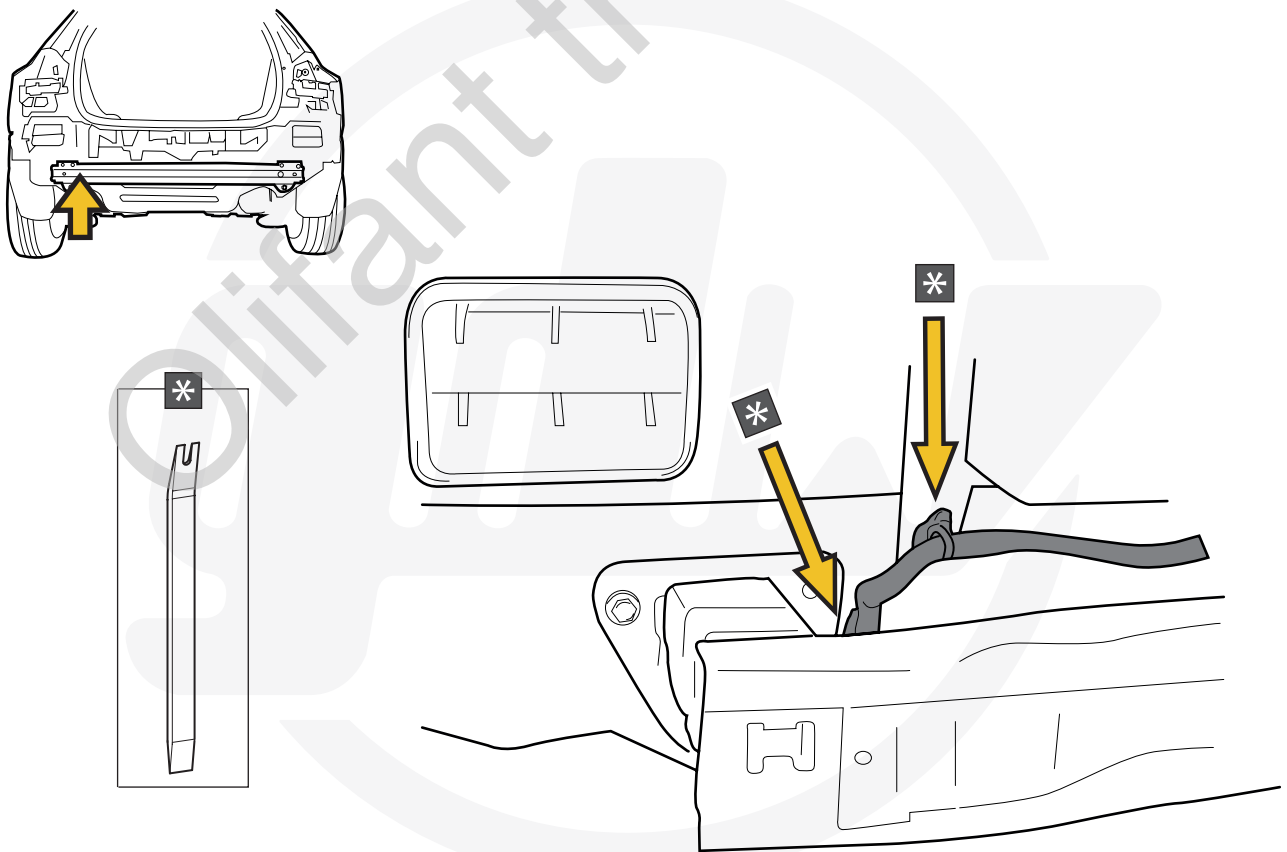
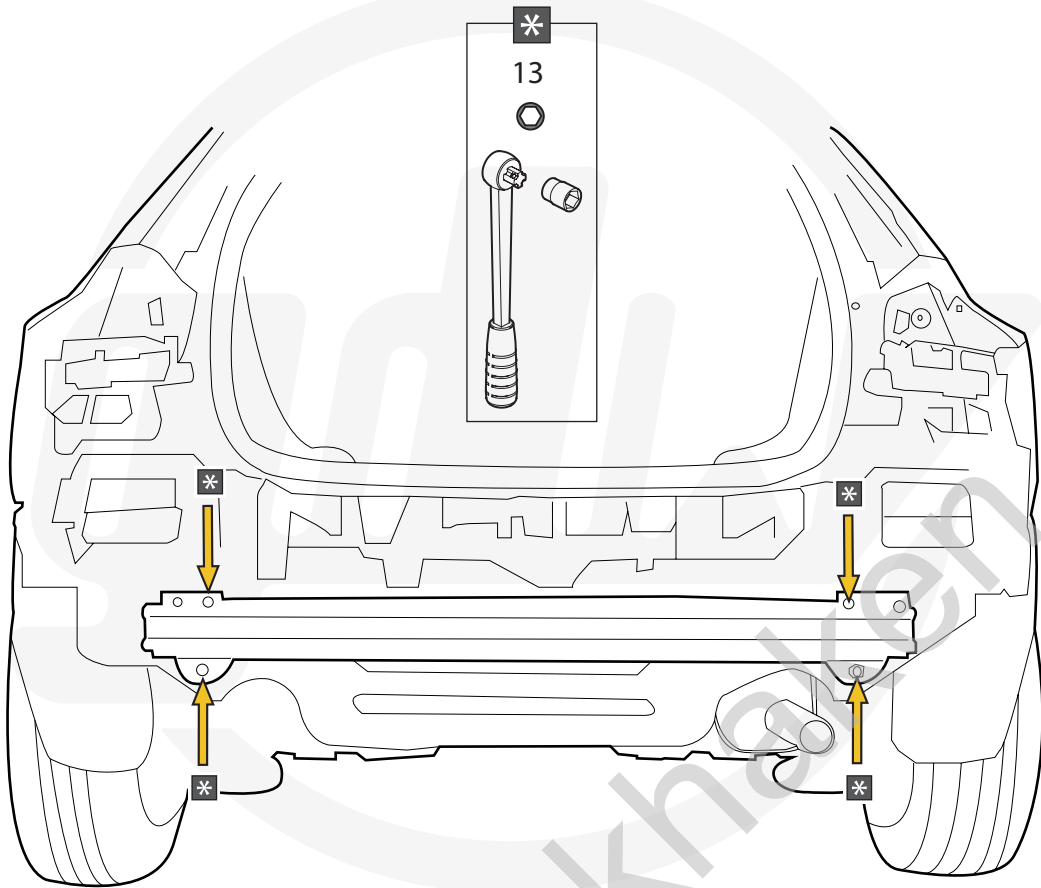


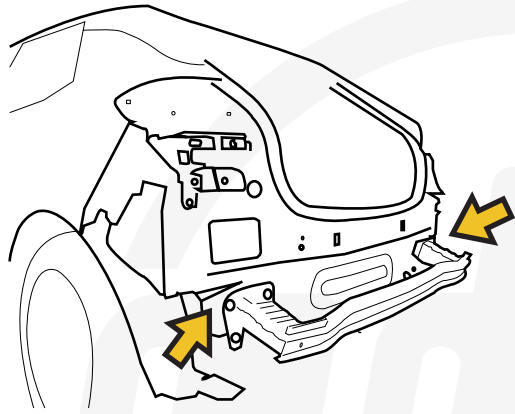
9



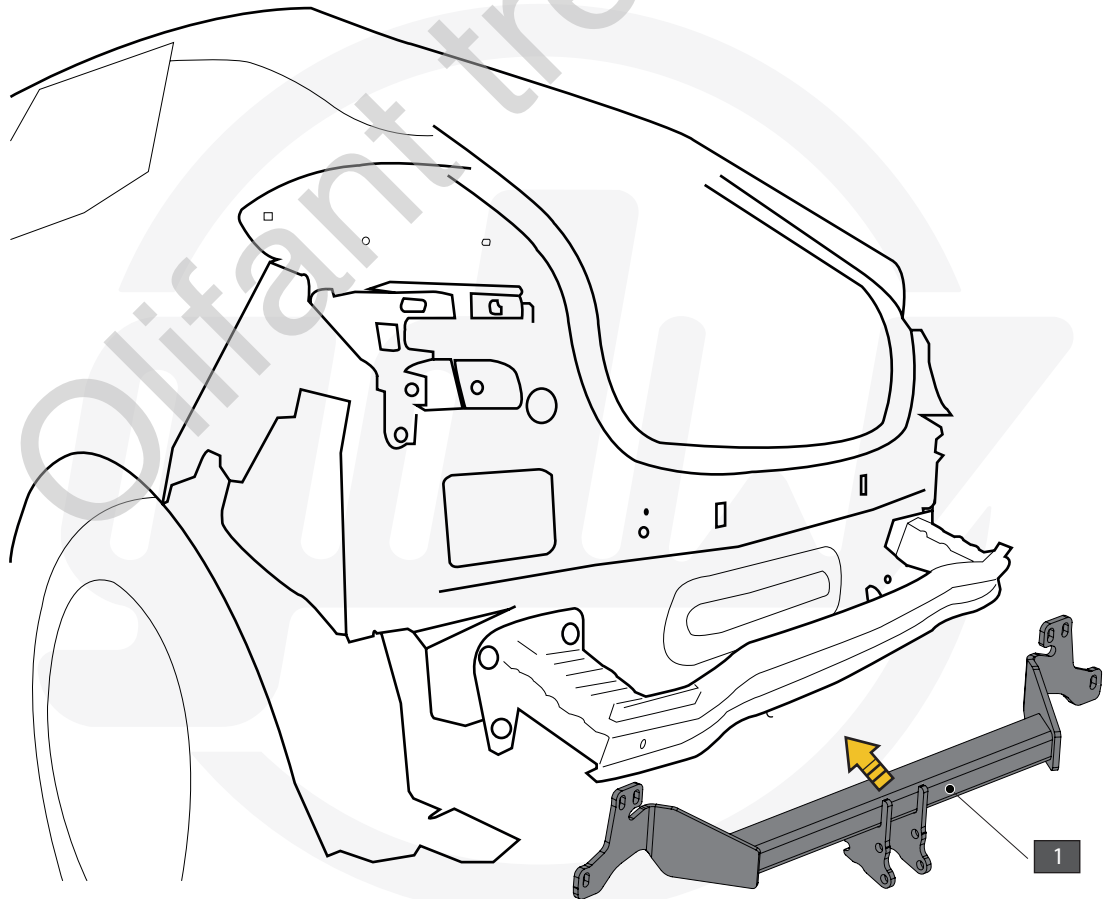
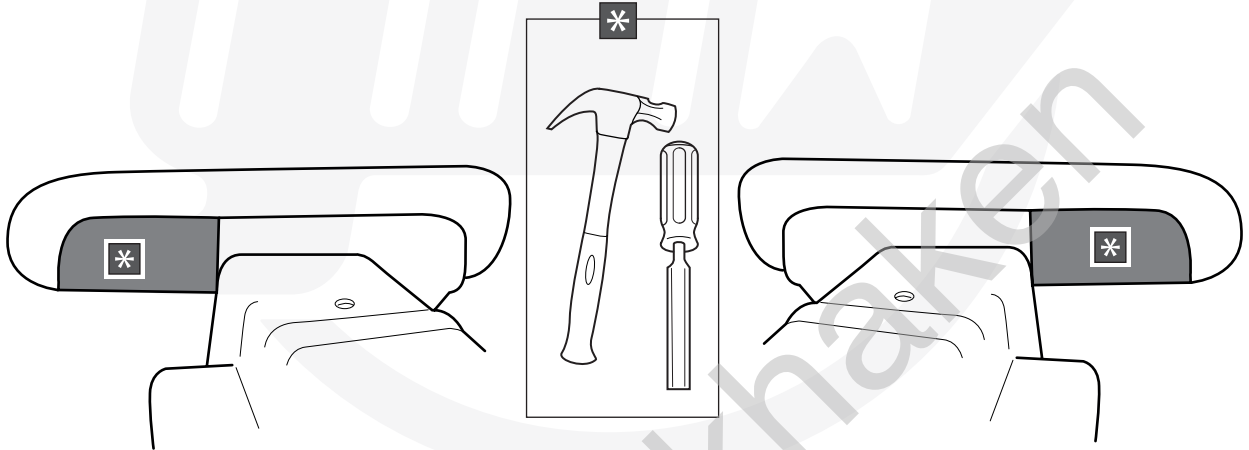
10

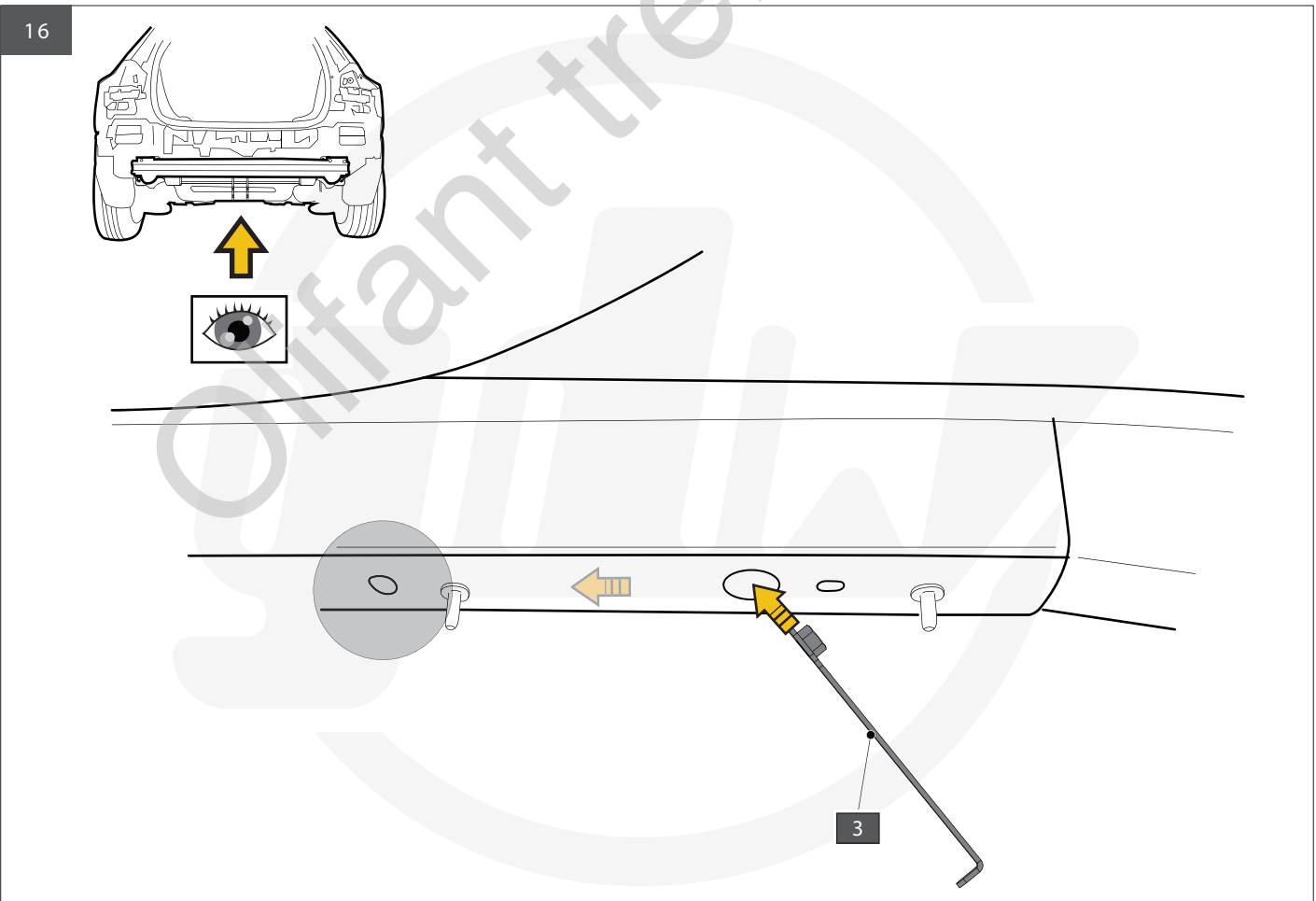
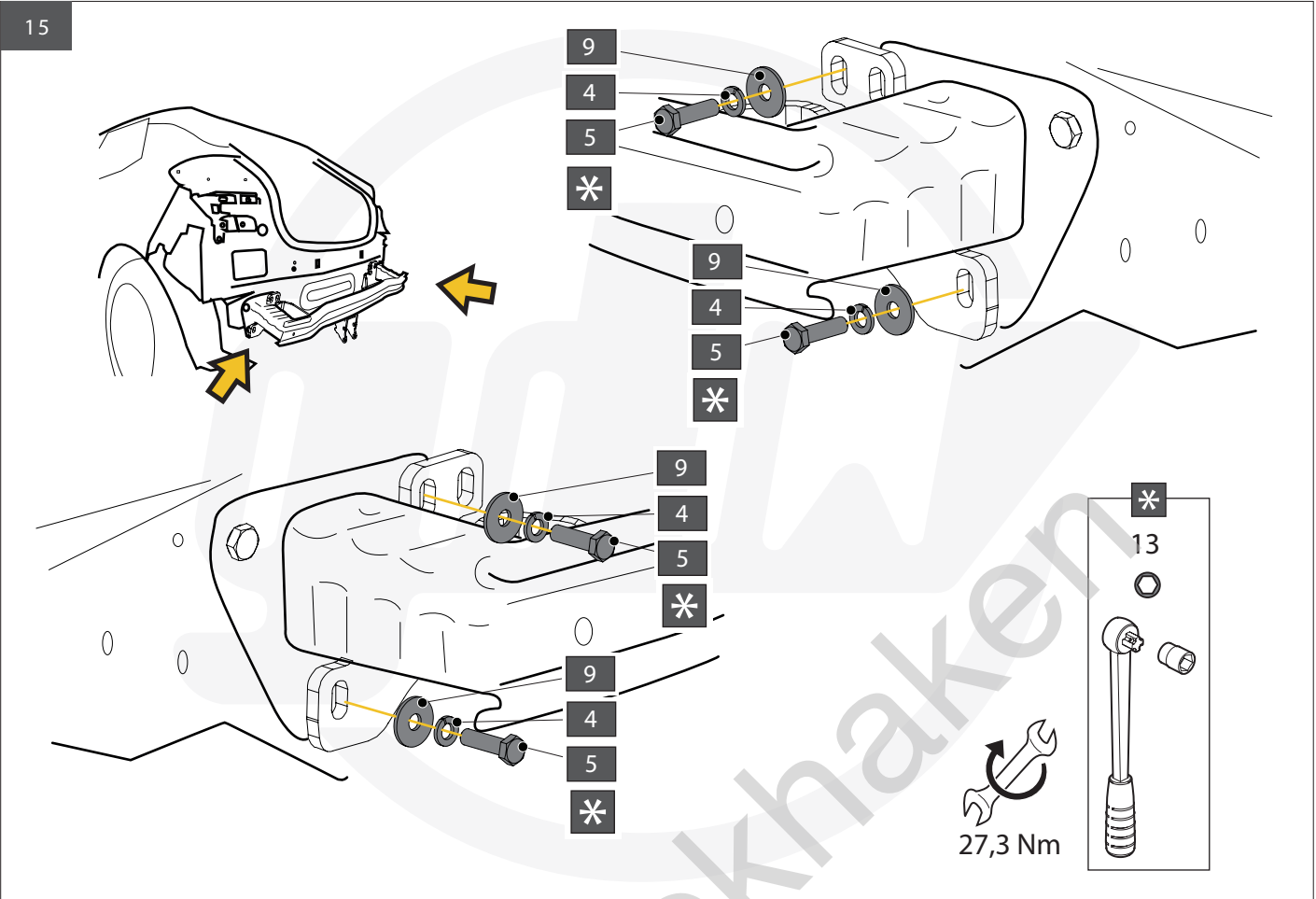


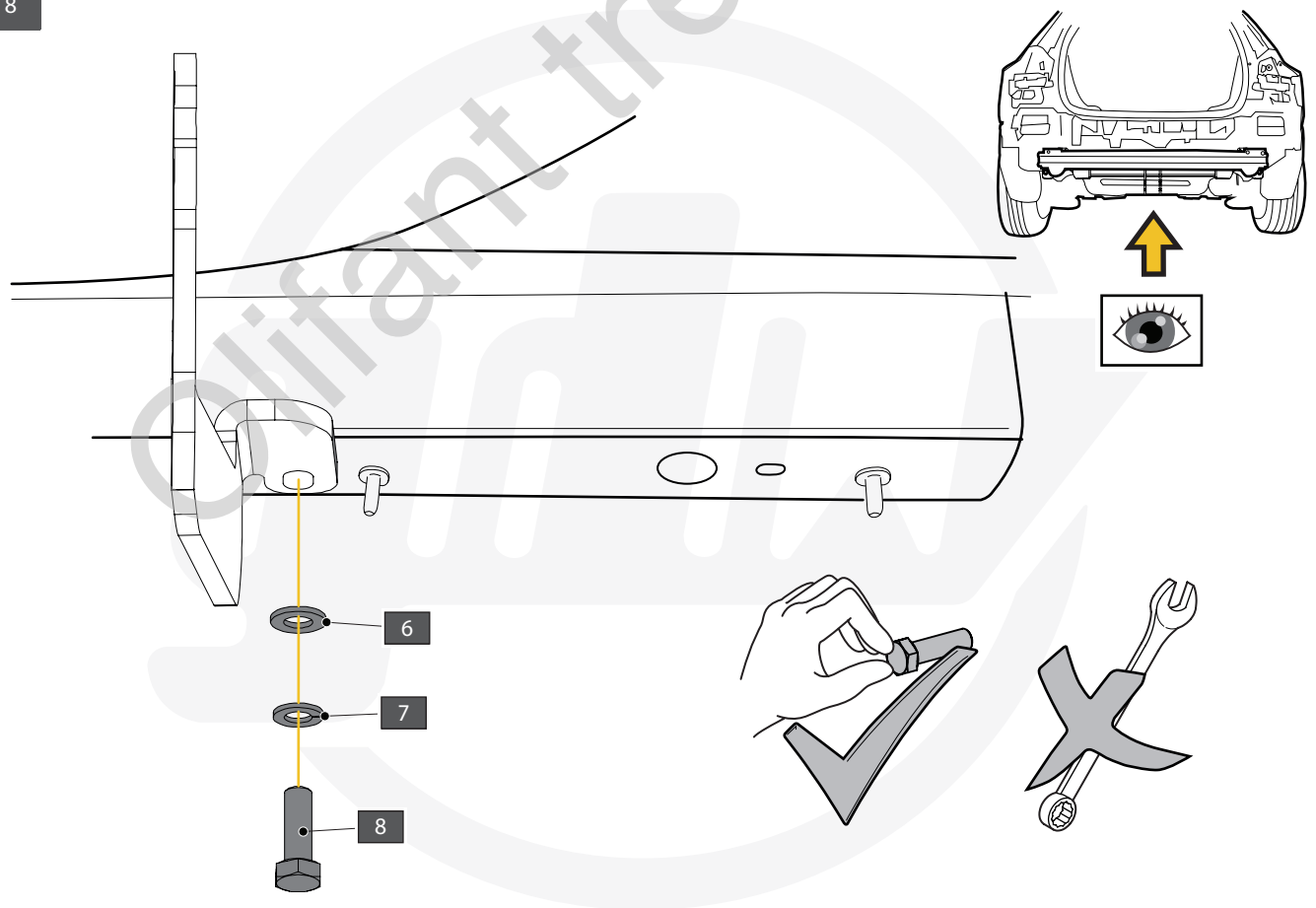
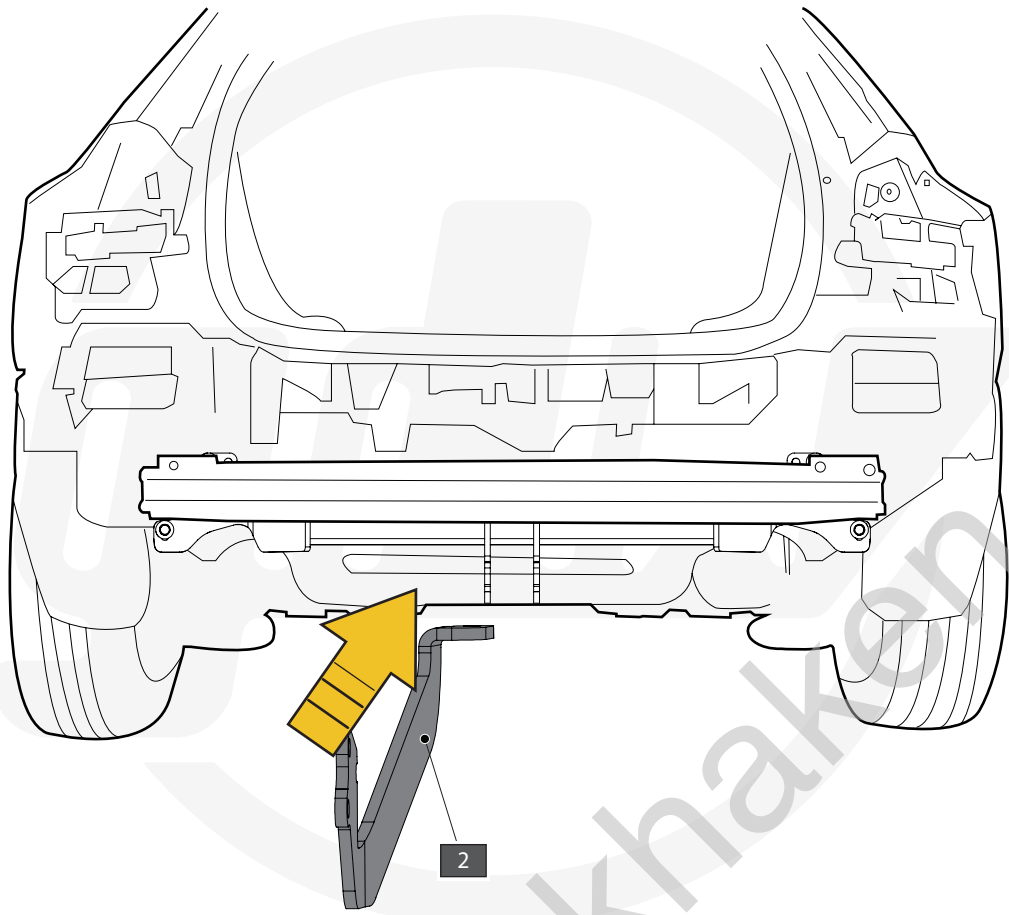




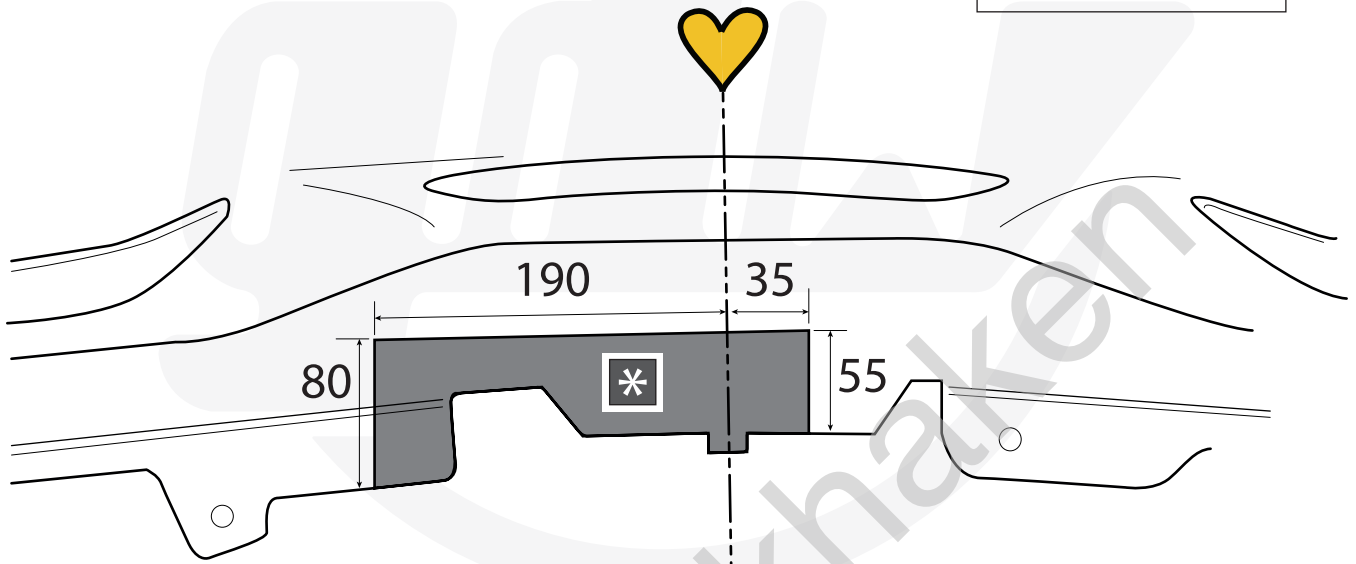
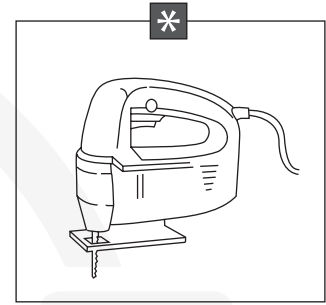
\* Opel Mokka-e  
DS3 Crossback E-tense



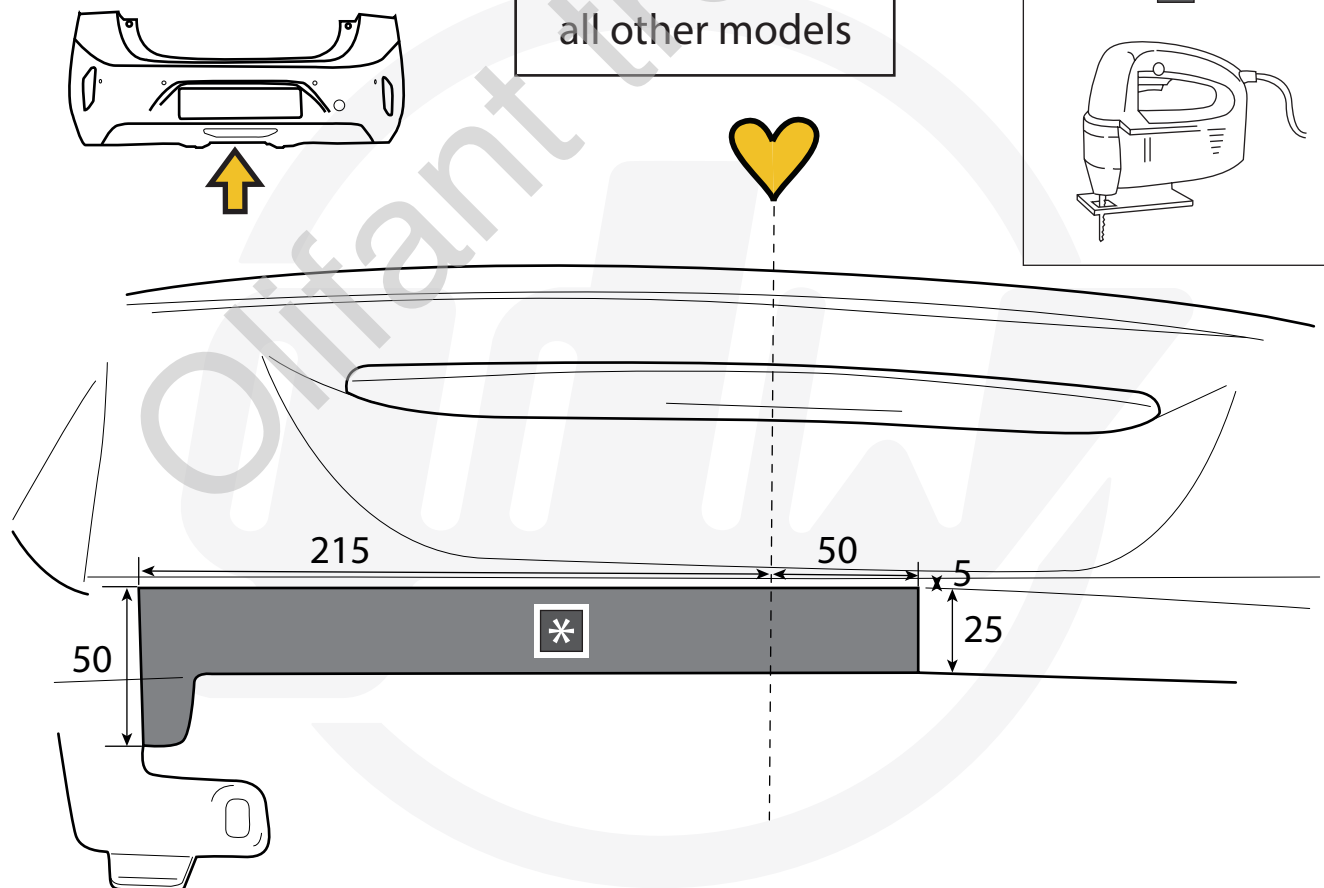
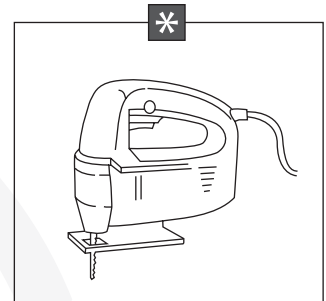




DS3 Crossback E-tense

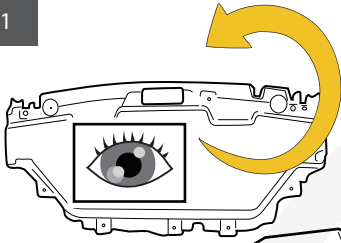


all other models

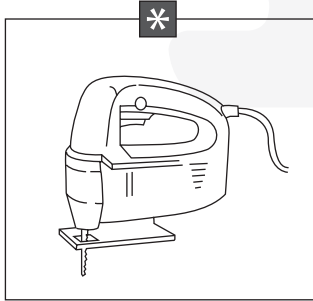
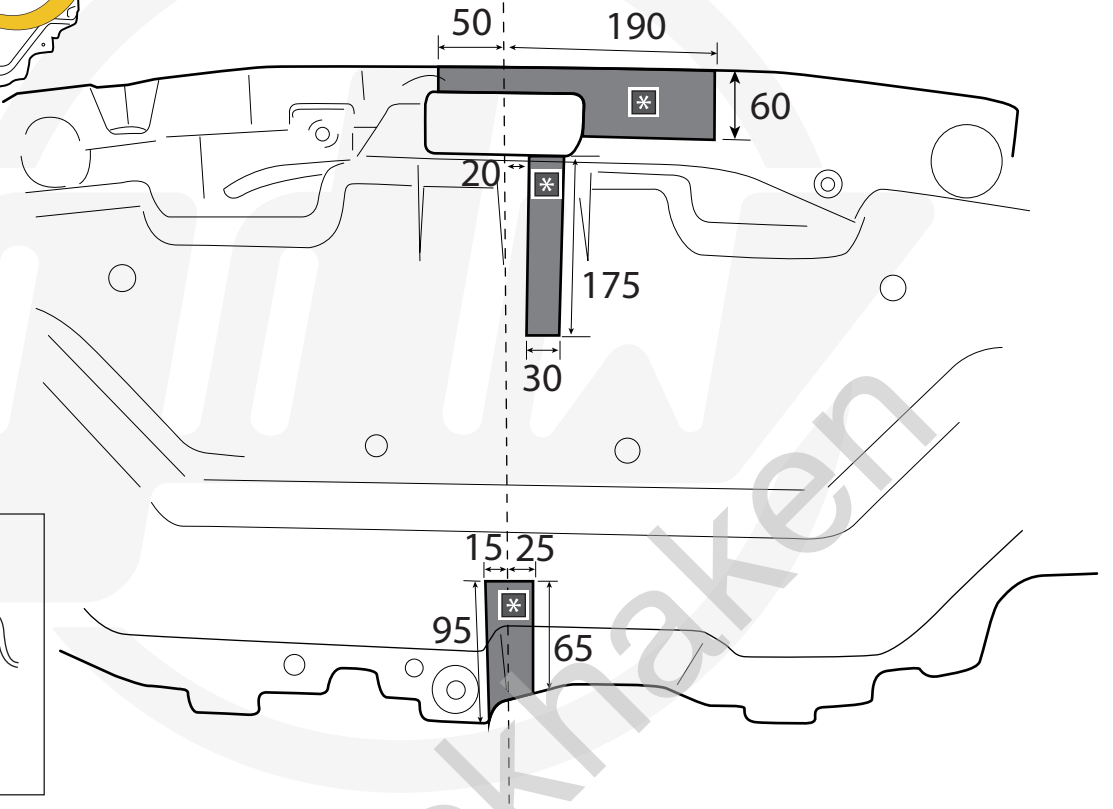




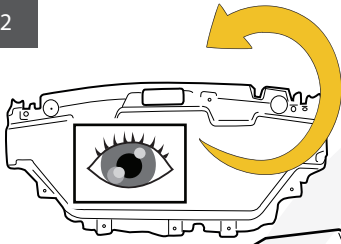
21



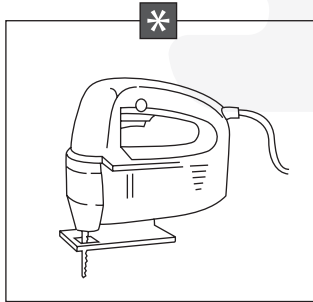
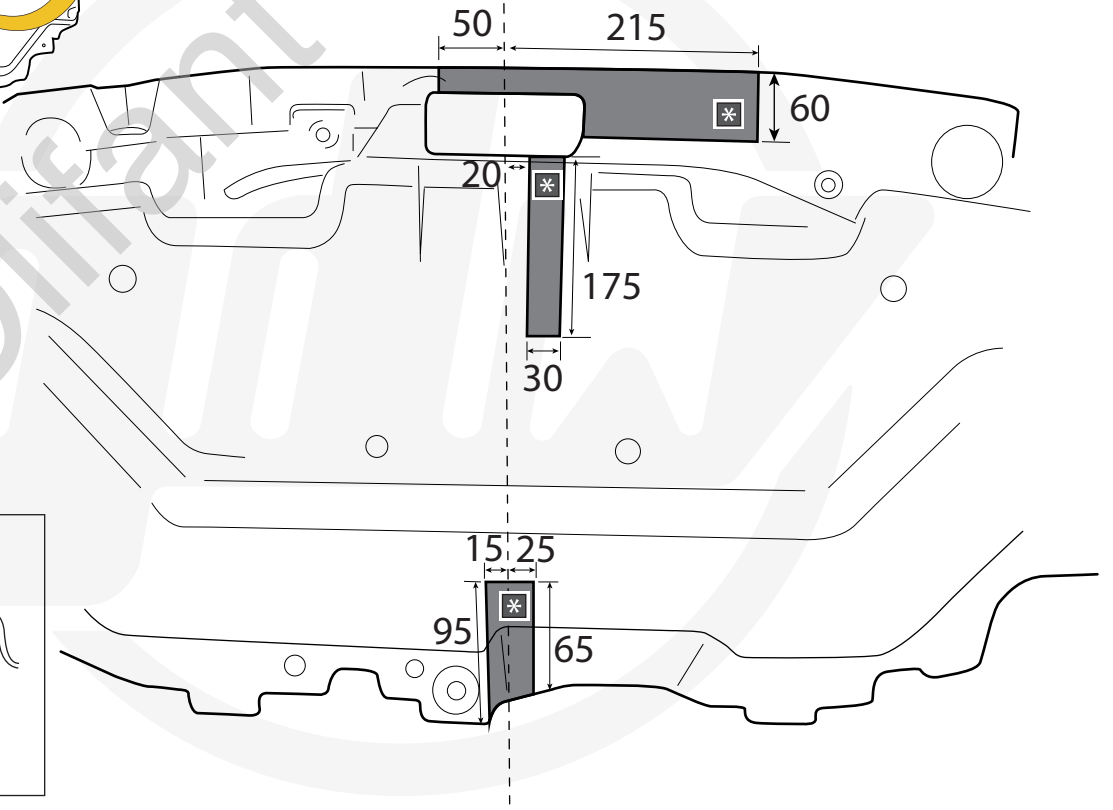
DS3 Crossback E-tense

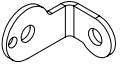




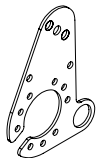
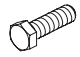


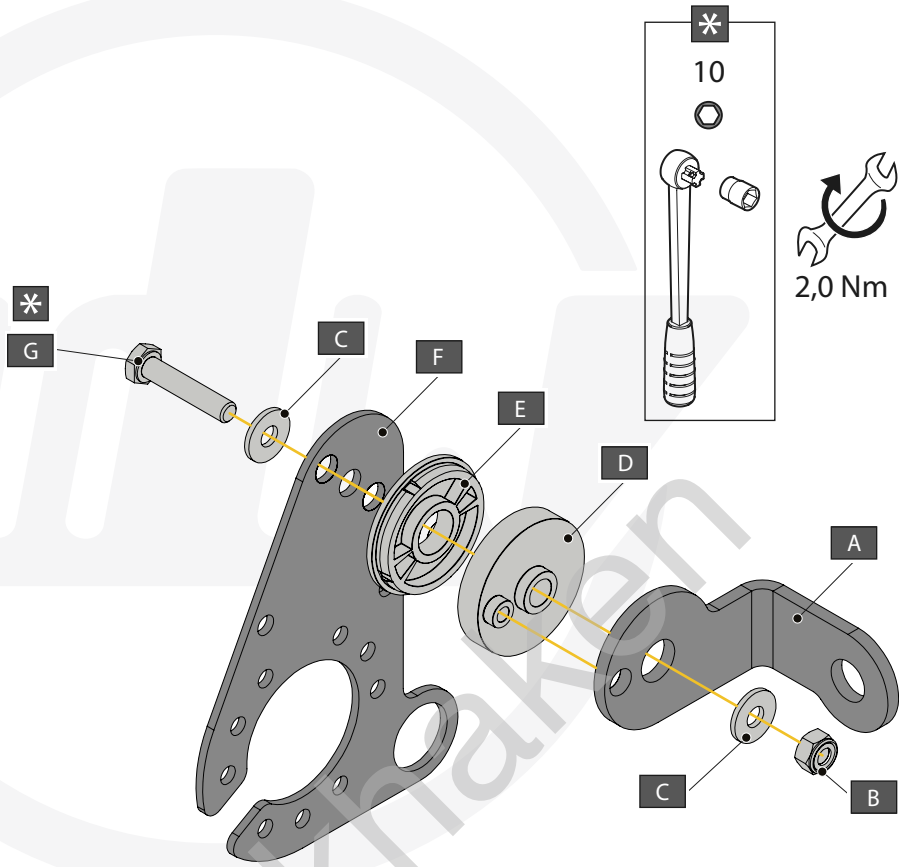
22

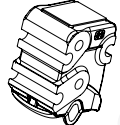






all other models



A		X1	GDW REF. 908.095
B		X1	DIN985-M6
C		X2	6,2 X 15,4 X 1,6 (NYLON)
D		X1	GDW REF. 718.16.002
E		X1	GDW REF. 718.16.003
F		X1	GDW REF. 908.094
G		X1	DIN933-M6 X 30



A		X1	GDW REF. 912.003
B		X3	DIN931-M12X110-8.8
C		X3	DIN128A-M12
D		X6	DIN125A-M12
E		X3	DIN934-M12

