



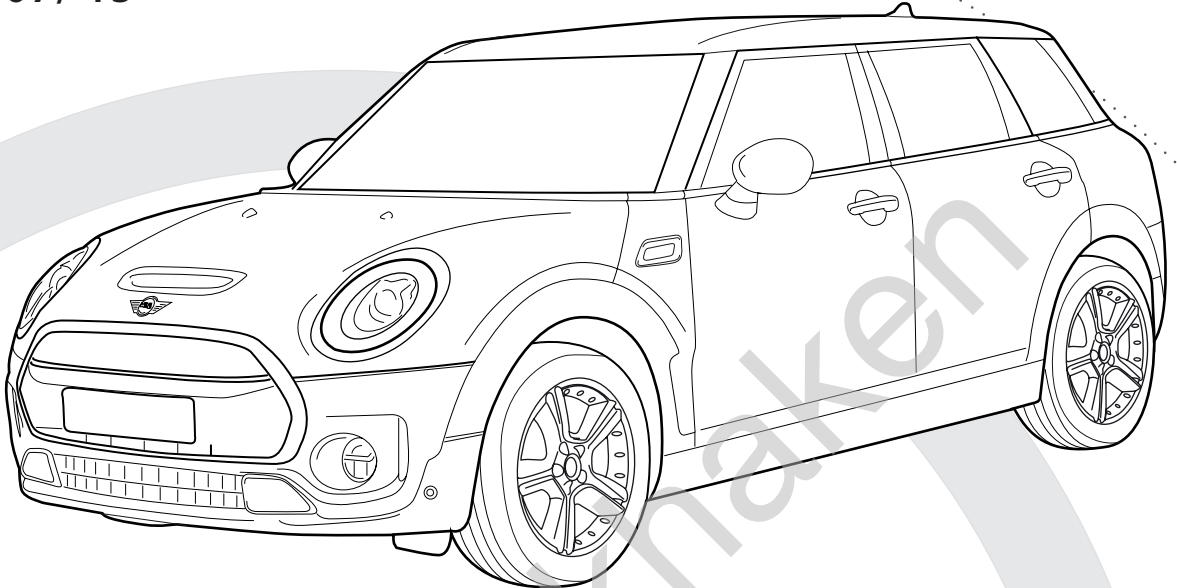
TREKHAKEN • ATTELAGES • ANHÄNGERVORRICHTUNGEN • TOWBARS • ENHANCES • ANHÆNGERTRÆK

Montagehandleiding | instructions de montage | Einbauanleitung | Mounting instruction
Instrucciones de montaje | monteringsvejledning



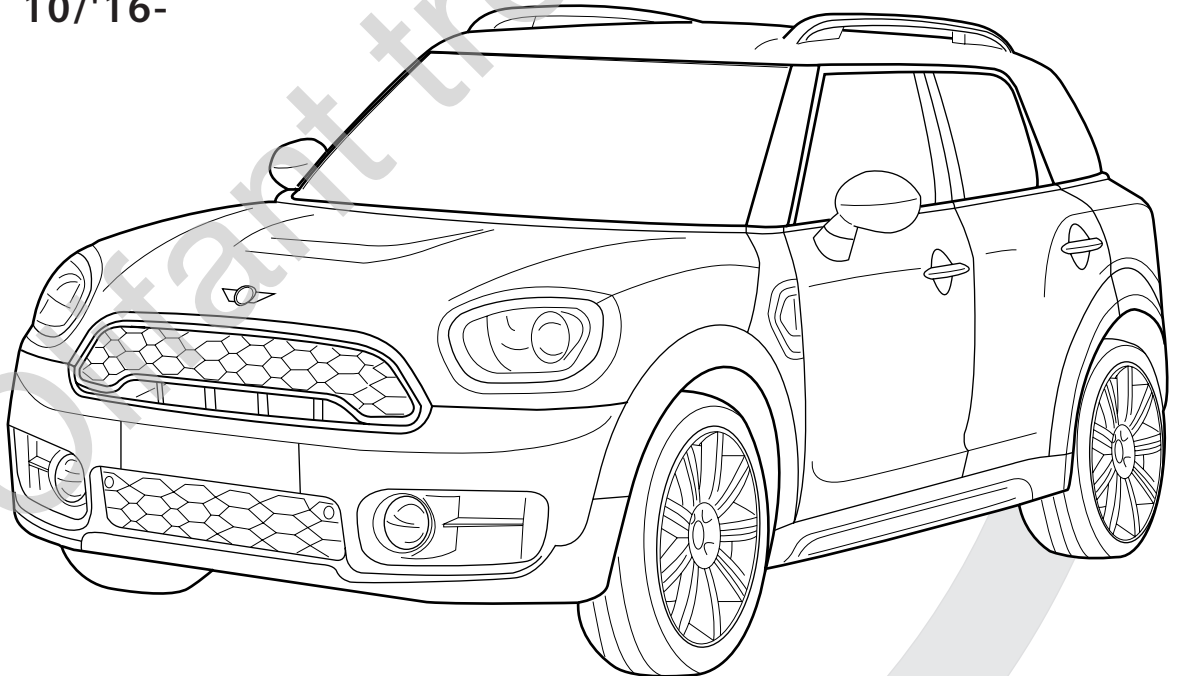
Mini Clubman (type F54)

07/'15-



Mini Countryman (type F60)


10/'16-

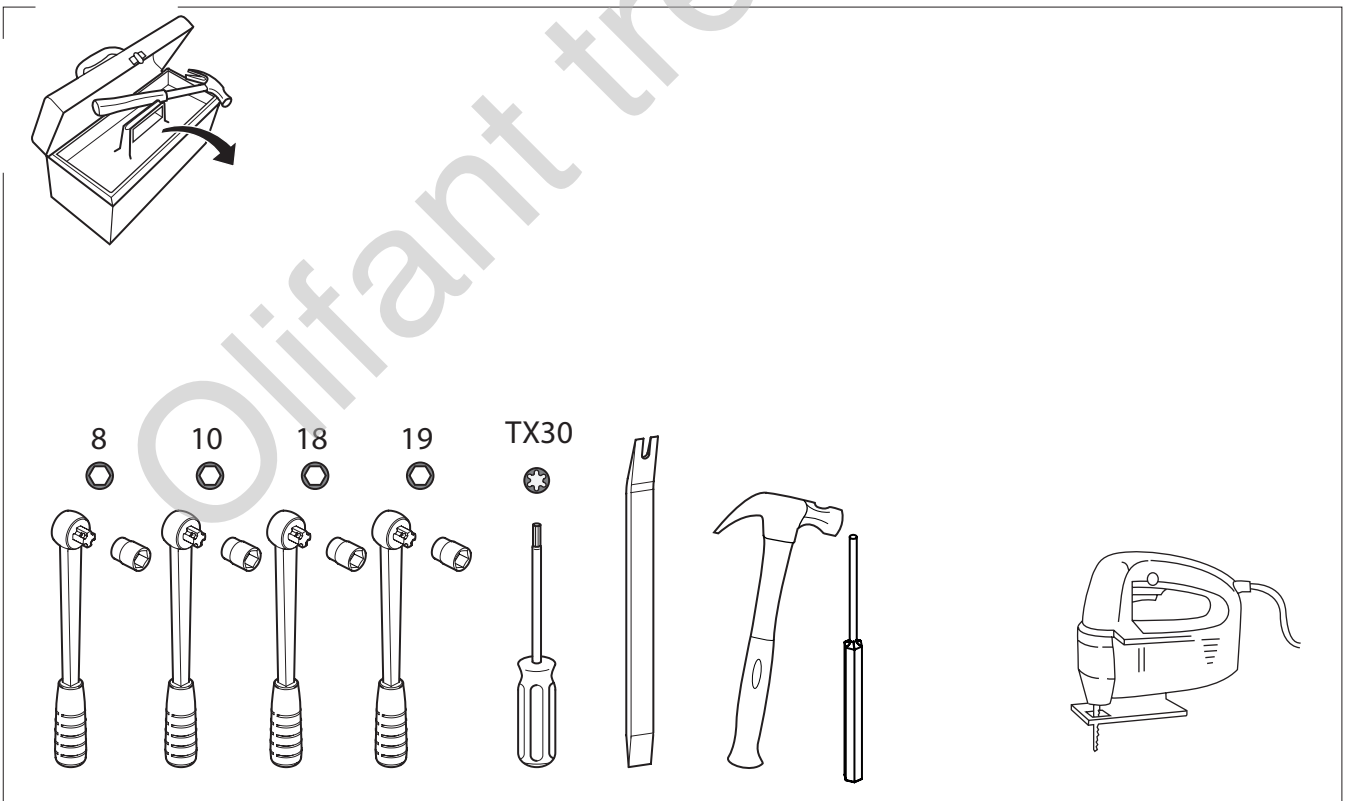
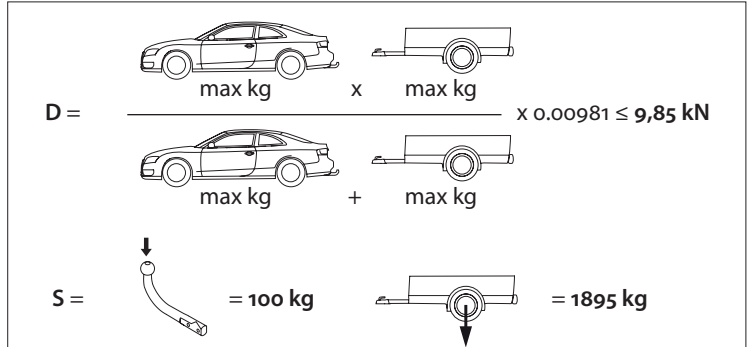


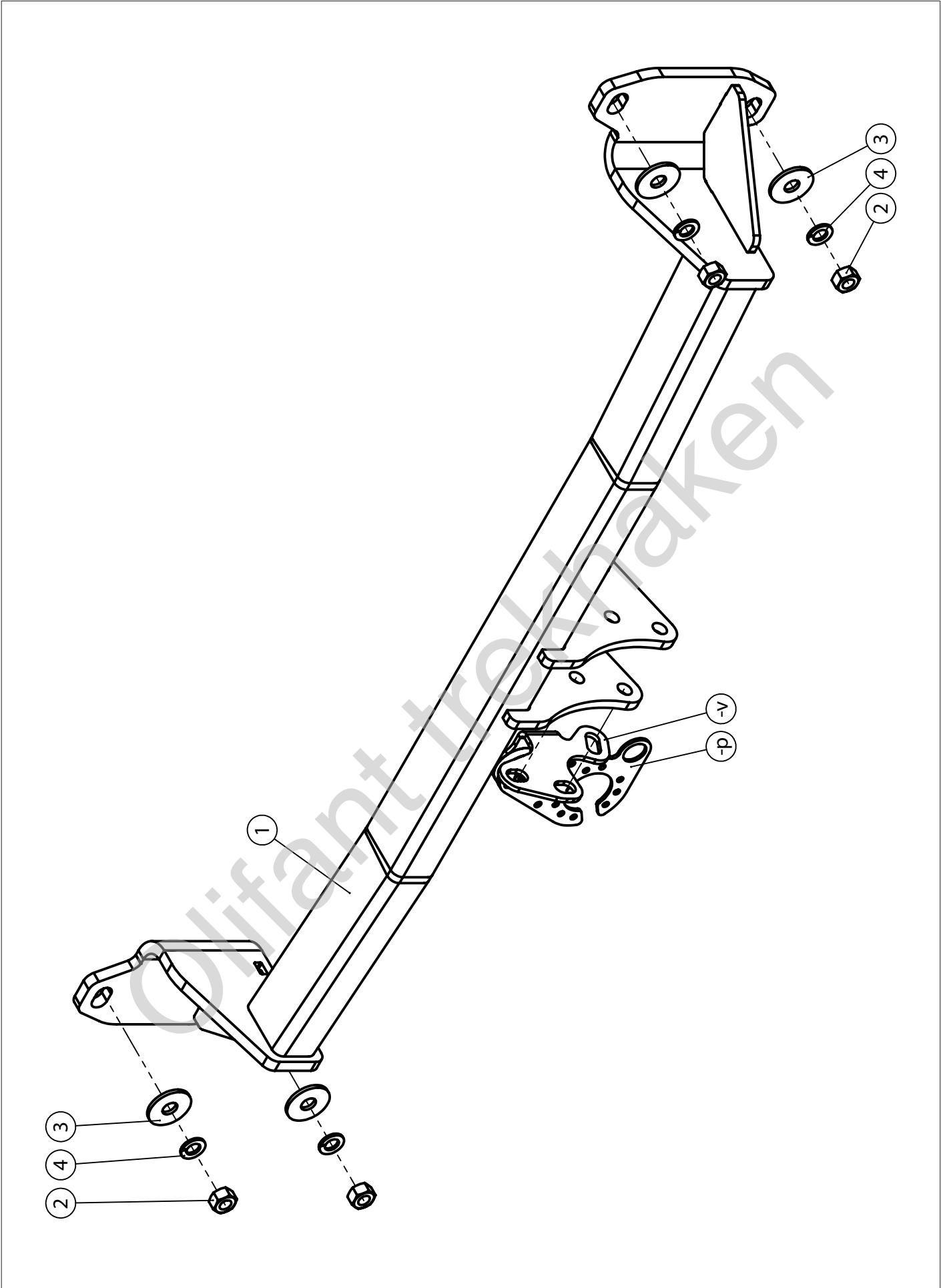
HYBRID ⊗

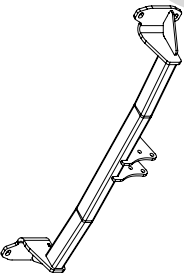

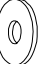

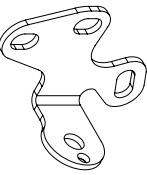
JOHN COOPER WORKS ⊗

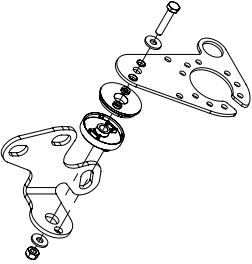
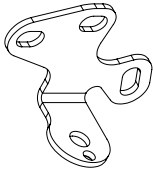




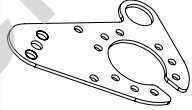

See the Certificate Of Conformity (COC) of your vehicle or contact your dealer to verify the max. trailer weight of your car!

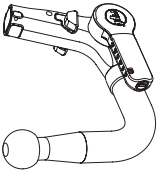

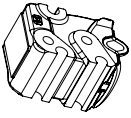


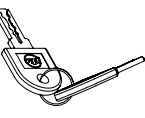

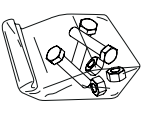




MADE BY	D 9,85	F	E6
		EC APPROVAL N°	
BELGIUM	S 100	55R-011444	
REF N°	SERIE N°		
2287T60			
OMSCHRIJVING			
Mini Clubman 07/'15- & Mini Countryman 10/'16-			





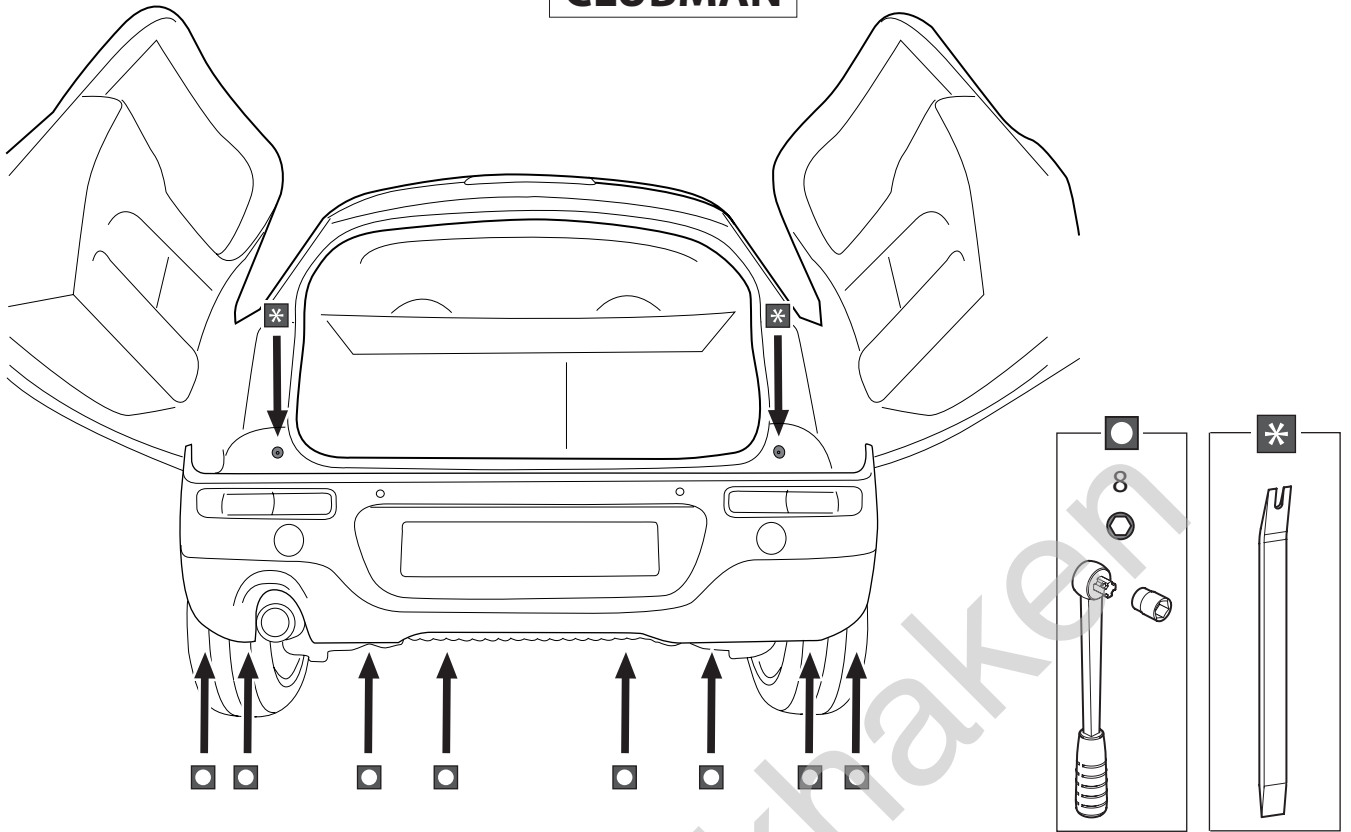
1		X1	GDW REF. 2287160
2		X4	DIN934-M12 -1,5
3		X4	DIN9021-M12-ELVZ
4		X4	DIN128A-M12
-V		X1	GDW REF. 908.090

-P		X1	GDW REF. P34
↑		X1	GDW REF. 908.090
↑		X1	DIN935-M6
↑		X2	6,2 X 15,4 X 1,6 (NYLON)
↑		X1	GDW REF. 718.16.002
↑		X1	GDW REF. 718.16.003
↑		X1	GDW REF. 908.094
↑		X1	DIN933-M6 X 30

Geleverd met - Livré avec - Delivered with Geliefert mit - Elementos adjuntos - Leverages med		X1	GDW REF. 960.V0610	
	↑		X1	GDW REF. 740.200
	↑		X1	GDW REF. 912.003
	↑		X1	GDW REF. 740.112
	↑		X1	GDW REF. 740.111
	↑		X1	GDW REF. 740.114
	↑		X1	GDW REF. 718.15.001
	↑		X1	GDW REF. SYST60-10
	↑		X3	DIN931-M12X110-8.8
	↑		X3	DIN128A-M12
	↑		X6	DIN125A-M12
	↑		X3	DIN934-M12

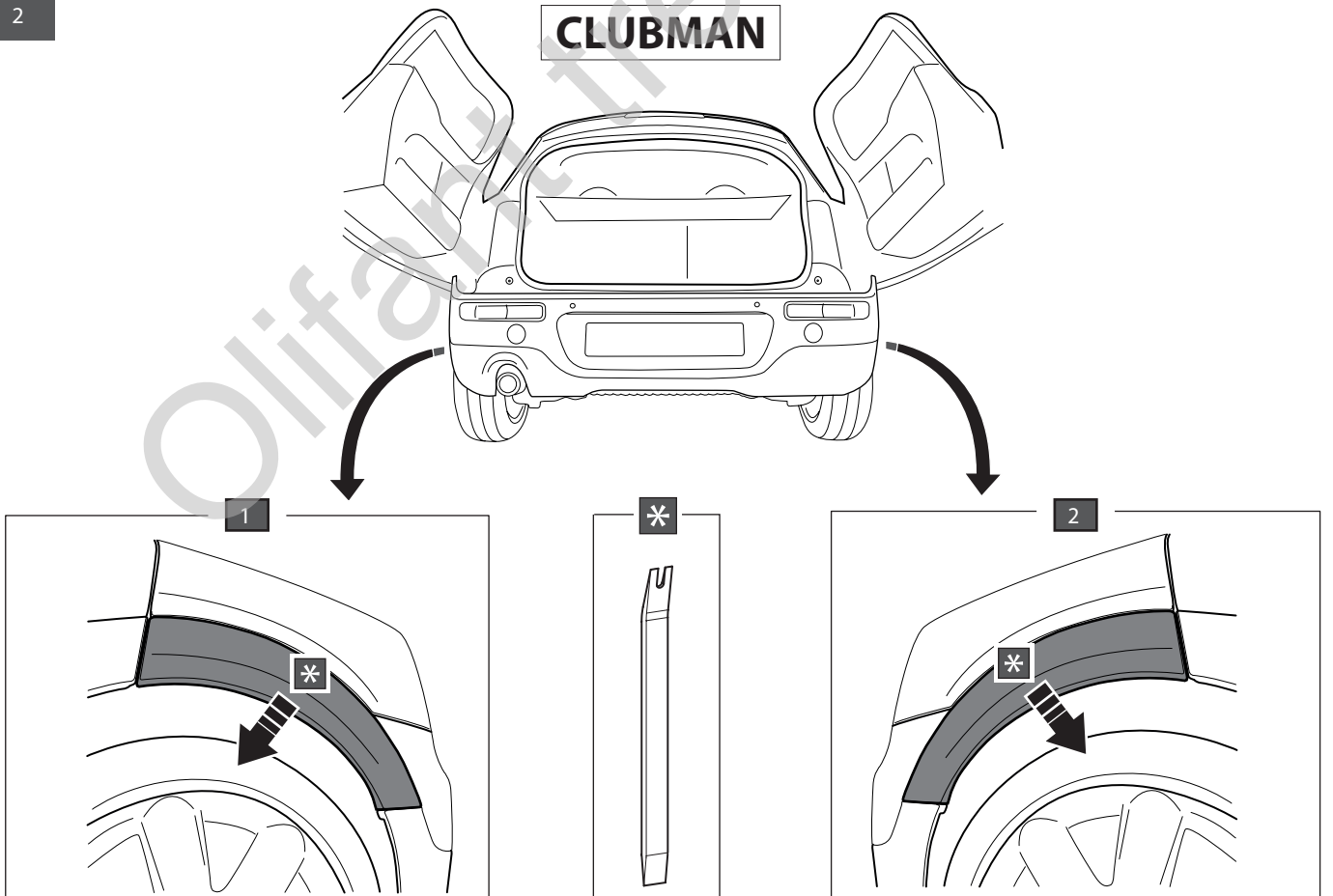
1

CLUBMAN

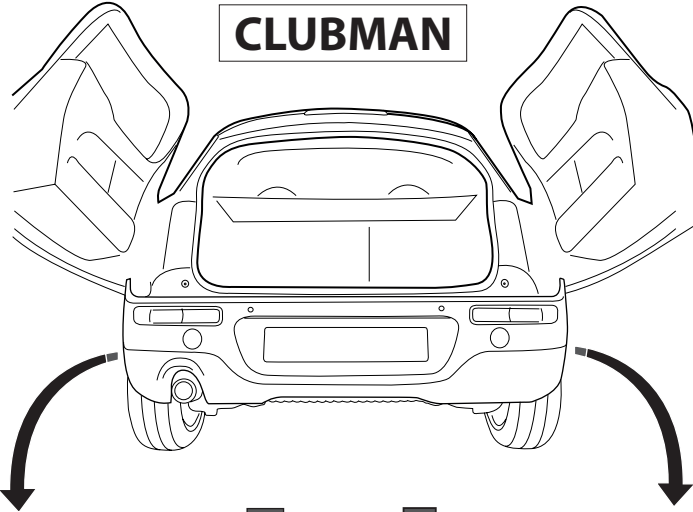


2

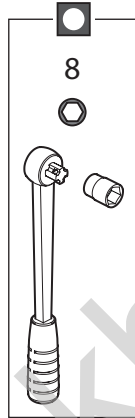
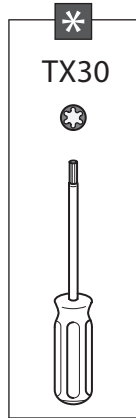
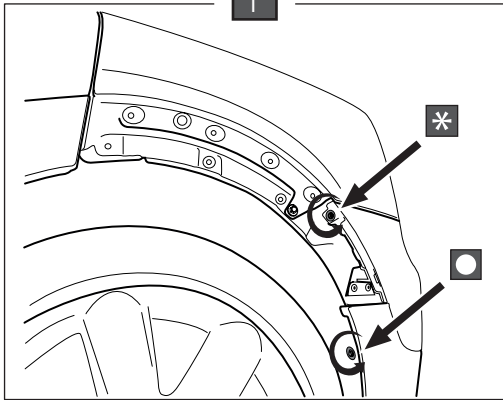
CLUBMAN



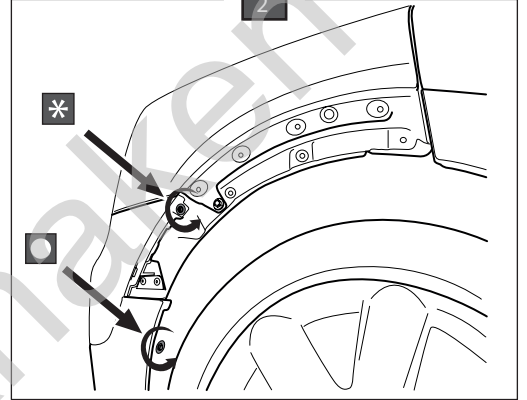
CLUBMAN



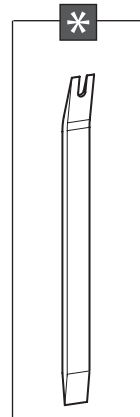
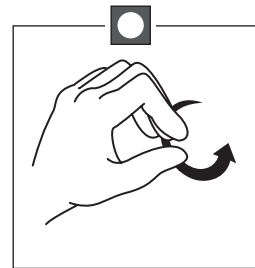
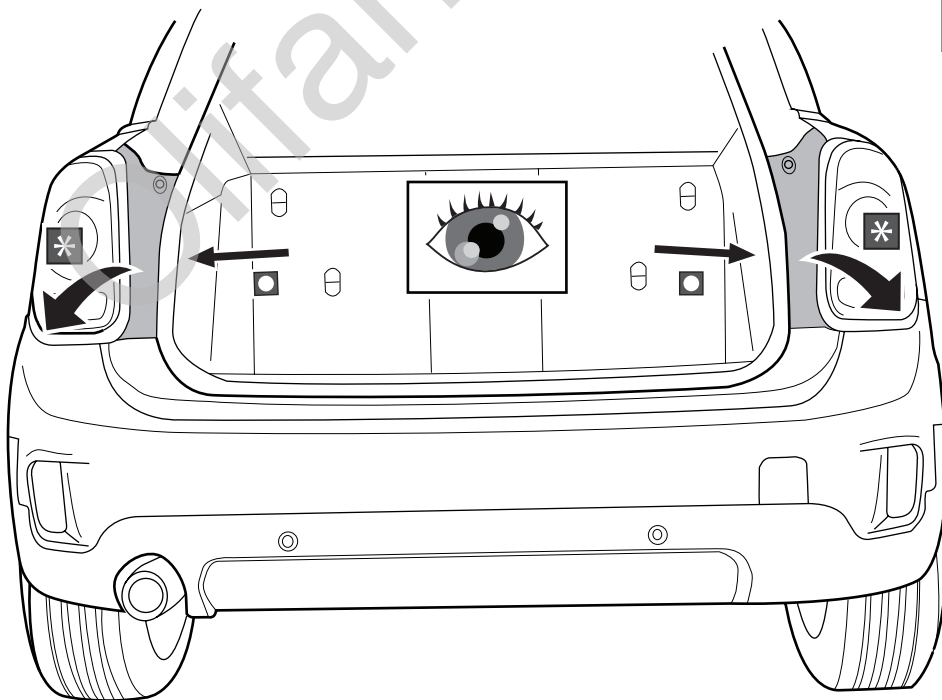
1



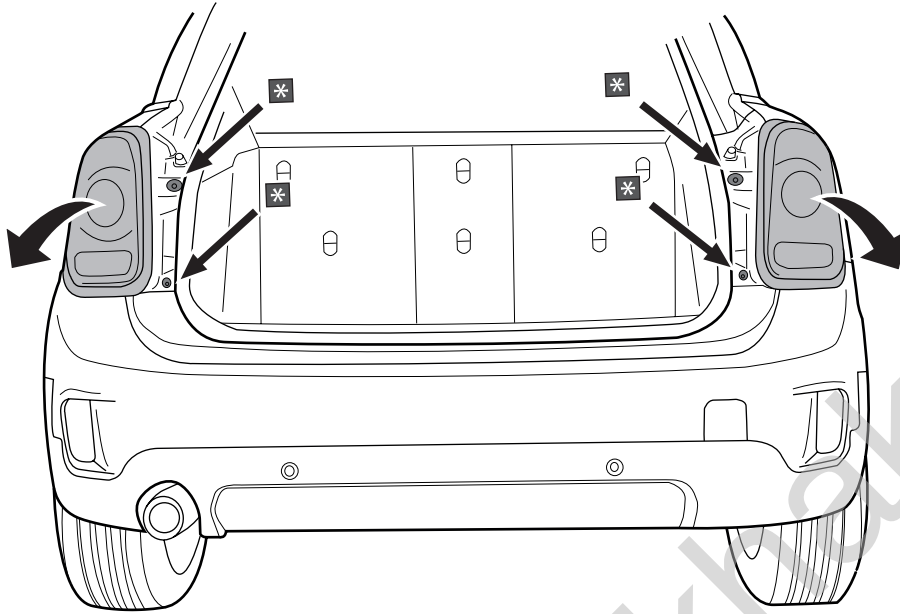
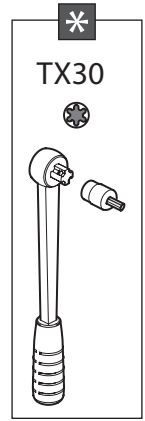
2



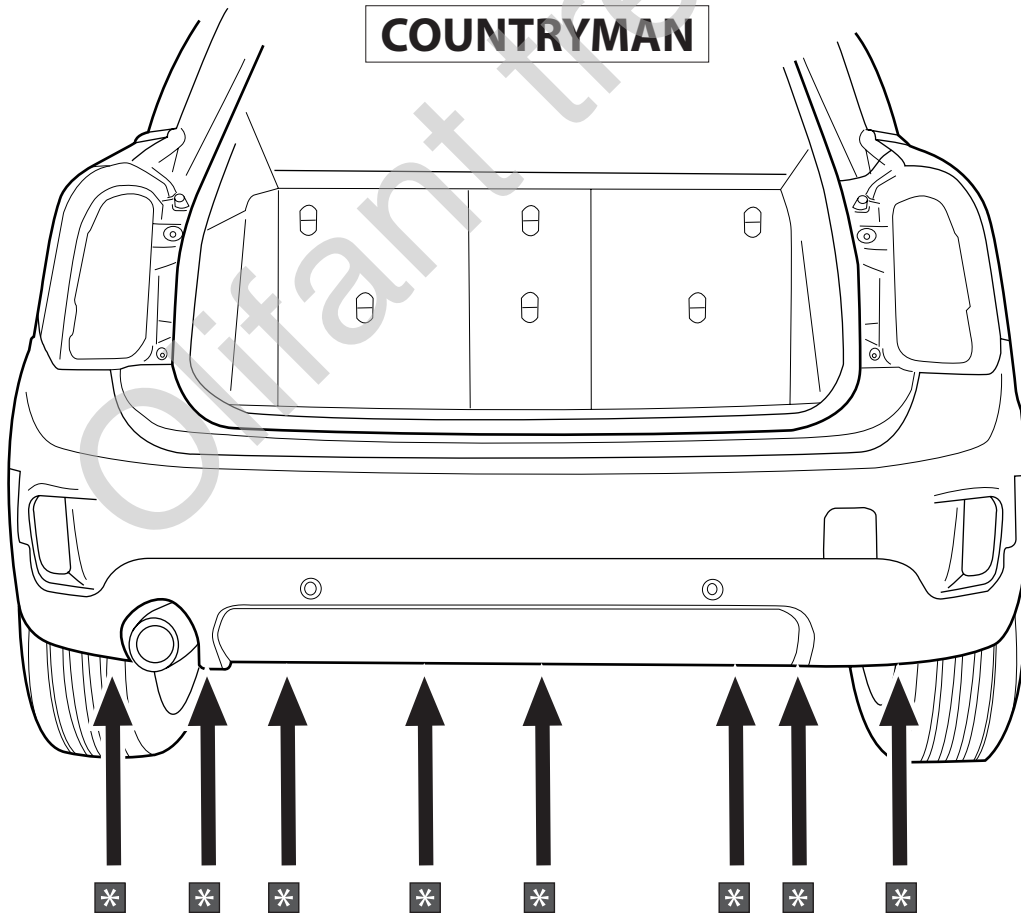
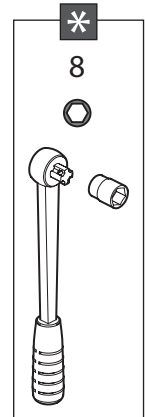
COUNTRYMAN



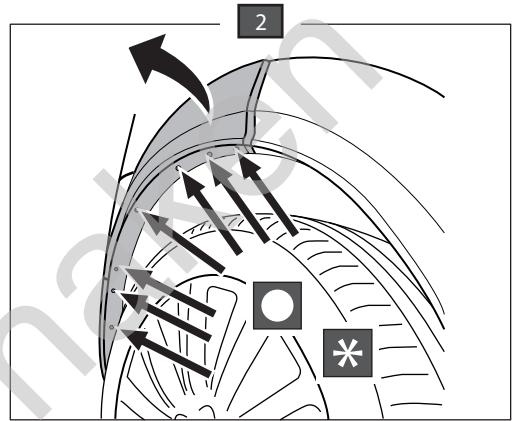
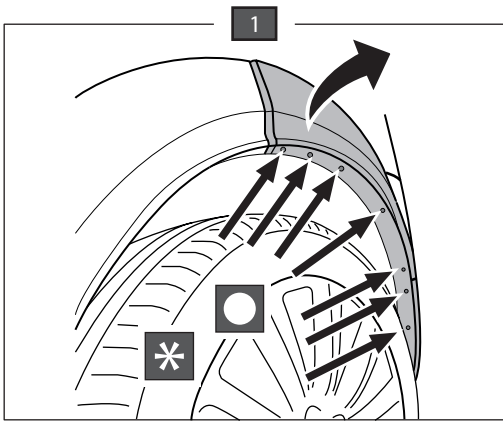
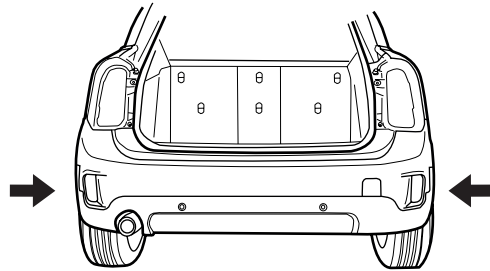
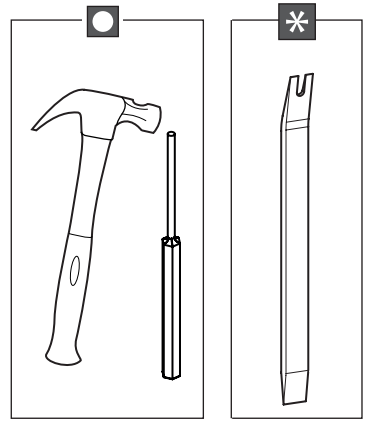
COUNTRYMAN



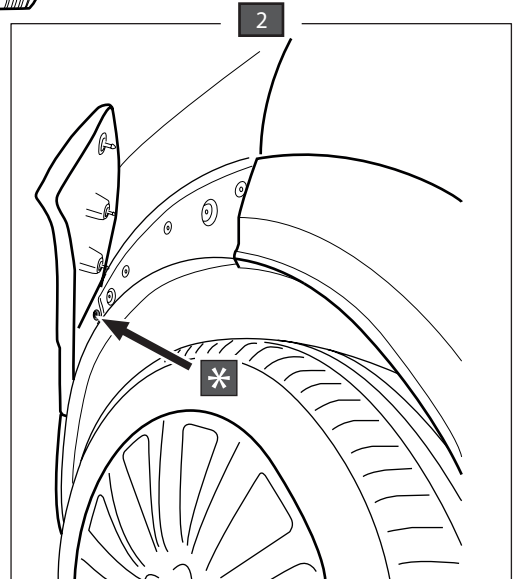
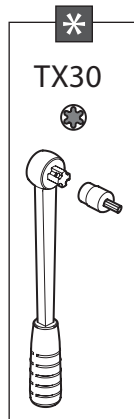
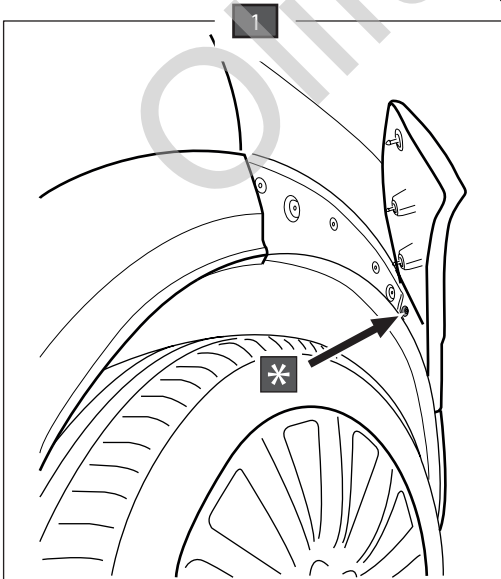
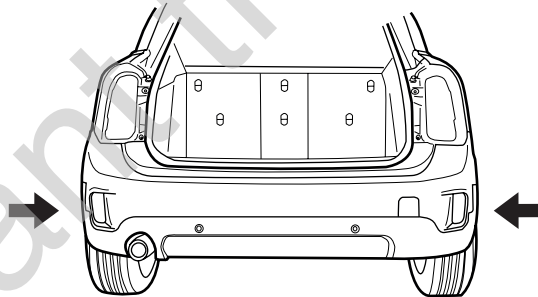
COUNTRYMAN

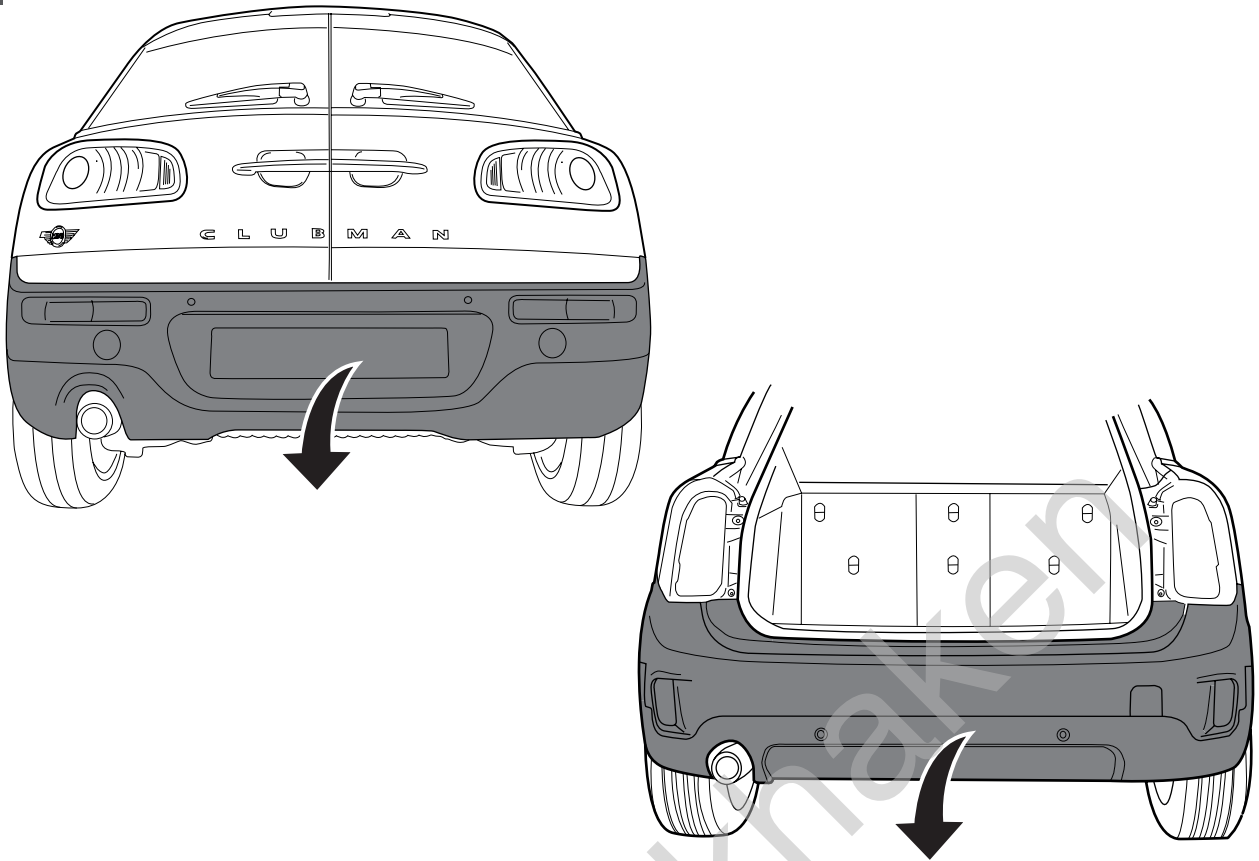


COUNTRYMAN

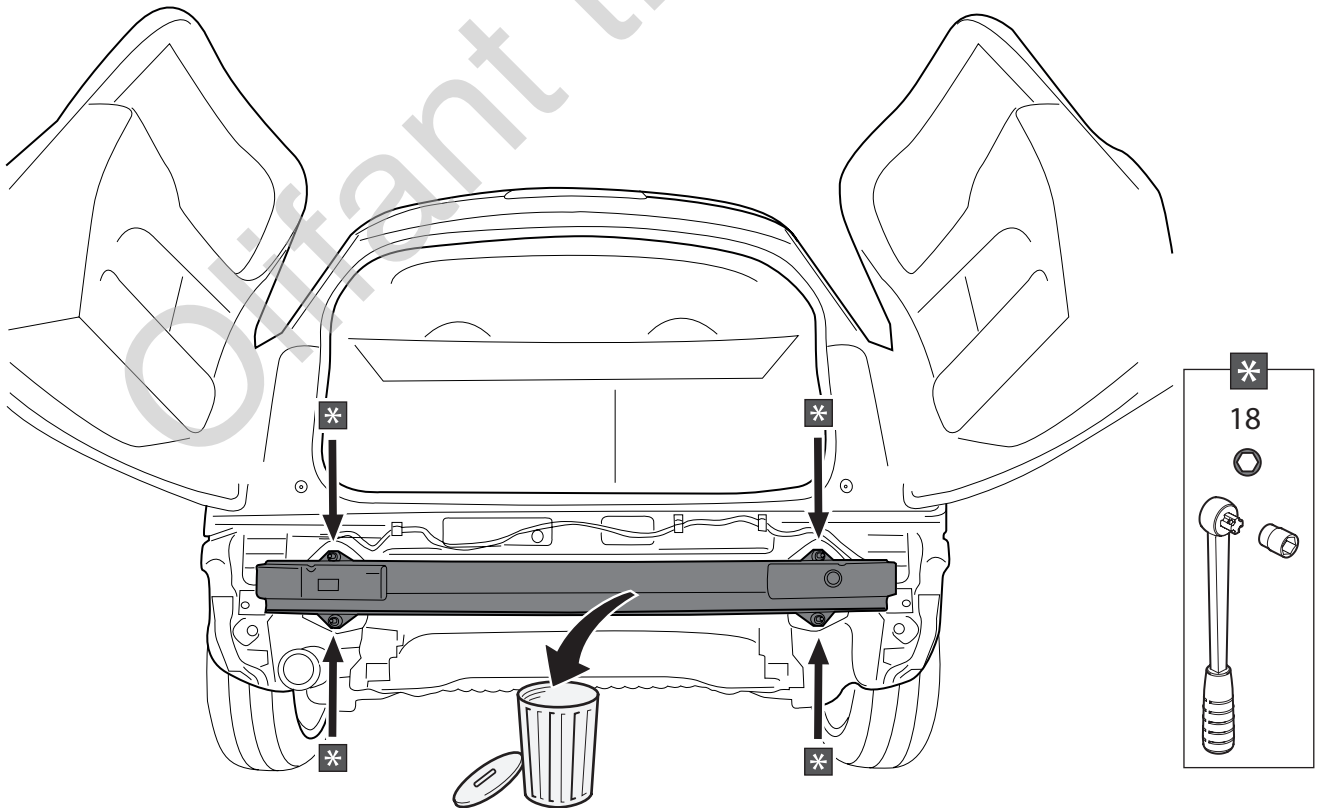


COUNTRYMAN

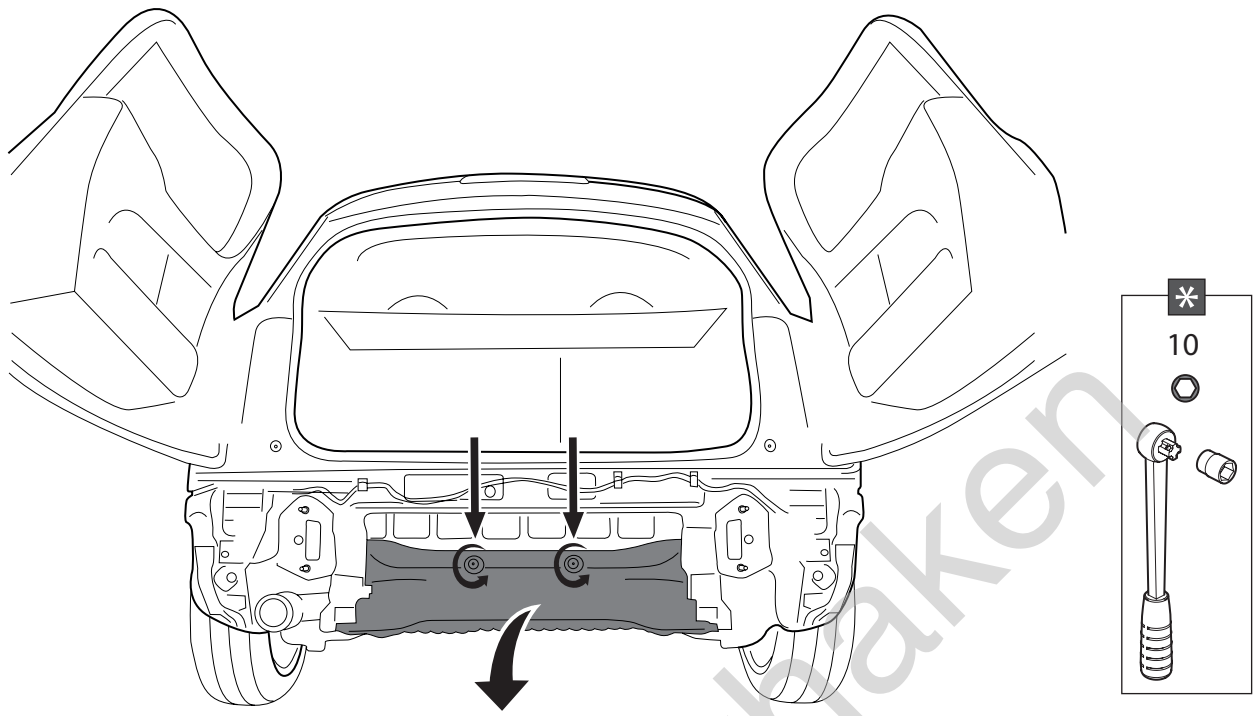




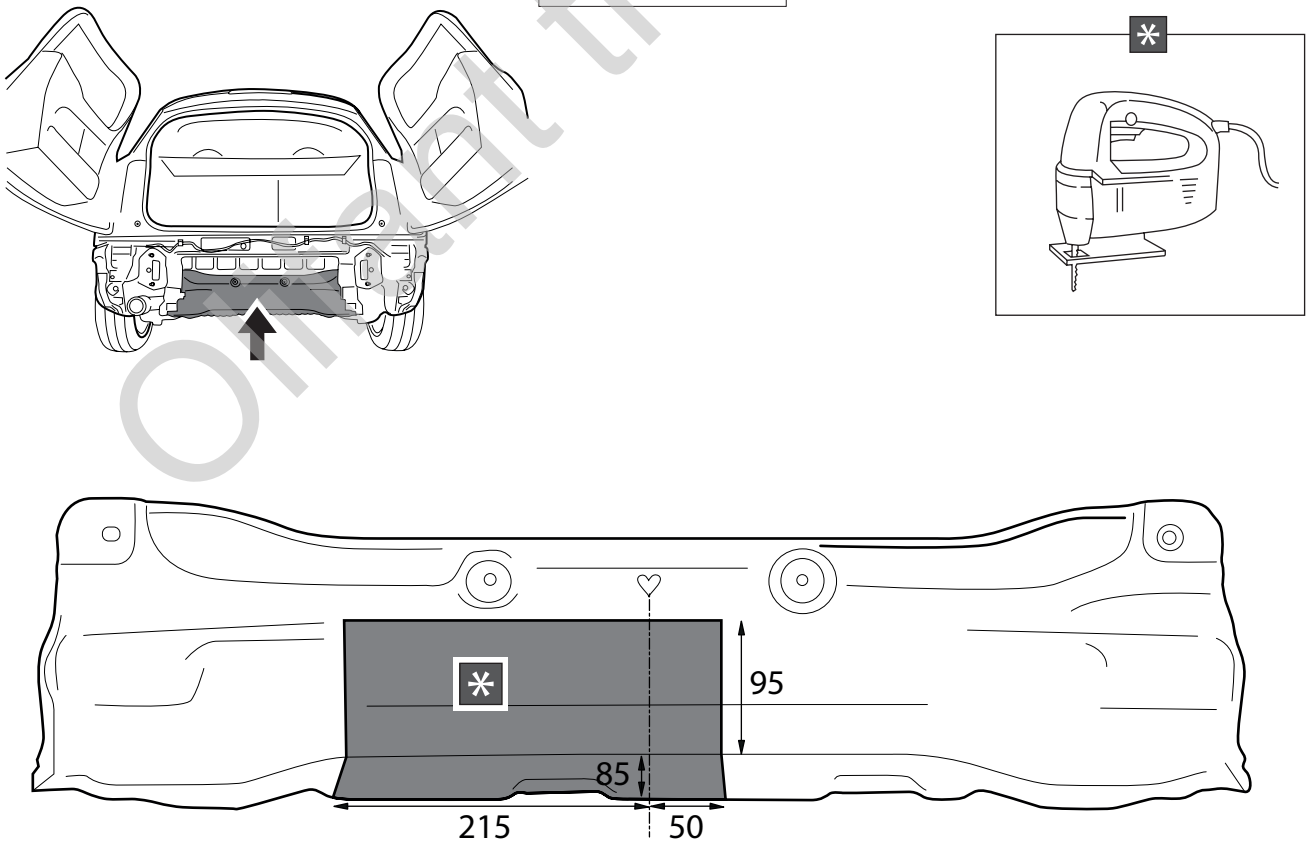
CLUBMAN & COUNTRYMAN



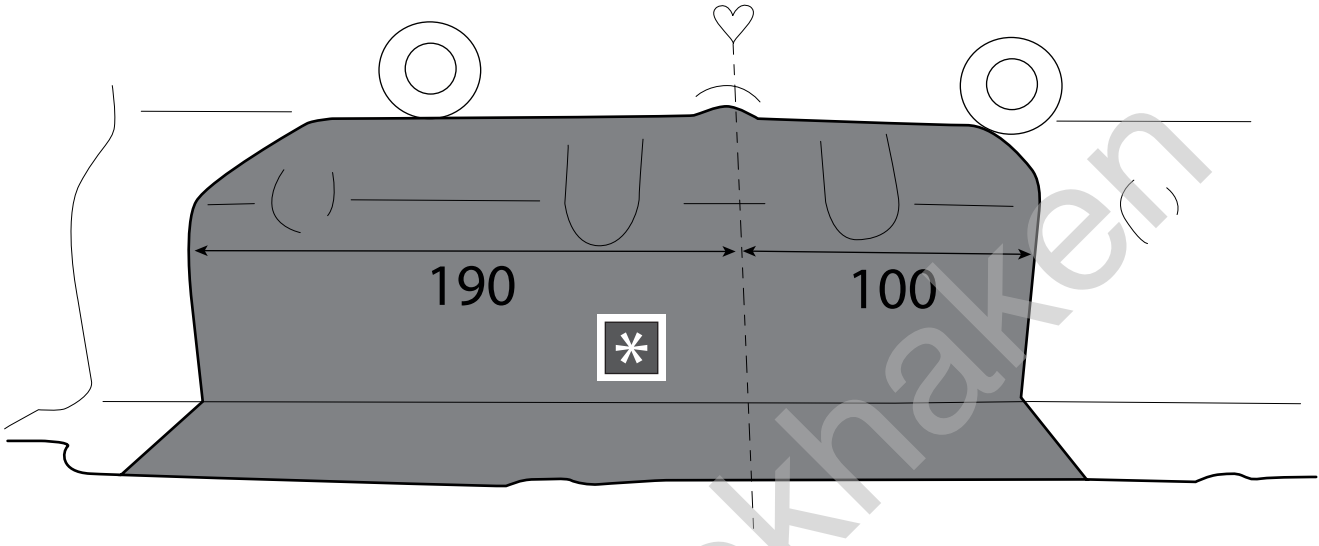
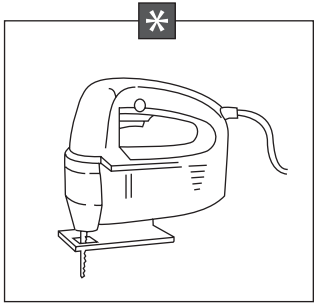
CLUBMAN



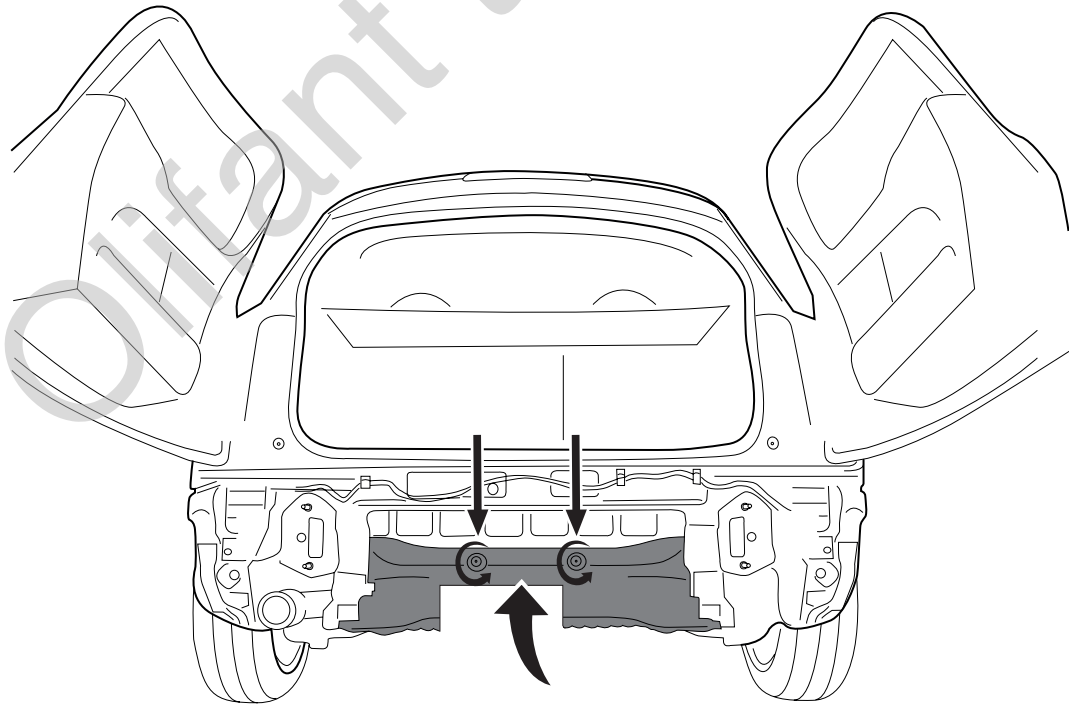
CLUBMAN



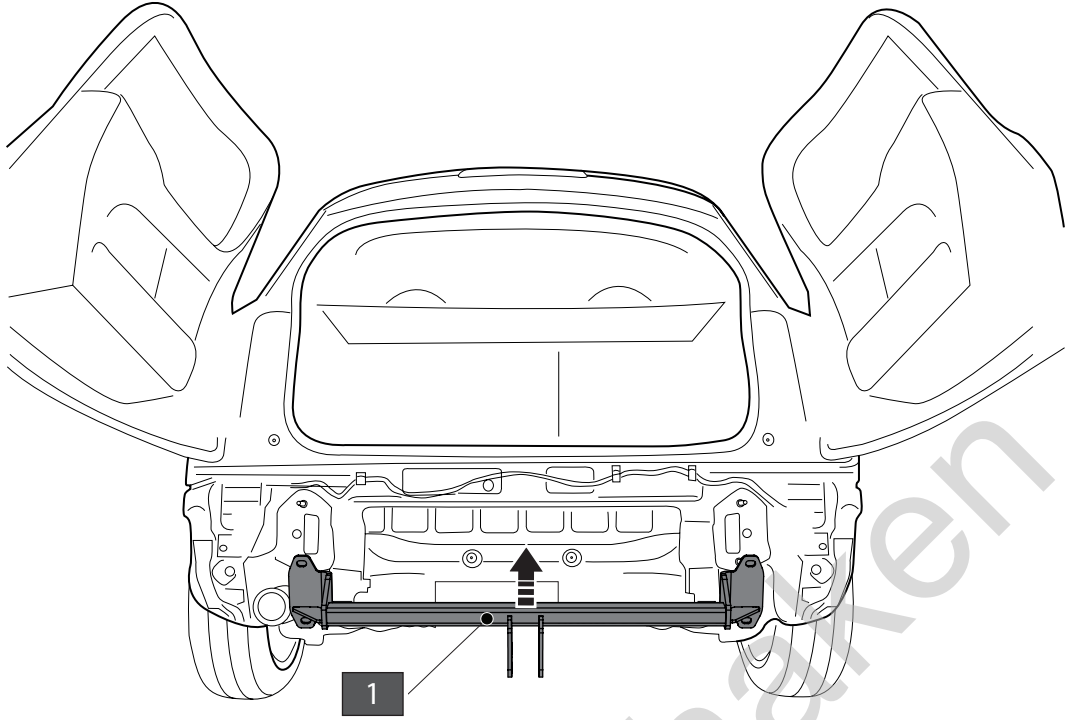
COUNTRYMAN



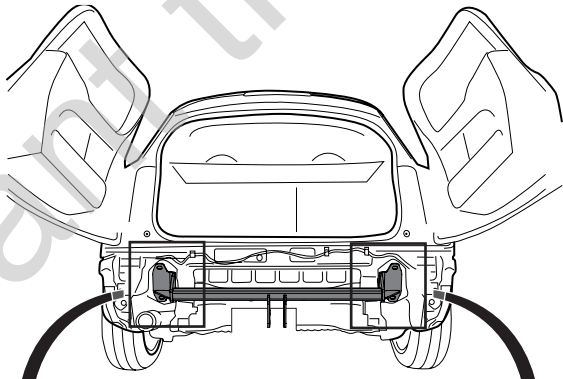
CLUBMAN



CLUBMAN & COUNTRYMAN



CLUBMAN & COUNTRYMAN



1

19

97,0 Nm

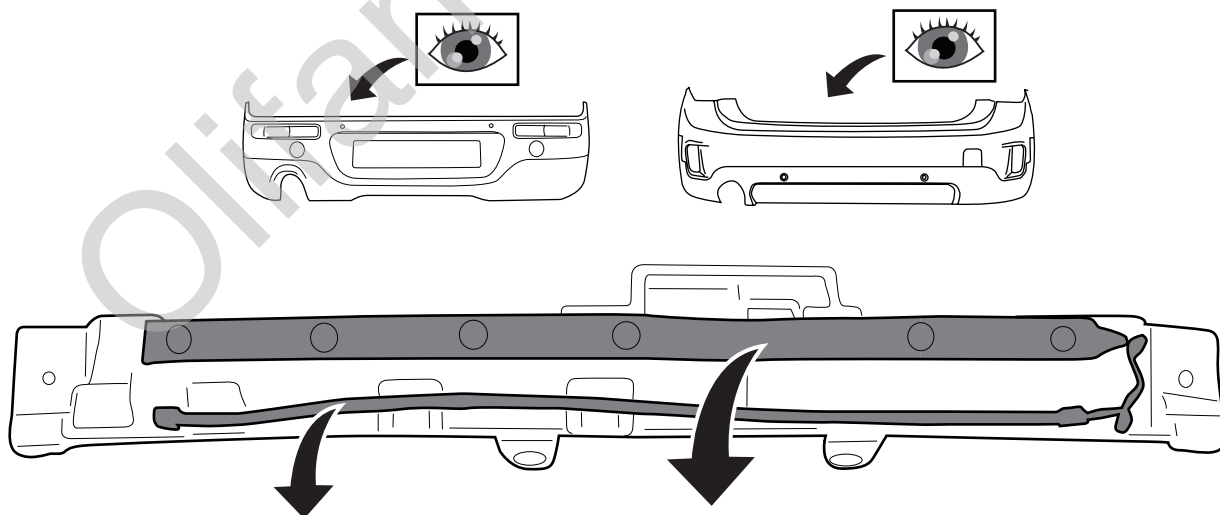
2

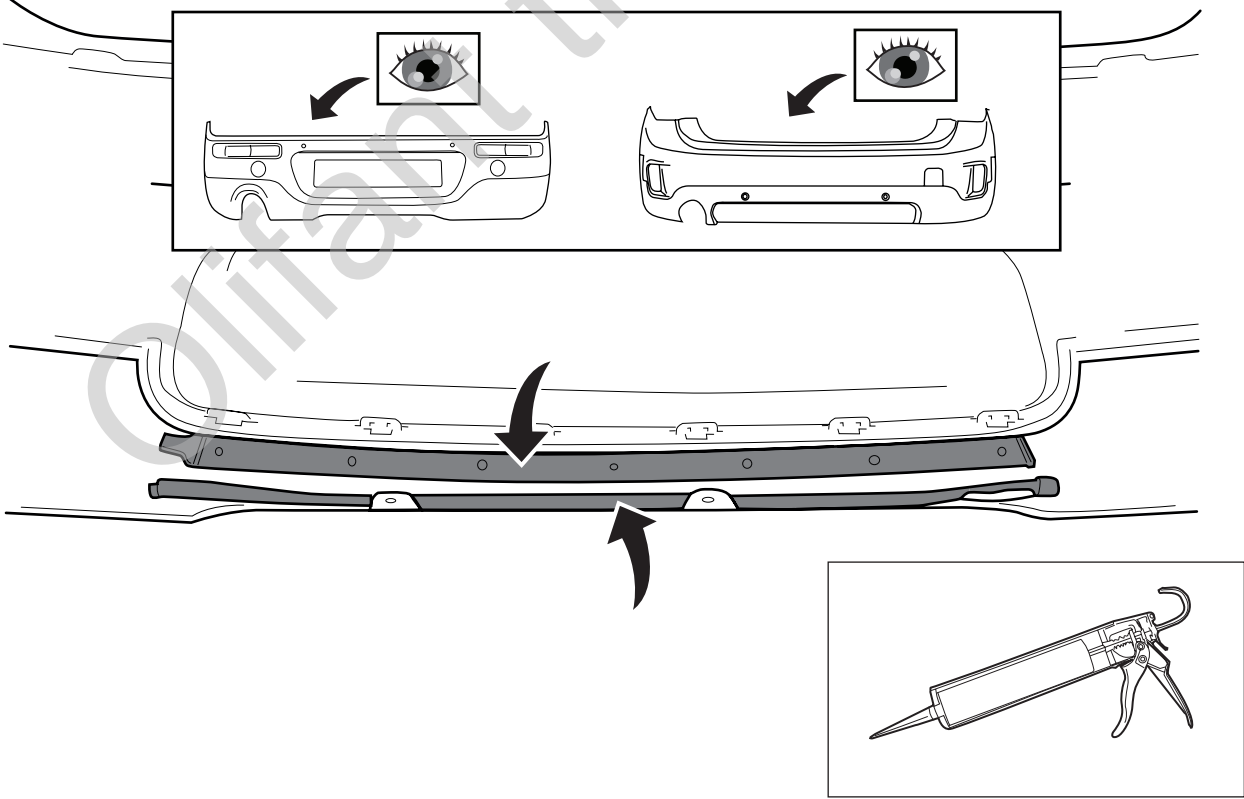
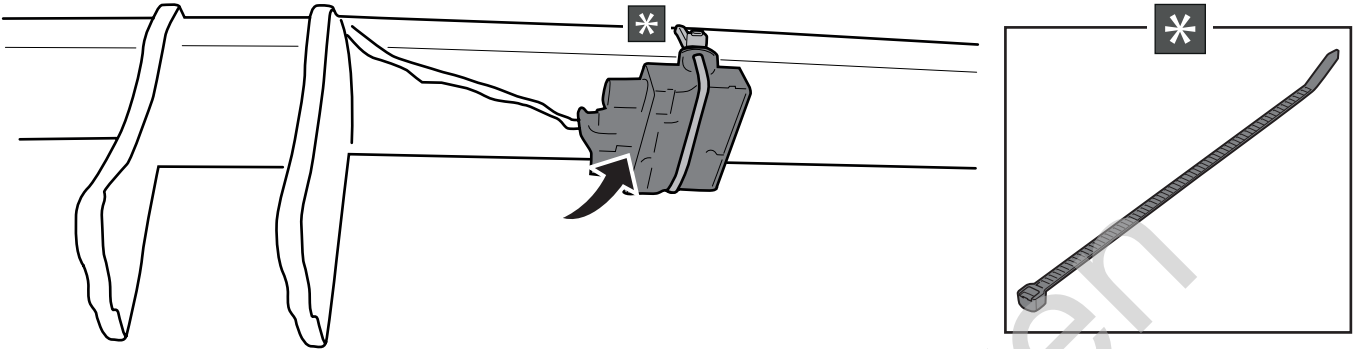
18

>>

20

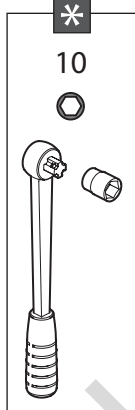
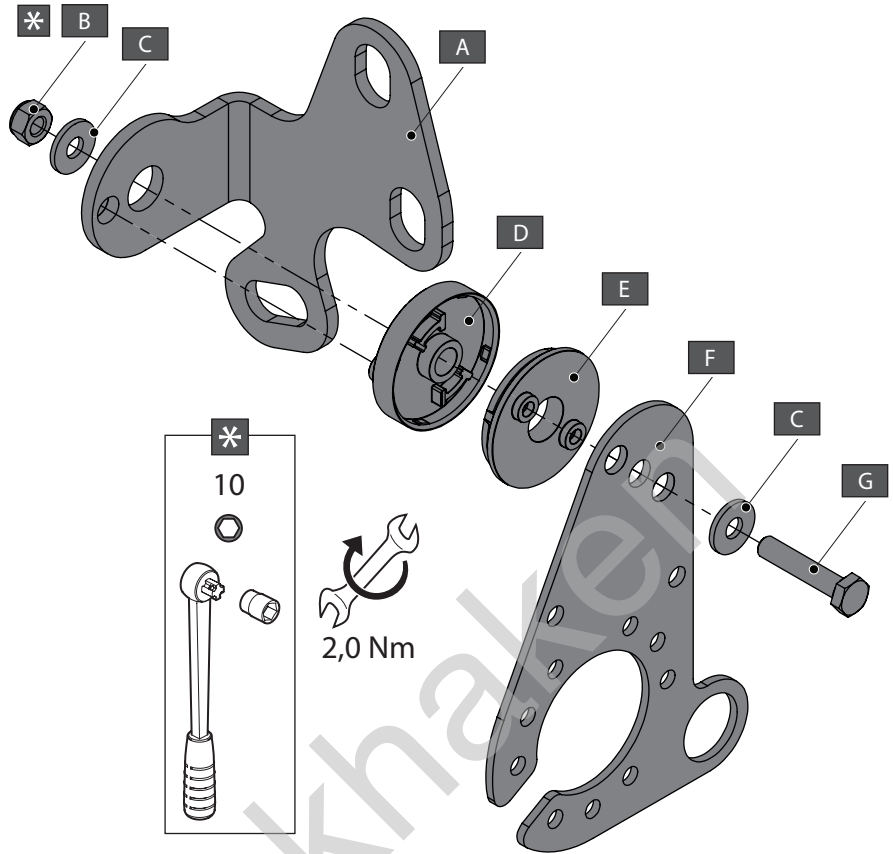
VOERTUIGEN MET OPTIE "HANDENVRIJE KOFFERKLEP"
 VÉHICULES AVEC OPTION "HAYON MAINS-LIBRES"
 FAHRZEUGE MIT OPTION "SENSORGESTEUERTE HECKKLAPPE"
 VEHICLES WITH OPTION "HANDSFREE TAILGATE"





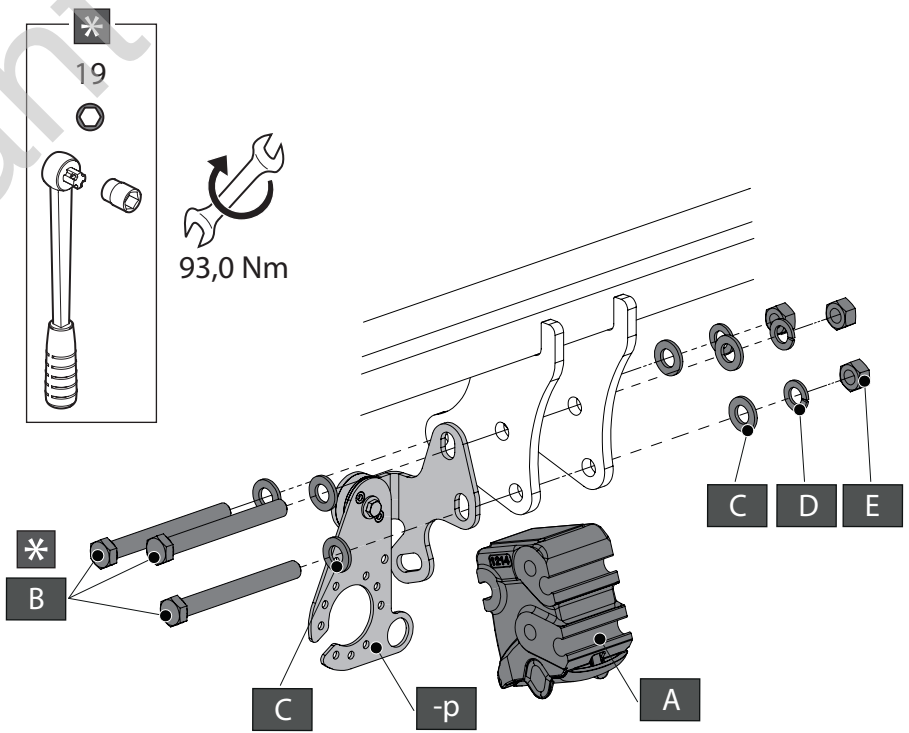
CLUBMAN & COUNTRYMAN

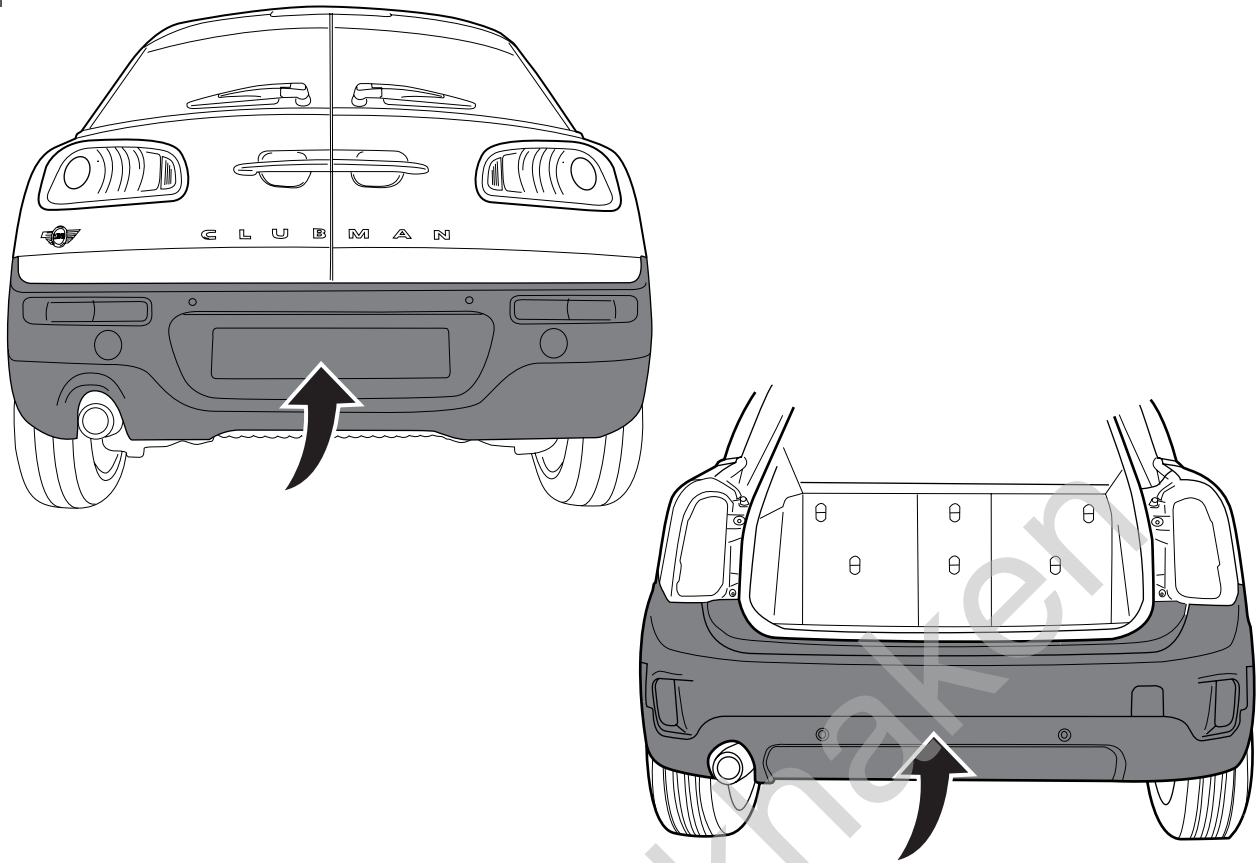
A		X1	GDW REF. 908.090
B		X1	DIN985-M6
C		X2	6,2 X 15,4 X 1,6 (NYLON)
D		X1	GDW REF. 718.16.002
E		X1	GDW REF. 718.16.003
F		X1	GDW REF. 908.094
G		X1	DIN933-M6 X 30



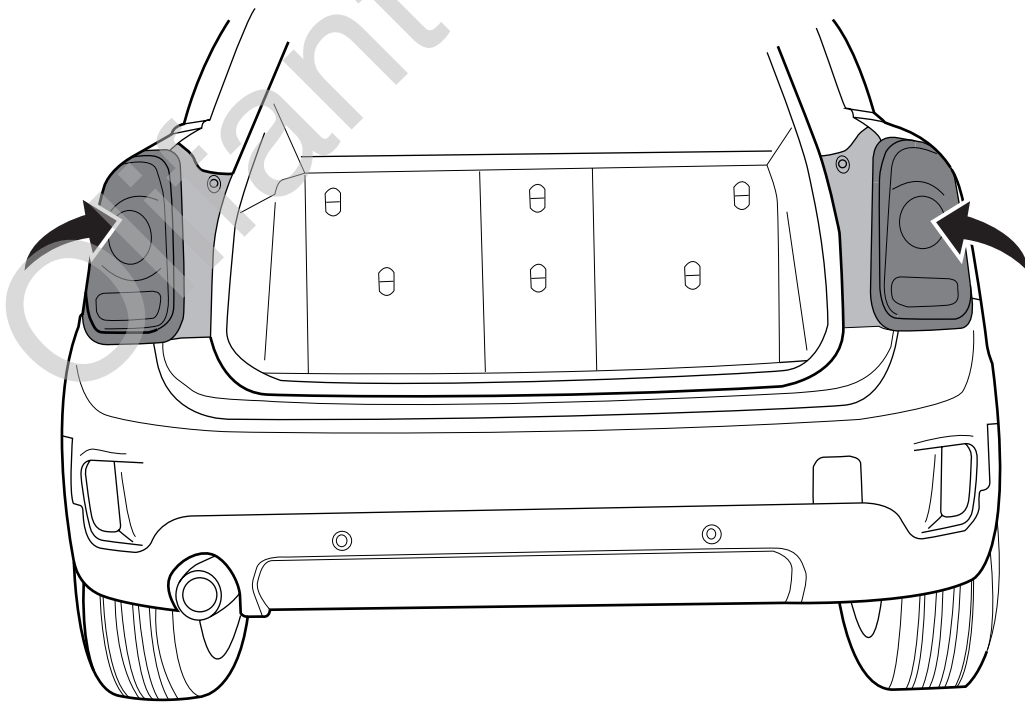
CLUBMAN & COUNTRYMAN

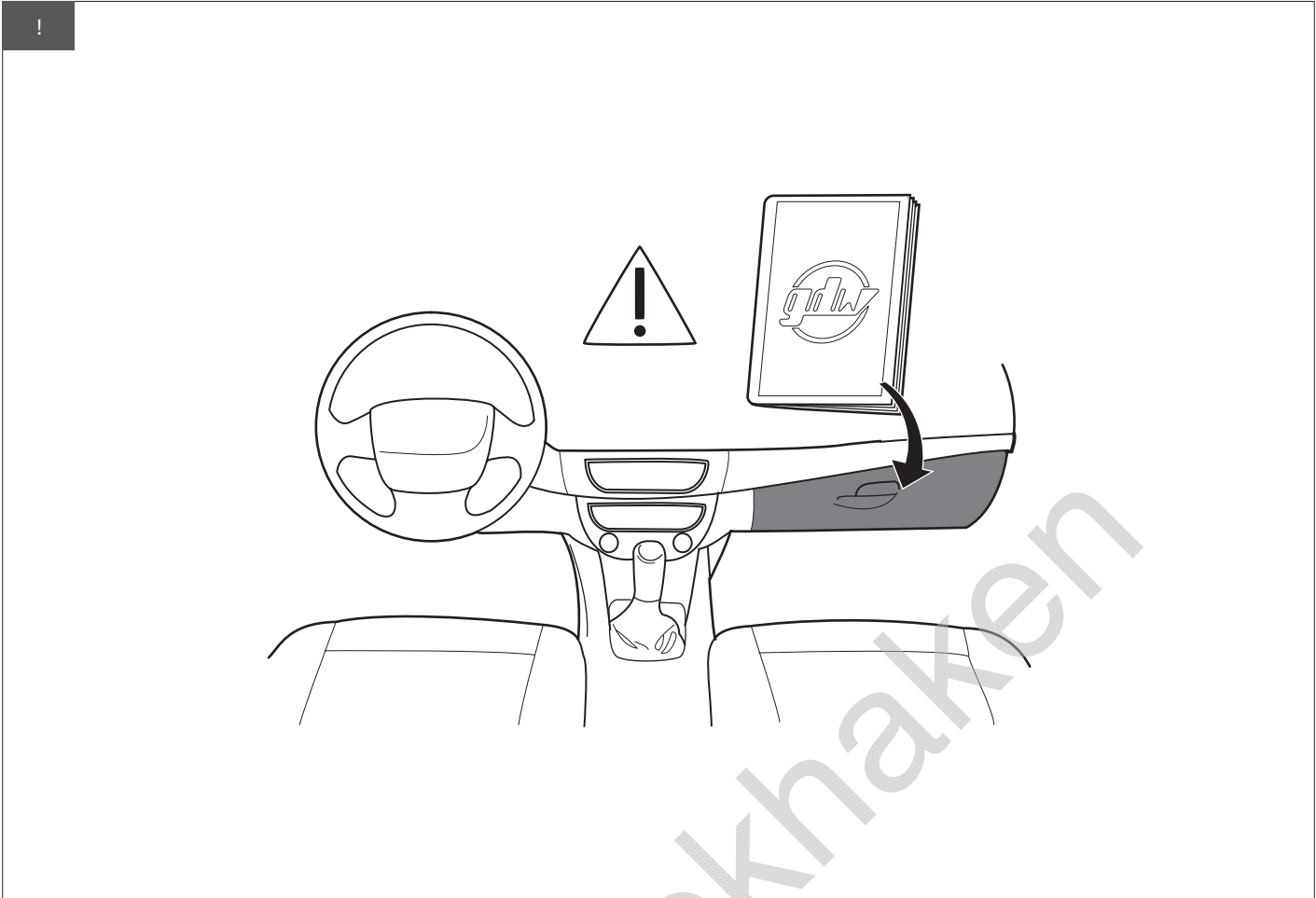
A		X1	912.003
B		X3	DIN931-M12X110
C		X6	DIN125A-M12
D		X3	DIN128A-M12
E		X3	DIN934-M12





COUNTRYMAN





Olifant trekhaken