

AUTO-HAK Sp. z o.o.

ul. Słoneczna 16K 76-200 SŁUPSK
POLAND

tel/fax +48 59 8 414 414; +48 59 8 414 413

e-mail: office@autohak.com.pl

www.autohak.com.pl



AUTO-HAK

MERCEDES GLC (X253) + AMG-Pakiet, ~~AMG~~

Cat. no:

D52A



09.2015 → 06.2019

07.2019 →



E20-55R-01 4850



2h

D

13,2 kN



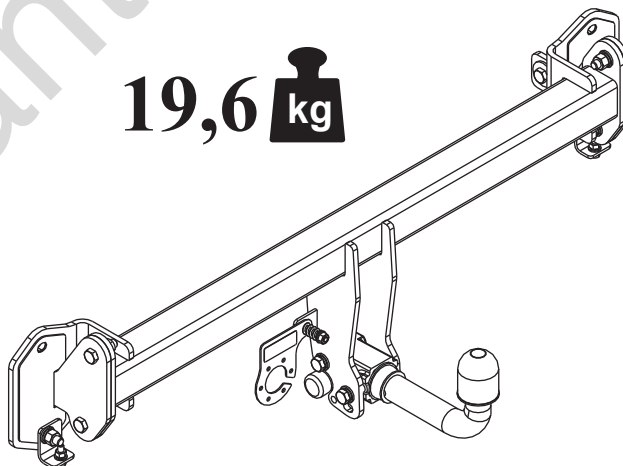
R=2730 kg



S=100 kg



19,6 kg



M6 - 8,5 Nm
M10 - 41 Nm
M14 - 112 Nm

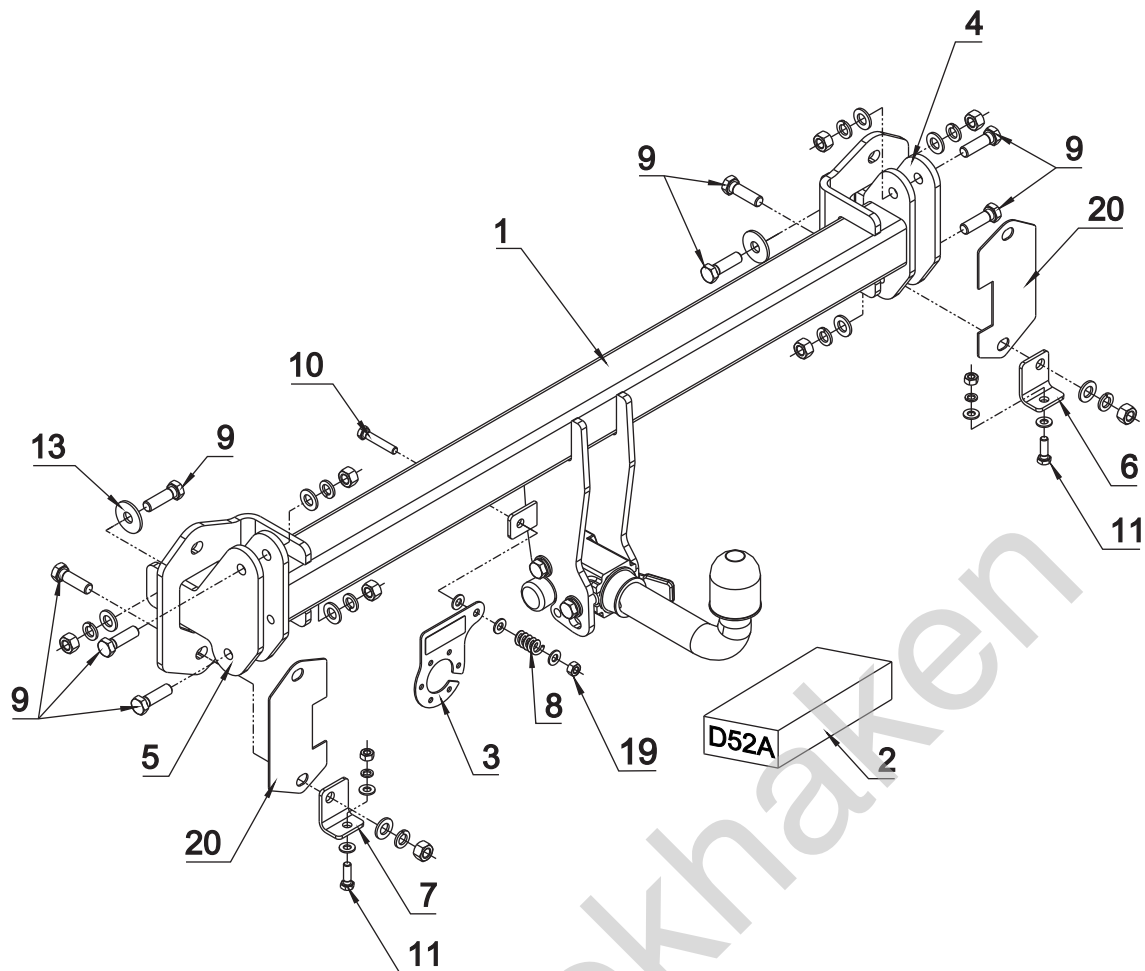
M8 - 20 Nm
M12 - 70 Nm
M16 - 170 Nm

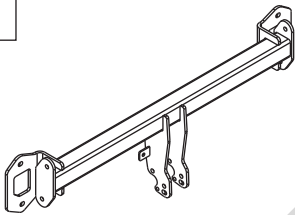

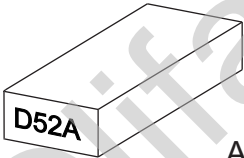





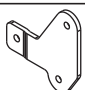


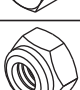

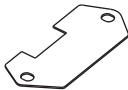



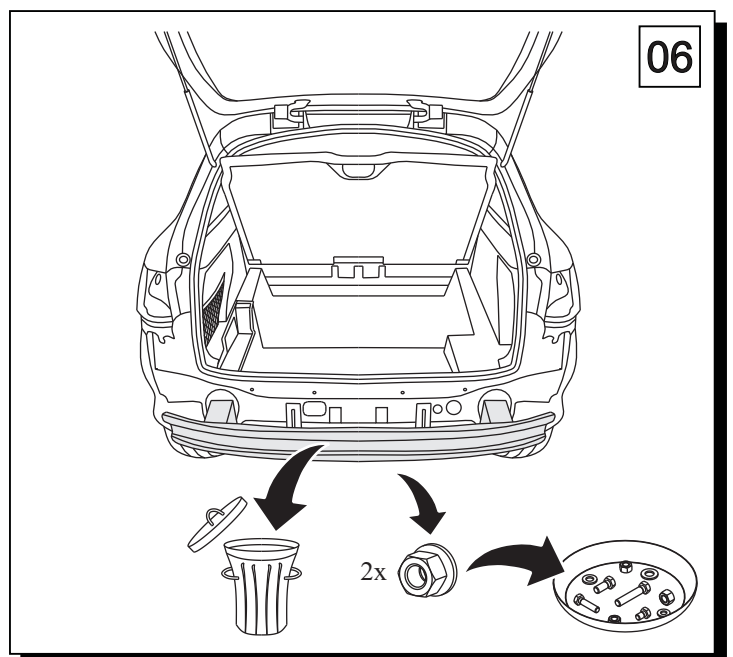
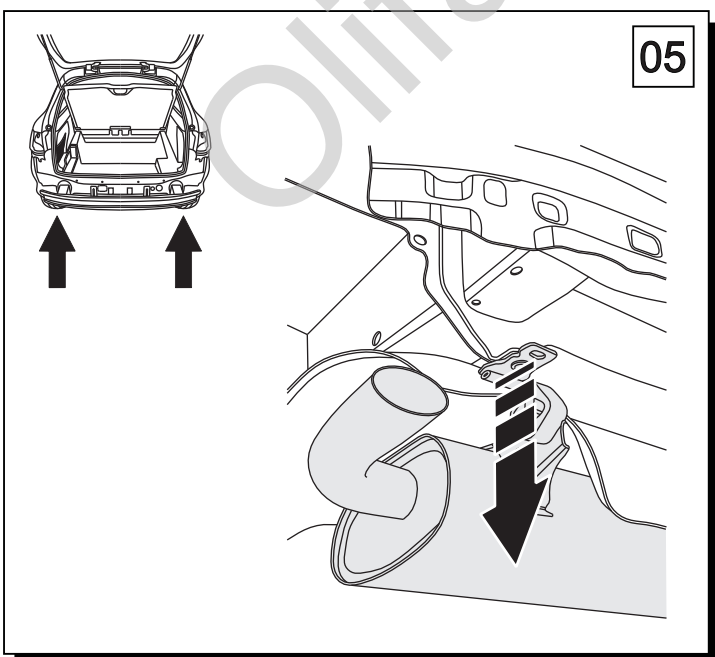
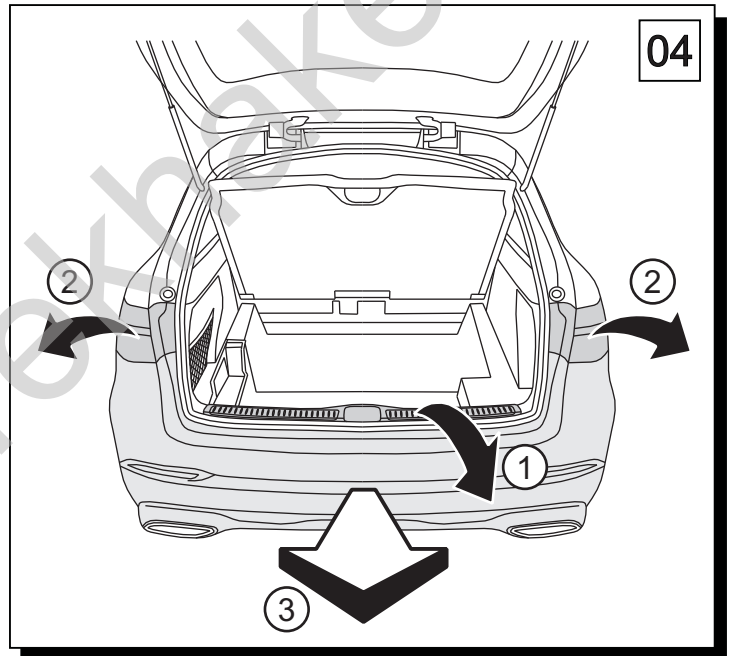
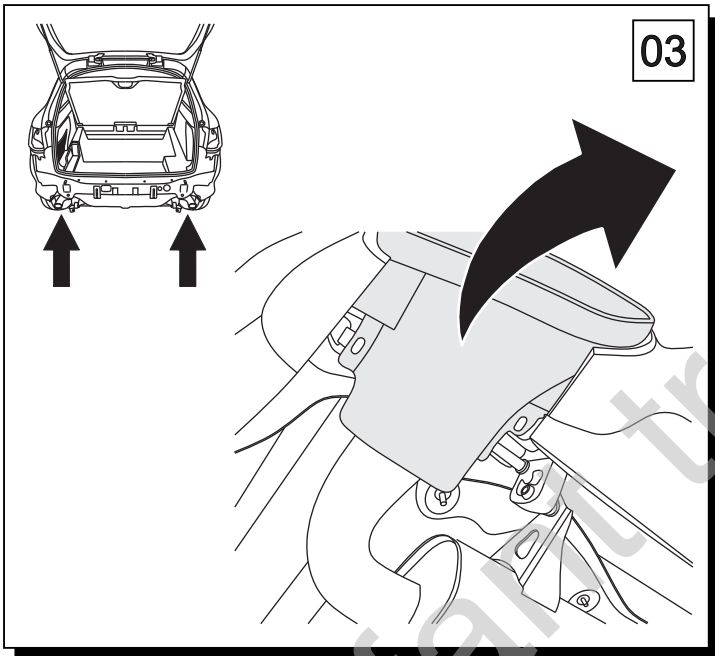
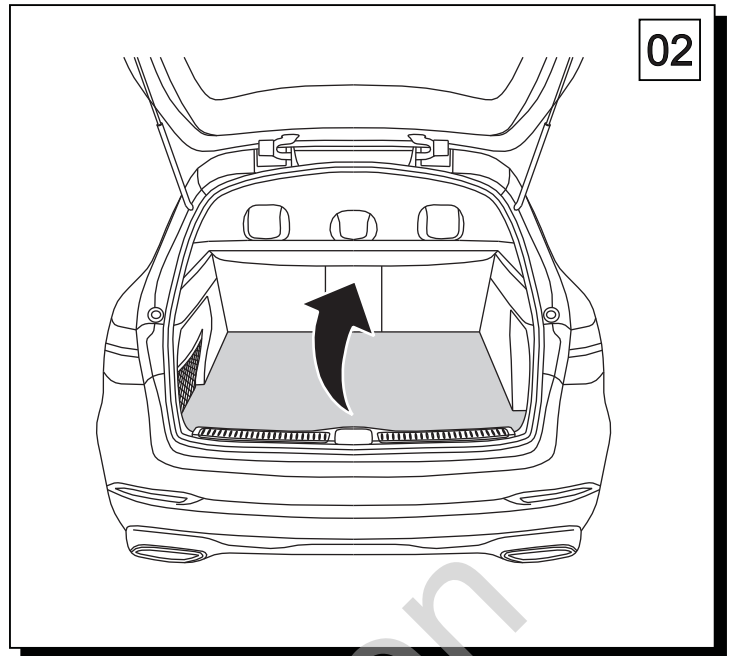
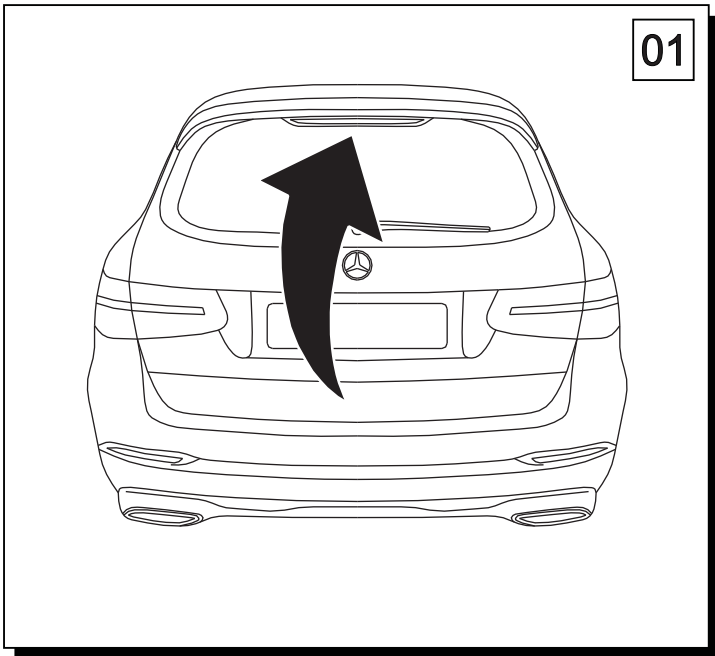
0 km →

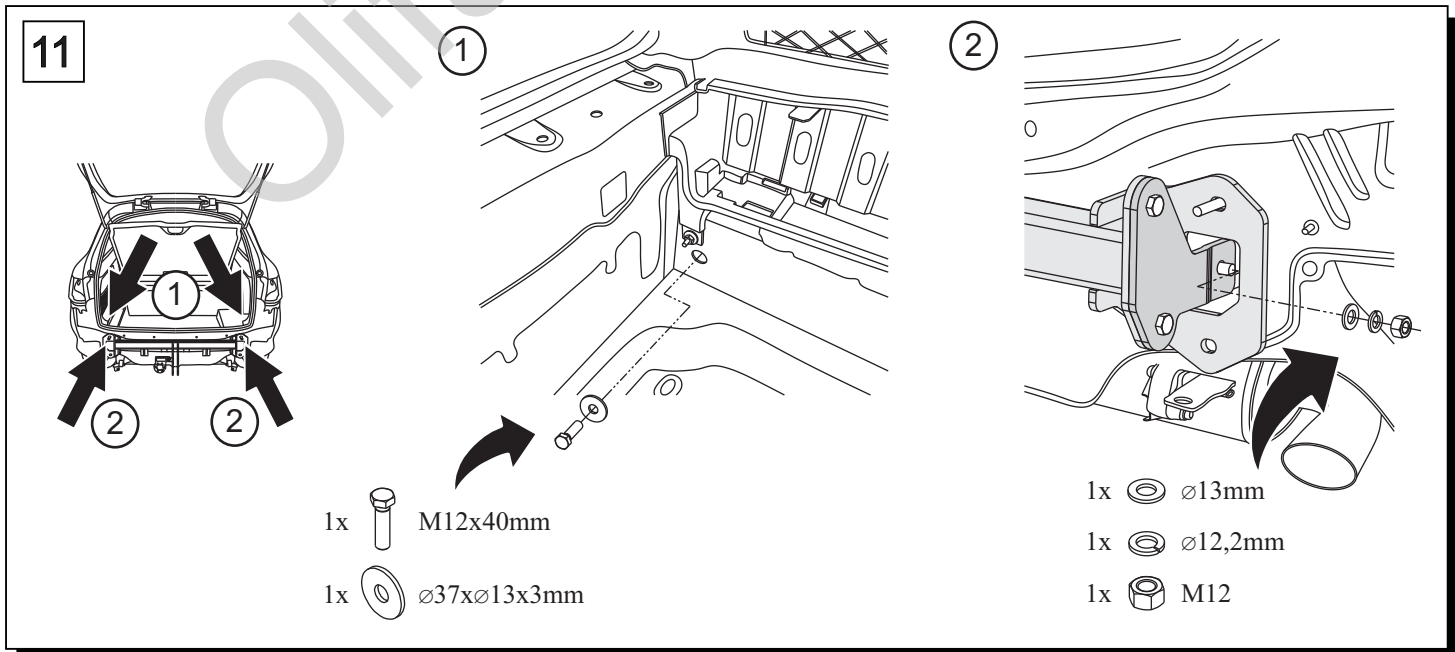
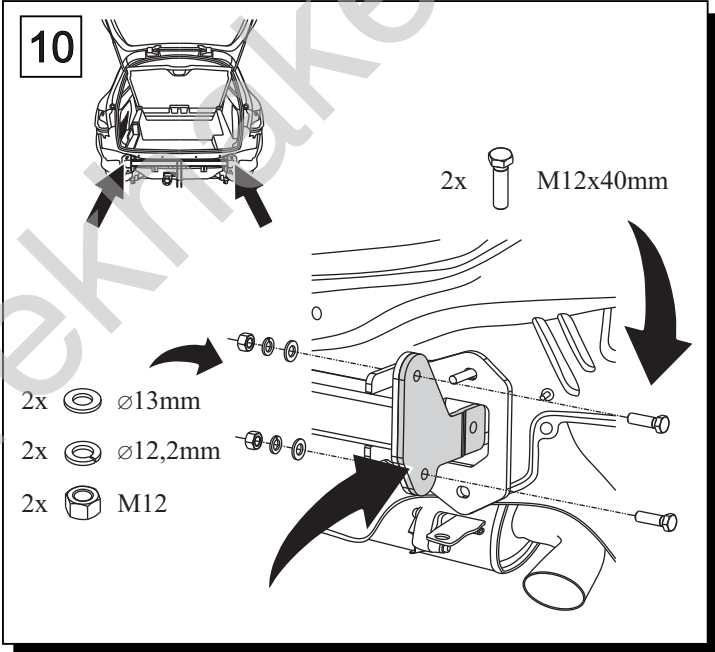
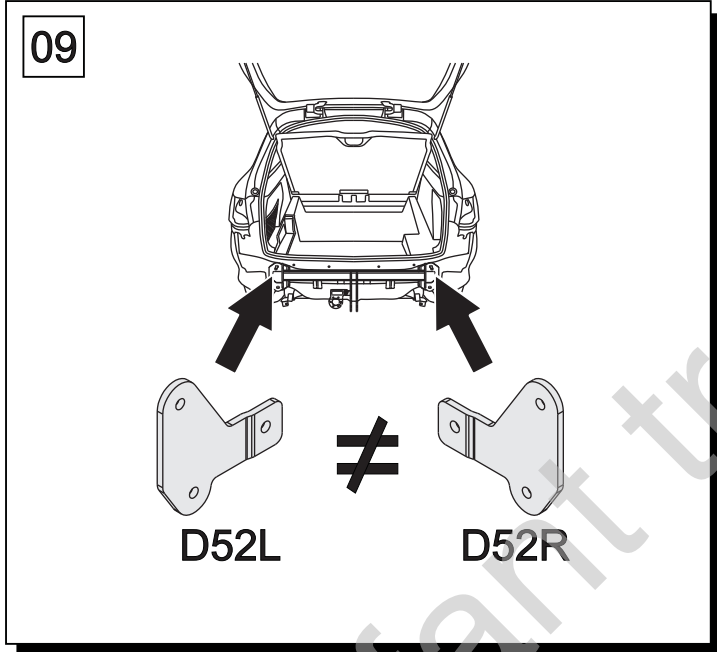
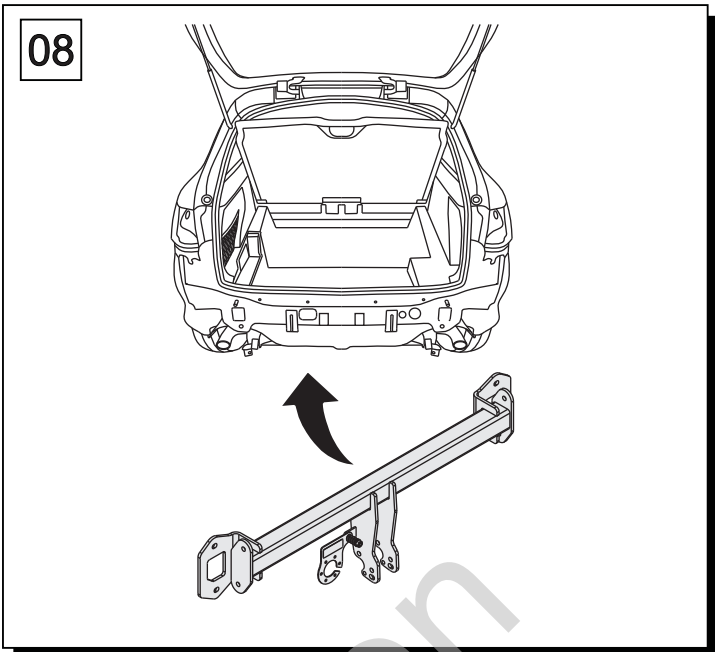
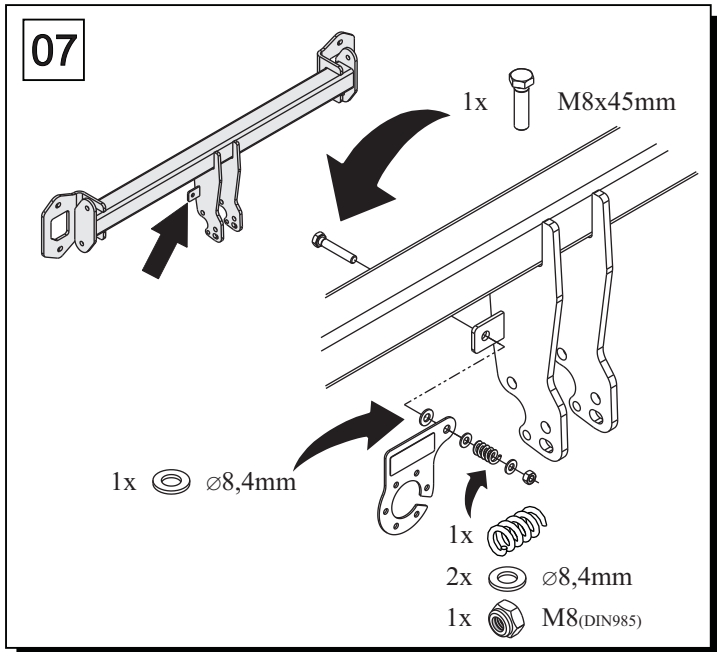


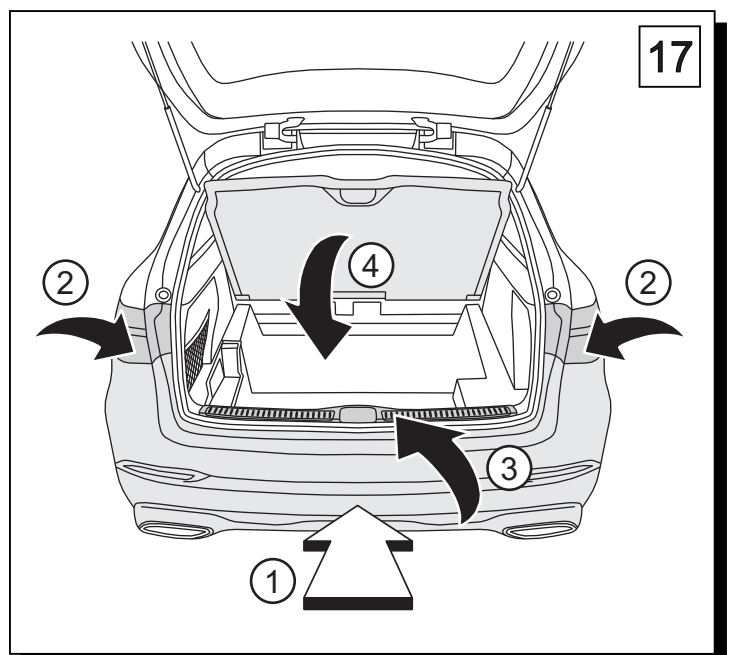
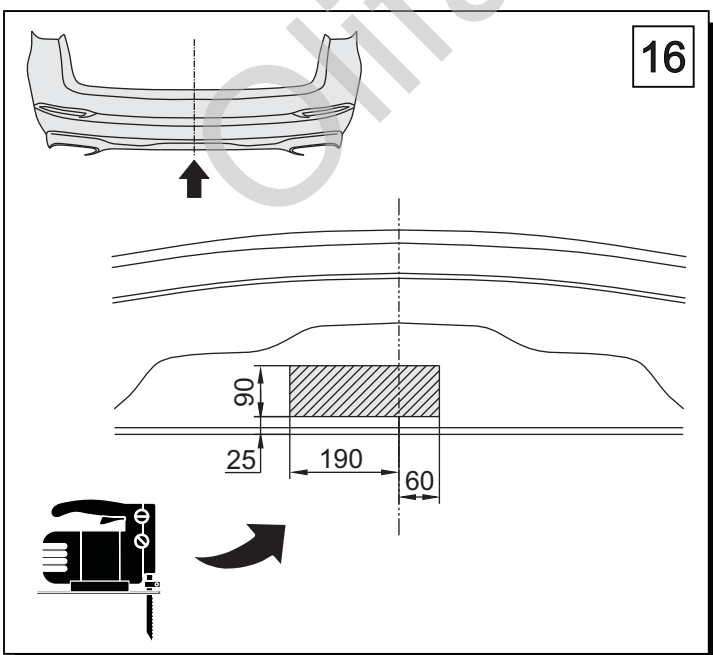
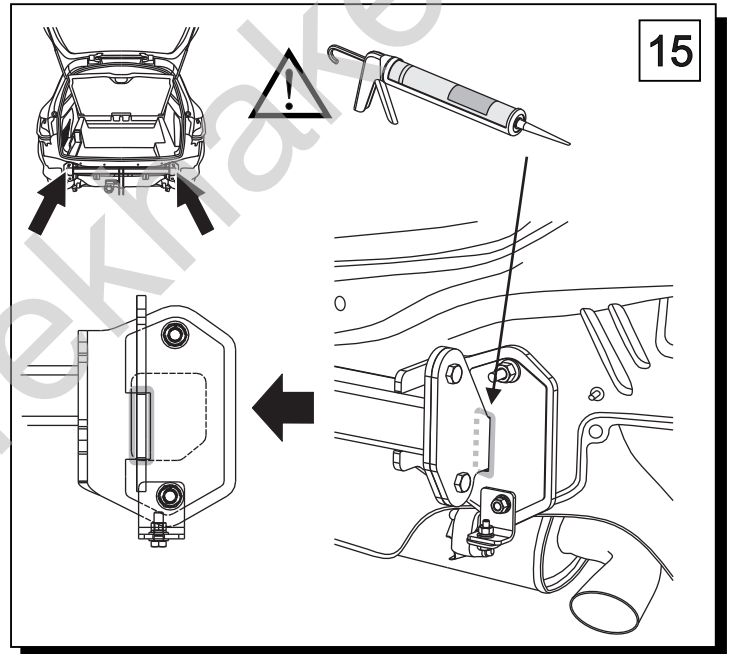
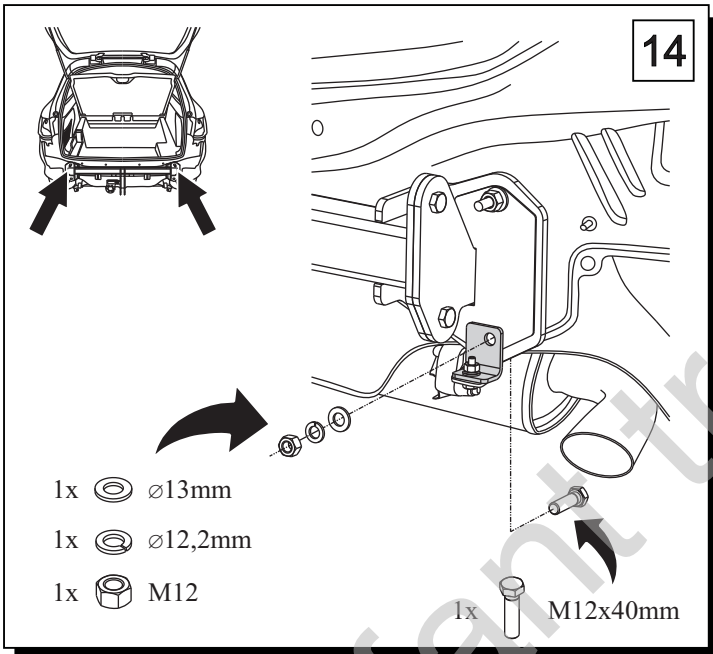
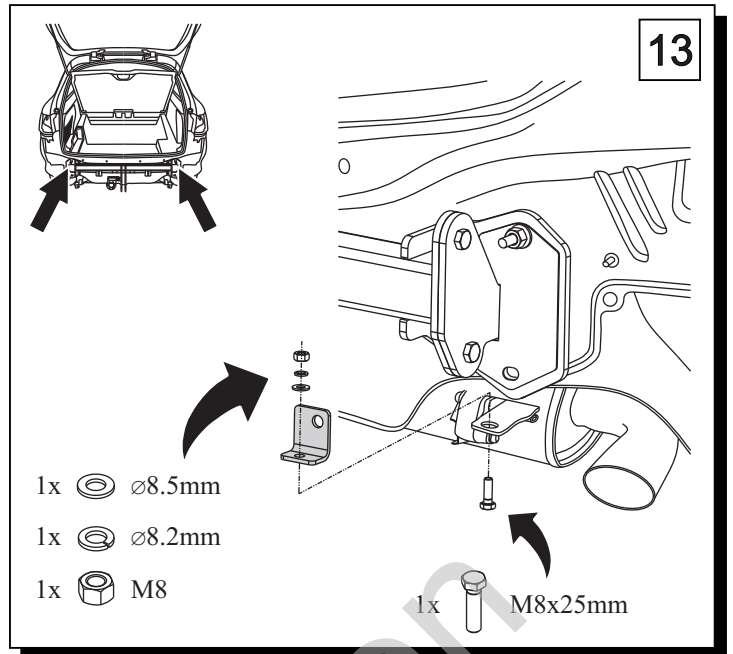
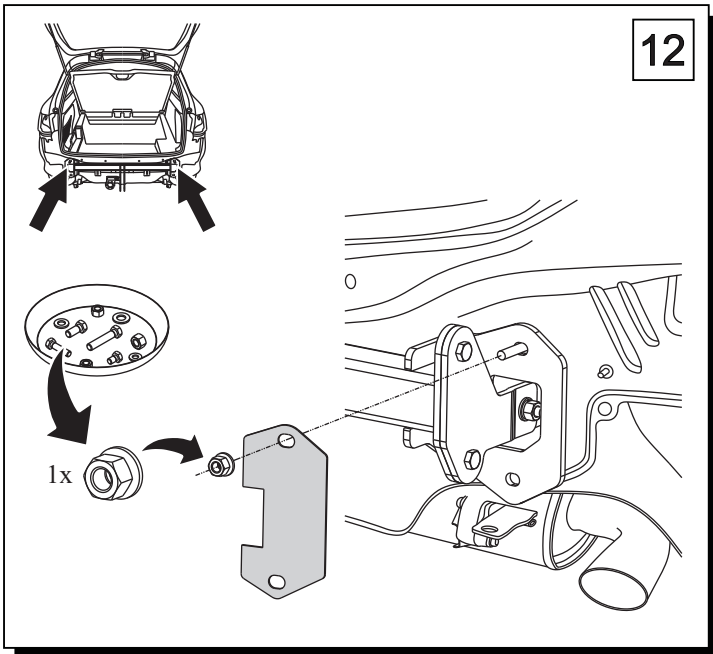
1000 km

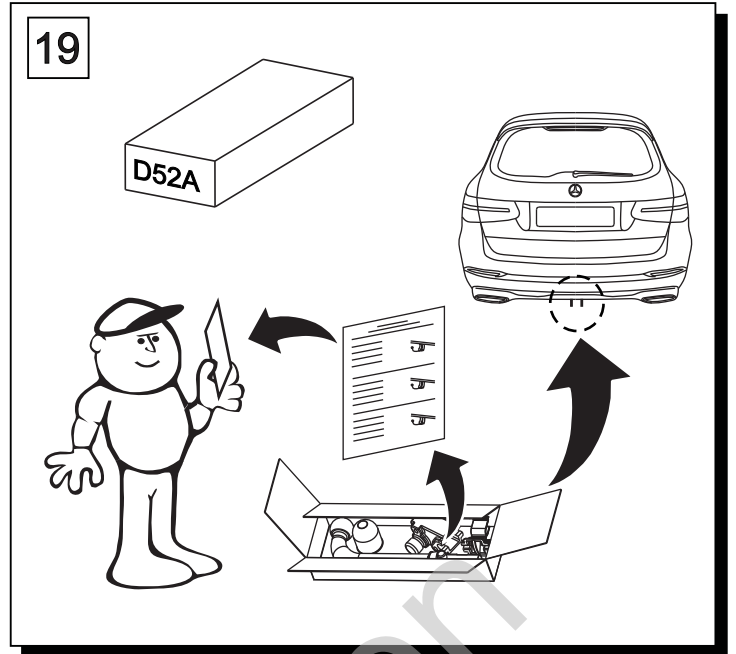
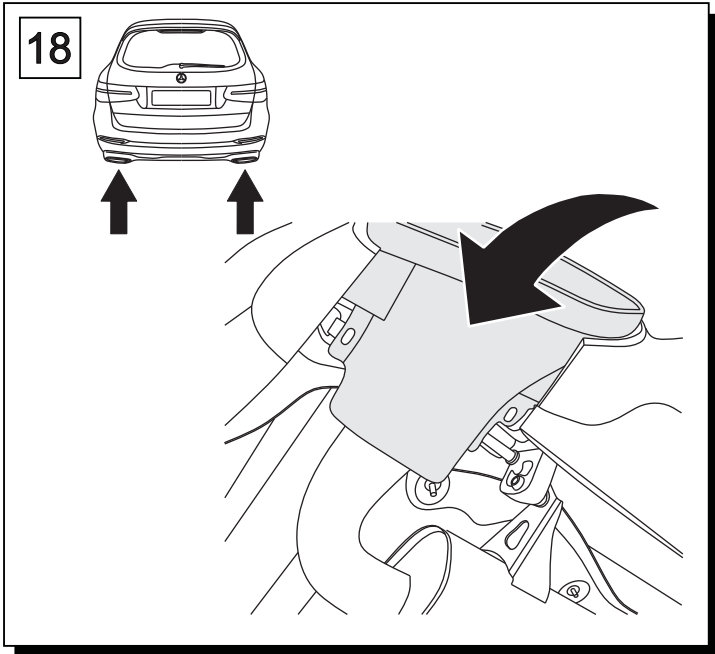


1		x 1		9	M 12x40	x 8
				10	M 8x45	x 1
2		x 1		11	M 8x25	x 2
				12	∅ 13	x 8
3		x 1		13	∅ 37x∅13x3 13 DIN 9021	2
				14	∅ 8.5	x 7
4		x 1		15	∅ 12.2	x 8
				16	∅ 8.2	x 2
5		x 1		17	M 12	x 8
				18	M 8	x 2
6		x 1		19	M 8 (DIN985)	x 1
7		x 1		20		x 2
8		x 1				









Olifant trekhakeri