



Mercedes-Benz GLA (type H247) 02/'20 -

✓ STANDARD

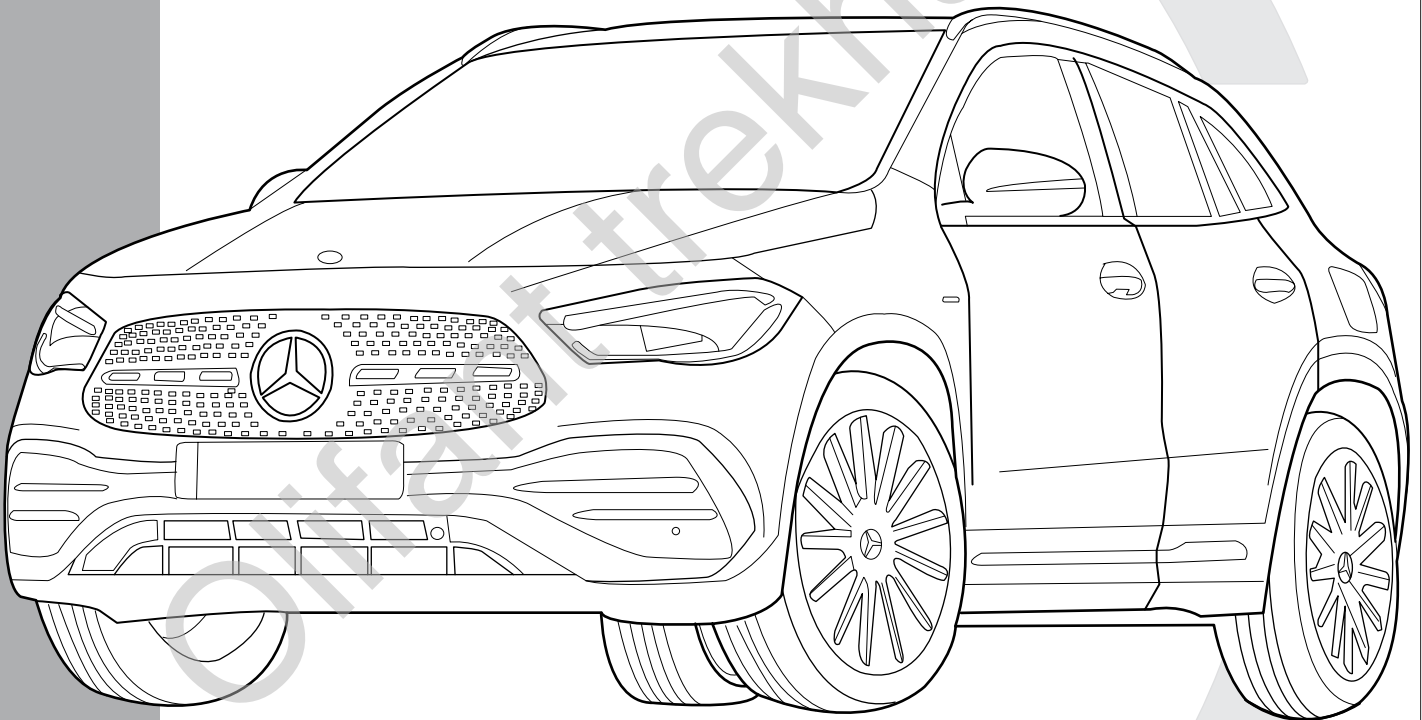
✓ AD BLUE

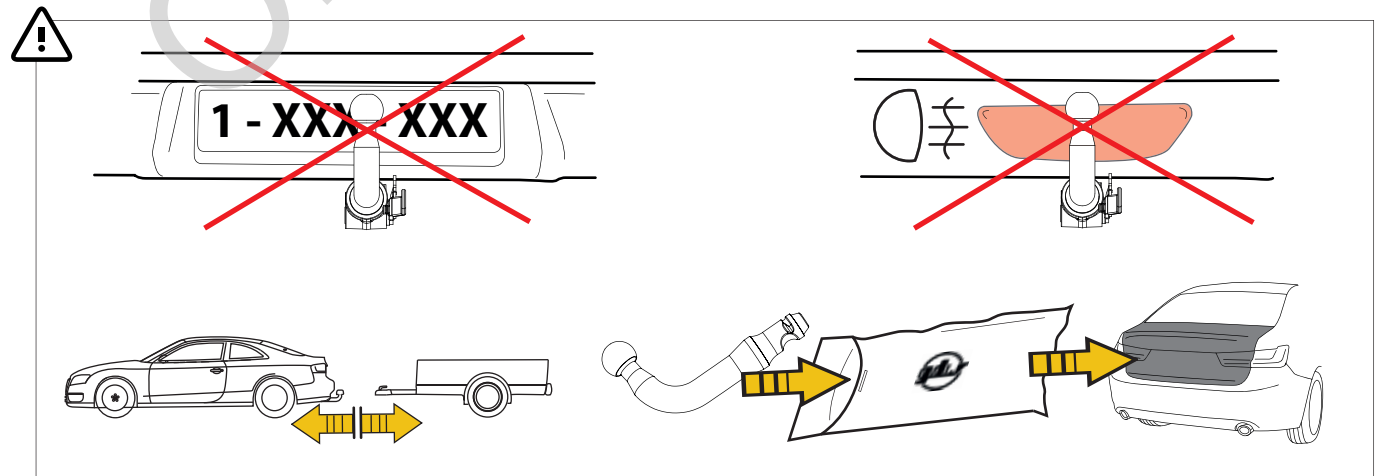
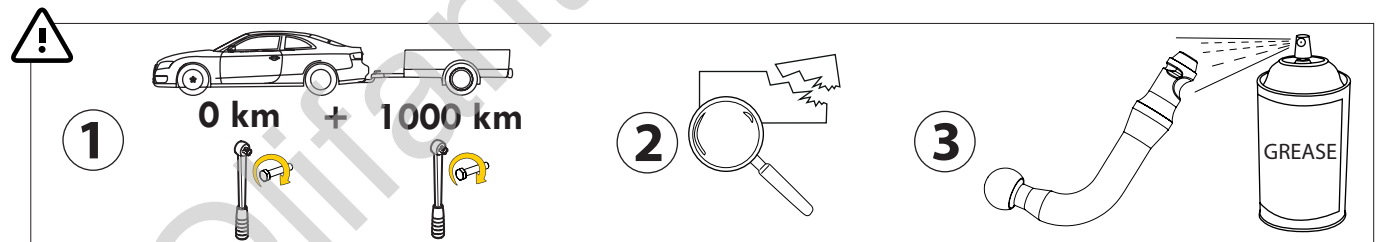
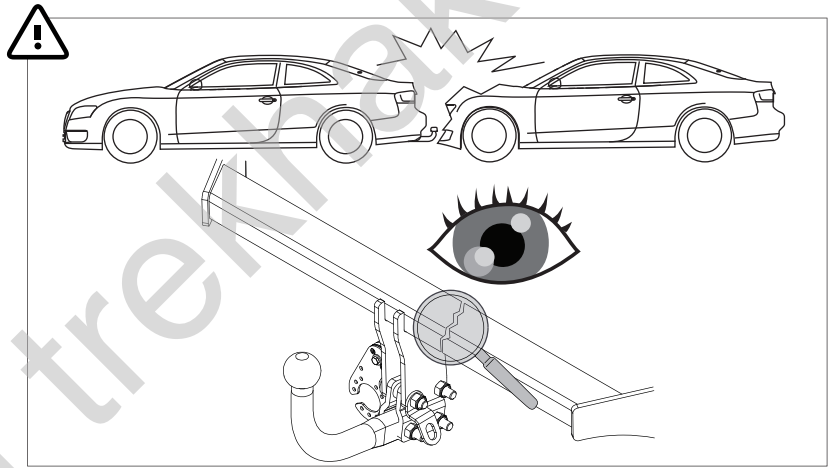
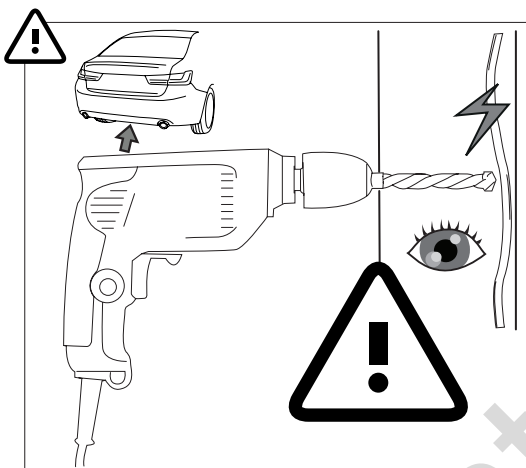
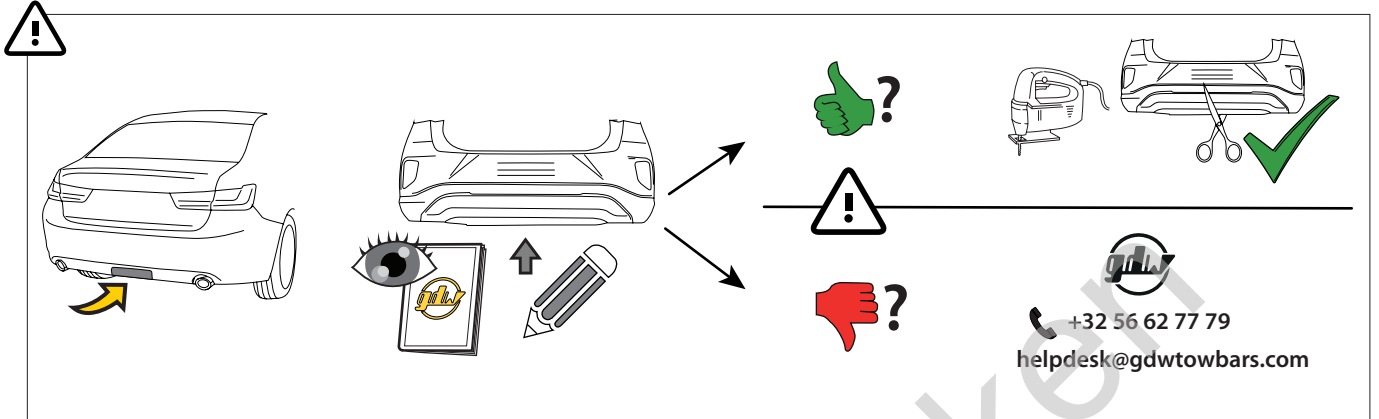
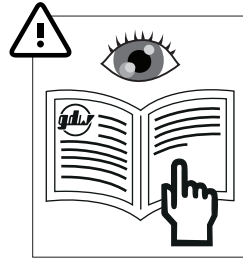
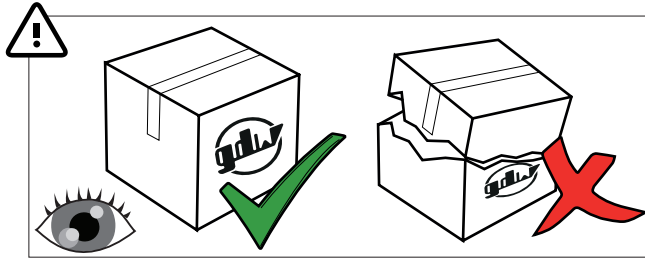
✓ EQ POWER (HYBRID)

✓ AMG-LINE

✗ EDITION 1

✗ AMG





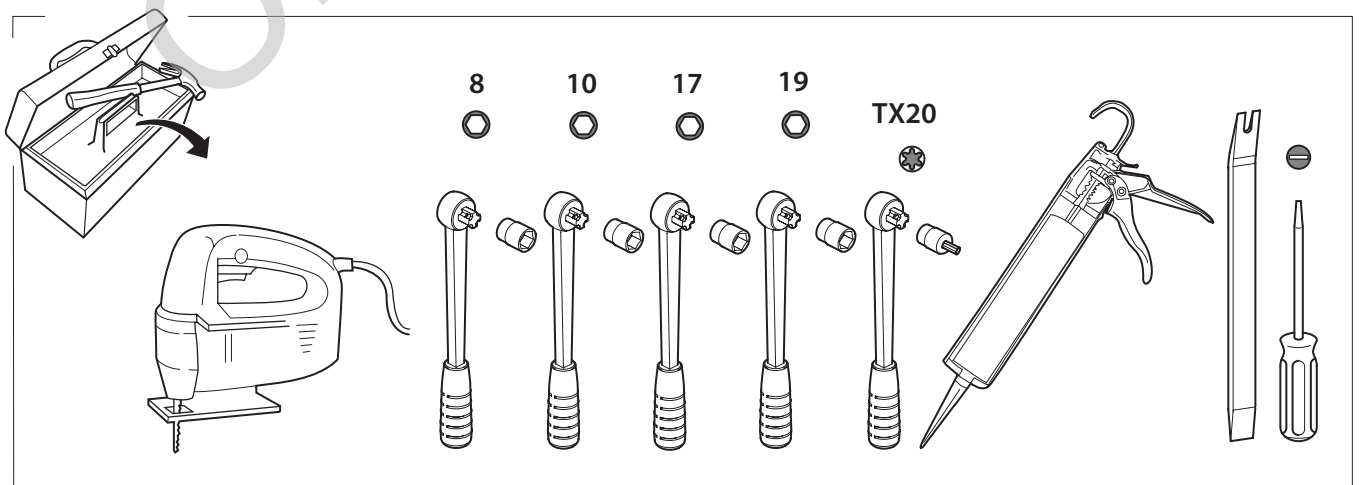
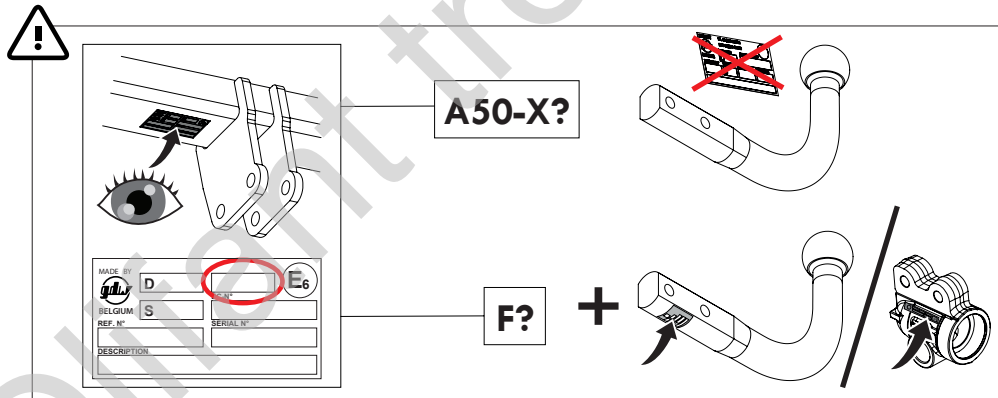
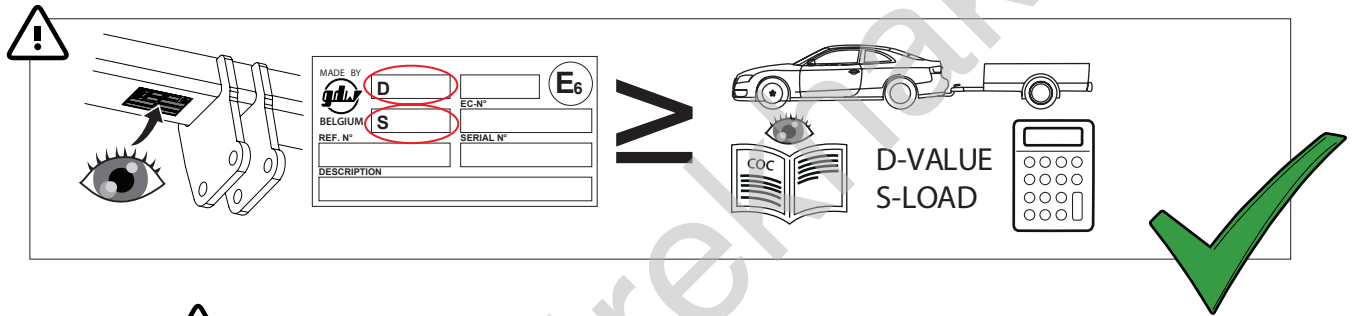
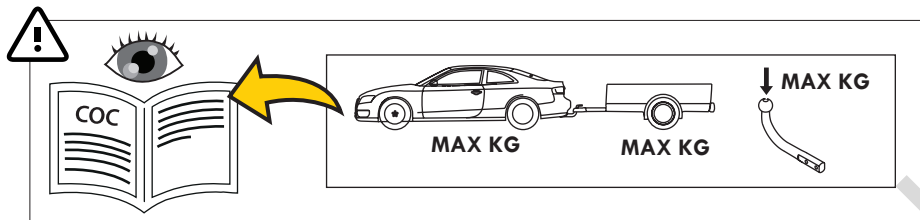
MADE BY 	D 10,80	F	E6
BELGIUM	S 100	EC-N° 55R01/07*1617*01	
REF N° 2490		SERIAL N° XXXX	
DESCRIPTION Mercedes-Benz GLA 02/'20-			

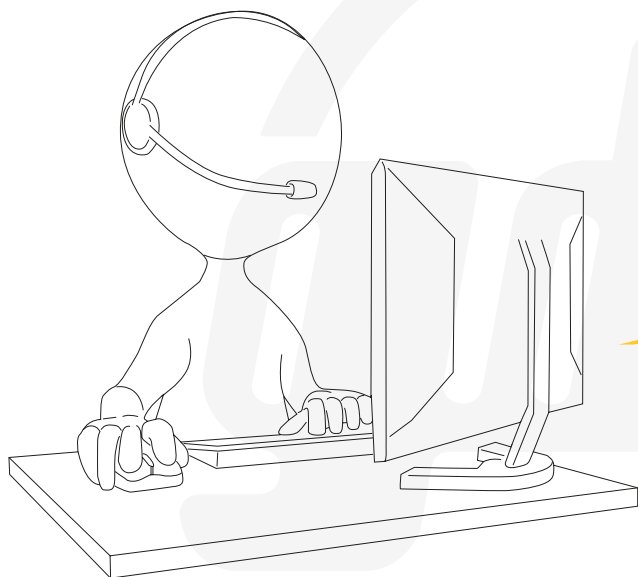
!

D = $\frac{\text{max kg (car)} \times \text{max kg (trailer)}}{\text{max kg (car)} + \text{max kg (trailer)}} \times 0.00981 \leq 10,80 \text{ kN}$

S = $\leq 100 \text{ kg}$ $\leq 2000 \text{ kg}$

See the Certificate Of Conformity (COC) of your vehicle or contact your dealer to verify the max. trailer weight of your car!

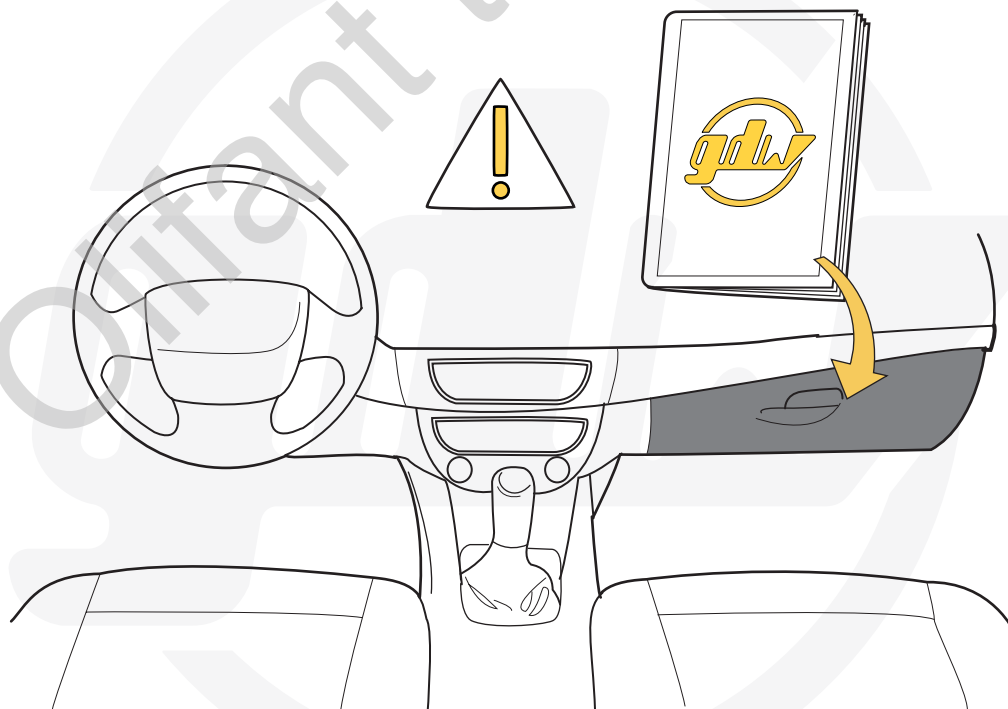


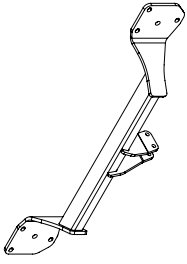

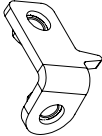




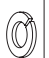

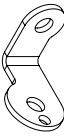



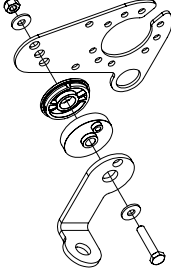




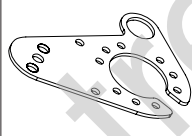

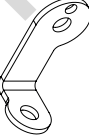
helpdesk@gdwtowbars.com

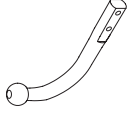
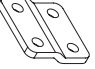


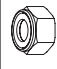
+32 56 62 77 79

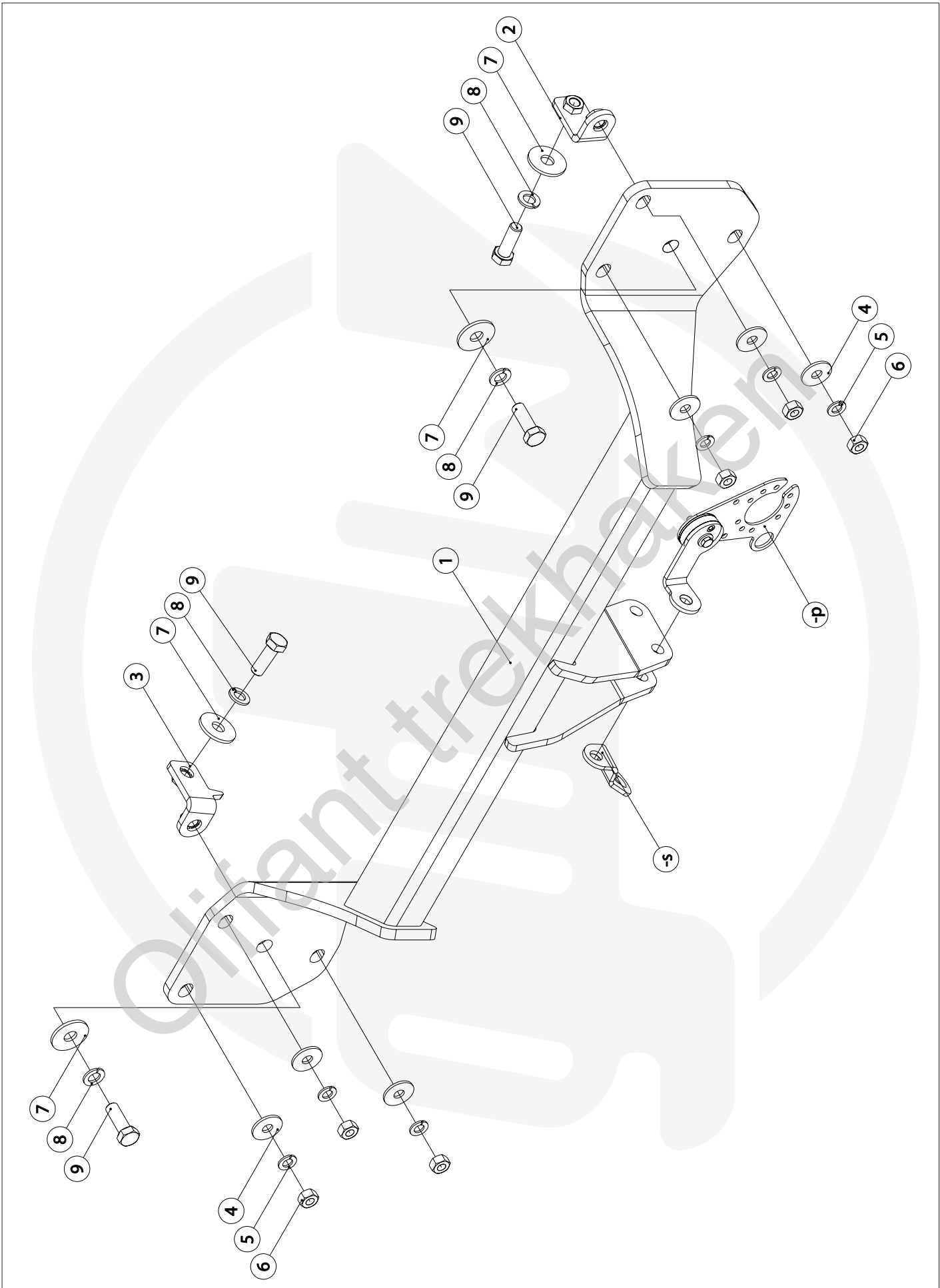
Monday	08:00 - 12:00	12:30 - 16:30
Tuesday	08:00 - 12:00	12:30 - 16:30
Wednesday	08:00 - 12:00	12:30 - 16:30
Thursday	08:00 - 12:00	12:30 - 16:30
Friday	08:00 - 12:00	12:30 - 15:30



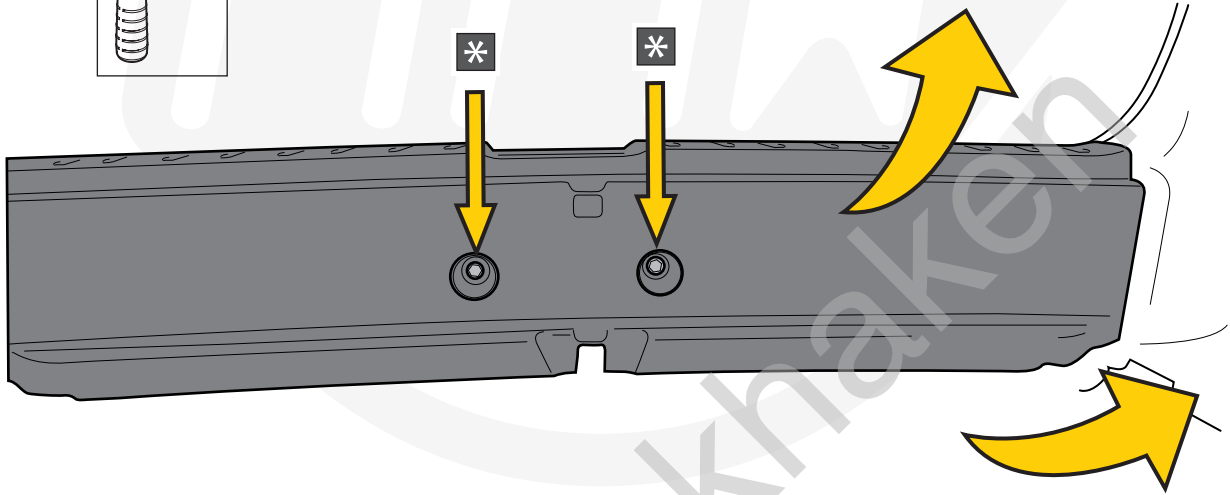
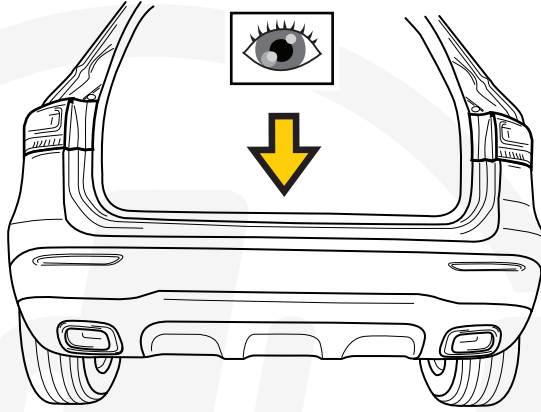
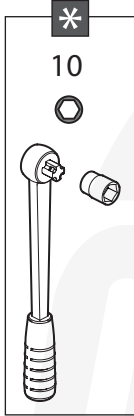
1		X1	GDW REF. 2490
2		X1	GDW REF. 2
3		X1	GDW REF. 3
4		X6	DIN9021-M10-ELVZ
5		X6	DIN128A-M10
6		X6	DIN934-M10
7		X4	DIN9021-M12-ELVZ
8		X4	DIN128A-M12
9		X4	DIN933-M12 X 35
-V		X1	GDW REF. 908.095
-S		X1	GDW REF. 900.053

-P		X1	GDW REF. P46
└		X1	DIN985-M6
└		X2	6,2 X 15,4 X 1,6 (NYLON)
└		X1	GDW REF. 718.16.002
└		X1	GDW REF. 718.16.003
└		X1	GDW REF. 908.094
└		X1	DIN933-M6 X 30
└		X1	GDW REF. 908.T01

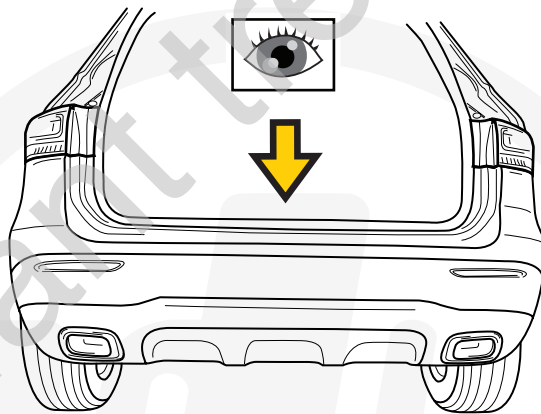
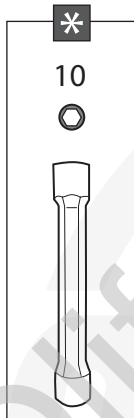
Geleverd met - Livré avec - Delivered with Gefiefert mit - Elementos adjuntos-Leveres med		
	X1	944.H006
	X2	GDW REF. 900.008
	X2	GDW REF. 900.011 Ø 21,3 X 11,7
	X4	DIN931-M12 X 70
	X4	DIN985-M12



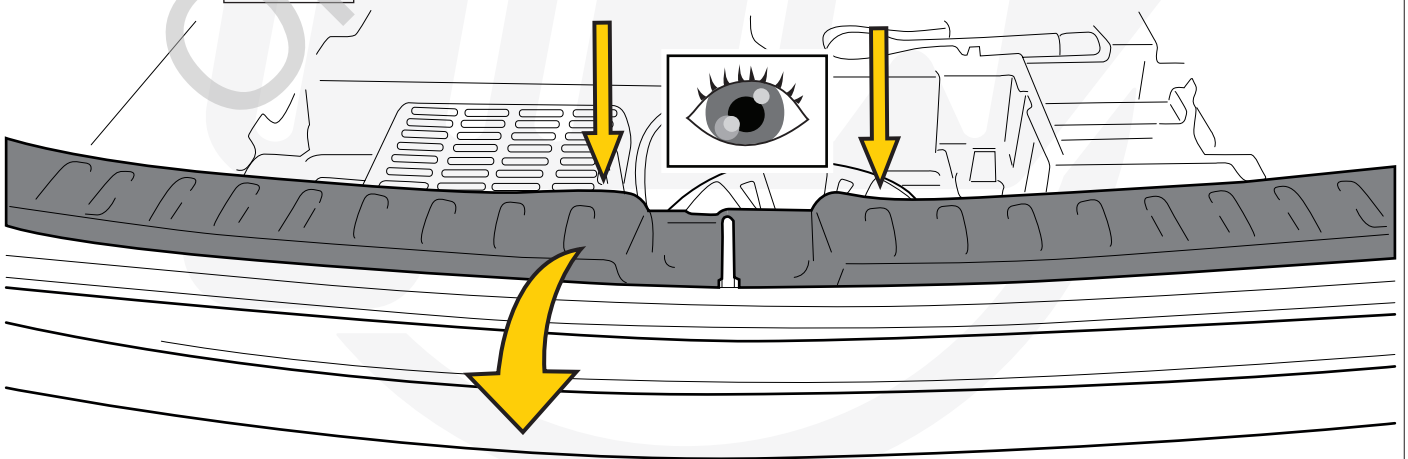
1



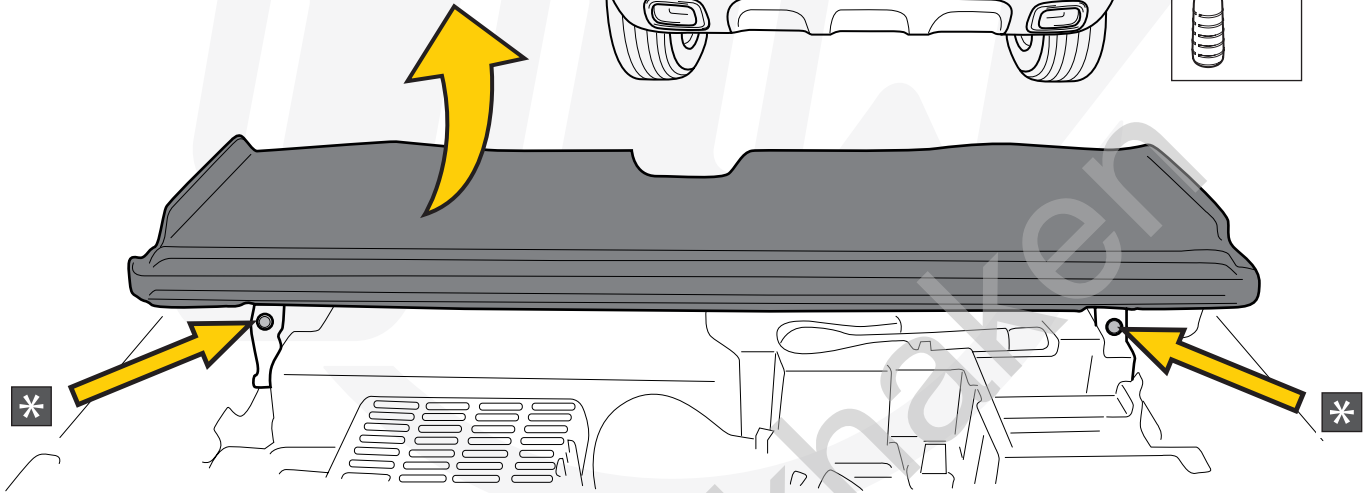
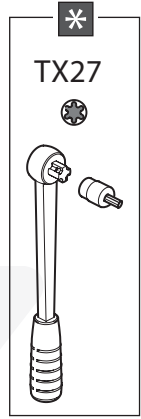
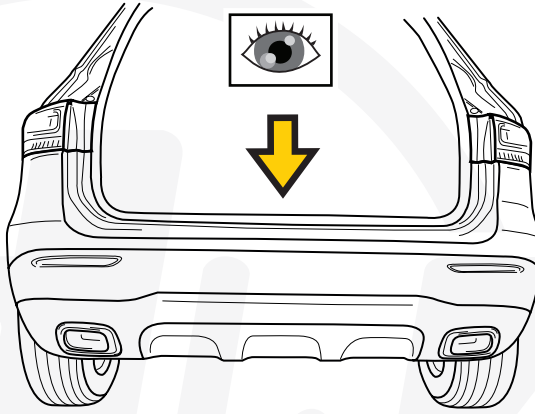
2



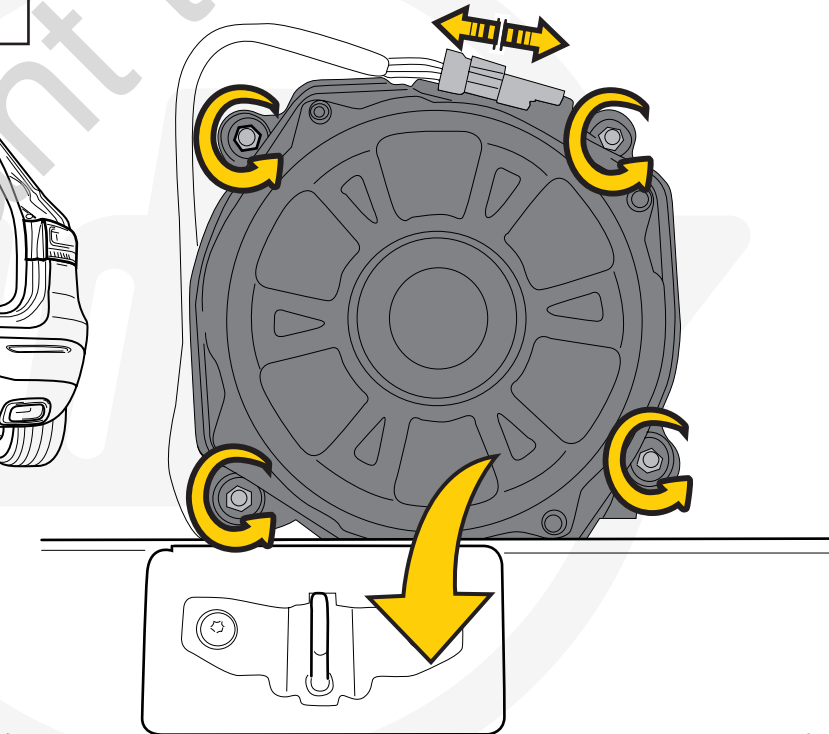
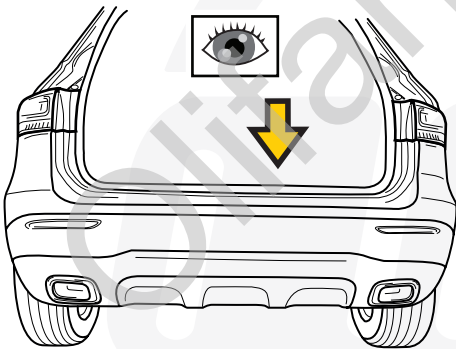
EQ POWER

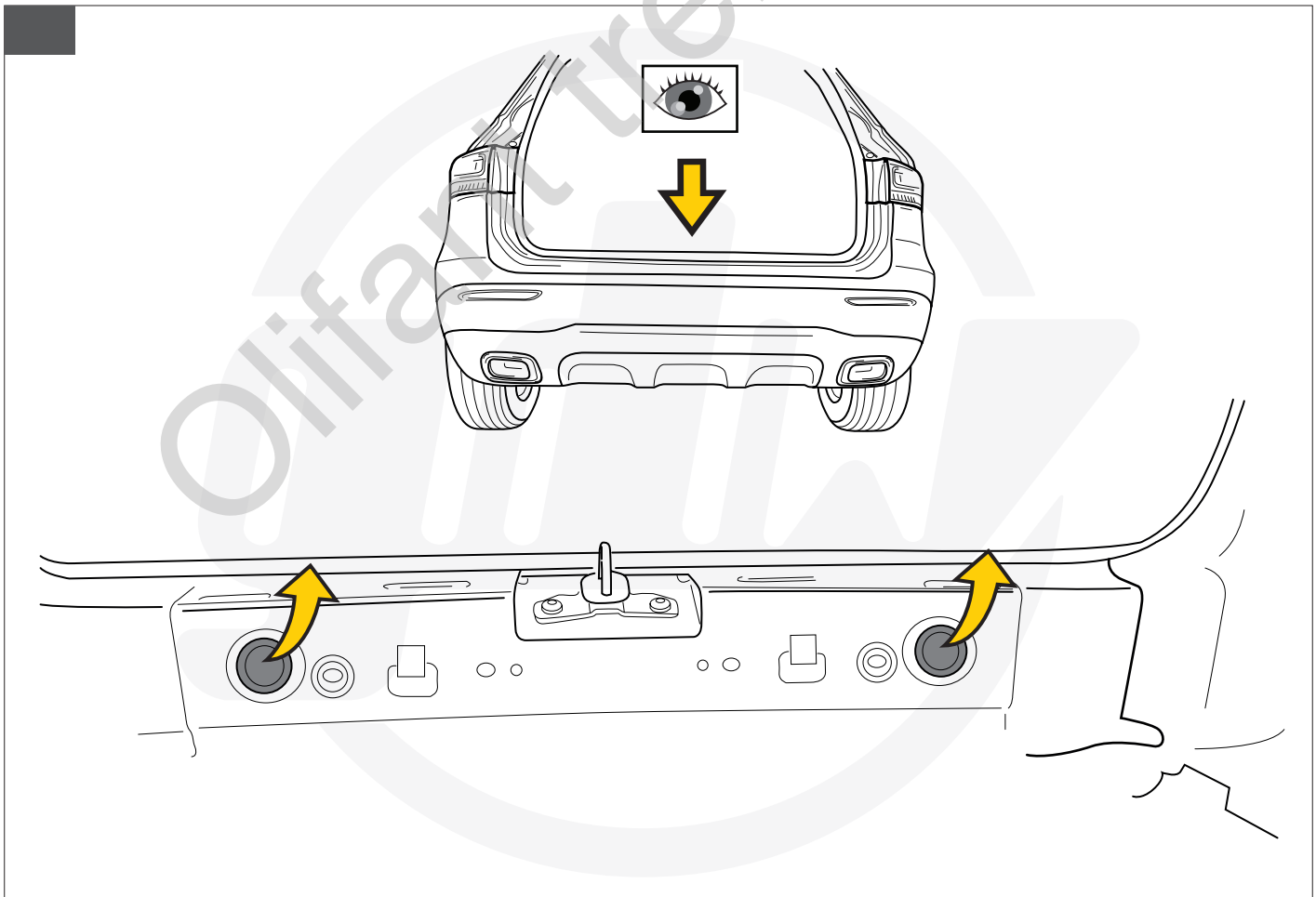
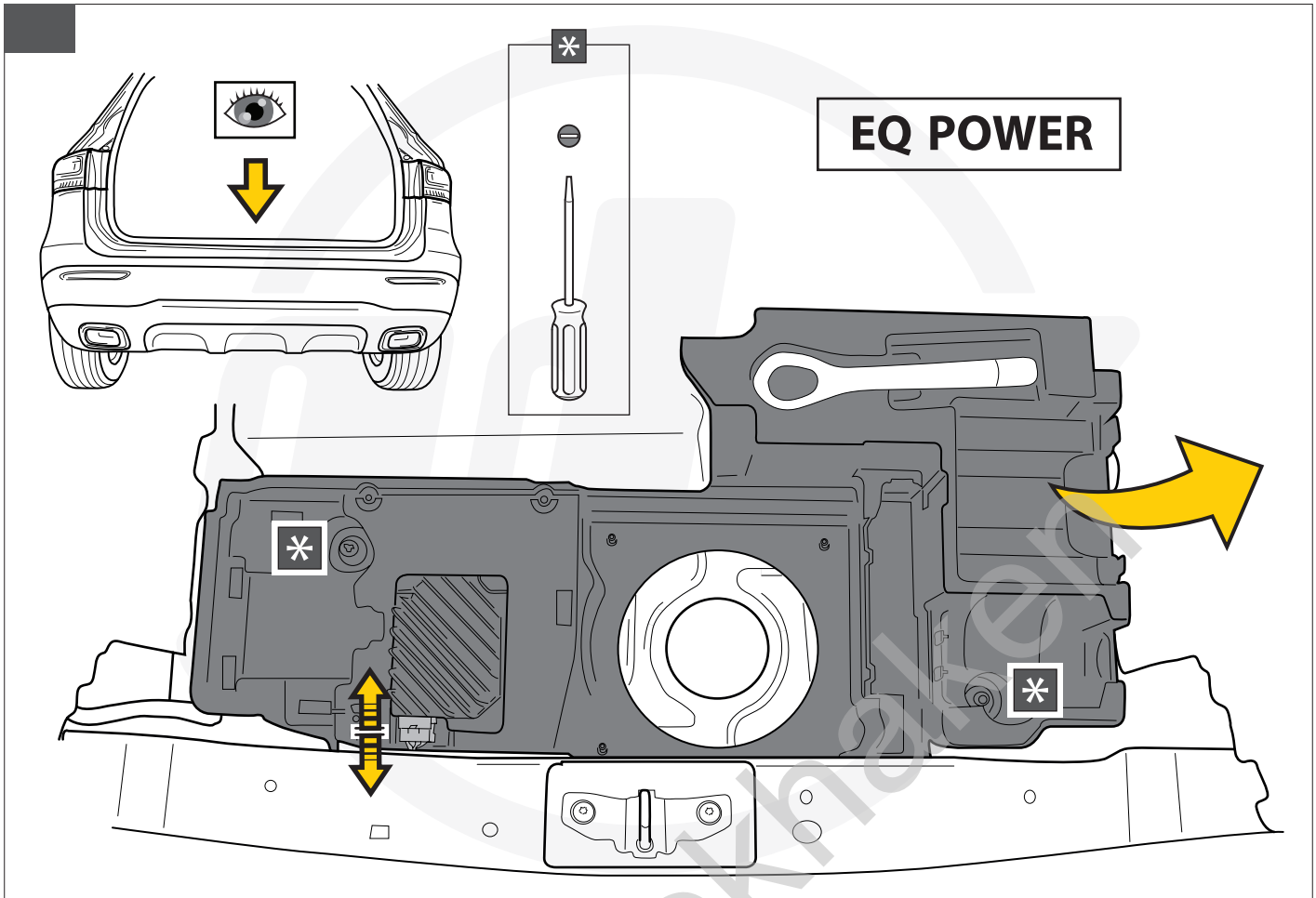


EQ POWER

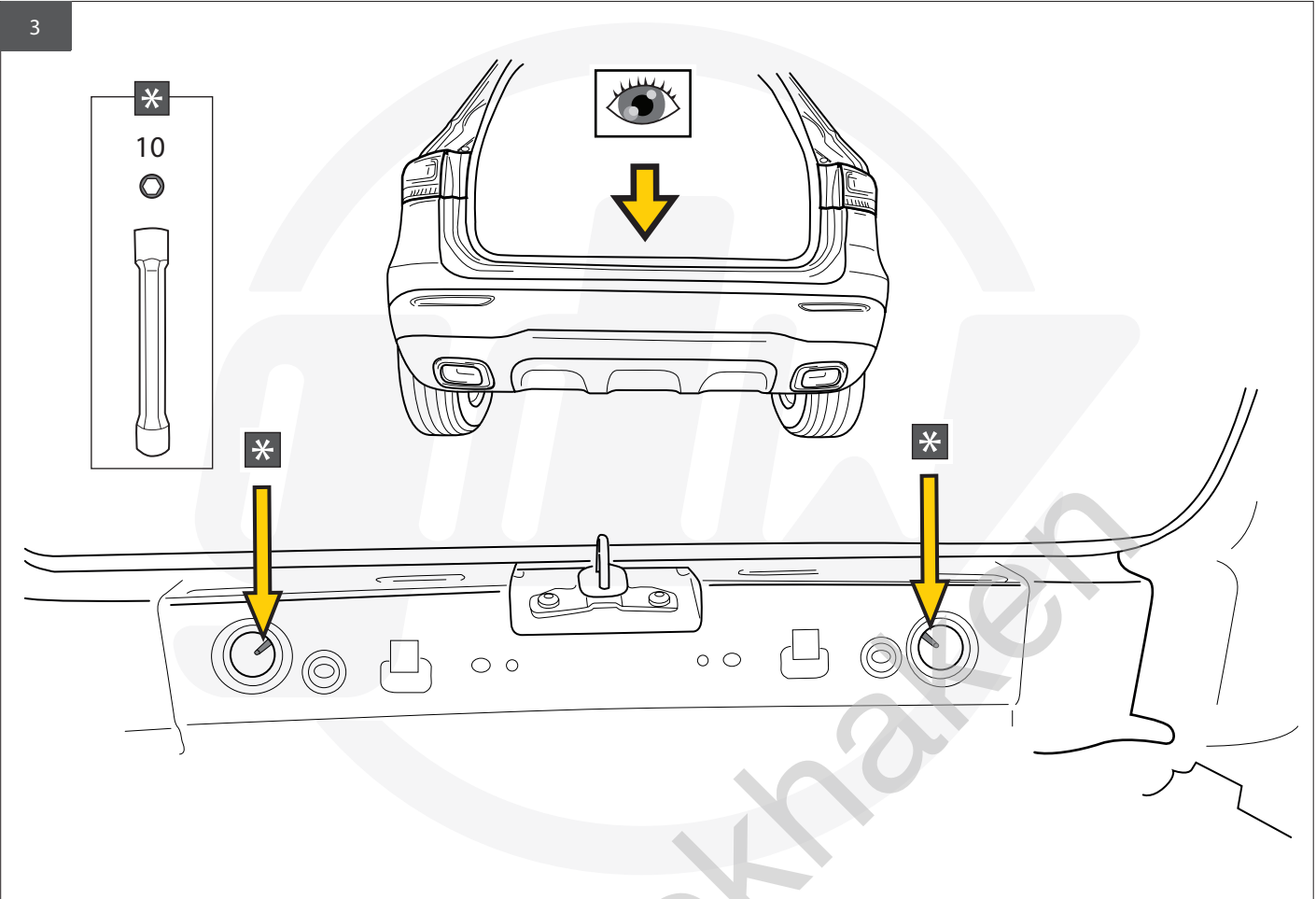


EQ POWER

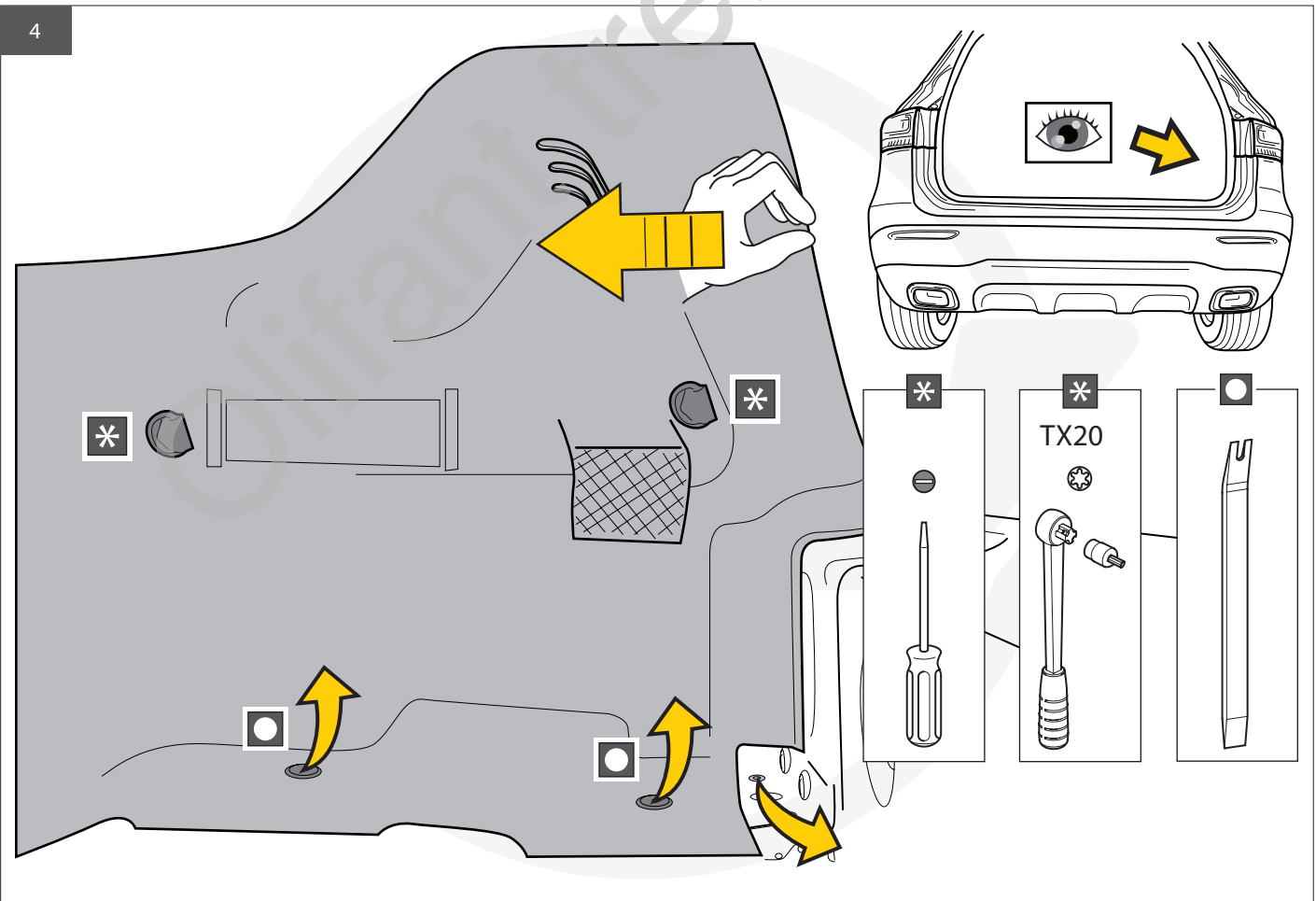




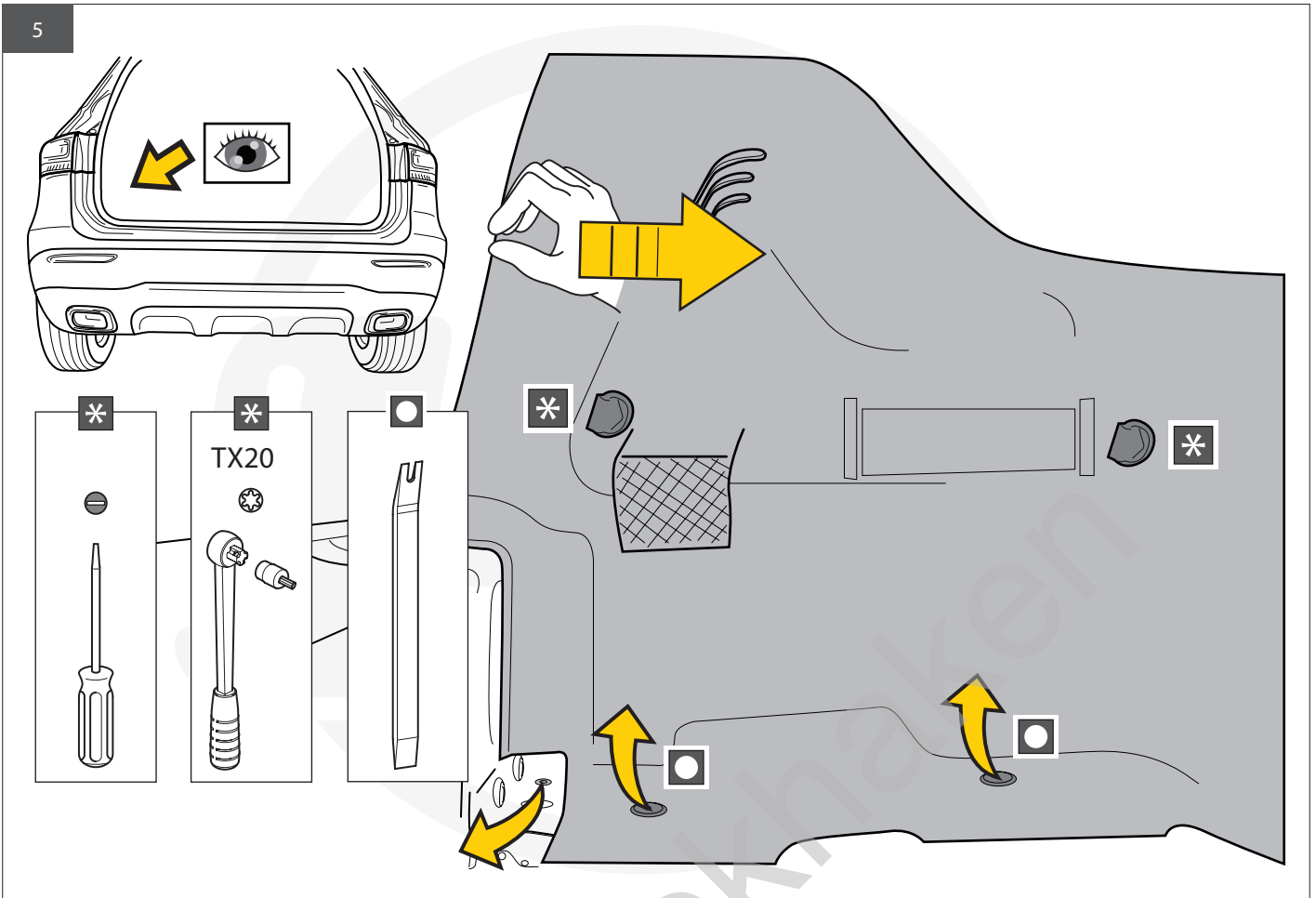
3



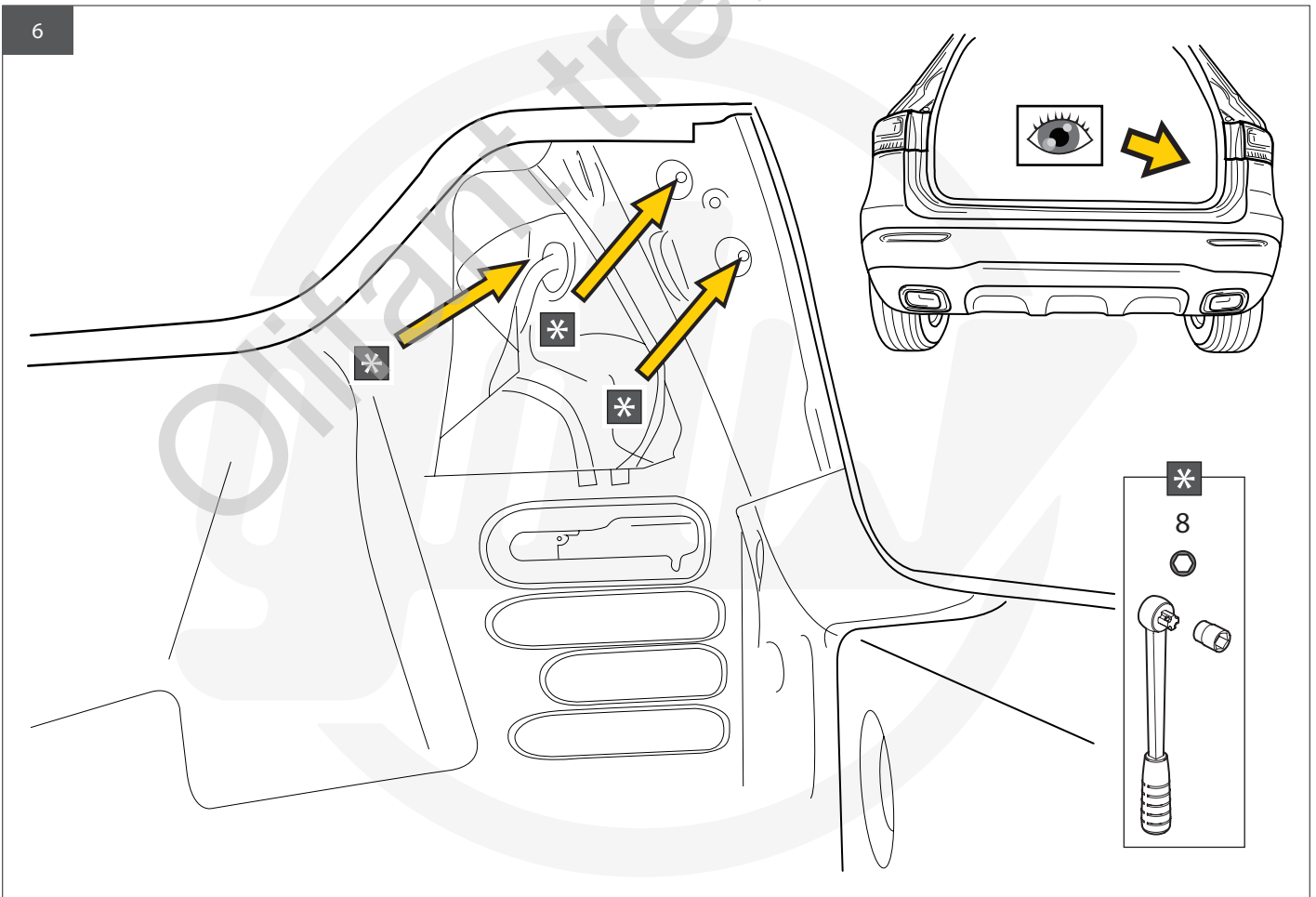
4



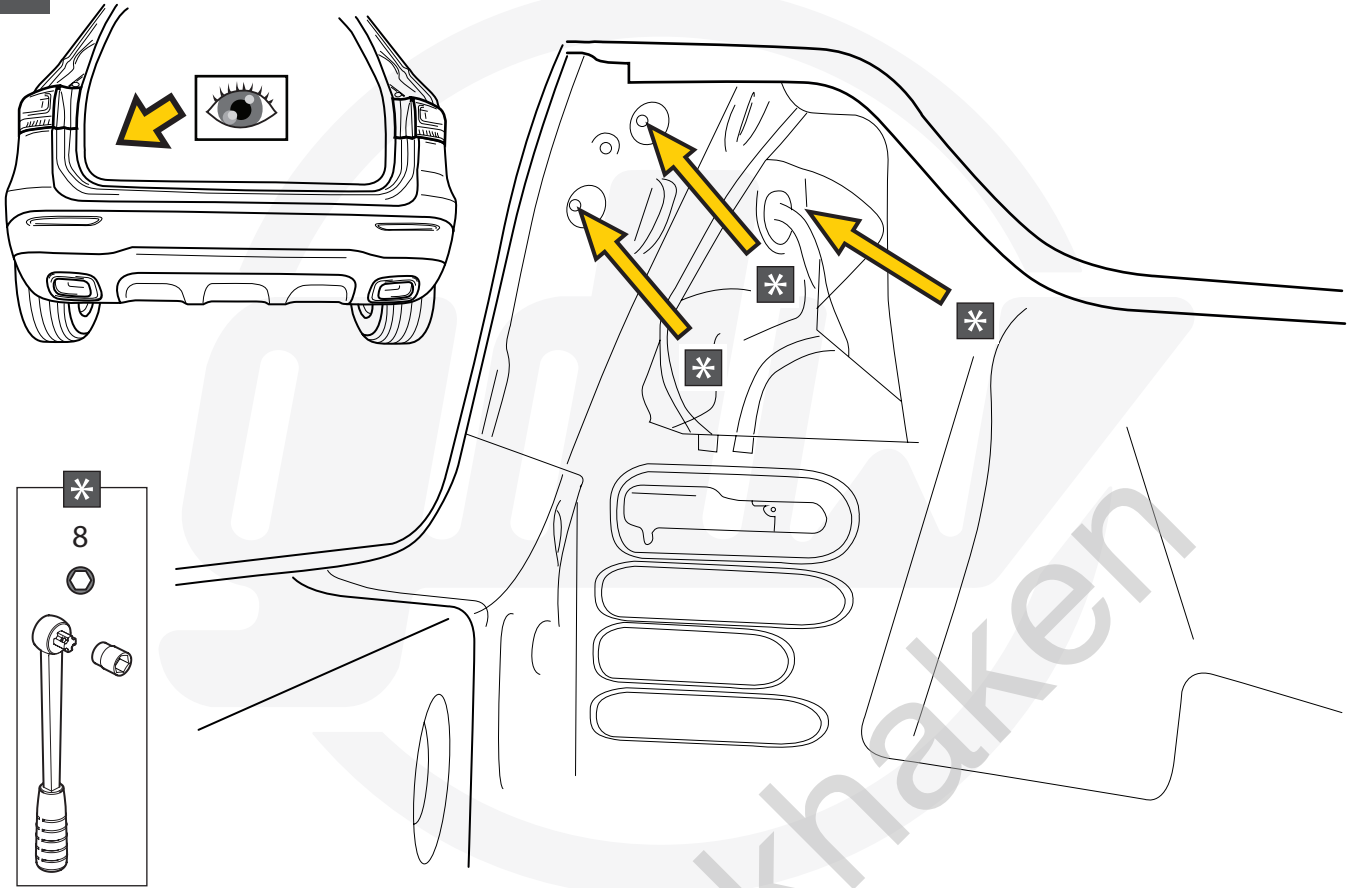
5



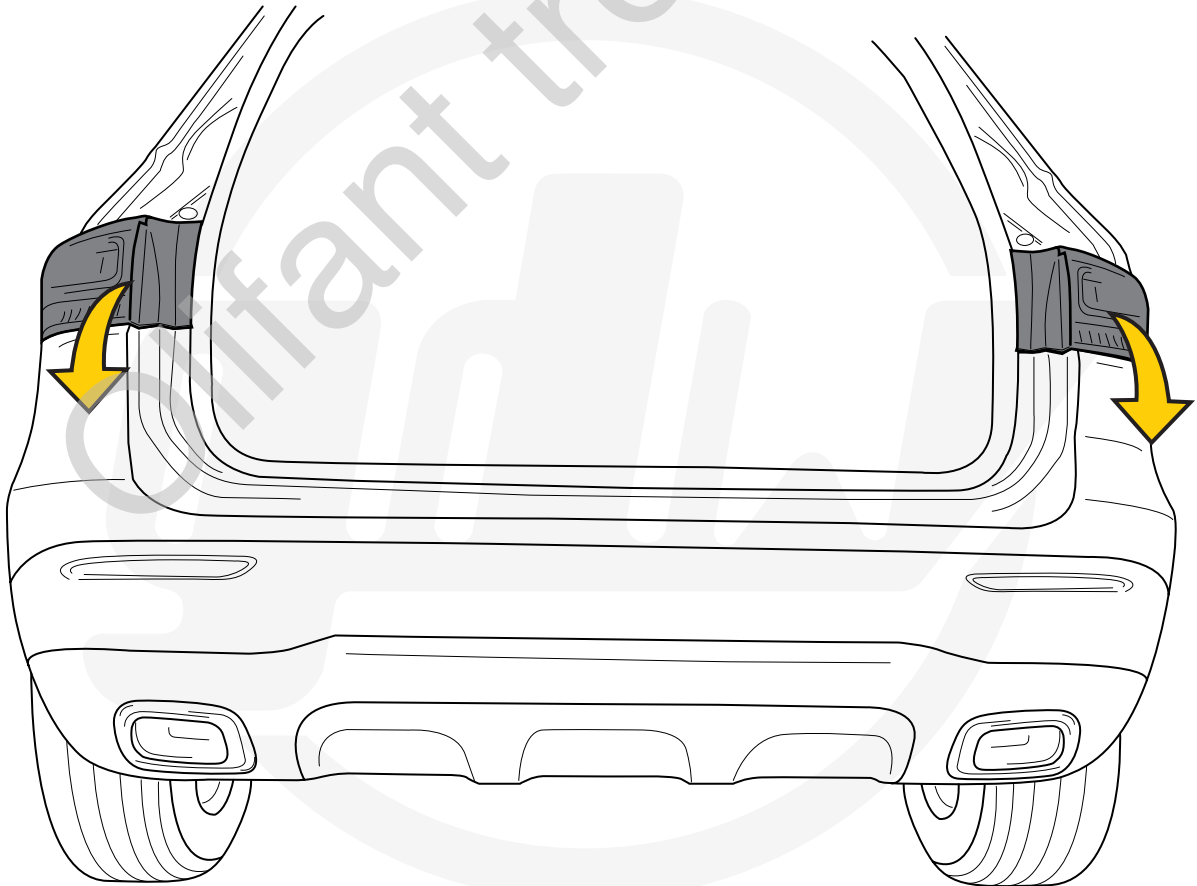
6

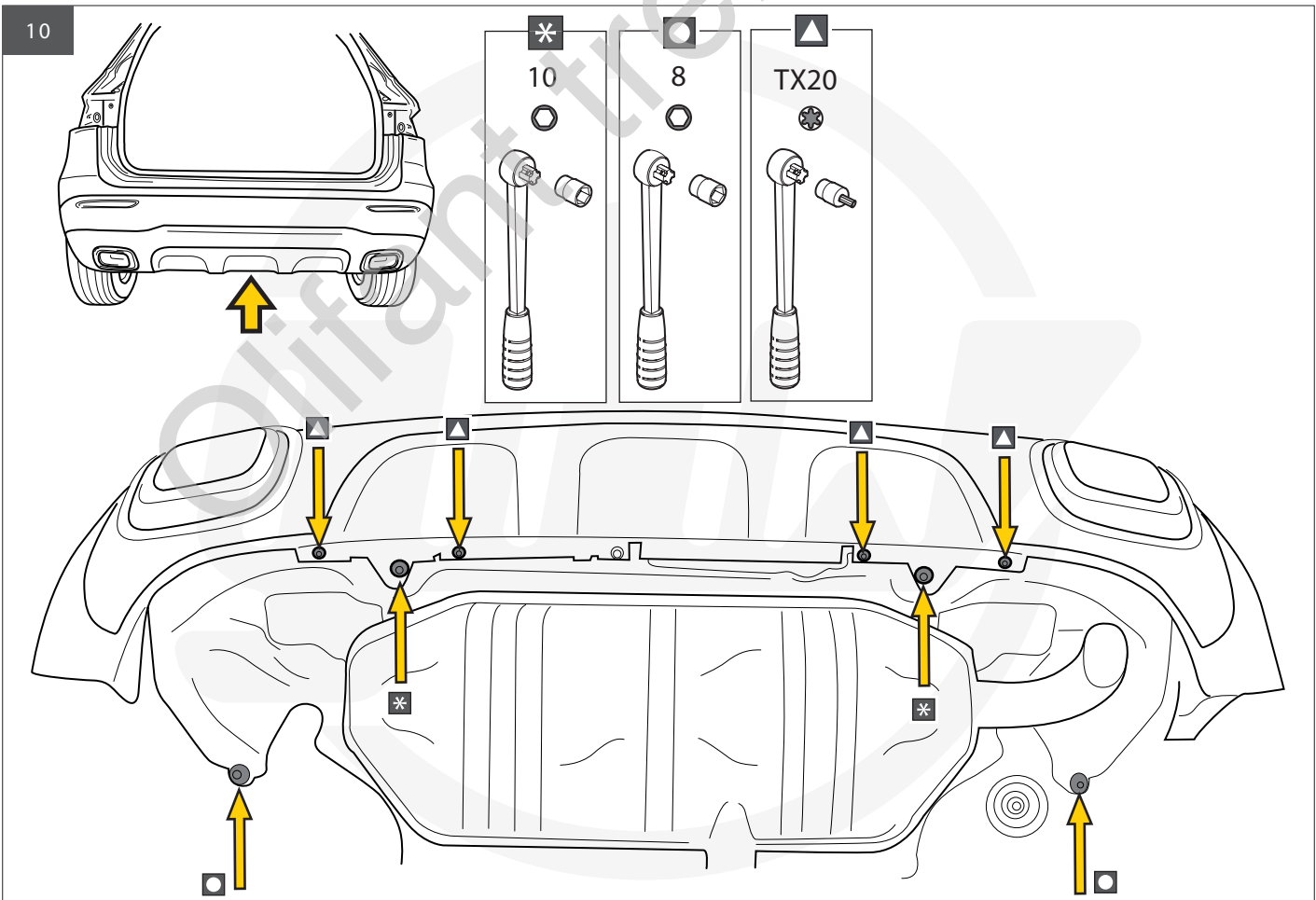
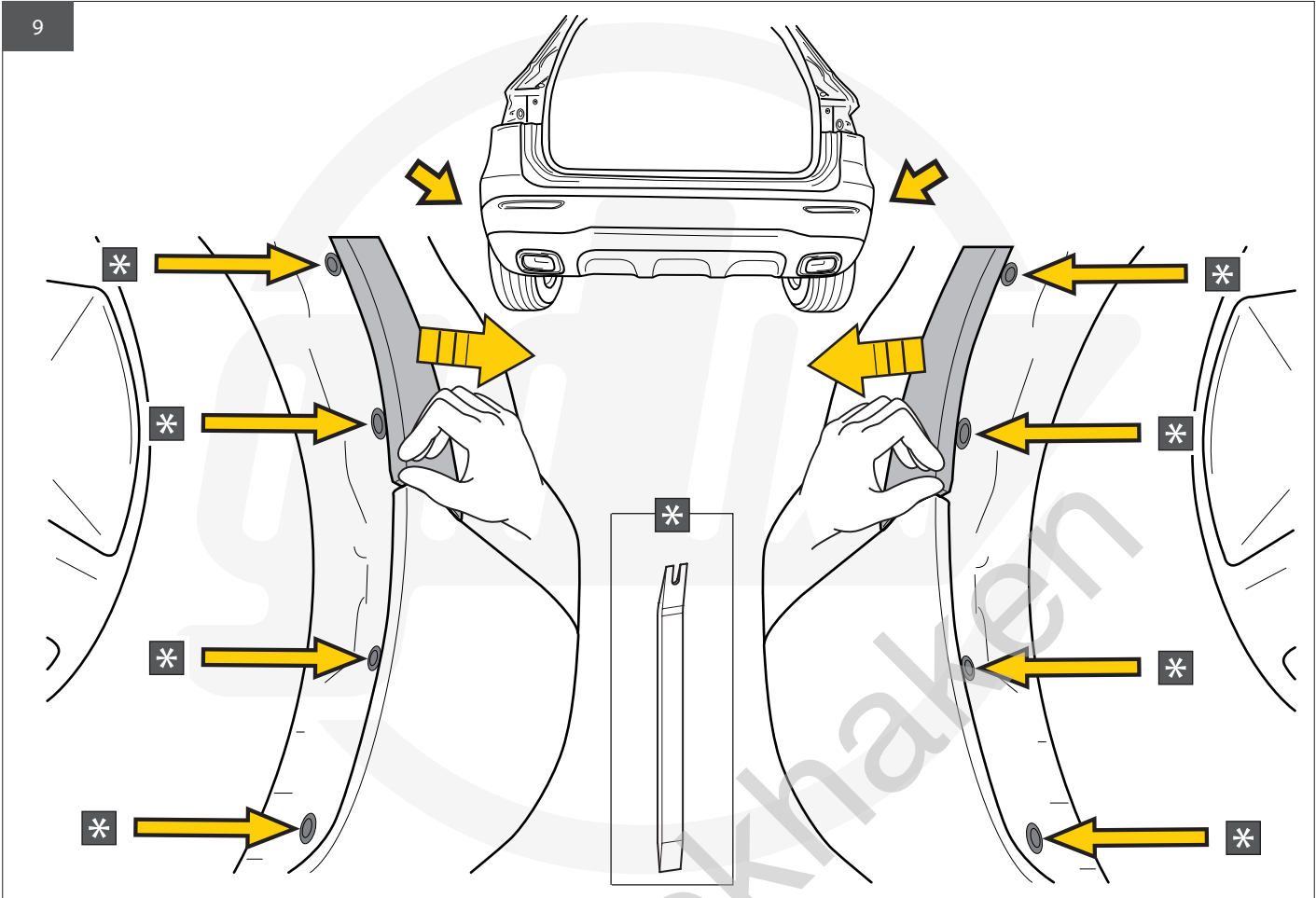


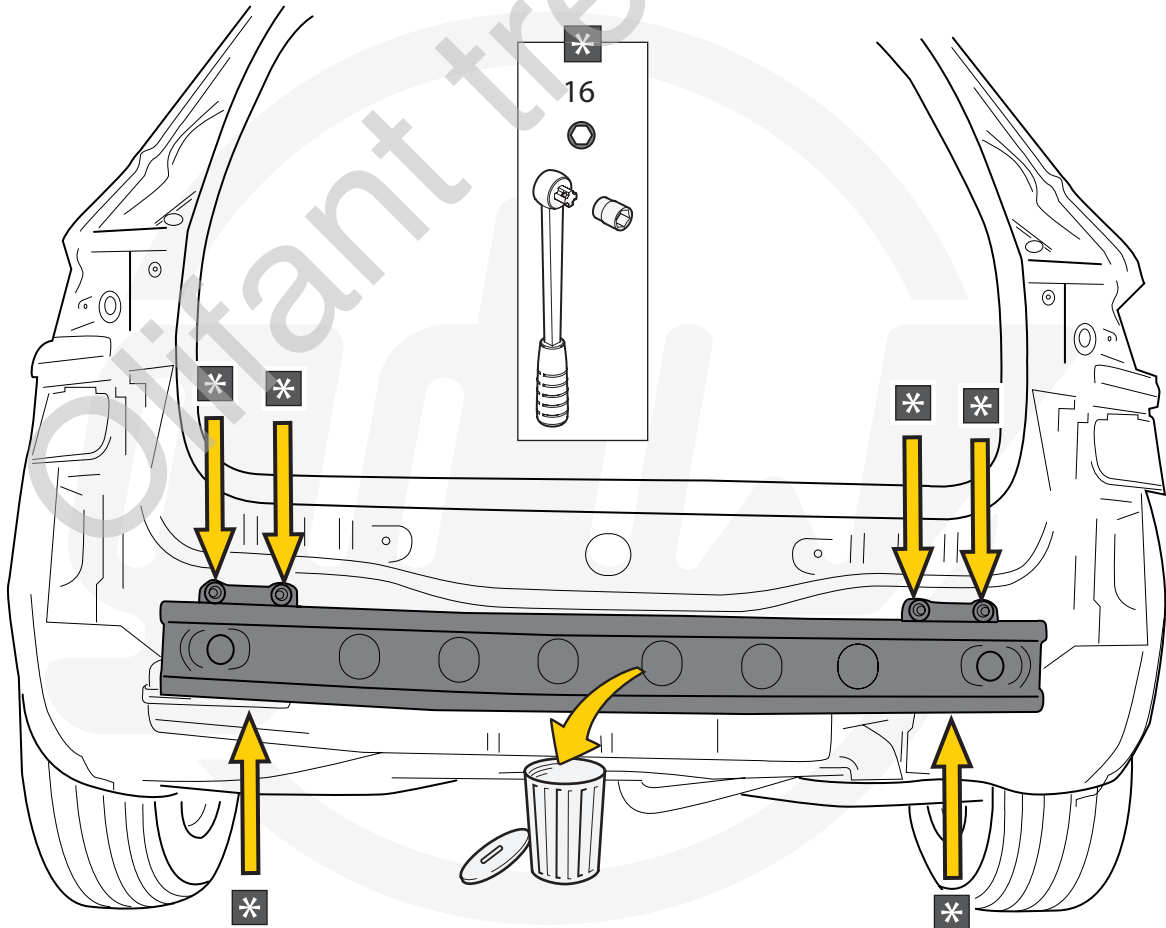
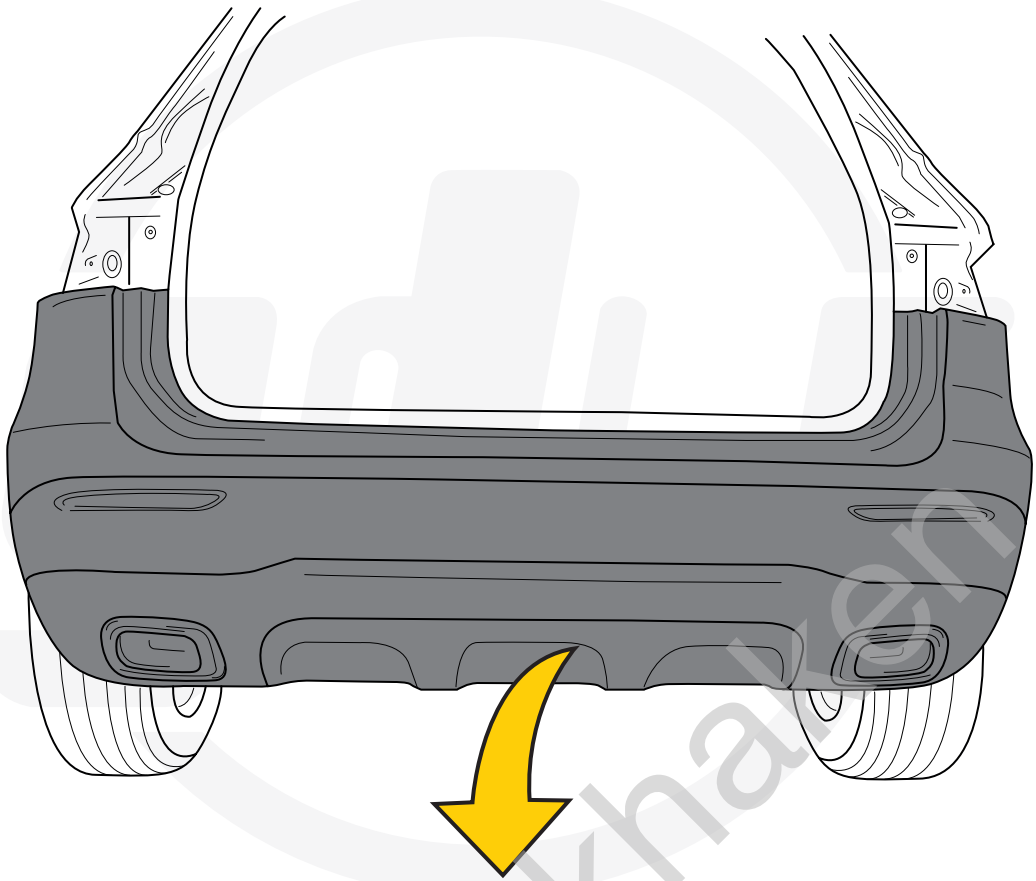
7

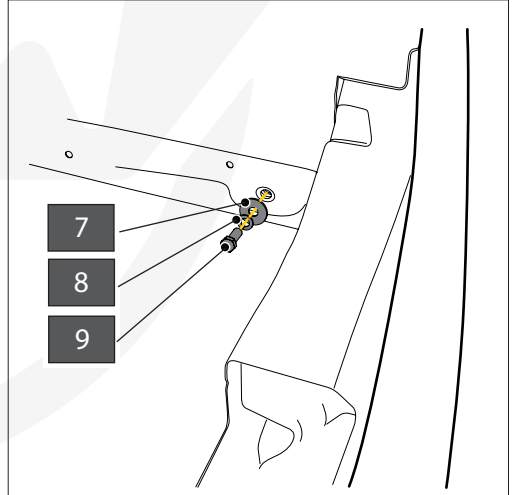
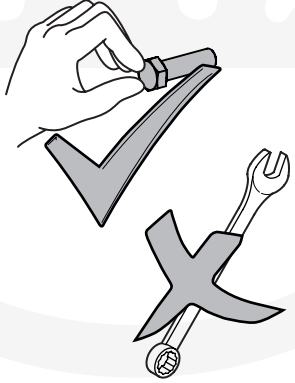
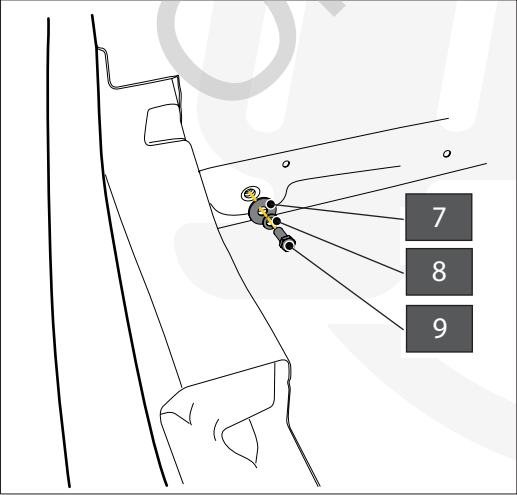
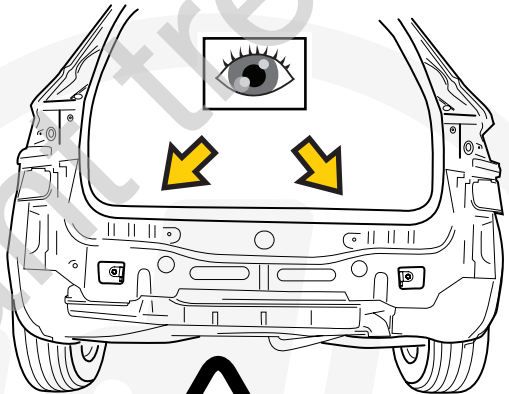
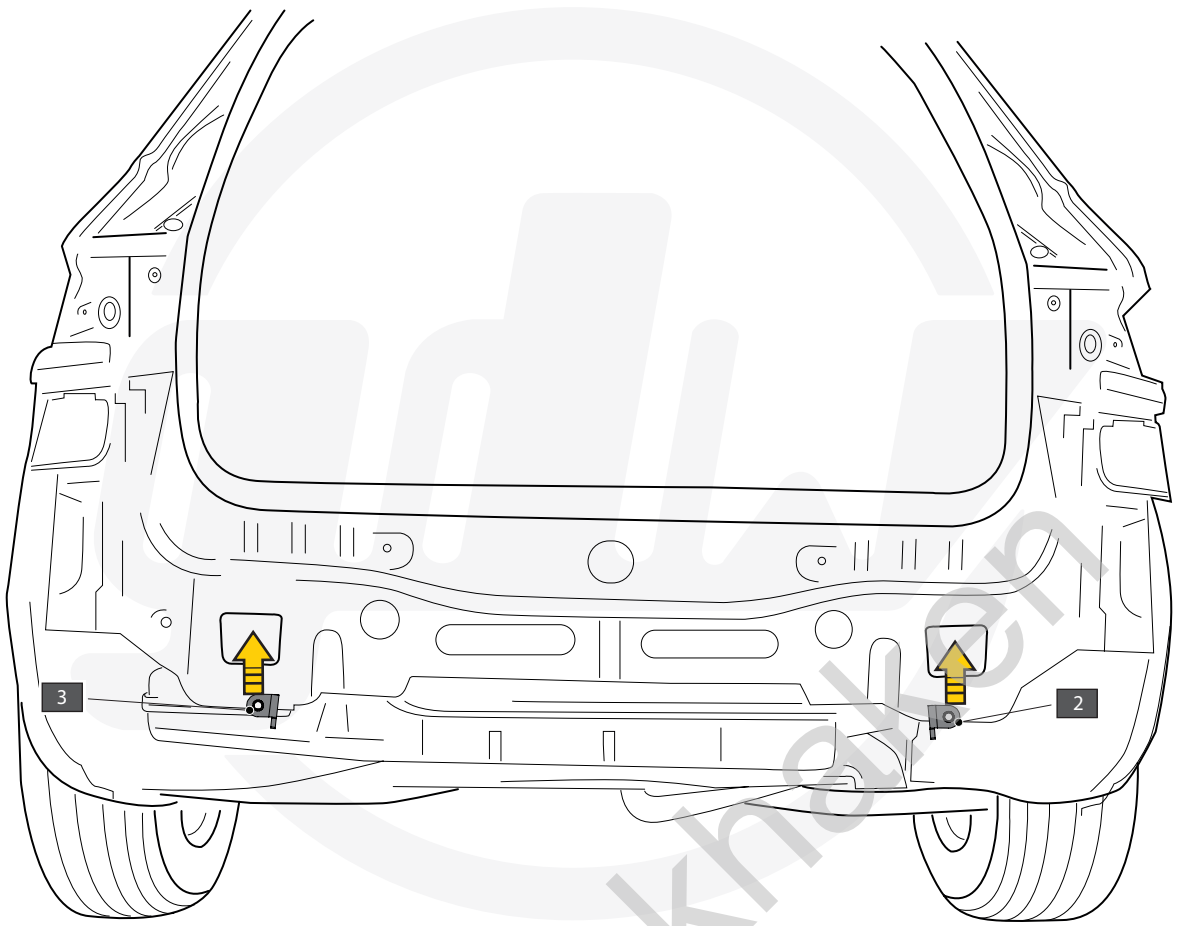


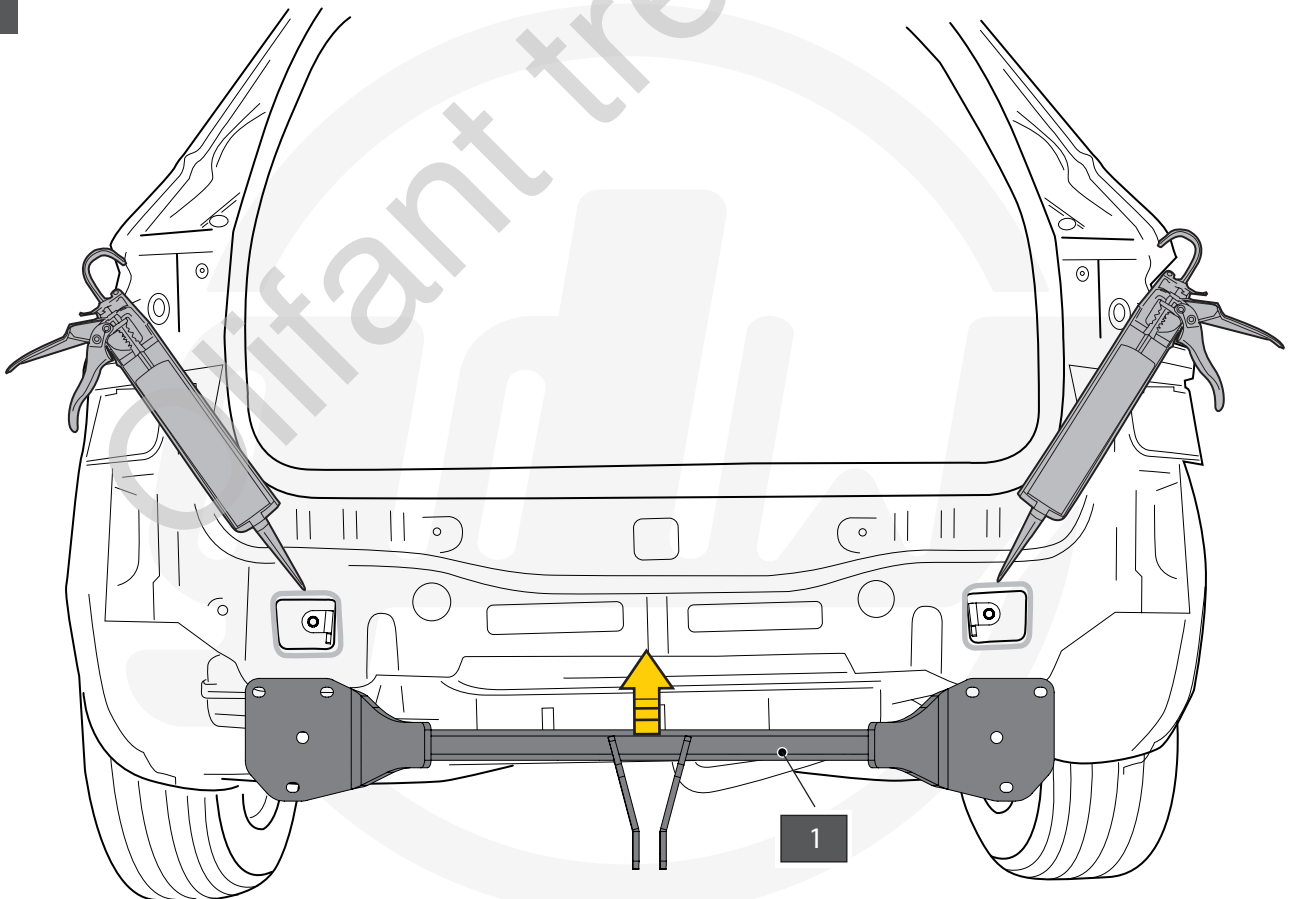
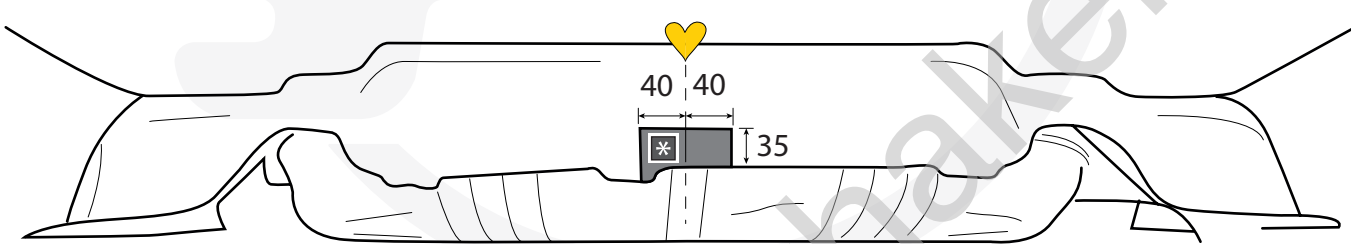
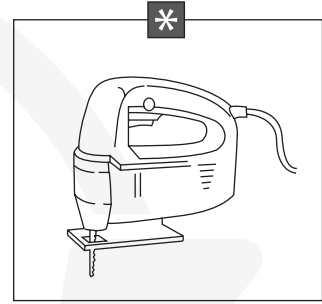
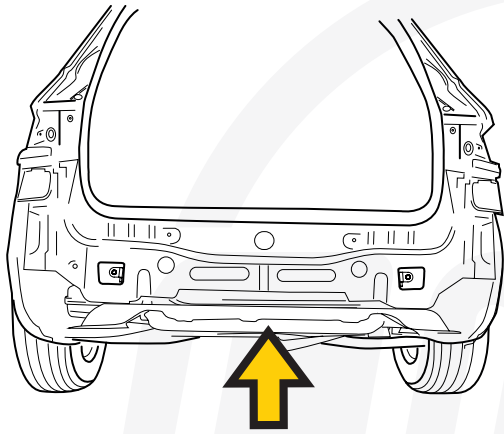
8



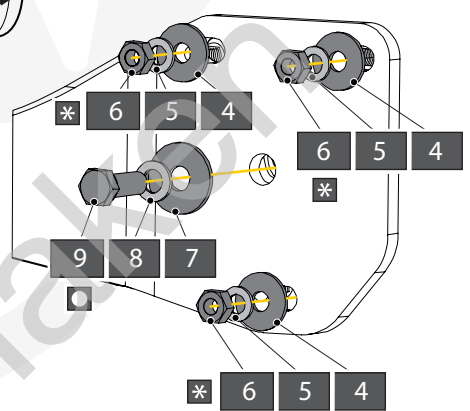
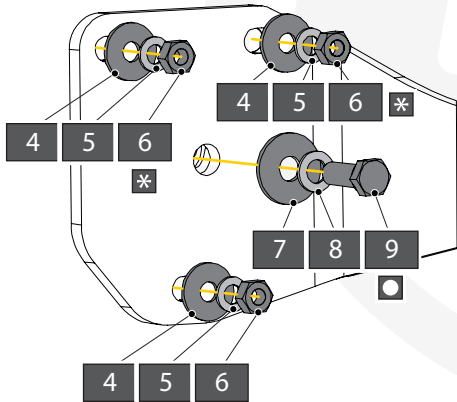
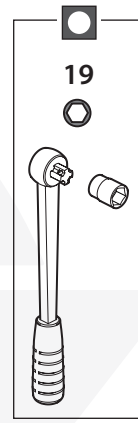
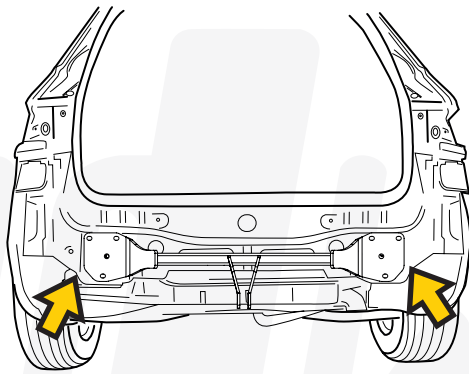
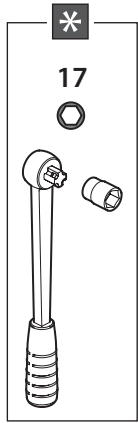




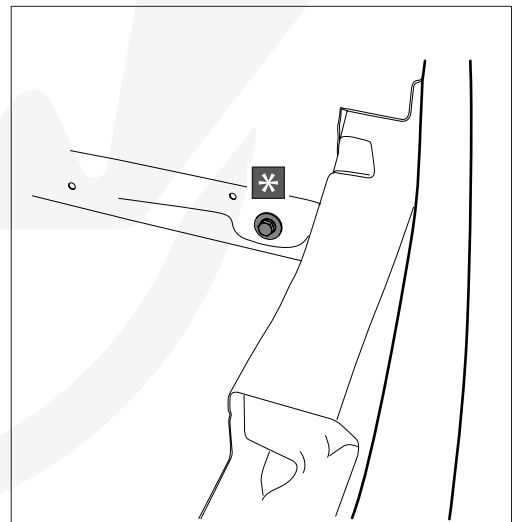
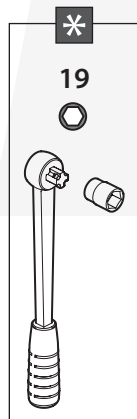
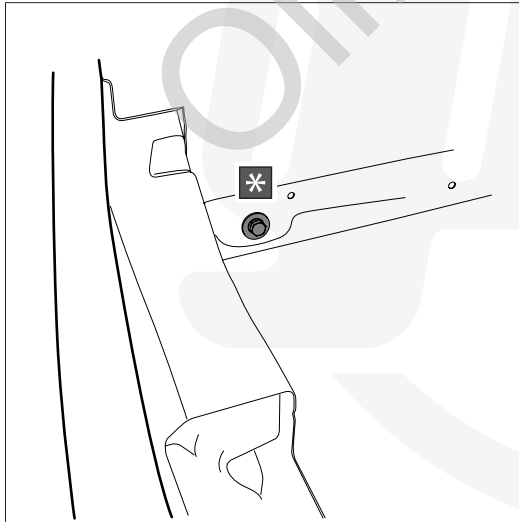
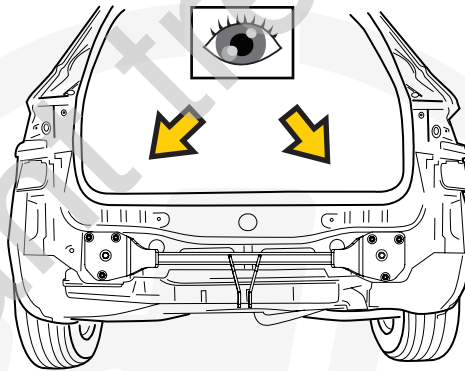


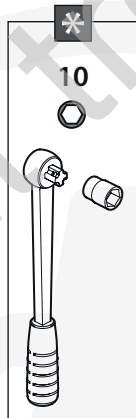
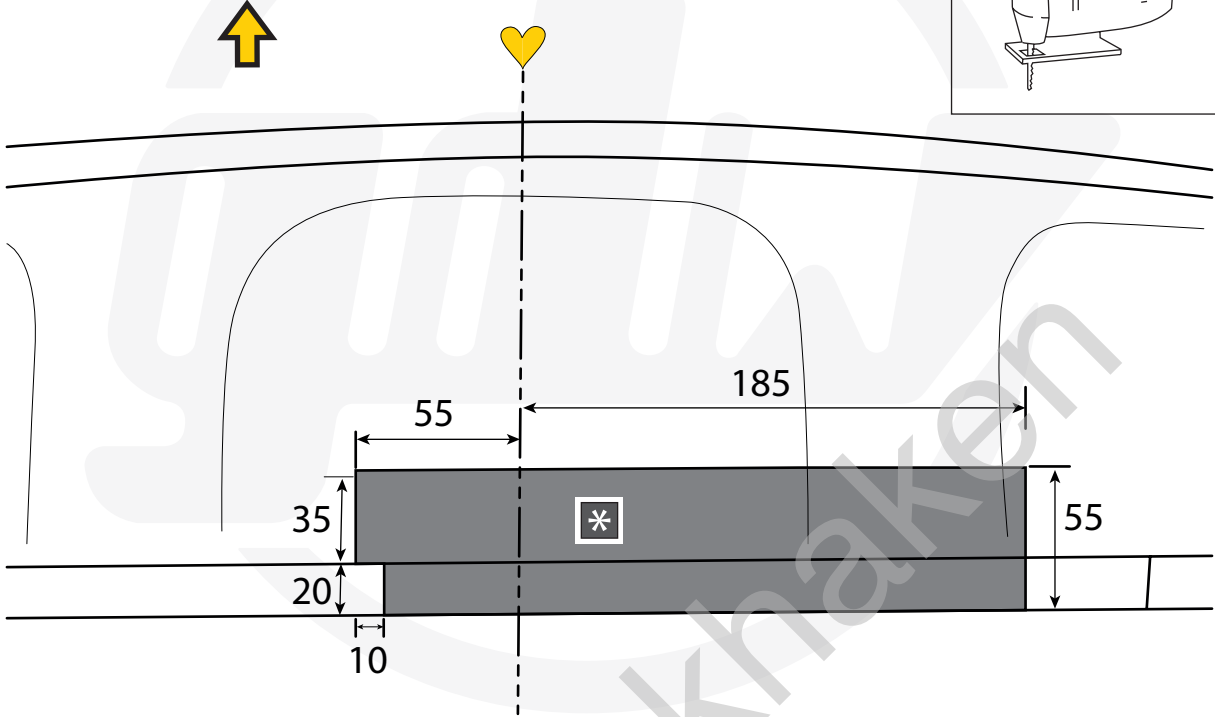
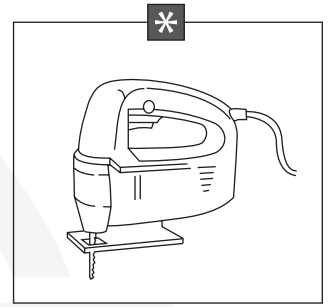
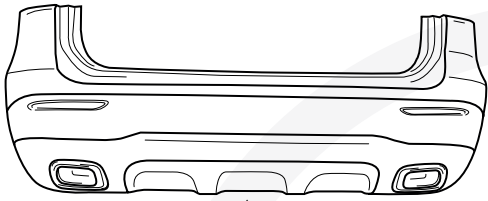


17



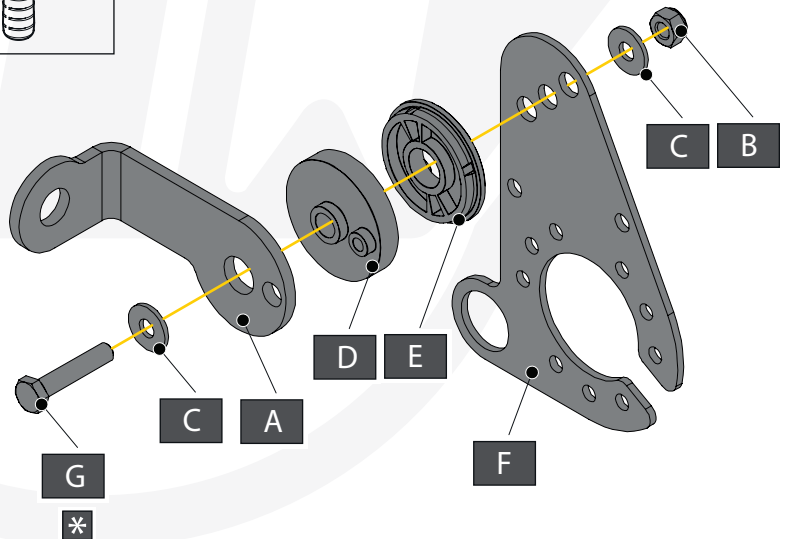
18

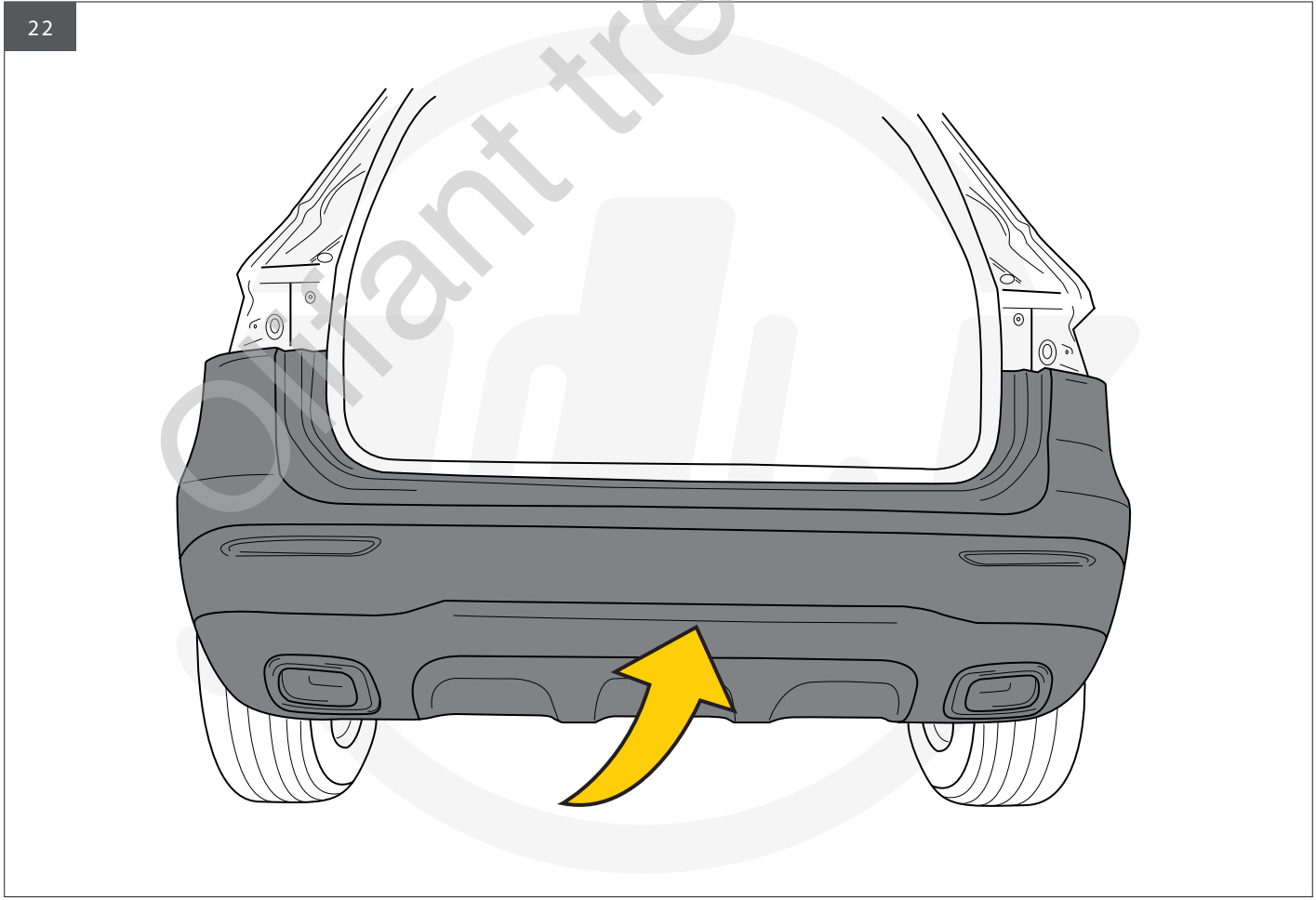
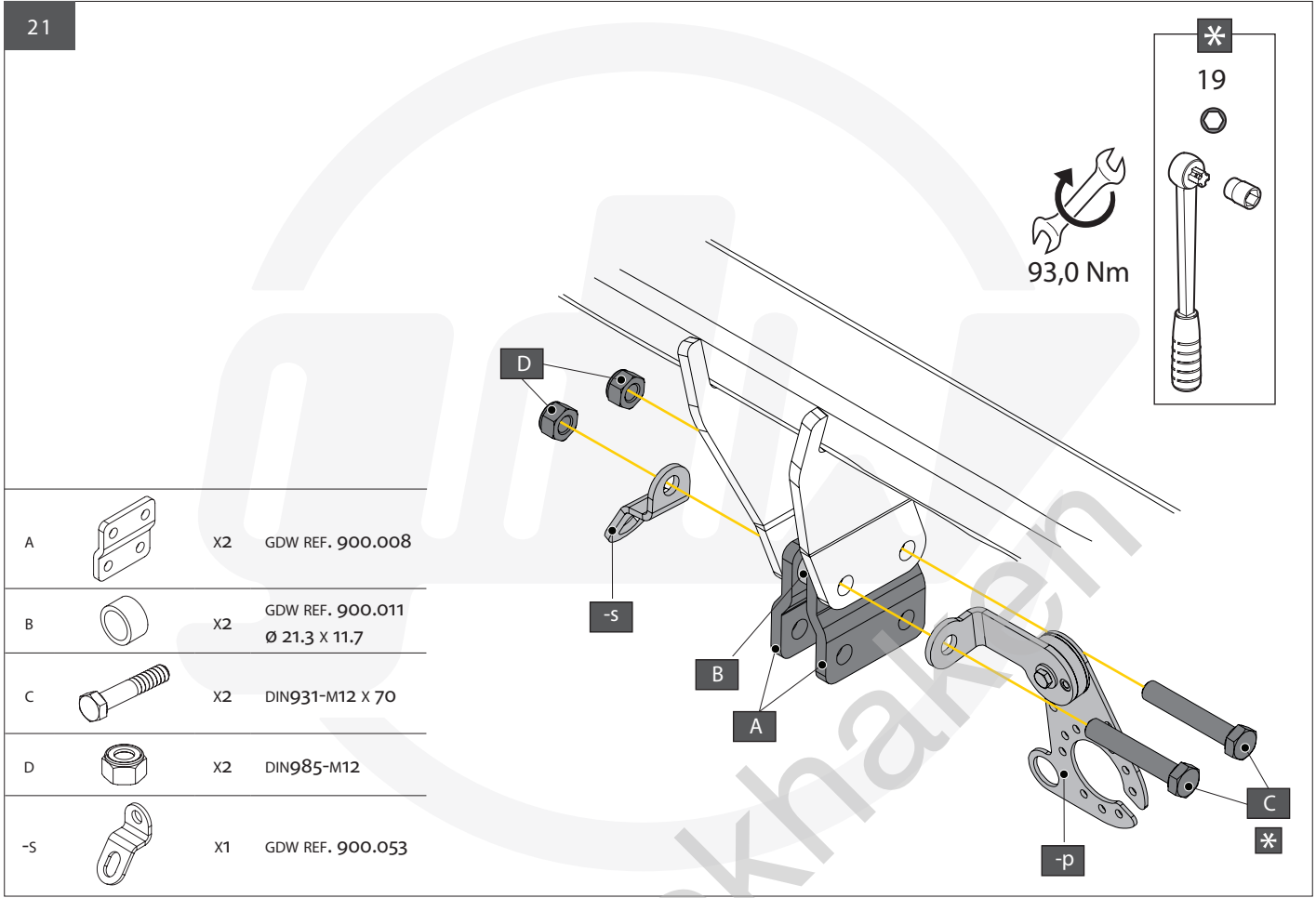


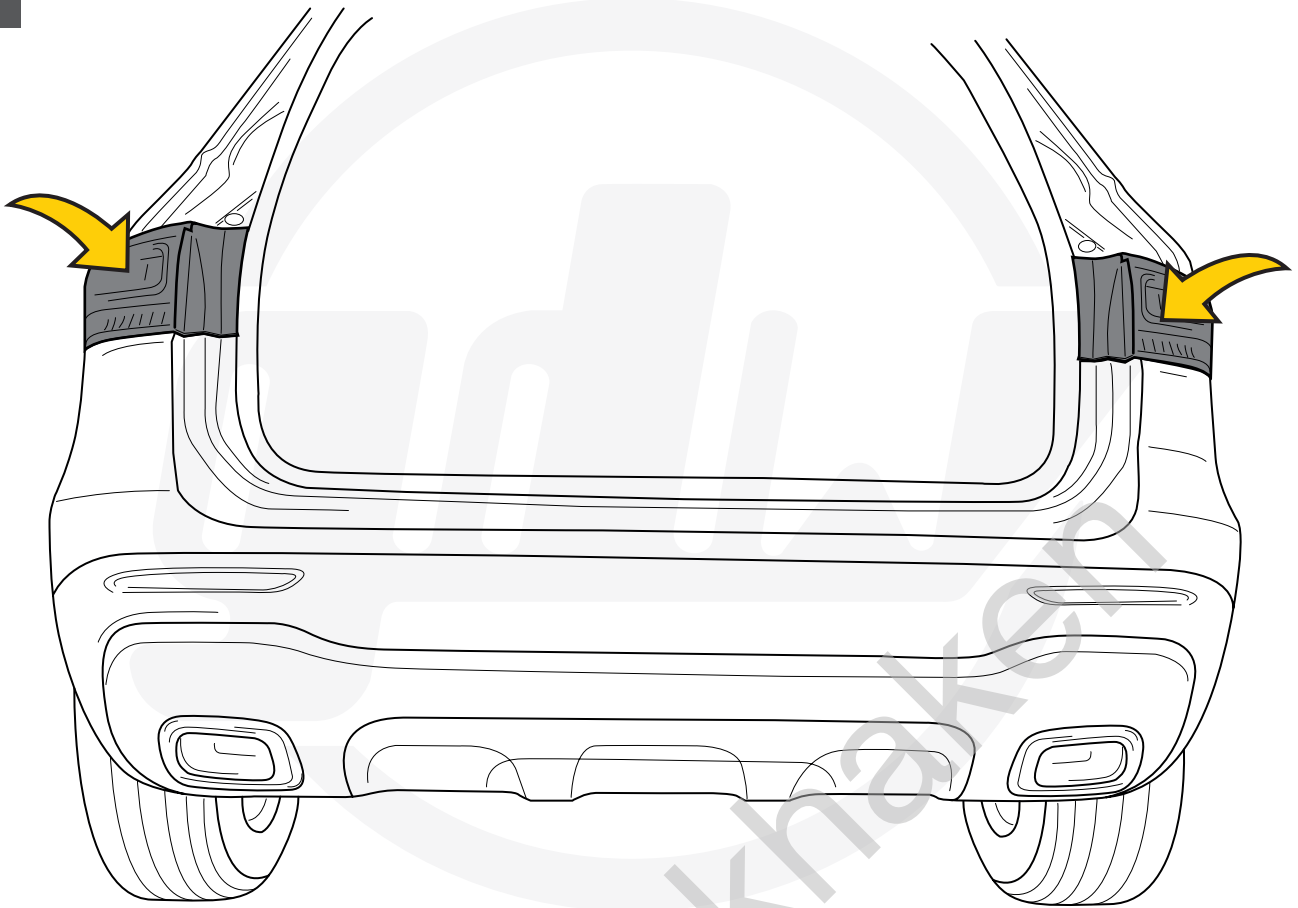


2,0 Nm

A		X1 GDW REF. 908.101
B		X1 DIN985-M6
C		X2 Ø15,4 X 6,2 X 1,6 (NYLON)
D		X1 GDW REF. 718.16.002
E		X1 GDW REF. 718.16.003
F		X1 DIN933-M6 X 30
G		X1 GDW REF. 908.094







93,0 Nm

*
19

A		X1	944.H006
B		X2	DIN931-M12 X 70
C		X2	DIN985-M12

