

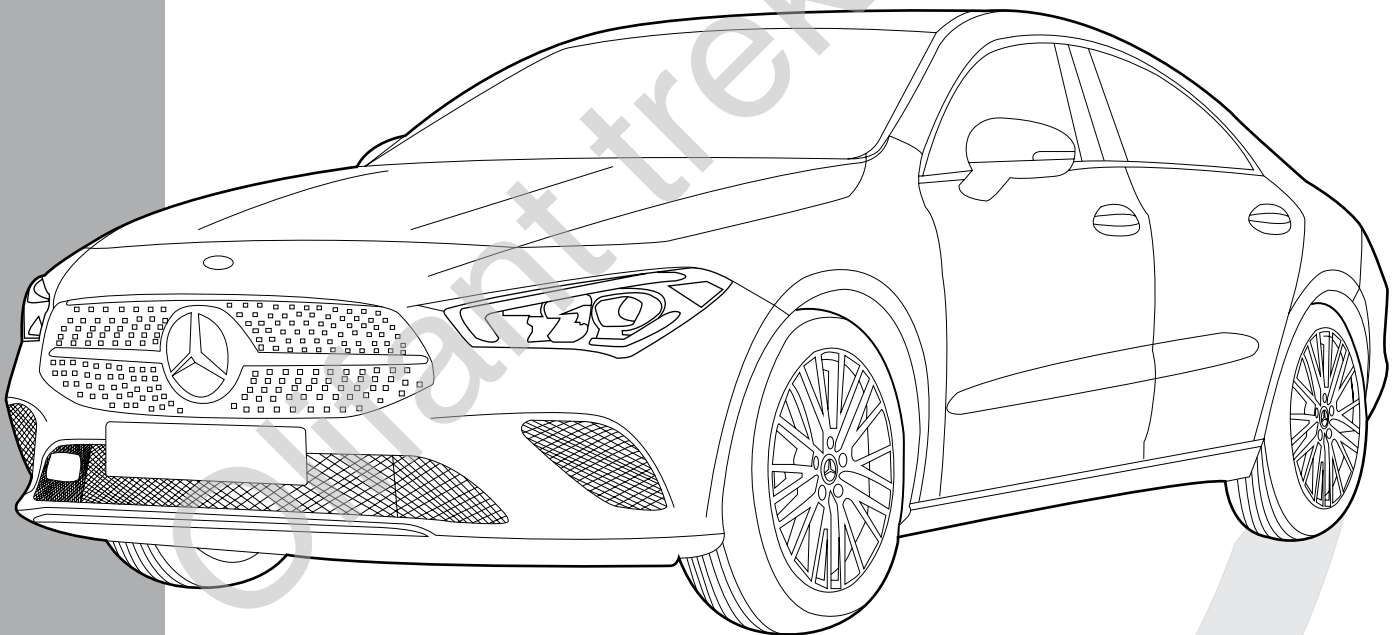


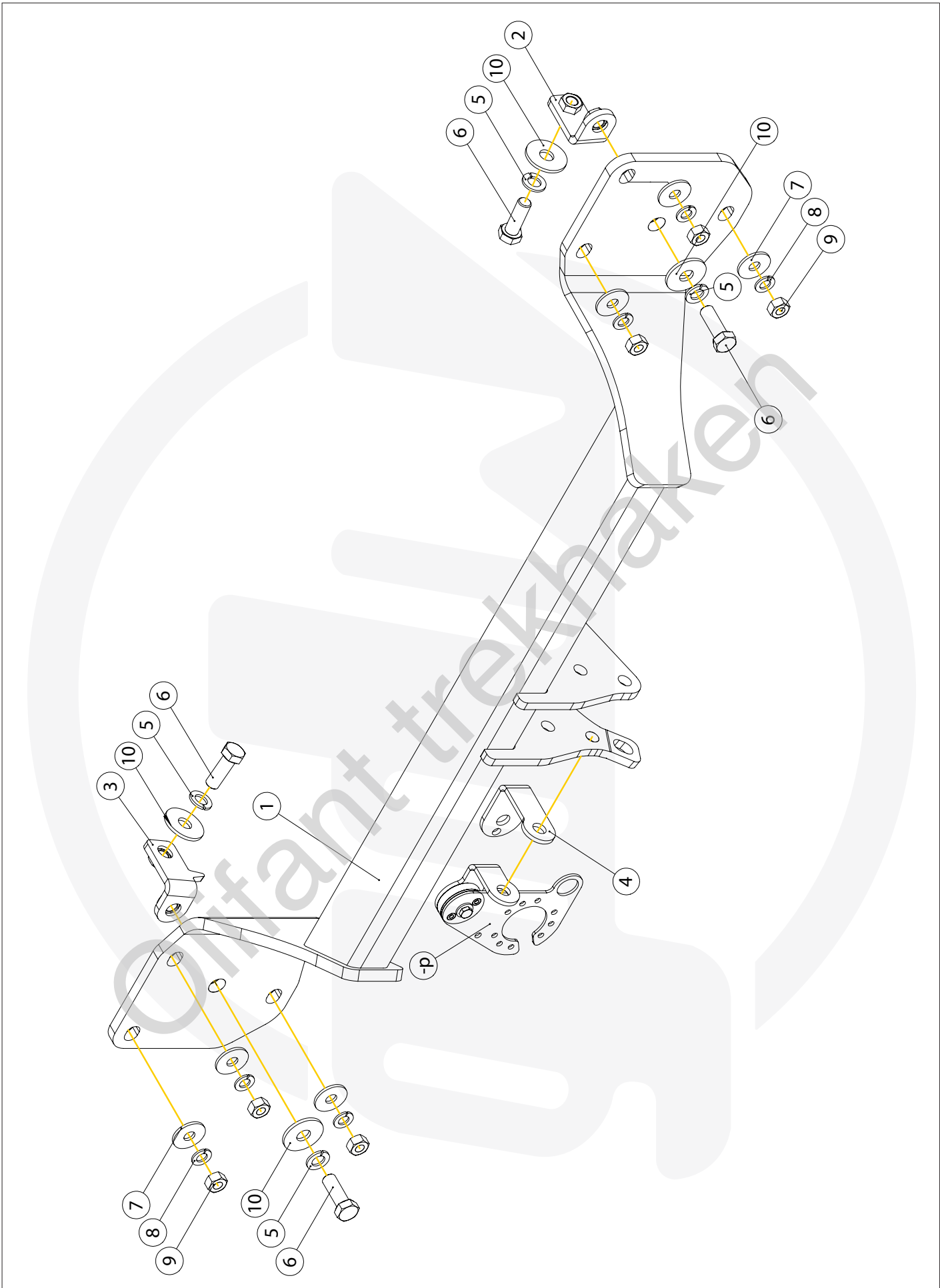
Mercedes CLA (type C118)
03/'19-

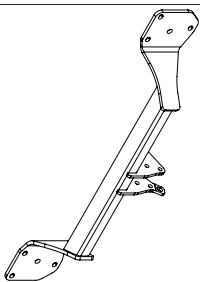
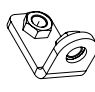
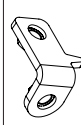
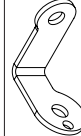





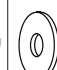

Mercedes CLA AMG-Line (type C118)
03/'19-

Mercedes CLA Shooting Brake (type X118)
06/'19-

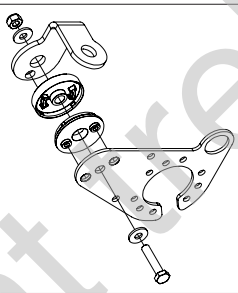


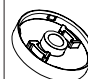

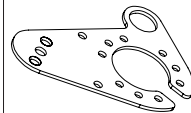

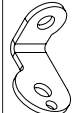
Mercedes CLA Shooting Brake AMG-Line (type X118)
06/'19-

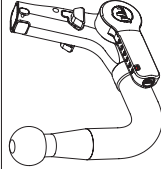

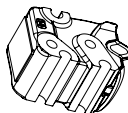


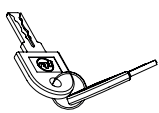
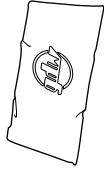



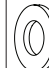
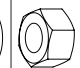




1		X1	GDW REF. 2417T60
2		X1	GDW REF. 2
3		X1	GDW REF. 3
4		X1	GDW REF. 4
5		X4	DIN128A-M12
6		X4	DIN933-M12 X 35
7		X6	DIN9021-M10-ELVZ
8		X6	DIN128A-M10
9		X6	DIN934-M10
10		X4	DIN9021-M12-ELVZ
-V		X1	GDW REF. 908.095

>> ONLY FOR AMG-LINE

-P		X1	GDW REF. P39
┆		X1	DIN985-M6
┆		X2	6,2 X 15,4 X 1,6 (NYLON)
┆		X1	GDW REF. 718.16.002
┆		X1	GDW REF. 718.16.003
┆		X1	GDW REF. 908.094
┆		X1	DIN933-M6 X 30
┆		X1	GDW REF. 908.095

Geleverd met - Livré avec - Delivered with Geliefert mit - Elementos adjuntos-Leveres med		X1	GDW REF. 960.V0808	
	┆		X1	GDW REF. 740.200
		X1	GDW REF. 912.003	
	┆		X1	GDW REF. 740.112
	┆		X1	GDW REF. 740.111
		X1	GDW REF. 740.114	
		X1	GDW REF. 718.15.001	
		X1	GDW REF. SYST60-10	
	┆		X3	DIN931-M12X110-8.8
┆		X3	DIN128A-M12	
┆		X6	DIN125A-M12	
┆		X3	DIN934-M12	

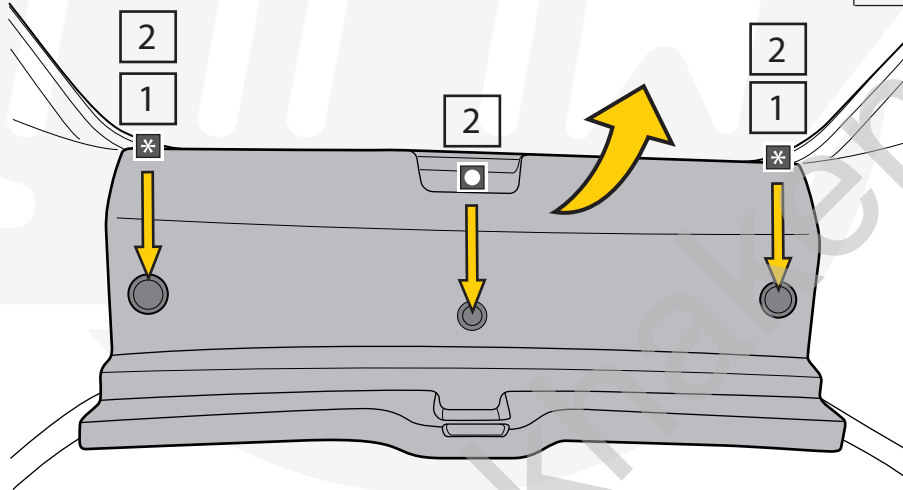
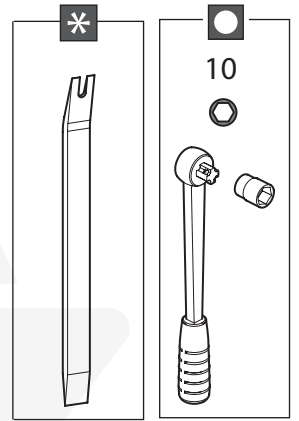
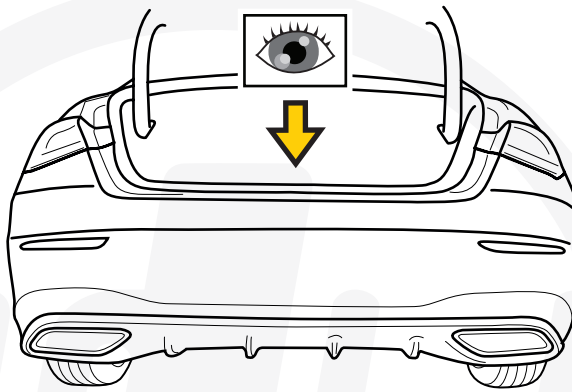
1

1

CLA Coupé +
CLA Coupé AMG-Line

2

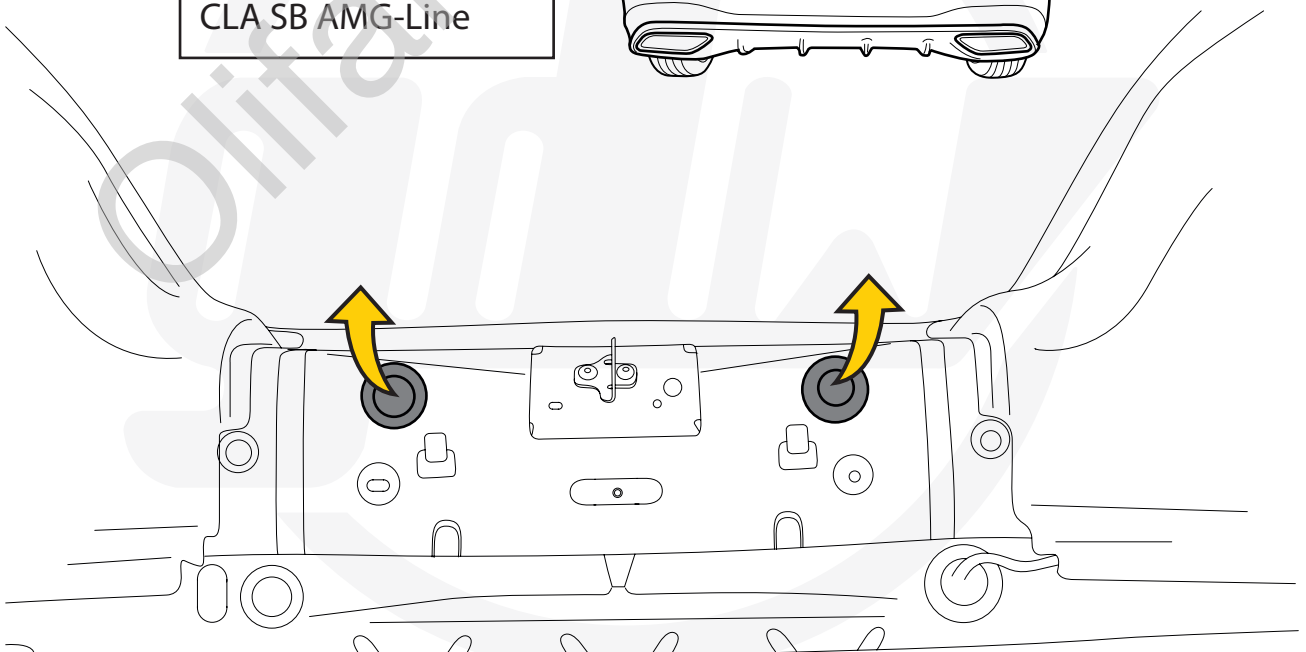
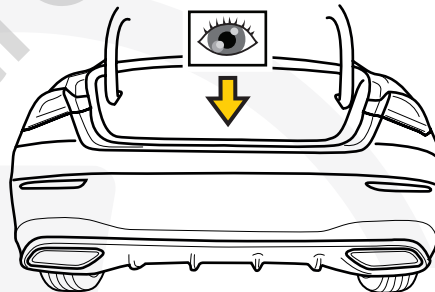
CLA Shooting Brake +
CLA SB AMG-Line



2

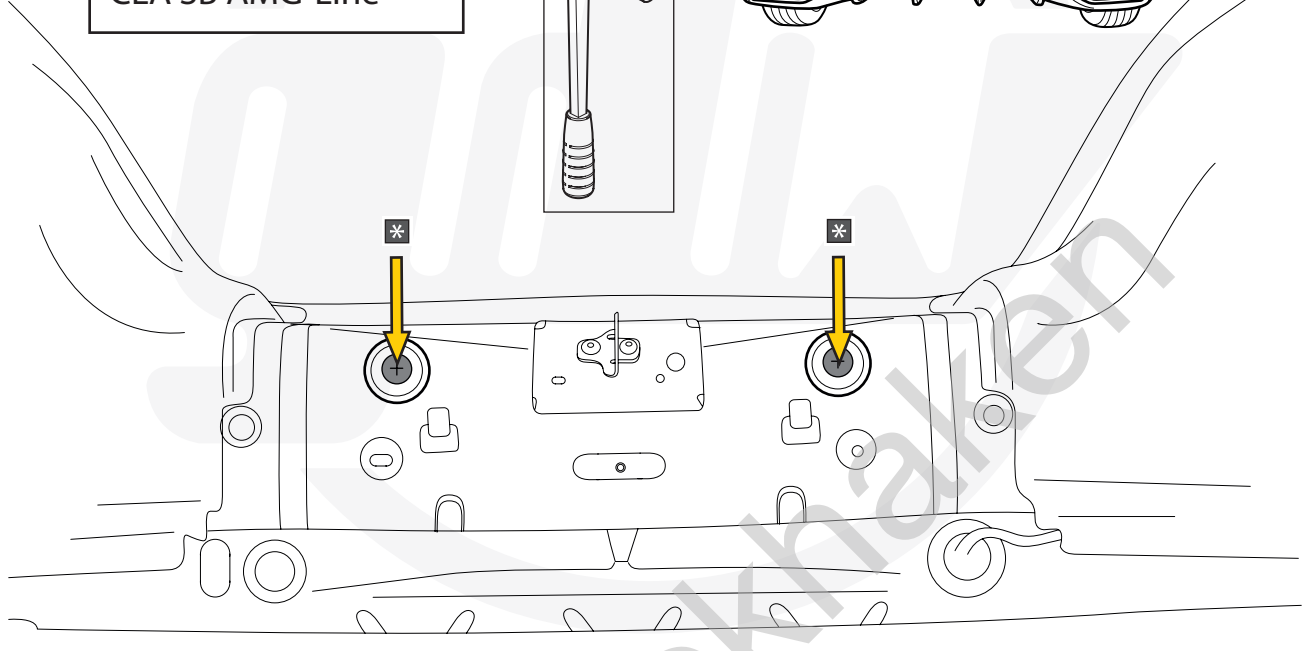
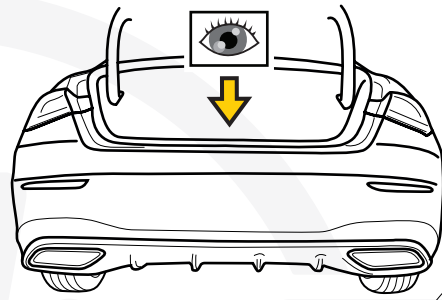
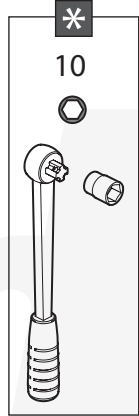
CLA Coupé +
CLA Coupé AMG-Line

CLA Shooting Brake +
CLA SB AMG-Line

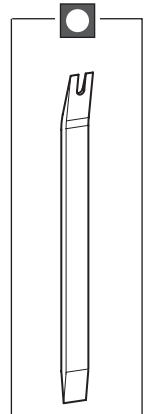
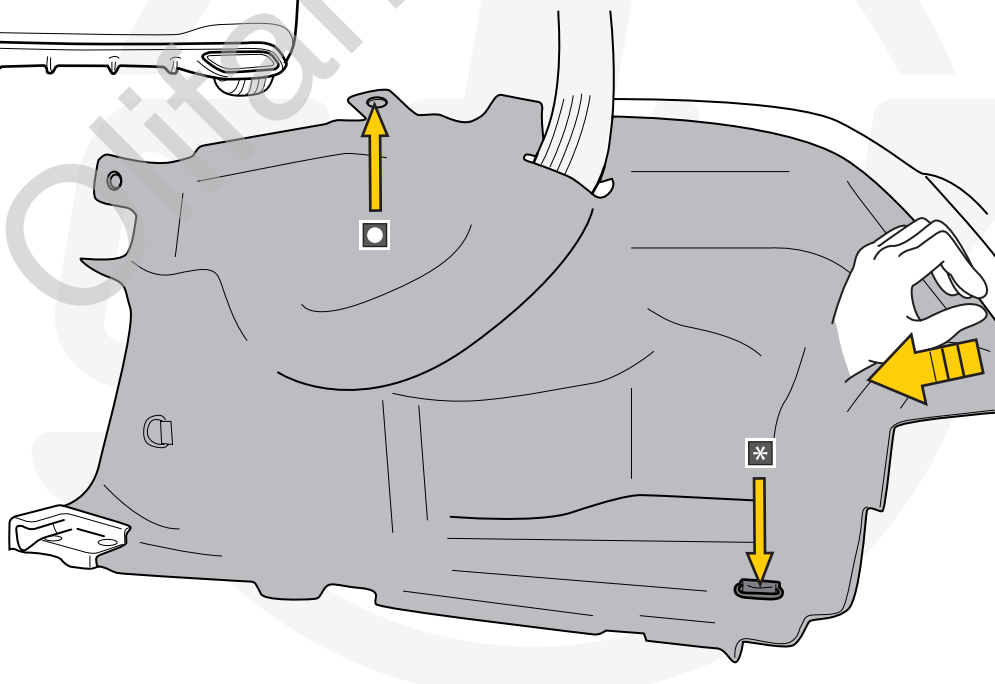
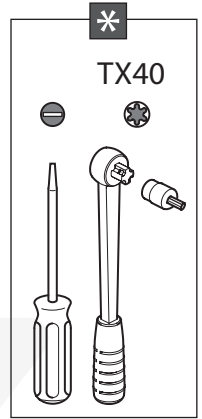
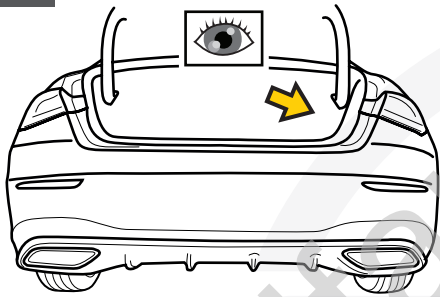


CLA Coupé +
CLA Coupé AMG-Line

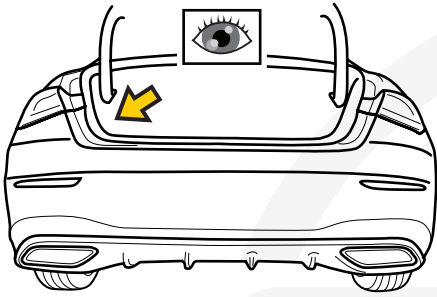
CLA Shooting Brake +
CLA SB AMG-Line



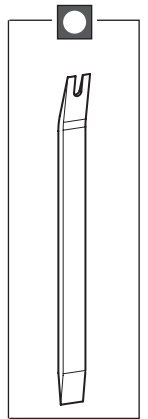
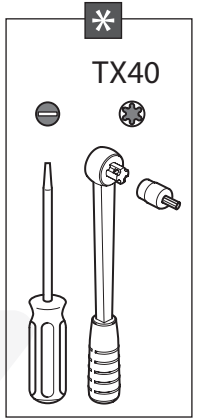
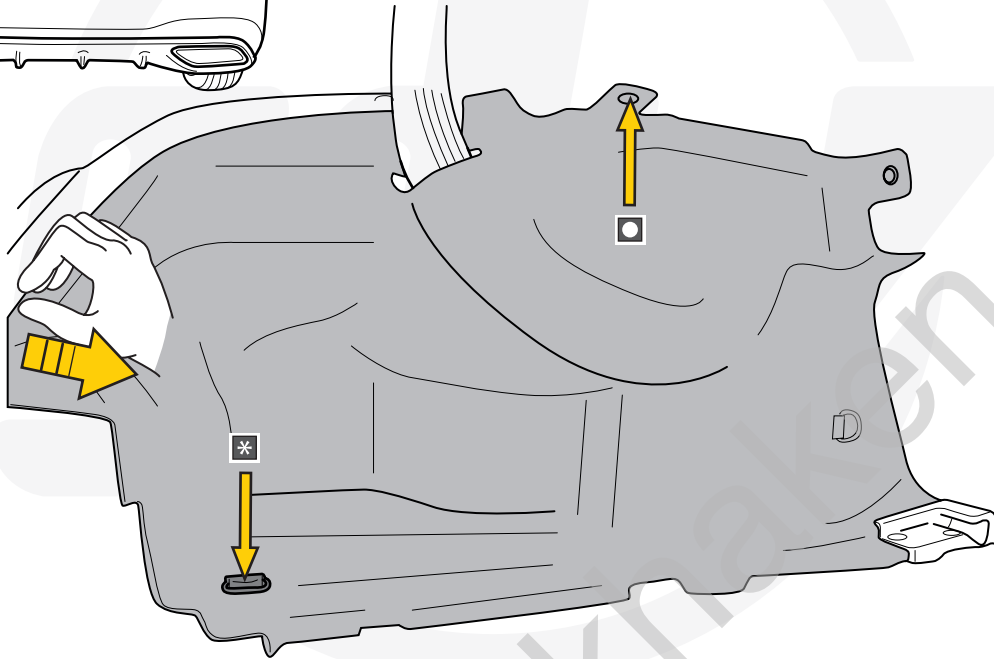
CLA Coupé +
CLA Coupé AMG-Line



5

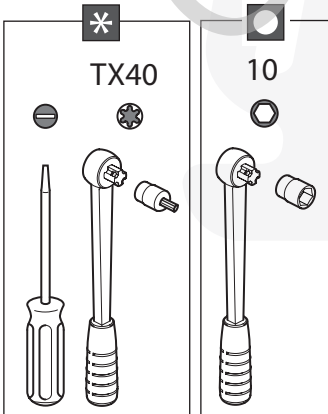
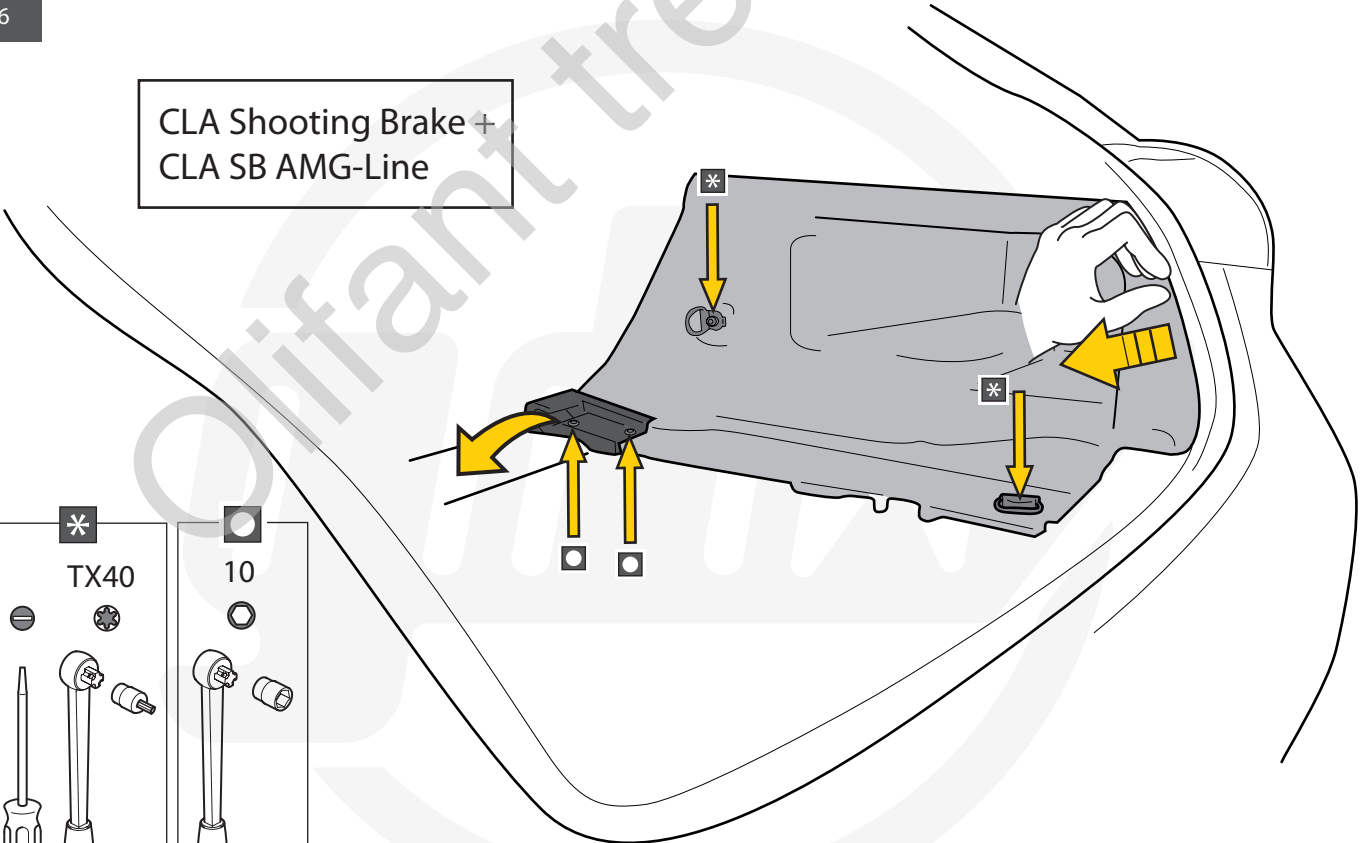


CLA Coupé +
CLA Coupé AMG-Line



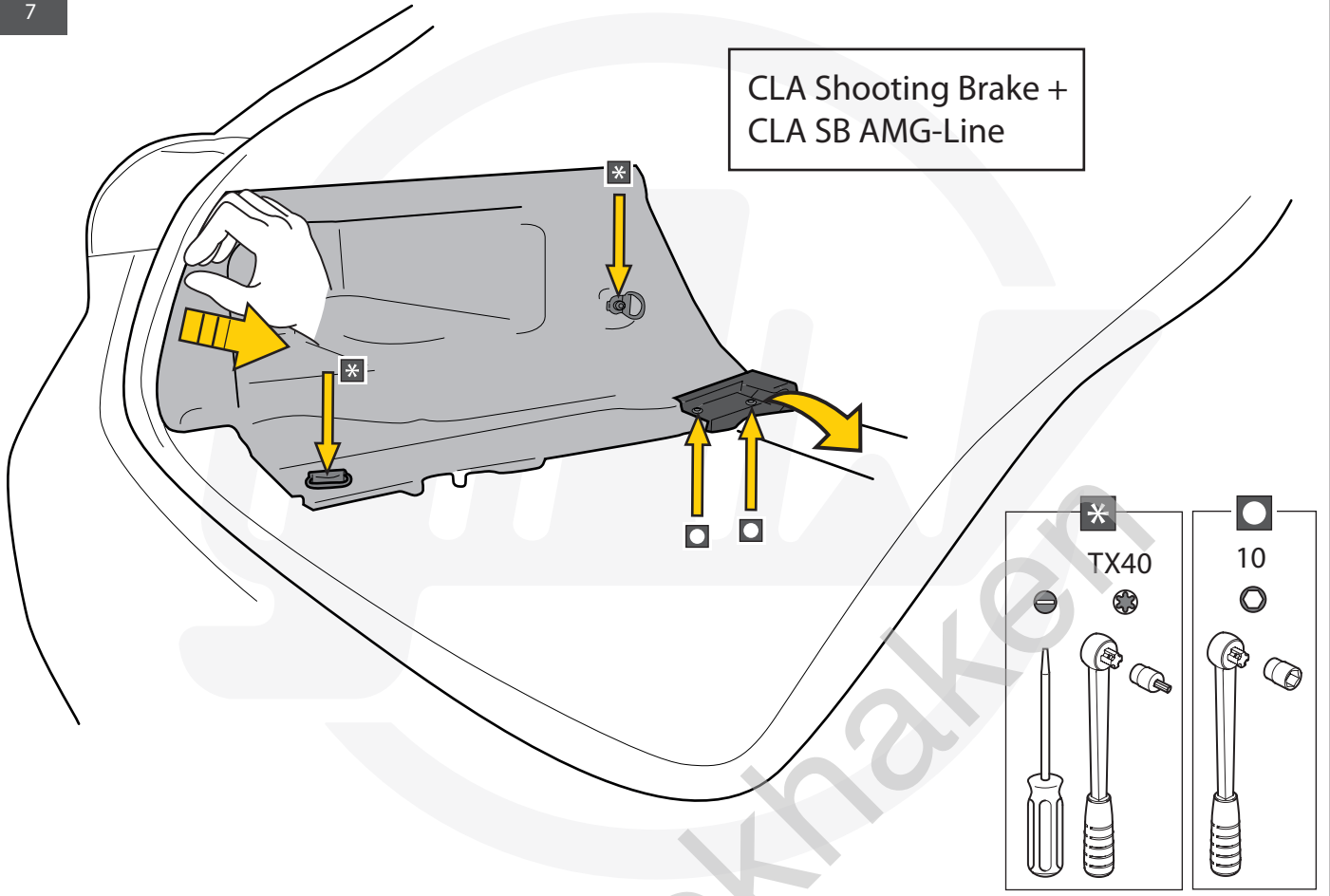
6

CLA Shooting Brake +
CLA SB AMG-Line



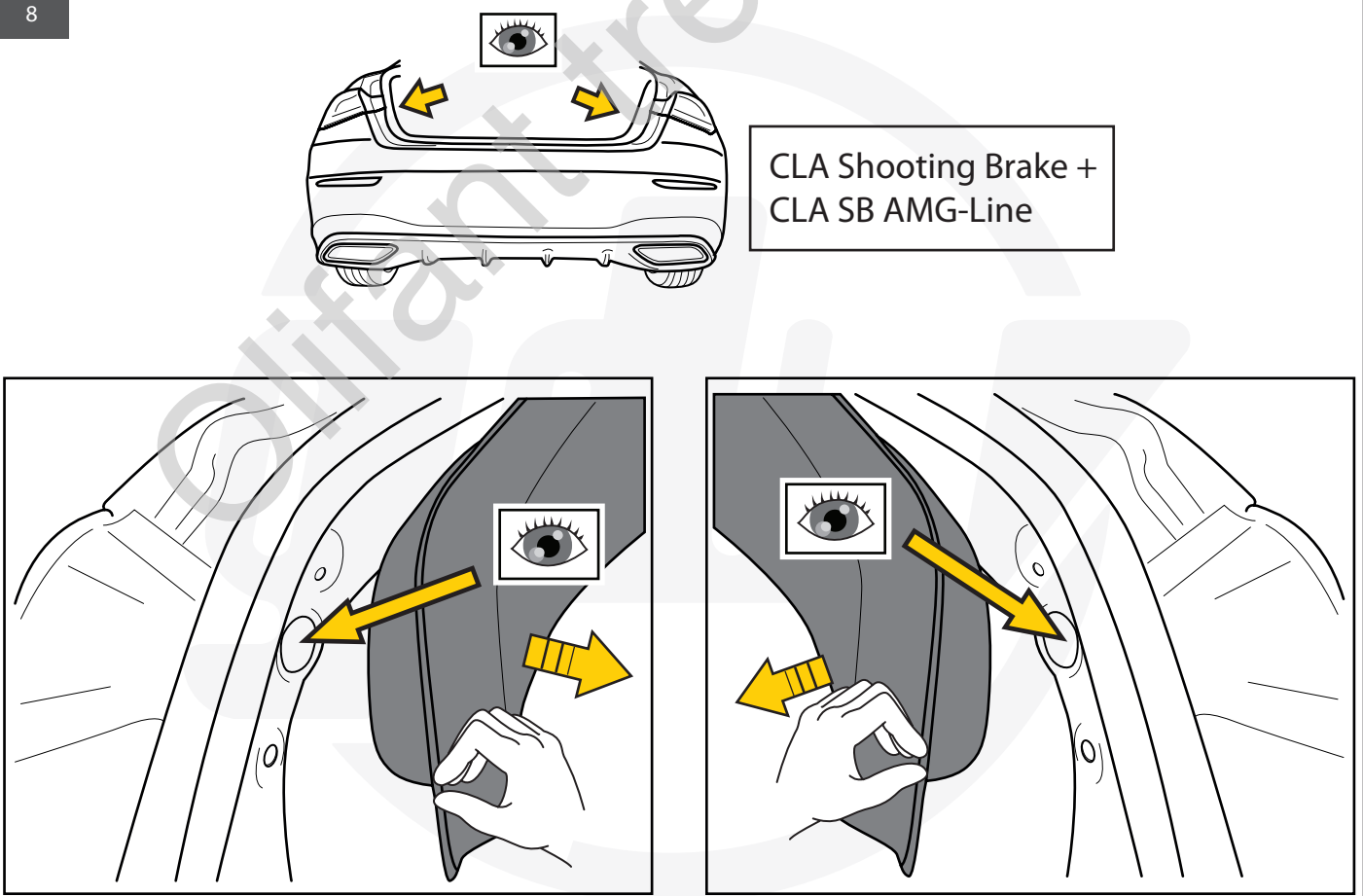
7

CLA Shooting Brake +
CLA SB AMG-Line

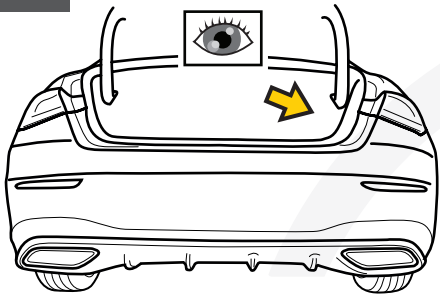


8

CLA Shooting Brake +
CLA SB AMG-Line

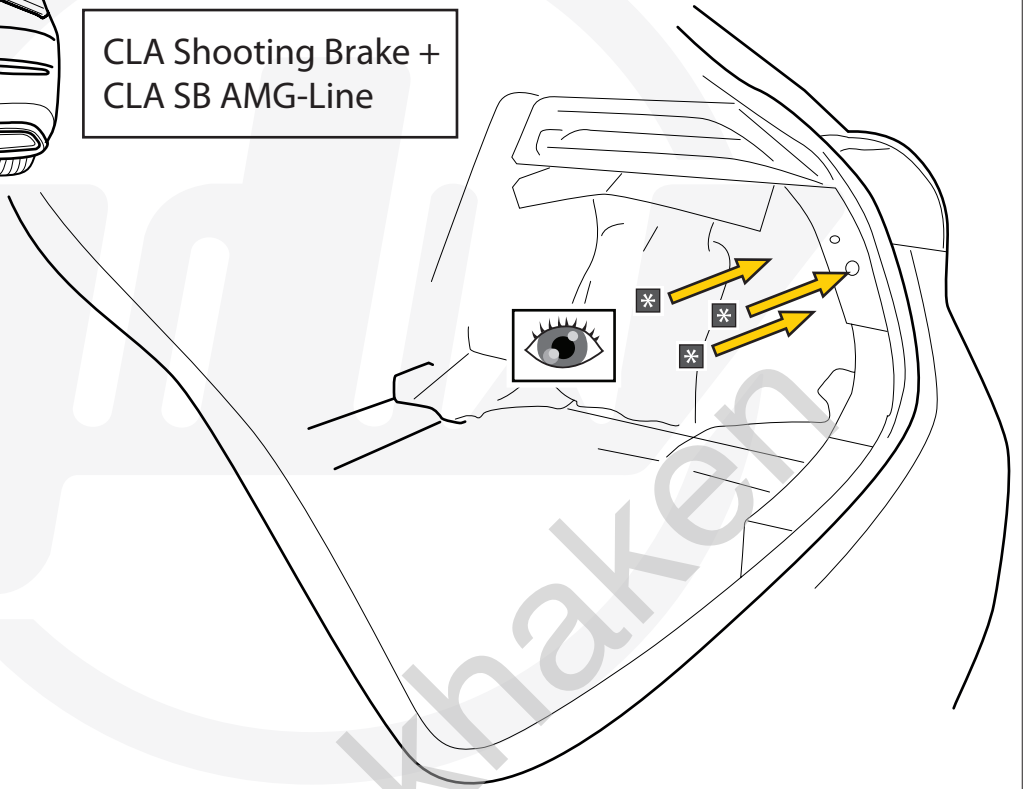
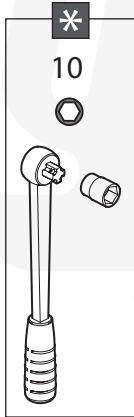


9

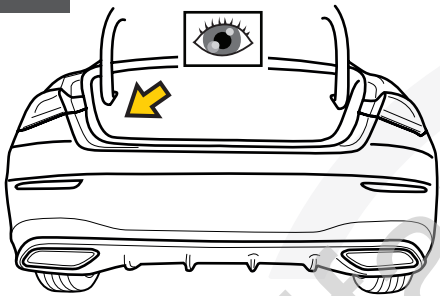


CLA Coupé +
CLA Coupé AMG-Line

CLA Shooting Brake +
CLA SB AMG-Line

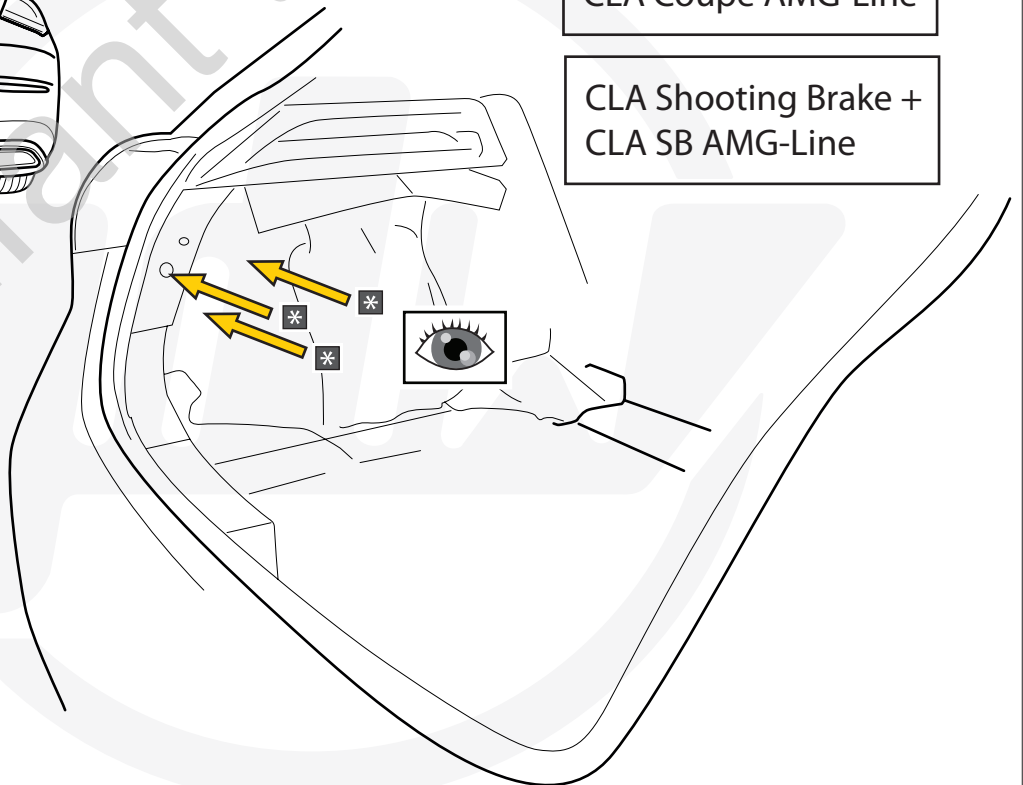
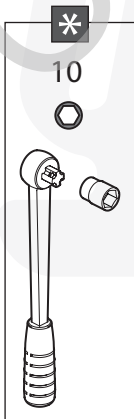


10



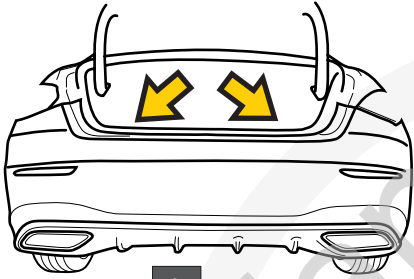
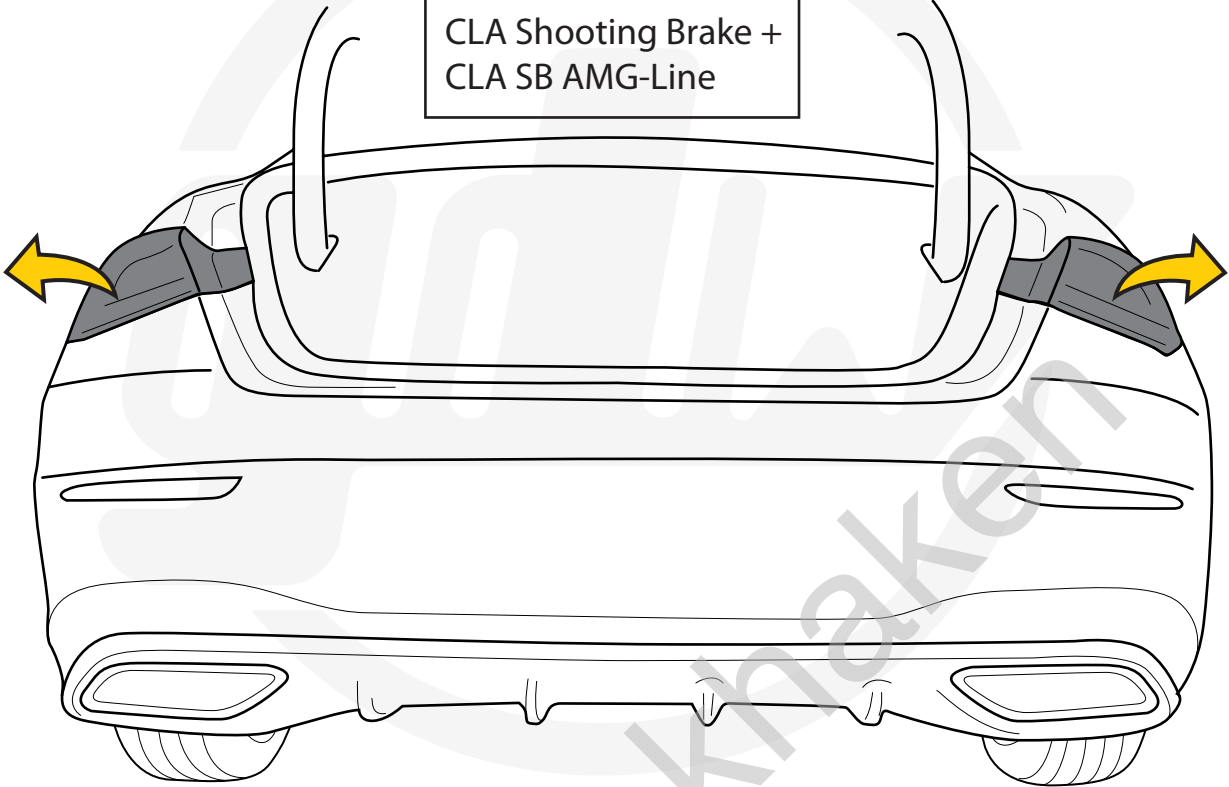
CLA Coupé +
CLA Coupé AMG-Line

CLA Shooting Brake +
CLA SB AMG-Line



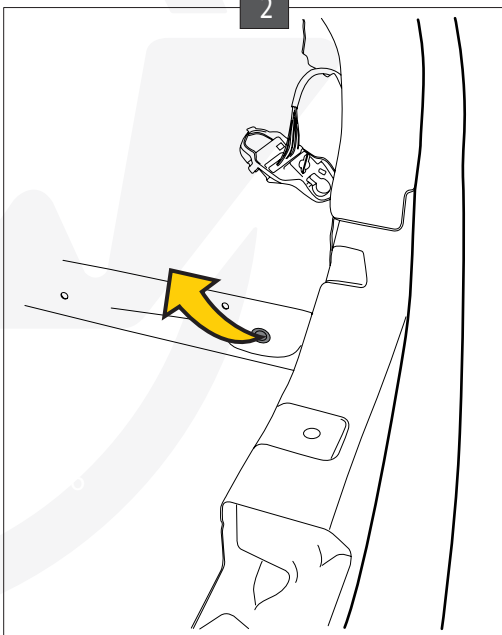
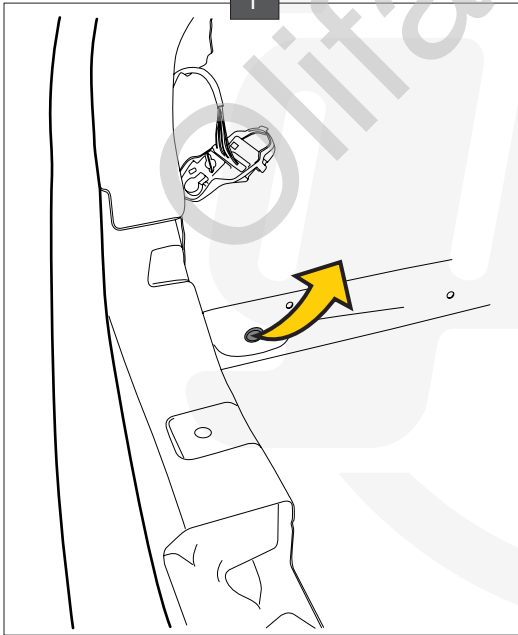
CLA Coupé +
CLA Coupé AMG-Line

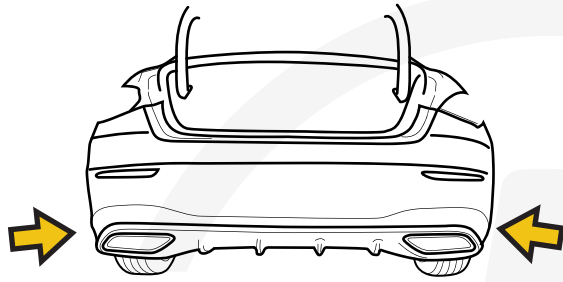
CLA Shooting Brake +
CLA SB AMG-Line



CLA Coupé +
CLA Coupé AMG-Line

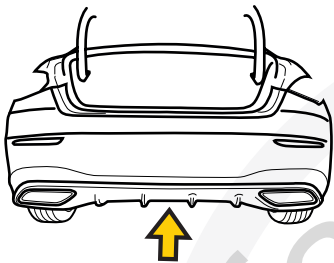
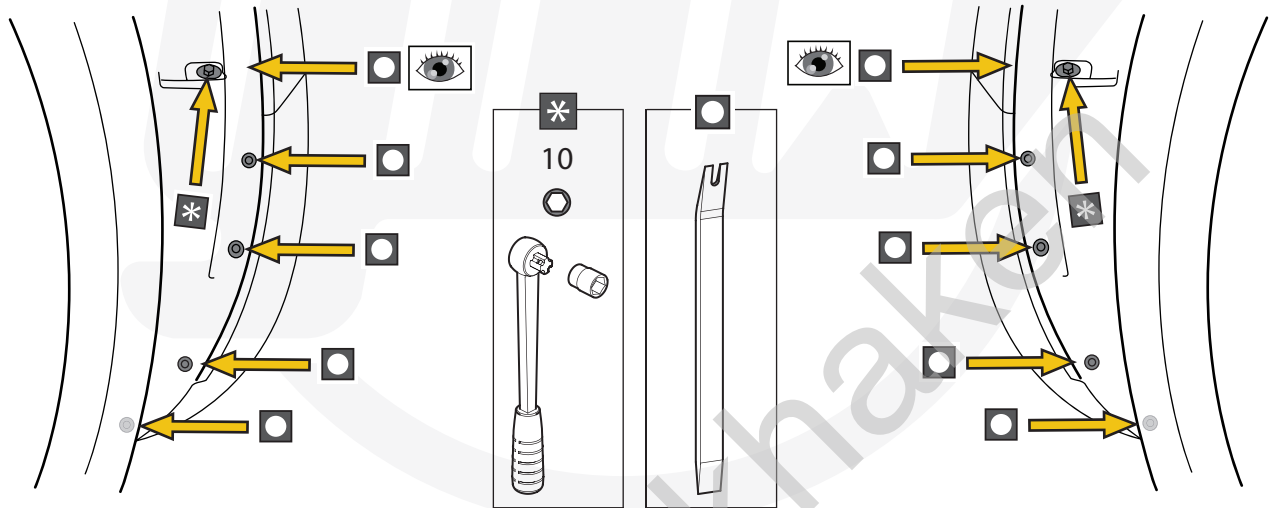
CLA Shooting Brake +
CLA SB AMG-Line





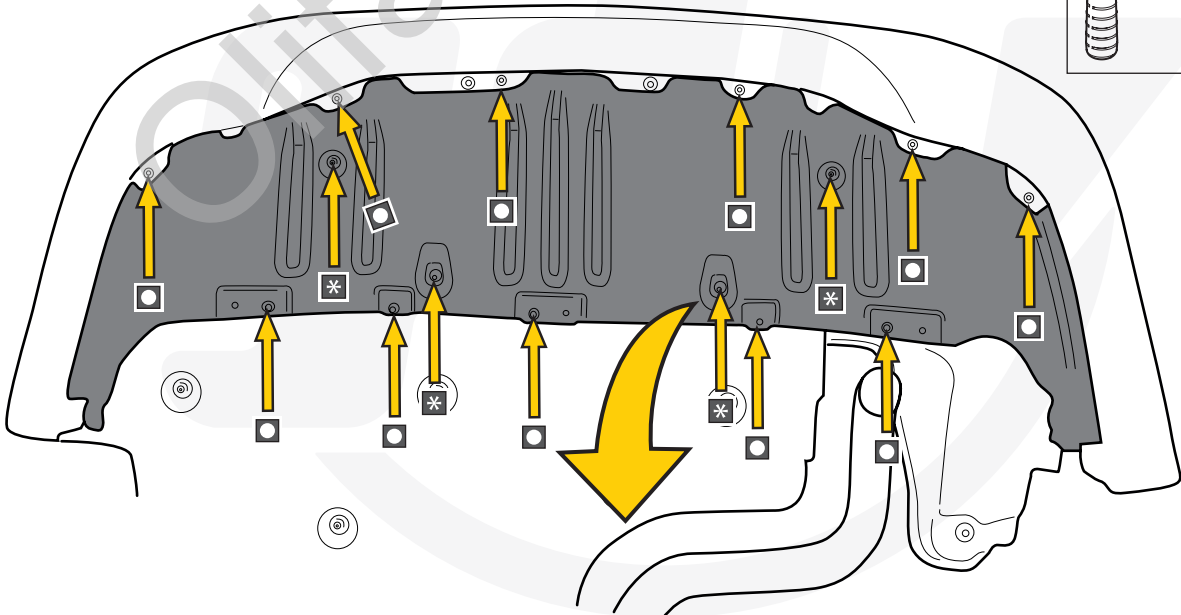
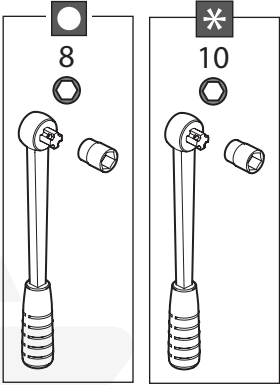
CLA Coupé +
CLA Coupé AMG-Line

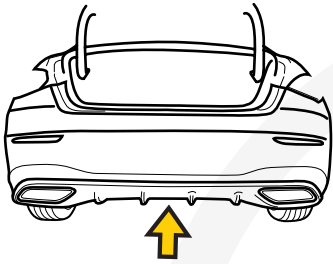
CLA Shooting Brake +
CLA SB AMG-Line



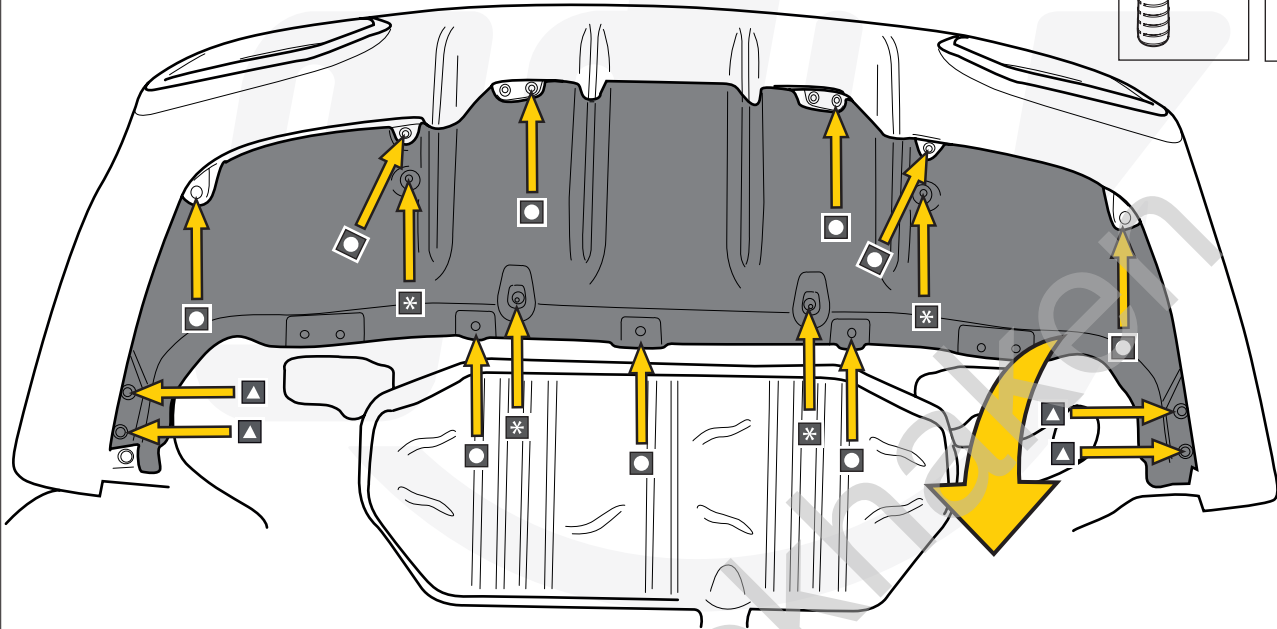
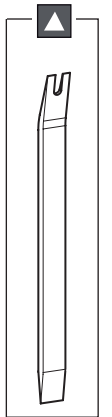
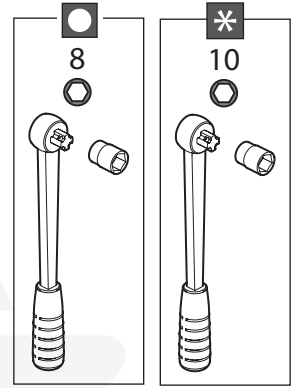
CLA Coupé

CLA Shooting Brake

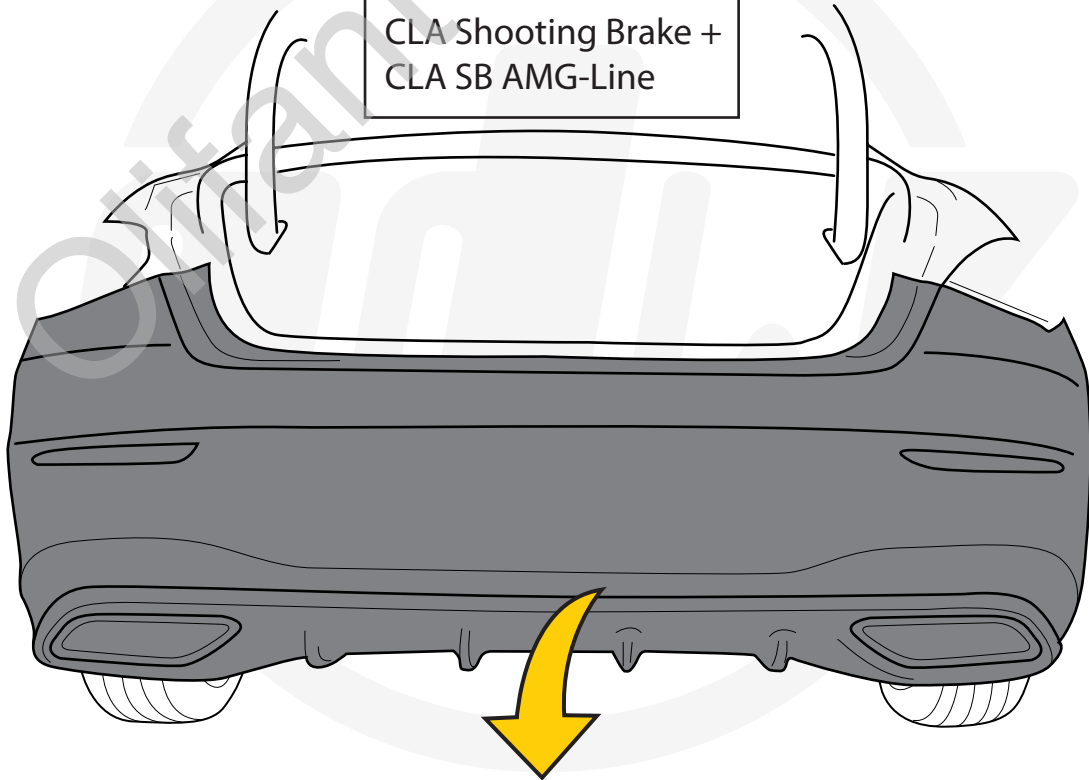


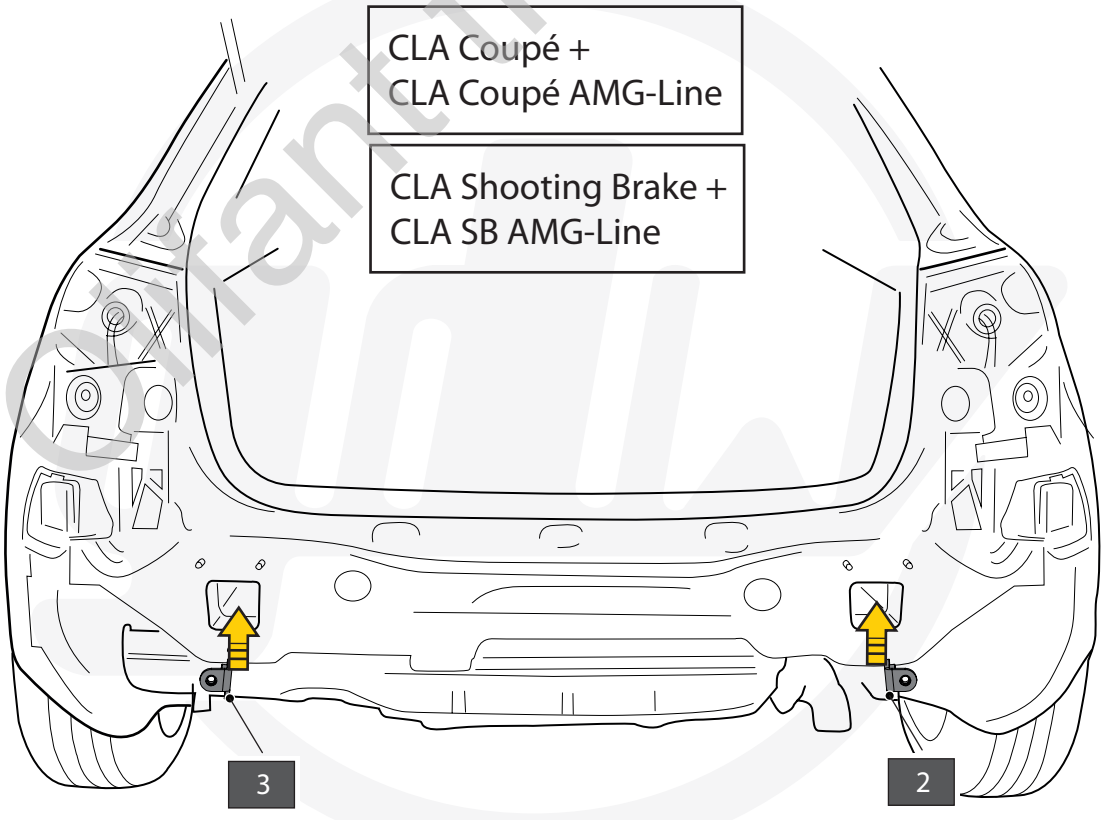
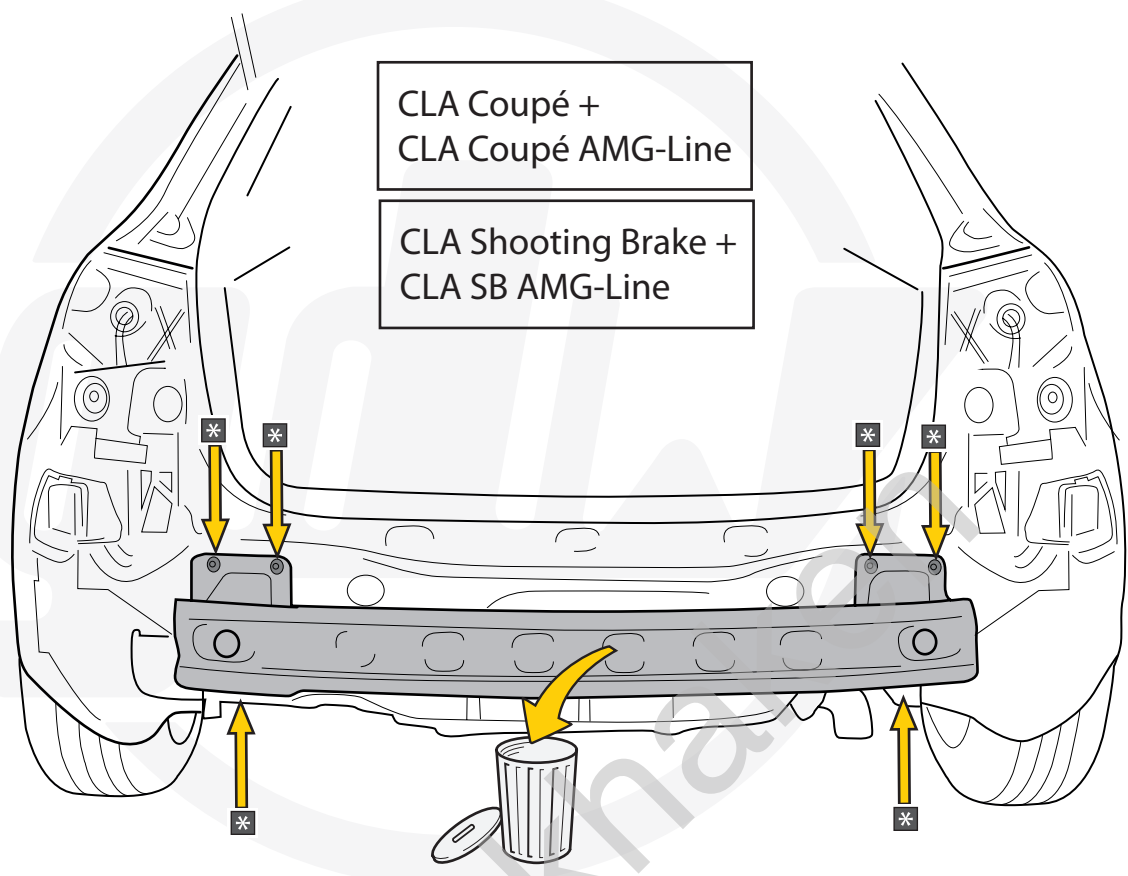
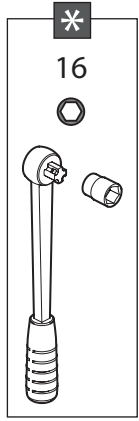


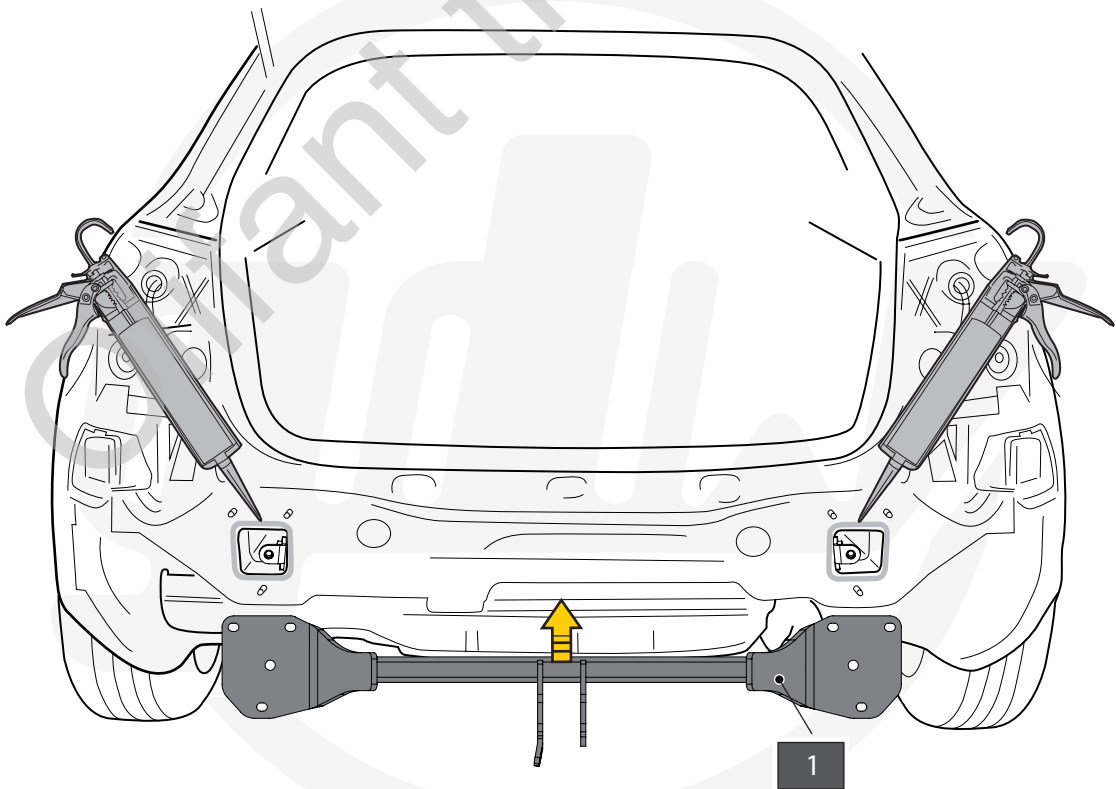
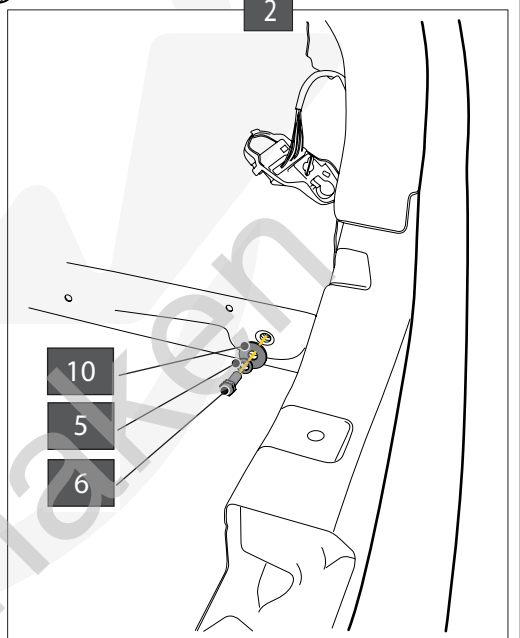
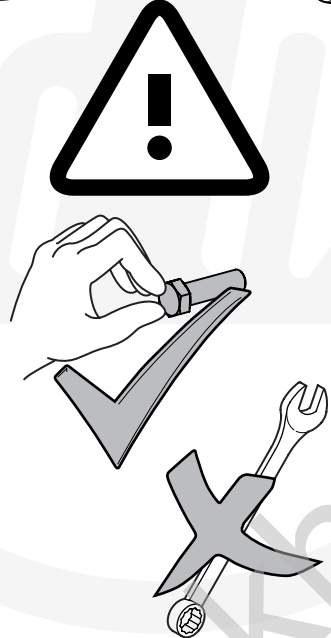
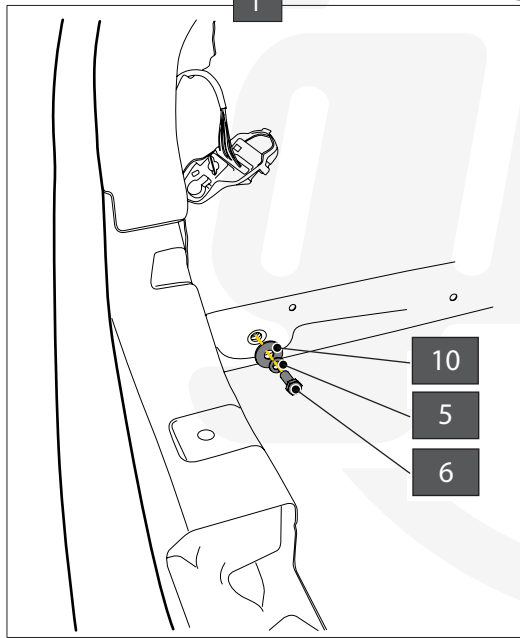
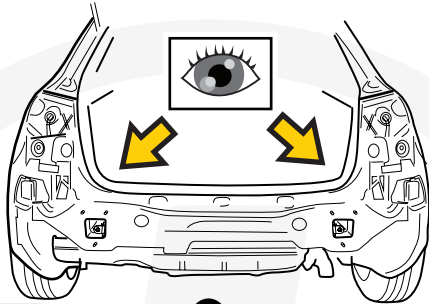
CLA Coupé AMG-Line
CLA SB AMG-Line



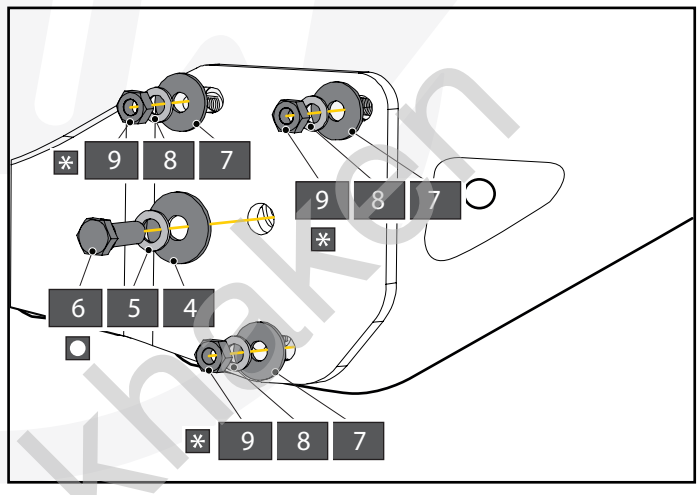
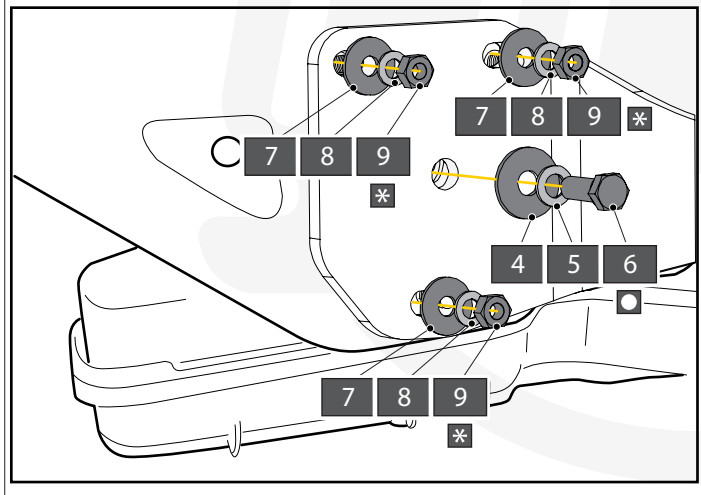
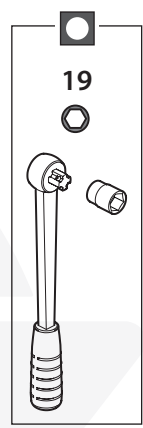
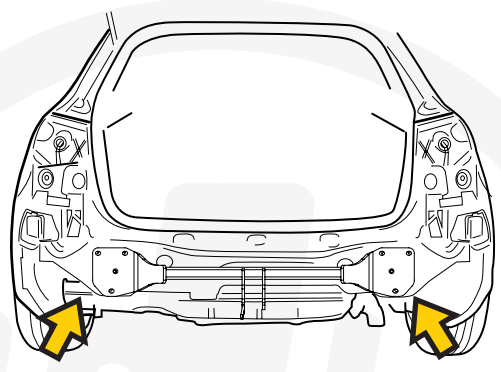
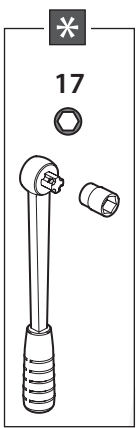
CLA Coupé +
CLA Coupé AMG-Line
CLA Shooting Brake +
CLA SB AMG-Line



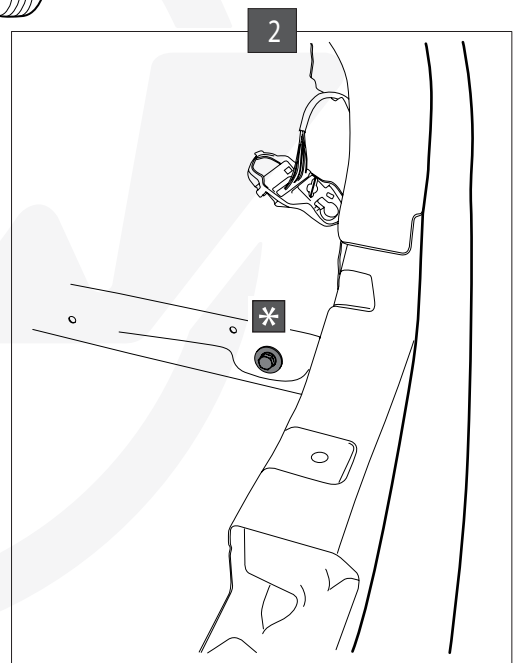
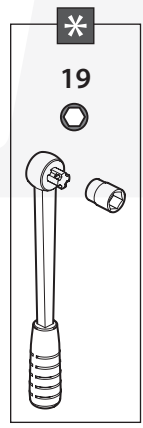
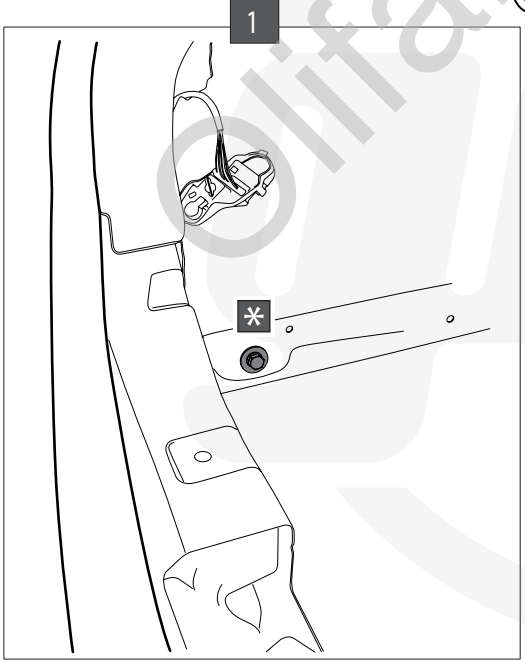
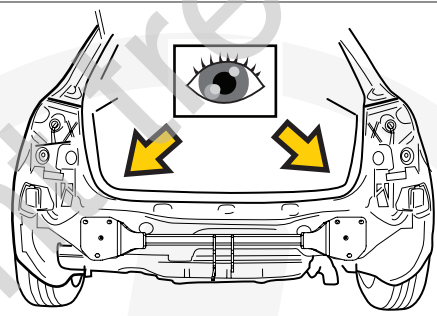




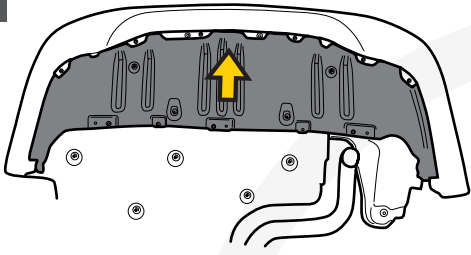
21



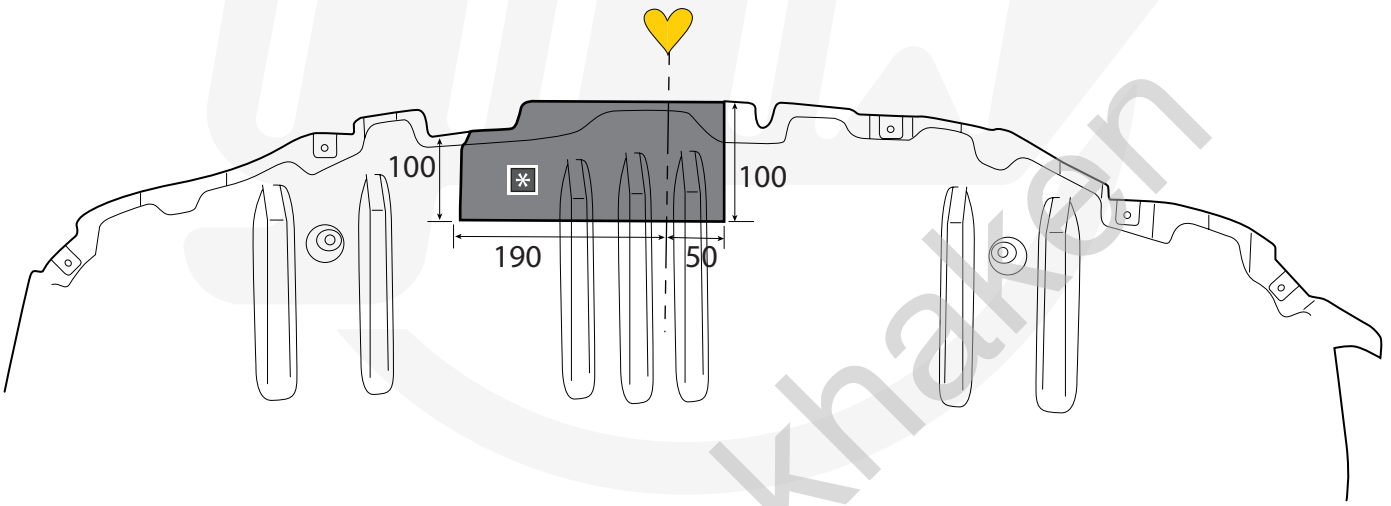
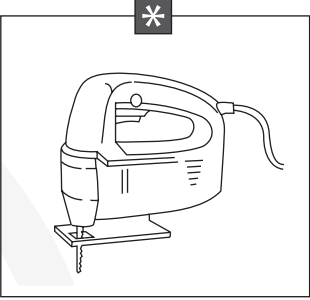
22



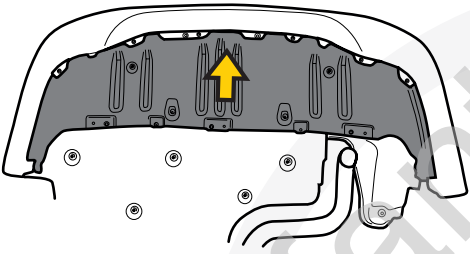
23



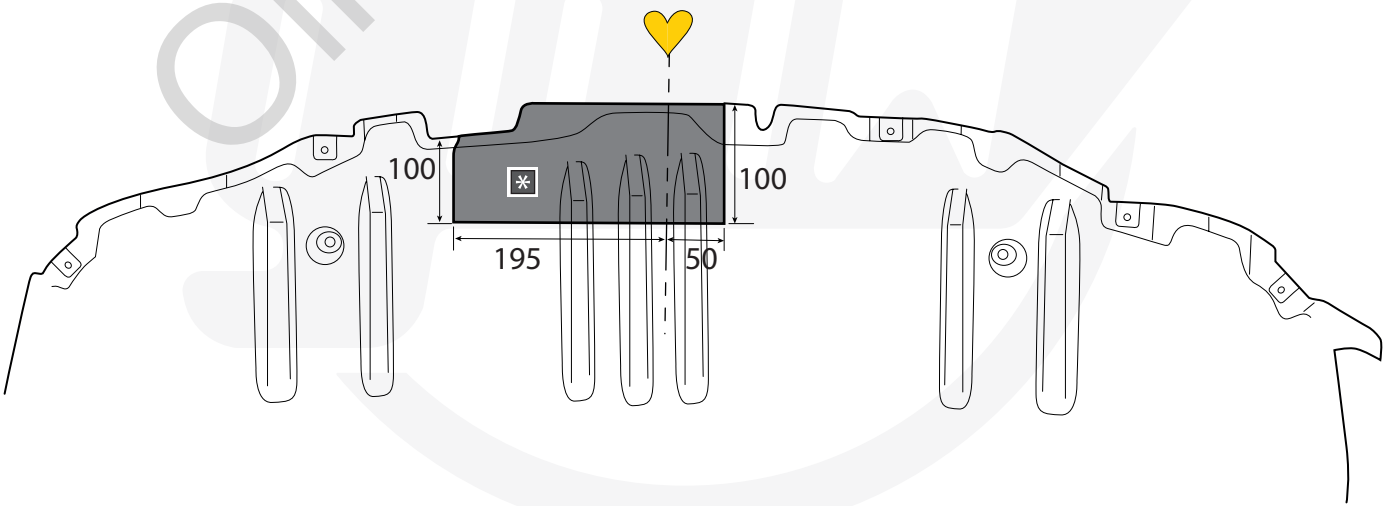
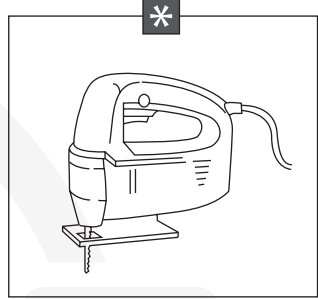
CLA Coupé



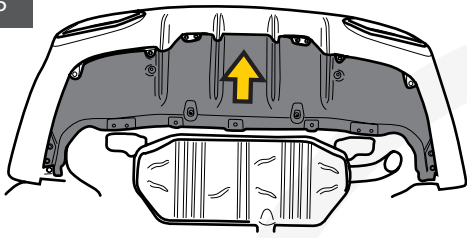
24



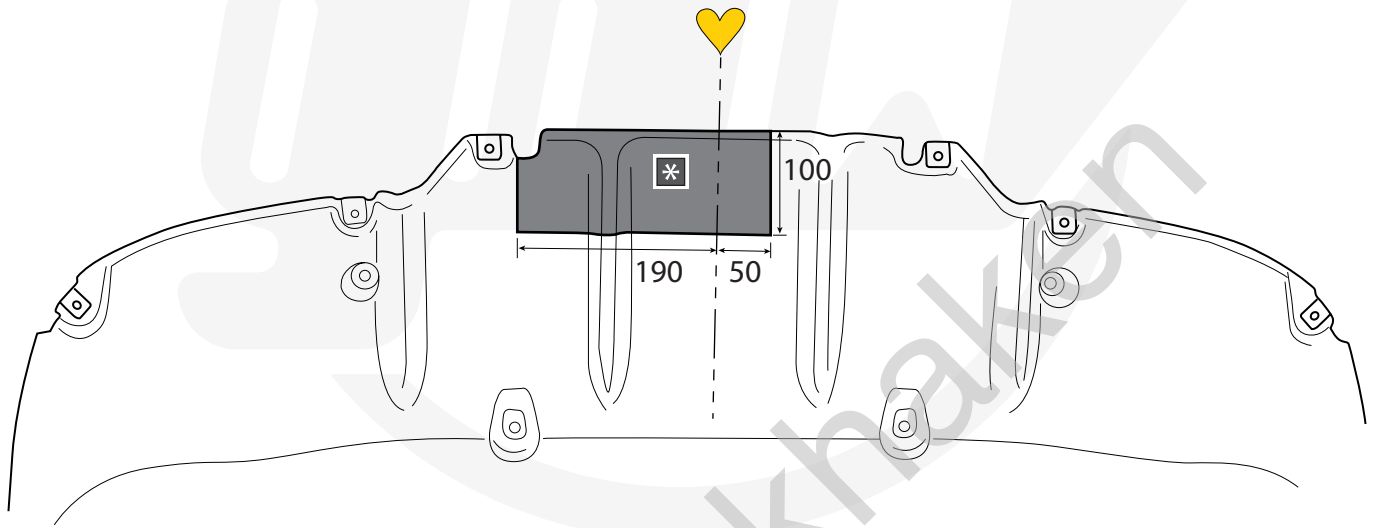
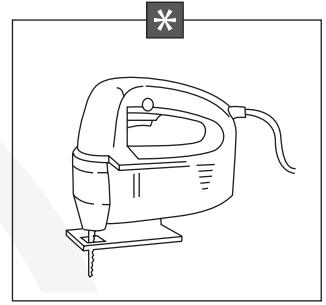
CLA Coupé Shooting Brake



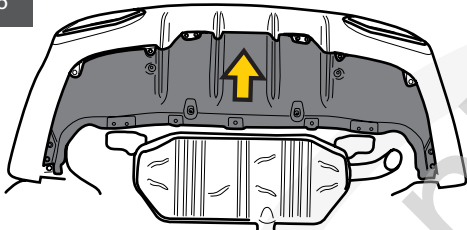
25



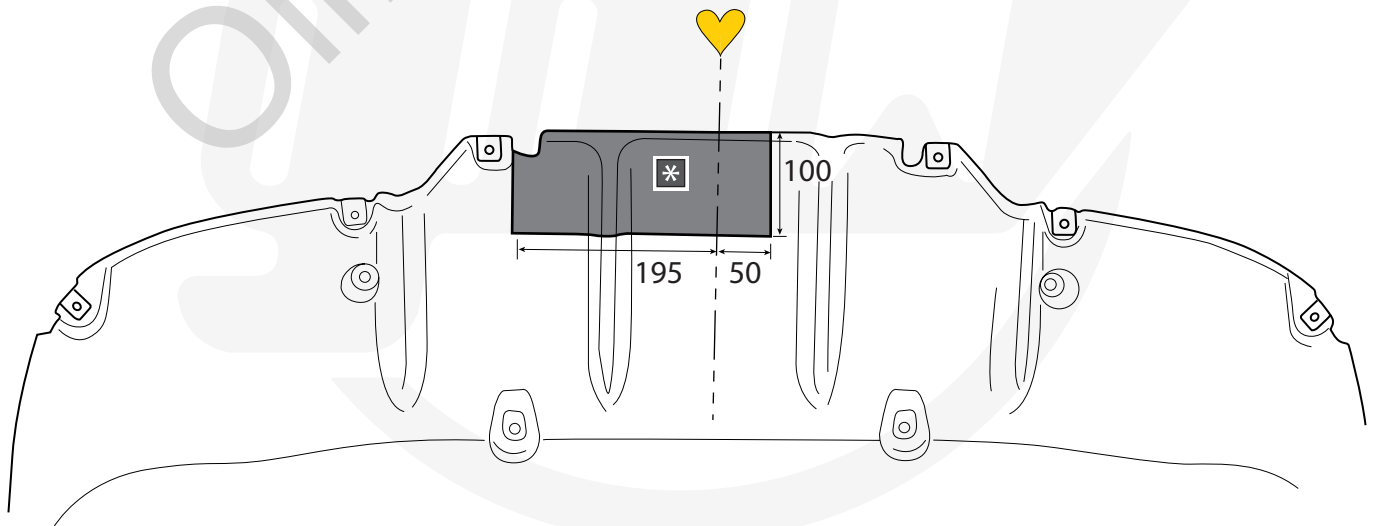
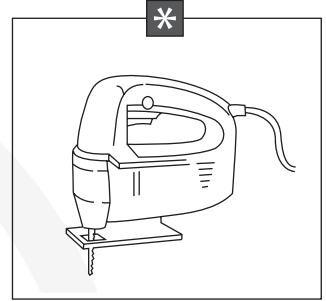
CLA Coupé AMG-Line



26

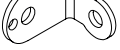




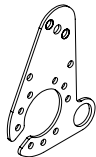
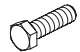


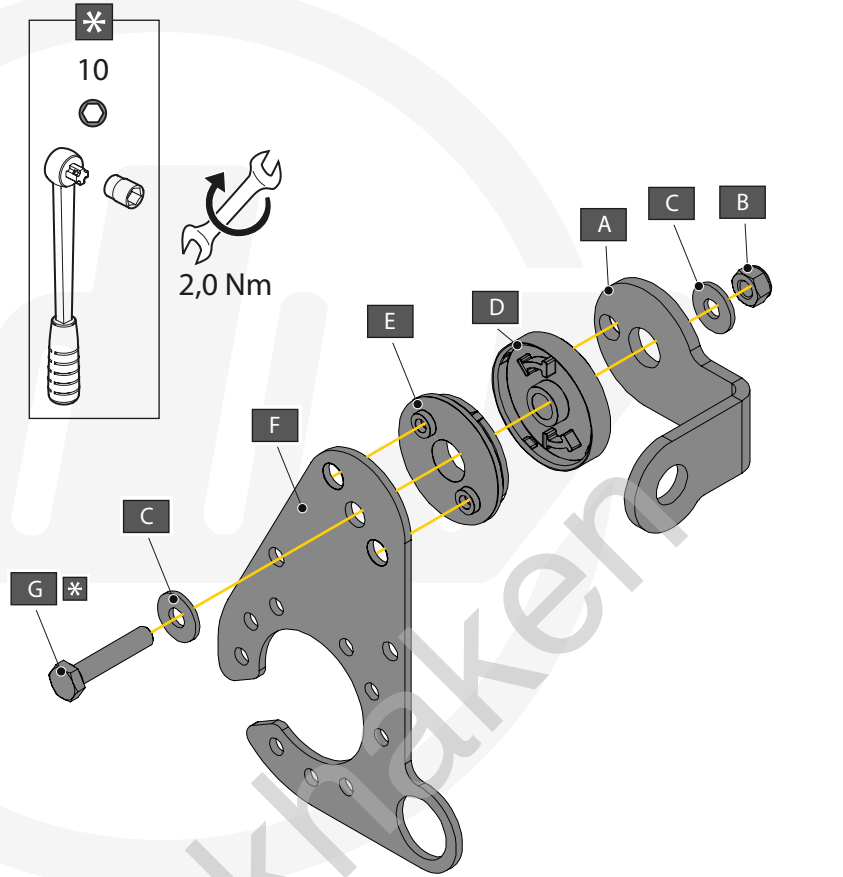
CLA Sh. Br. AMG-Line



CLA Coupé

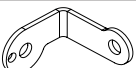




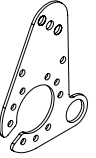

CLA Shooting Brake

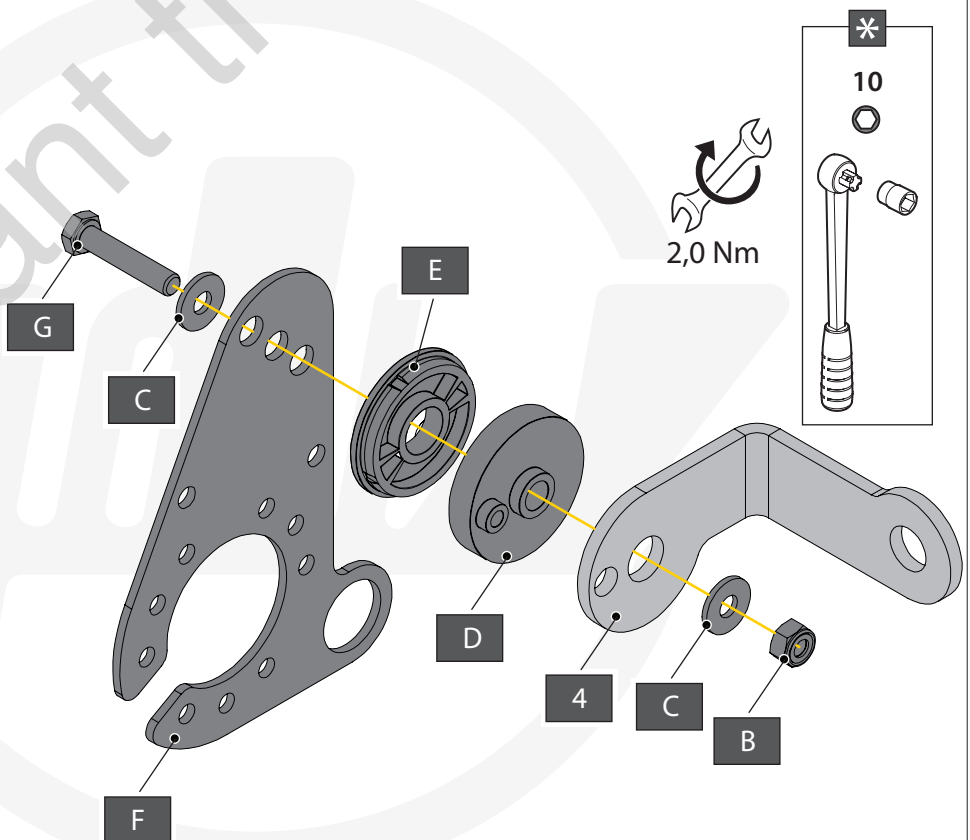
A		X1	GDW REF. 908.095
B		X1	DIN985-M6
C		X2	6,2 X 15,4 X 1,6 (NYLON)
D		X1	GDW REF. 718.16.002
E		X1	GDW REF. 718.16.003
F		X1	GDW REF. 908.094
G		X1	DIN933-M6 X 30



CLA Coupé AMG-Line

CLA SB AMG-Line

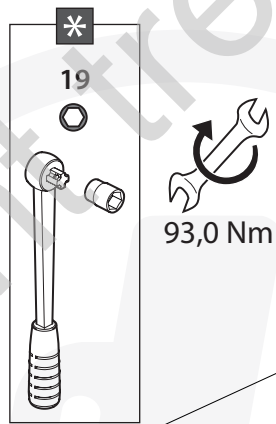
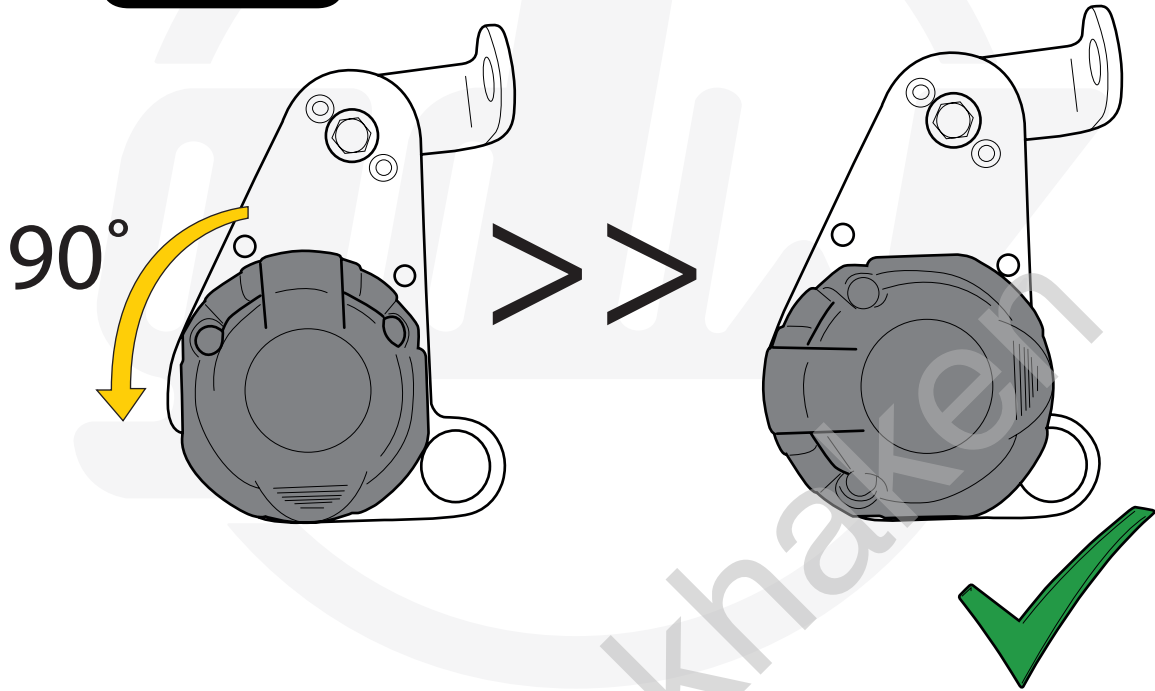
4		X1	GDW REF. 2417160-050
B		X1	DIN985-M6
C		X2	6,2 X 15,4 X 1,6 (NYLON)
D		X1	GDW REF. 718.16.002
E		X1	GDW REF. 718.16.003
F		X1	GDW REF. 908.094
G		X1	DIN933-M6 X 30



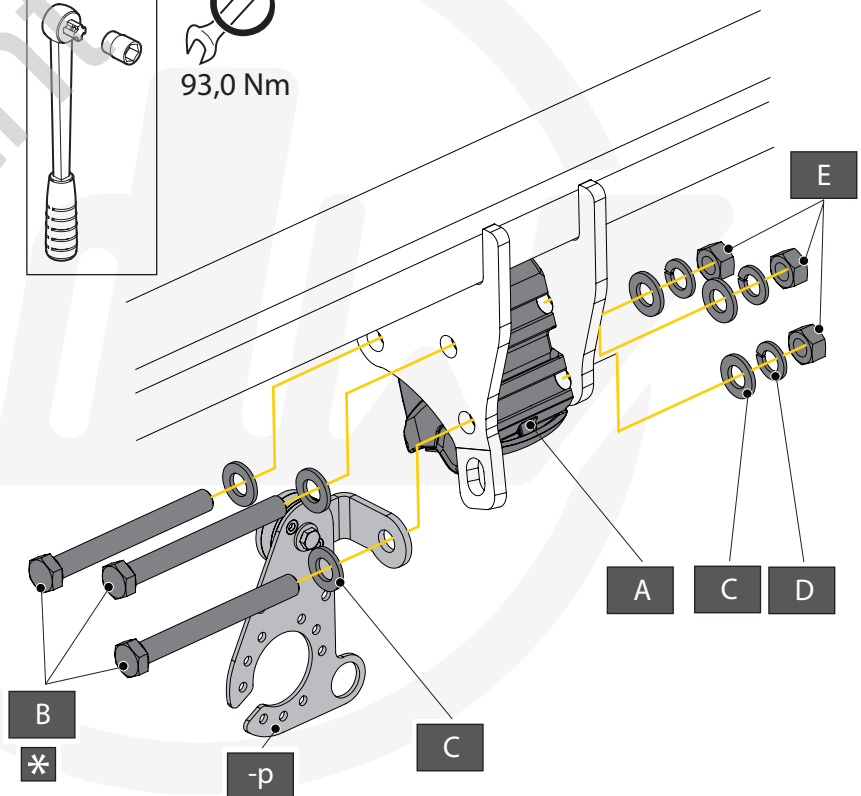


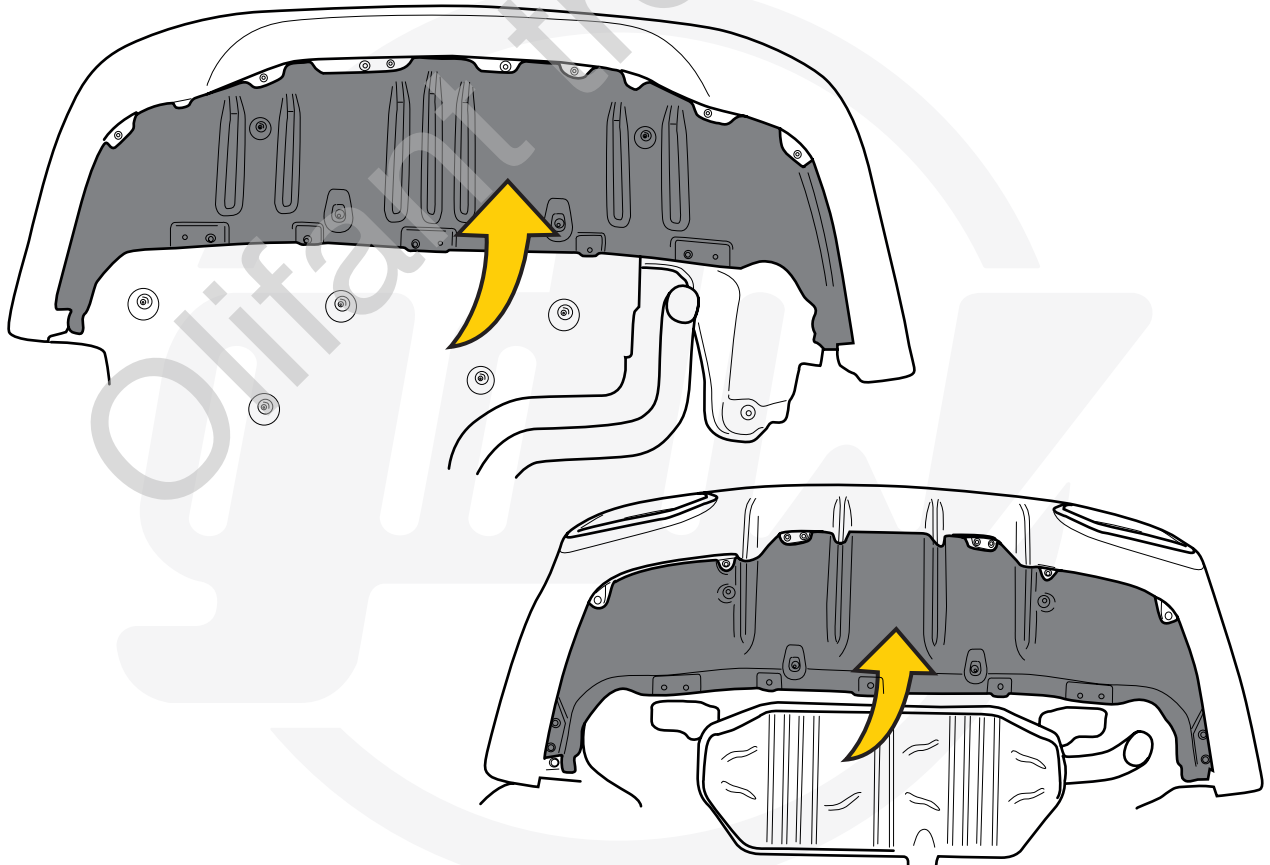
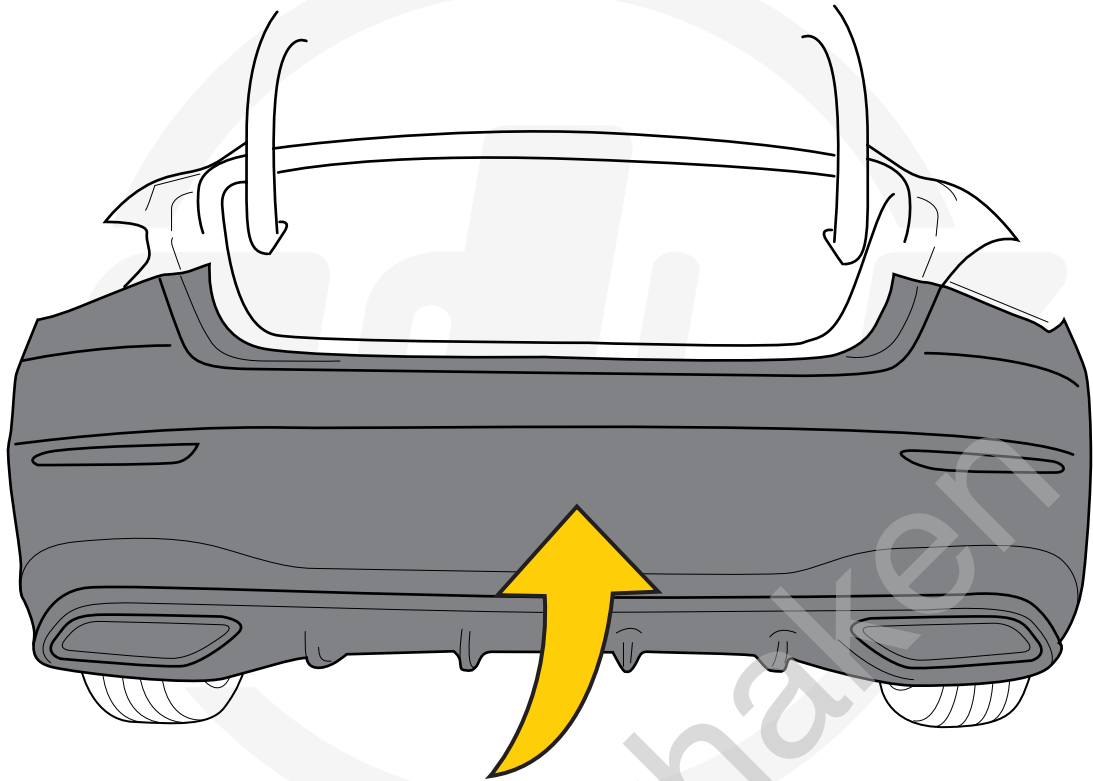
CLA Coupé AMG-Line

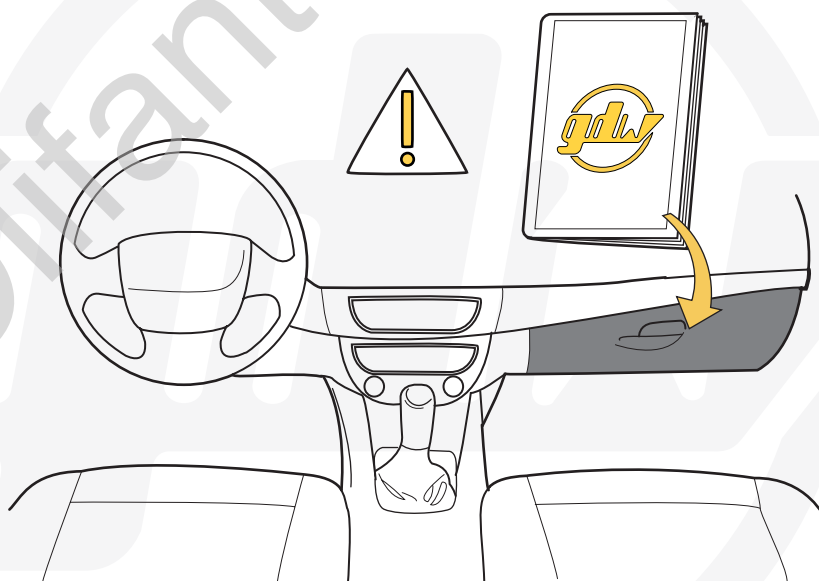
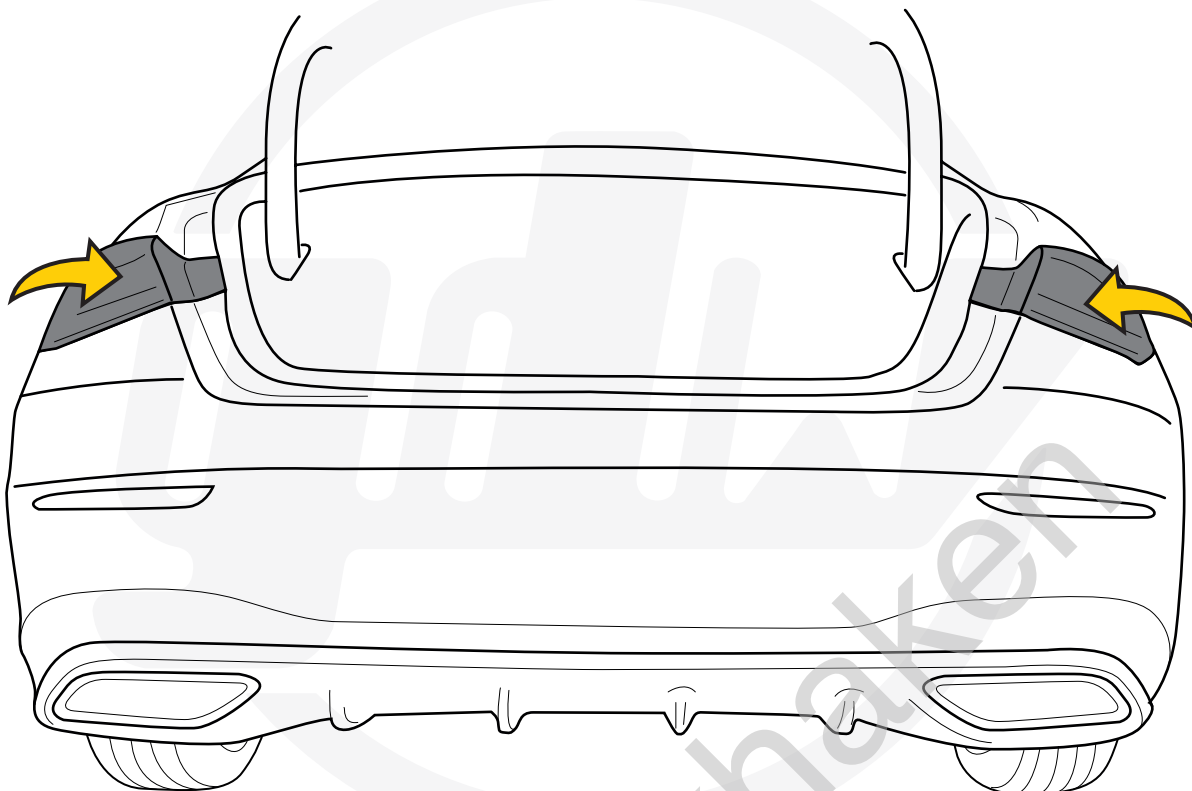
CLA SB AMG-Line



- | | | | |
|---|--|----|----------------|
| A | | X1 | T60 |
| B | | X3 | DIN931-M12X110 |
| C | | X6 | DIN125A-M12 |
| D | | X3 | DIN128A-M12 |
| E | | X3 | DIN934-M12 |









helpdesk@gdwtowbars.com

+32 56 62 77 79

Monday	08:00 - 12:00	12:30 - 16:30
Tuesday	08:00 - 12:00	12:30 - 16:30
Wednesday	08:00 - 12:00	12:30 - 16:30
Thursday	08:00 - 12:00	12:30 - 16:30
Friday	08:00 - 12:00	12:30 - 15:30

Olifant trekhaken