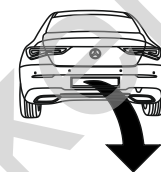


Mercedes CLA (C118), (+AMG-Line)
Mercedes CLA Shooting Brake (X118),
(+AMG-Line)

(03/2019 - →)
(06/2019 - →)

M-168

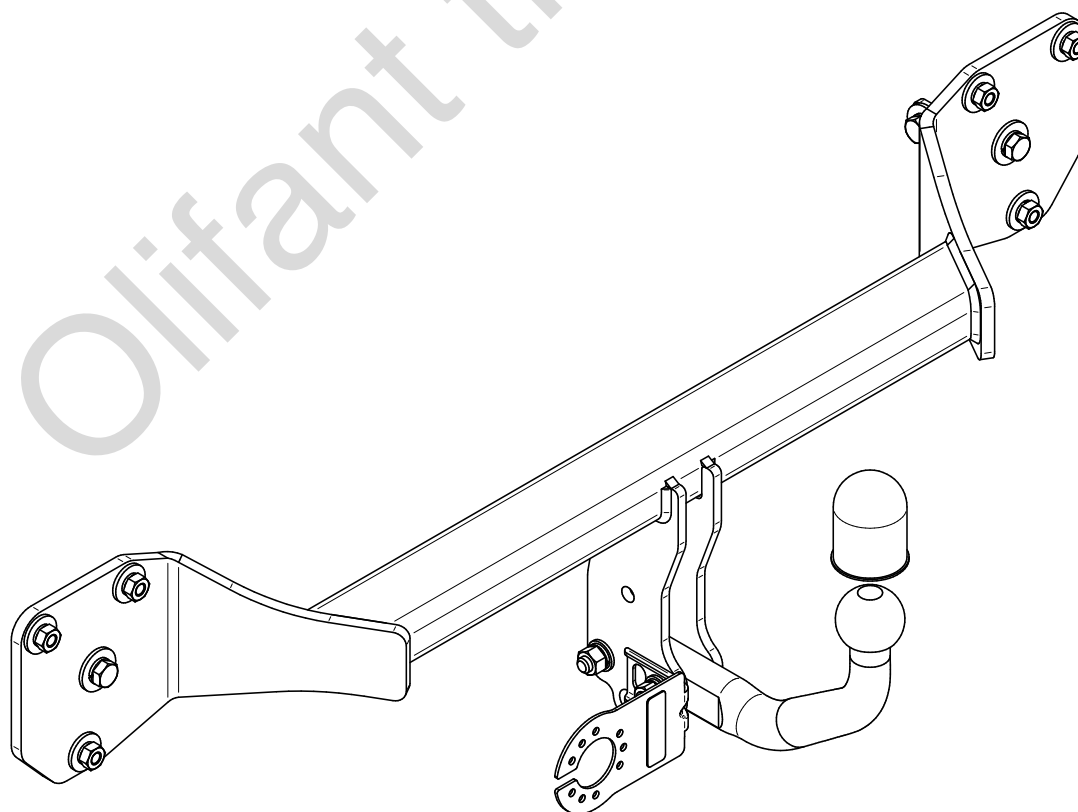
- PL** **Zaczep Kulowy** Instrukcja montażu i eksploatacji
- GB** **Tow bar** Installation and operating instructions
- D** **Die Anhängerkupplung** Montage- und Gebrauchsanleitung
- ES** **Gancho de remolque** Las instrucciones de instalación y de operación
- RU** **Фаркоп** Инструкция по установке и эксплуатации ТСУ
- FR** **Attelage** Notice de montage et d'utilisation
- IT** **Gancio traino** Istruzioni di montaggio
- CZ** **Tažné zařízen** Návod na montáž a použití
- RO** **Cârlig de remorcare** Instrucția de montaj și exploatare
- SE** **Dragkulan** Monterings- och bruksanvisningar.



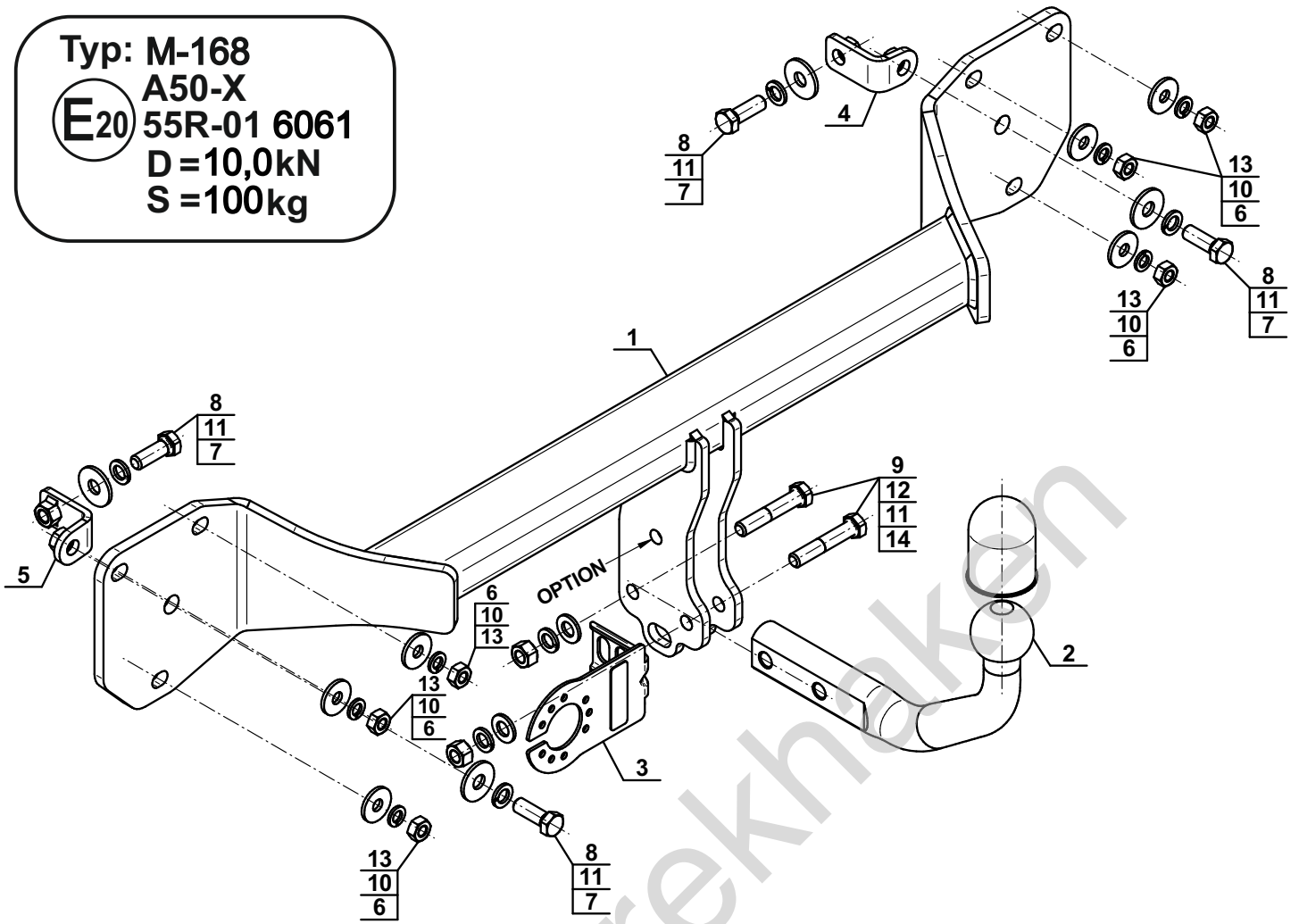
YES	NO
<input checked="" type="checkbox"/>	<input type="checkbox"/>



YES	NO
<input type="checkbox"/>	<input checked="" type="checkbox"/>



Typ: M-168
 A50-X
 E20 55R-01 6061
 D = 10,0kN
 S = 100kg



1		x1
2		x1
3		x1
4		x1
5		x1

6		Ø30/Ø10,5x3	x6
7		Ø34/Ø12,5x3	x4
8		M12x35 (PN/M-82105) (8.8)	x4
9		M12x65 (PN/M-82101) (8.8)	x2
10		Ø10,2	x6
11		Ø12,2	x6
12		Ø13,0	x2
13		M10 (8)	x6
14		M12 (8)	x2

OPTION

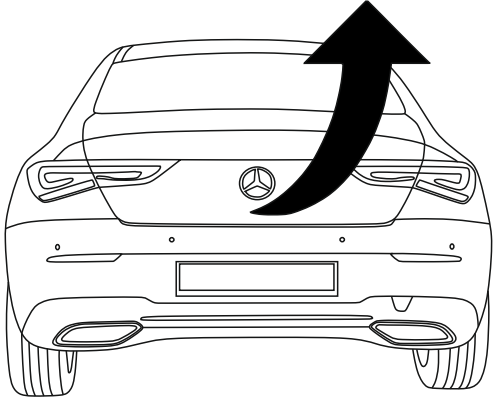
	1x		M12x35	1x		Ø12,2
	1x		Ø13,0	1x		M12

(CZ-050.00)

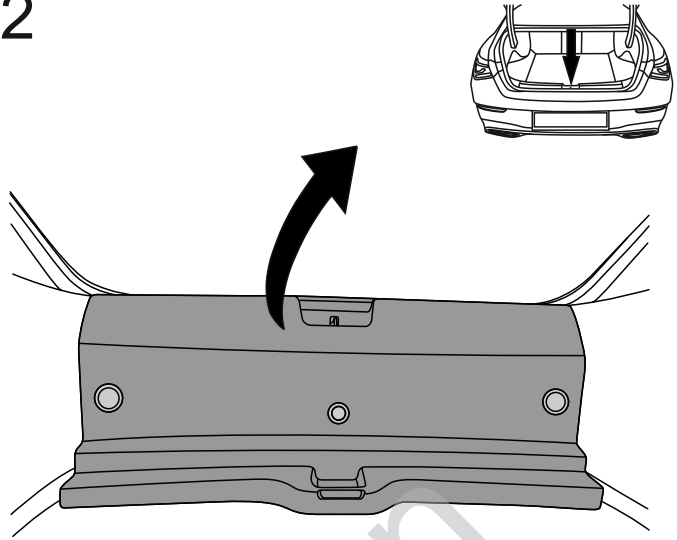


8.8	
M6 - 10 (Nm)	M12 - 85 (Nm)
M8 - 25 (Nm)	M14 - 135 (Nm)
M10 - 50 (Nm)	M16 - 200 (Nm)

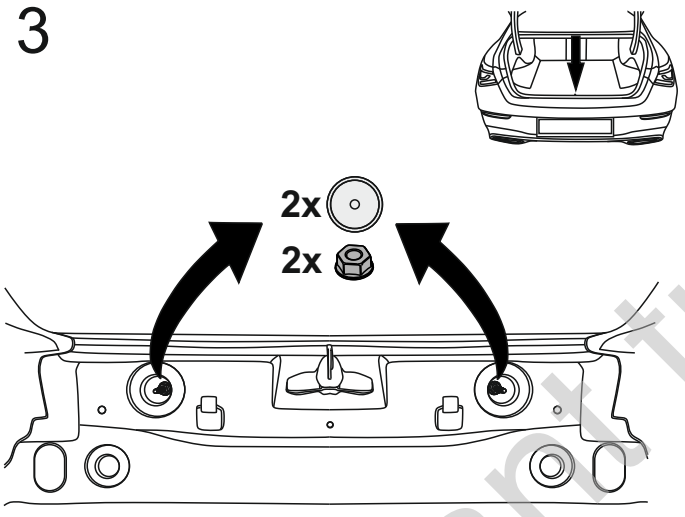
1



2

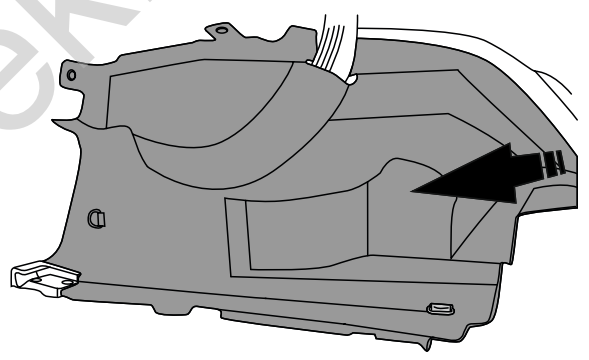


3



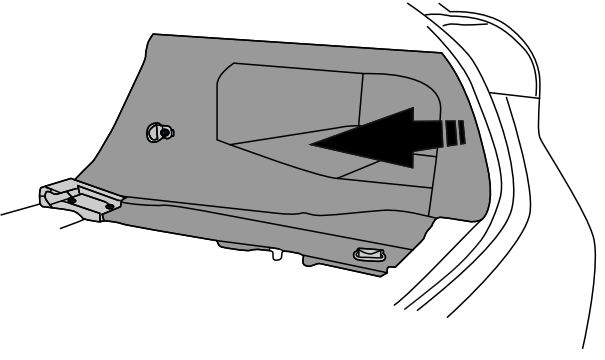
4

CLA Coupe
CLA Coupe AMG-Line



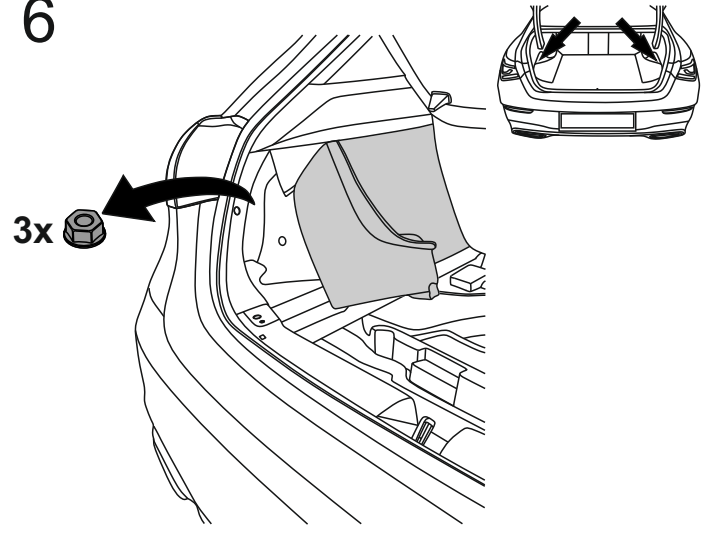
5

CLA Shooting Brake
CLA Shooting Brake
AMG-Line

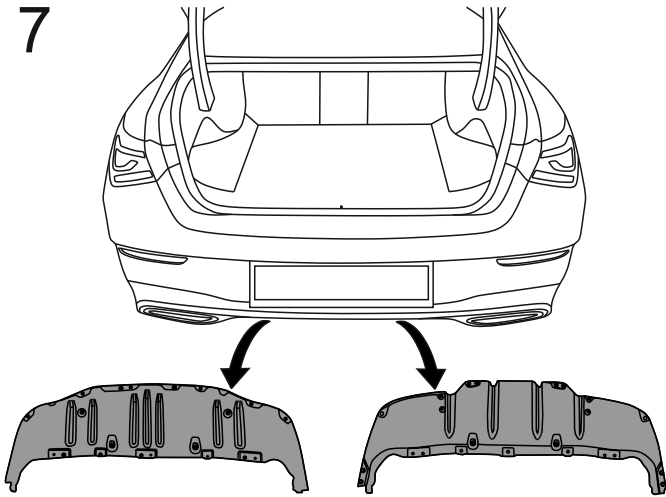


6

3x



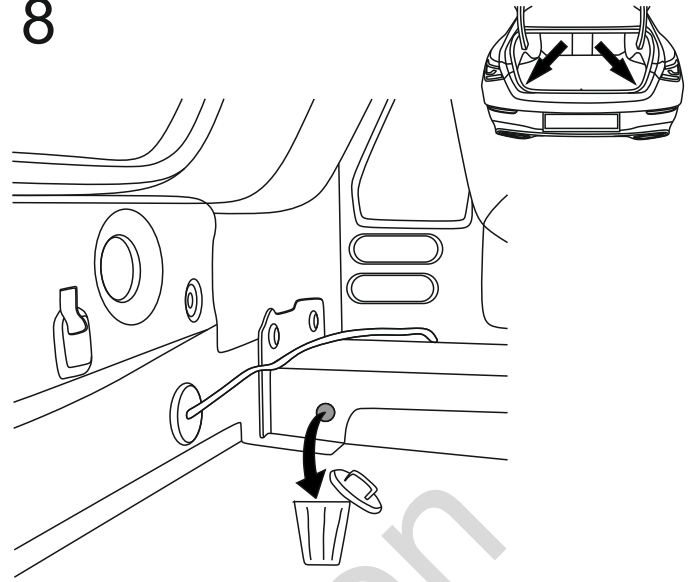
7



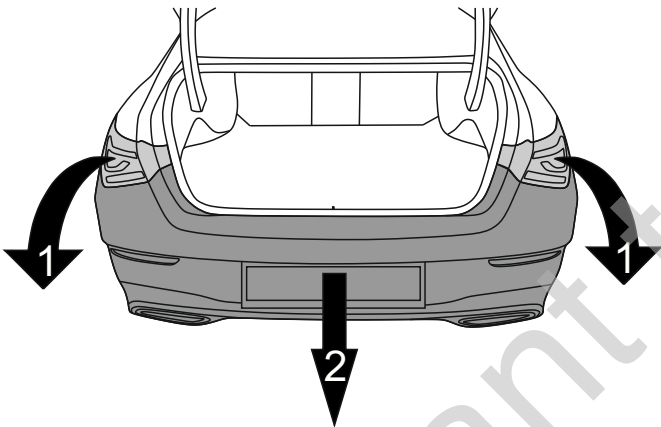
CLA Coupe
CLA Shooting Brake

CLA Coupe AMG-Line
CLA Shooting Brake
AMG-Line

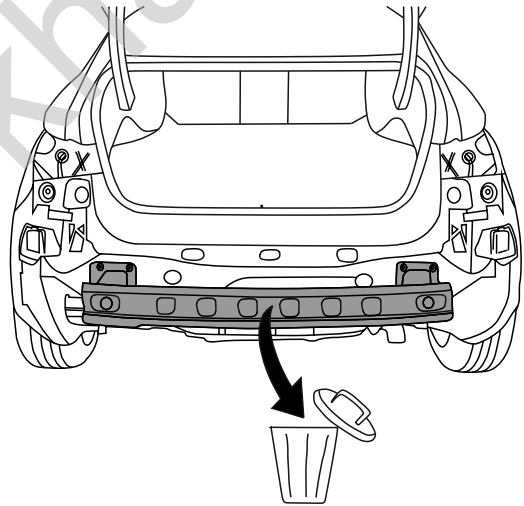
8



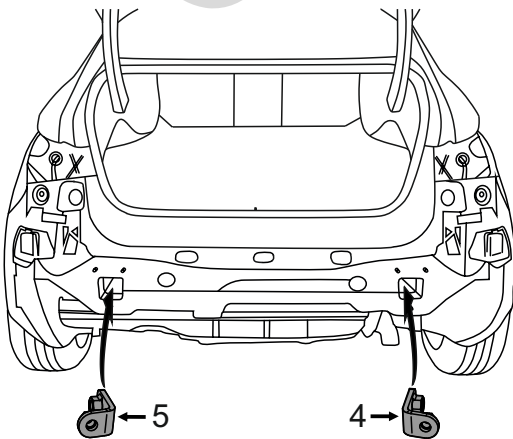
9



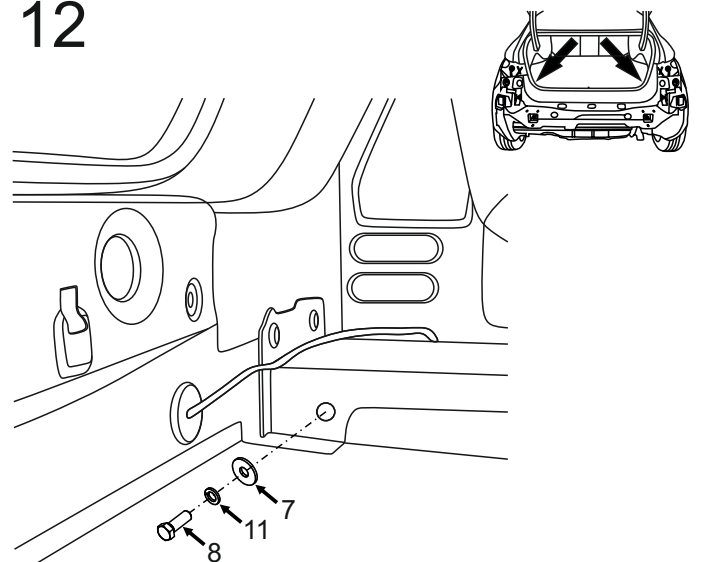
10



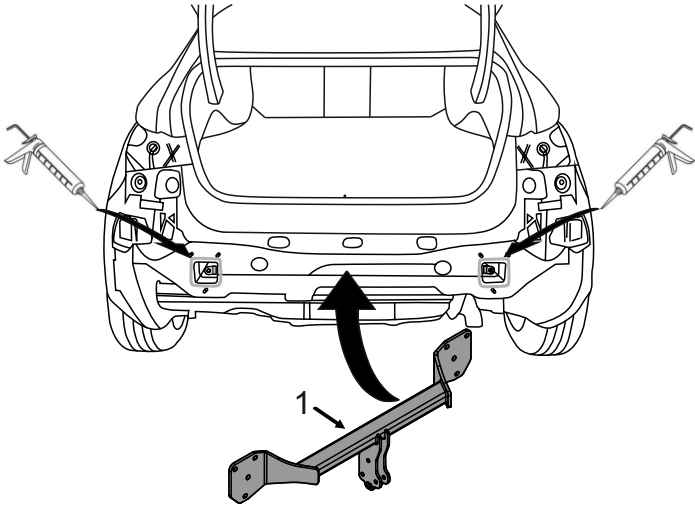
11



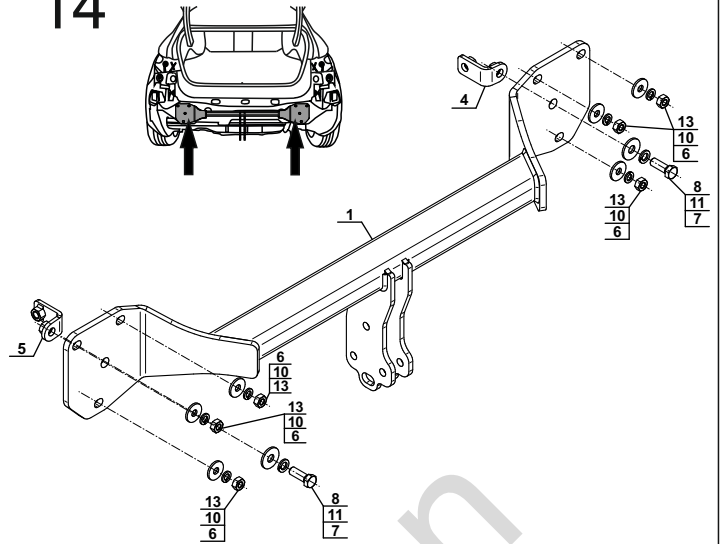
12



13

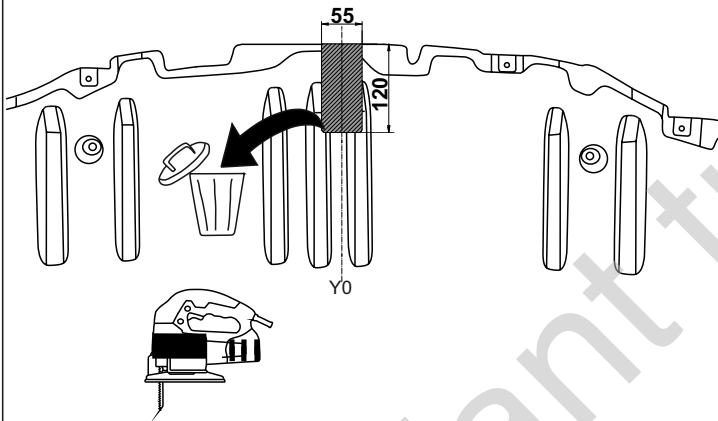


14



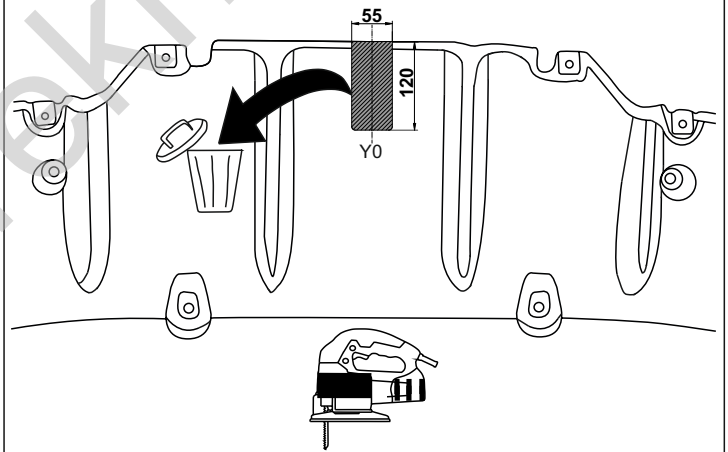
15

CLA Coupe
CLA Shooting Brake (mm)

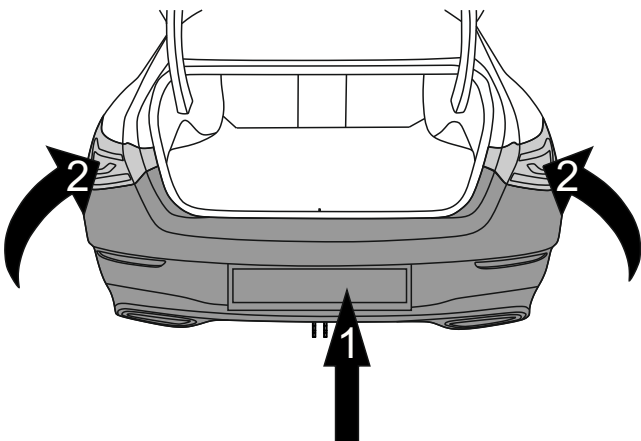


16

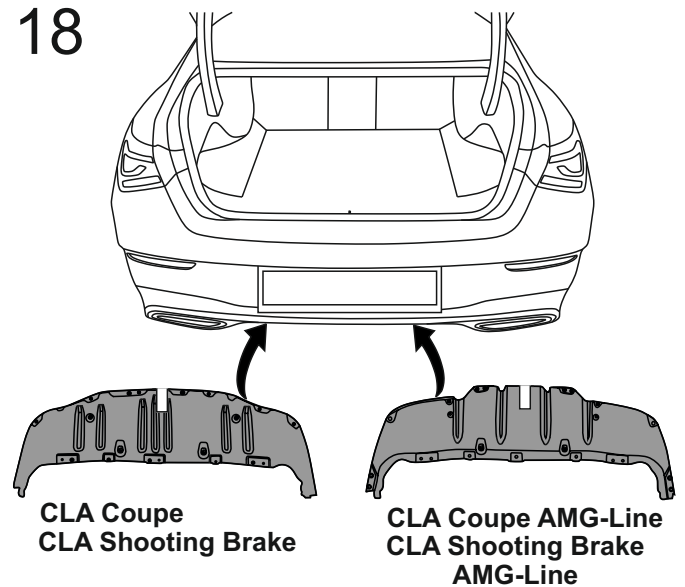
CLA Coupe AMG-Line
CLA Shooting Brake
AMG-Line (mm)



17

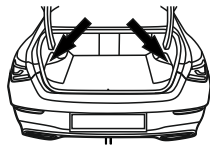
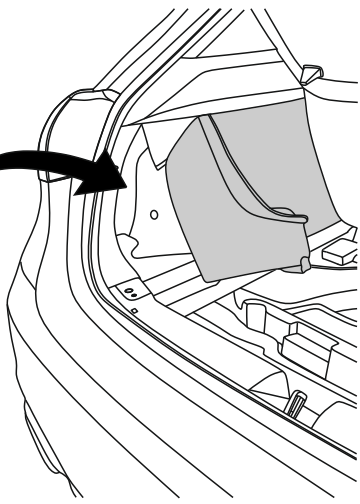


18



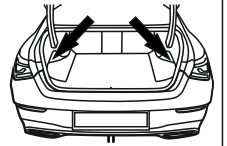
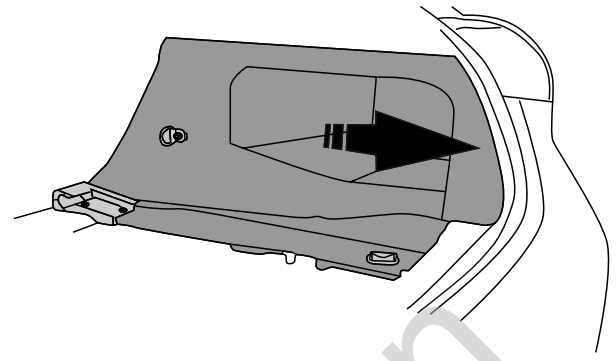
19

3x



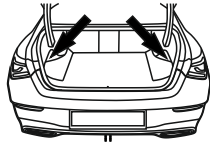
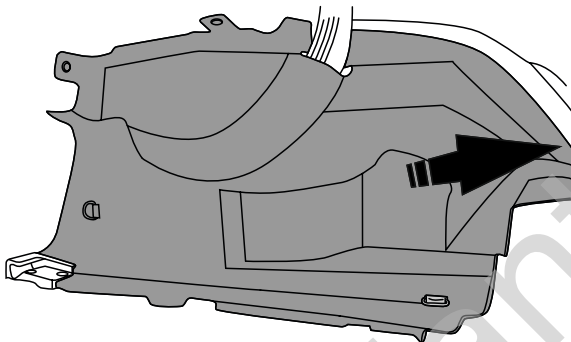
20

CLA Shooting Brake
CLA Shooting Brake
AMG-Line



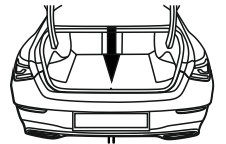
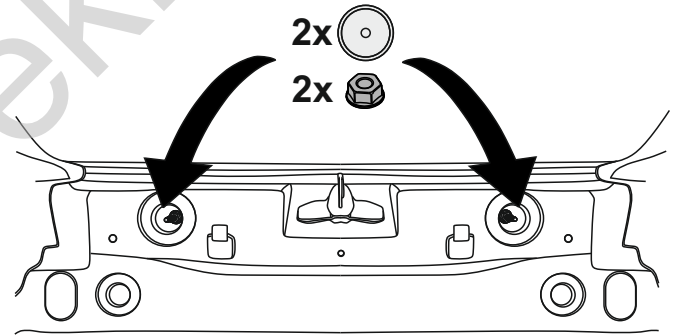
21

CLA Coupe
CLA Coupe AMG-Line

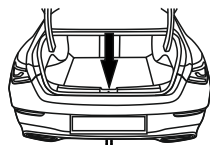
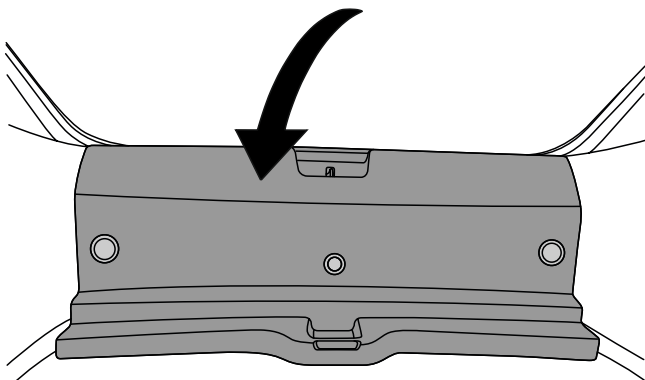


22

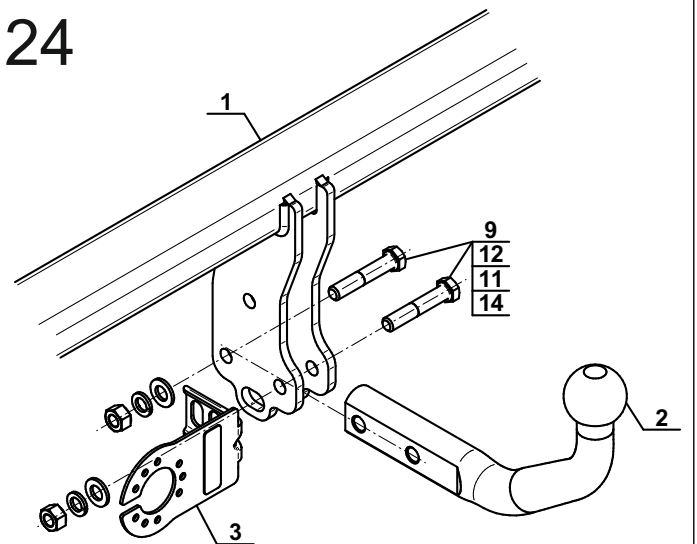
2x
2x



23



24

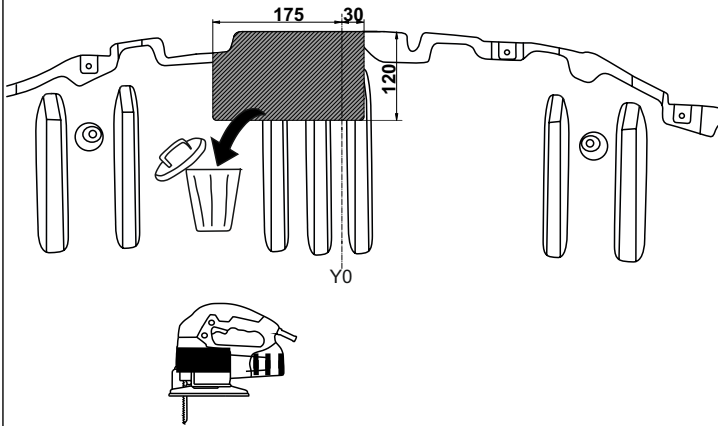


OPTION

1

CLA Coupe
CLA Shooting Brake

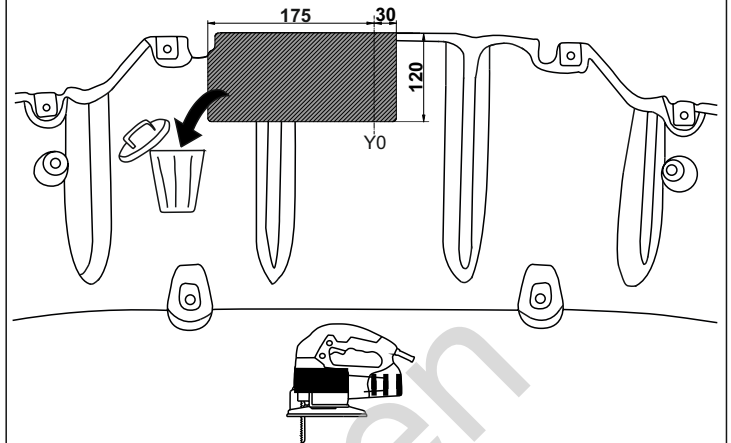
(mm)



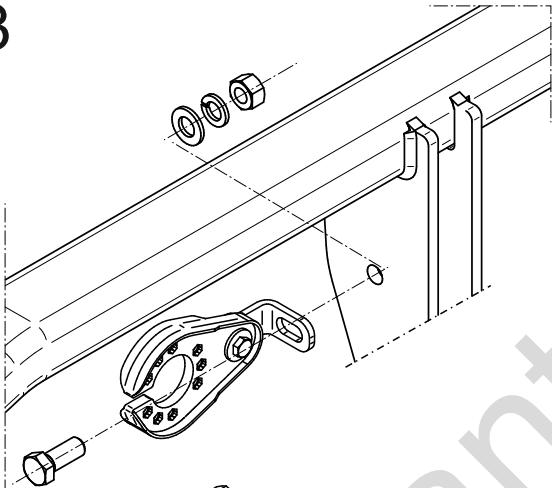
2





CLA Coupe AMG-Line
CLA Shooting Brake
AMG-Line

(mm)



3



- | | | | | | |
|----|---|--------|----|---|-------|
| 1x |  | M12x35 | 1x |  | Ø12,2 |
| 1x |  | Ø13,0 | 1x |  | M12 |