

AUTO-HAK Sp. z o.o.

ul. Słoneczna 16K 76-200 SŁUPSK
POLAND

tel/fax +48 59 8 414 414; +48 59 8 414 413

e-mail: office@autohak.com.pl

www.autohak.com.pl



AUTO-HAK

MAZDA 6 4D

(GJ)

⌚ 02.2013 → 07.2018

(GL)

⌚ 08.2018 →

Cat. no:

M61A

E20

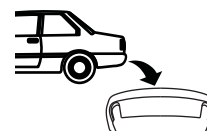
E20-55R-01 3660



2h

D

10,10 kN

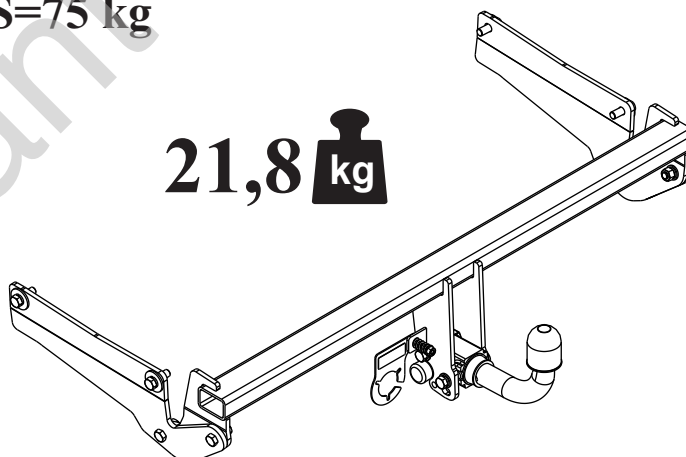


R=1800 kg



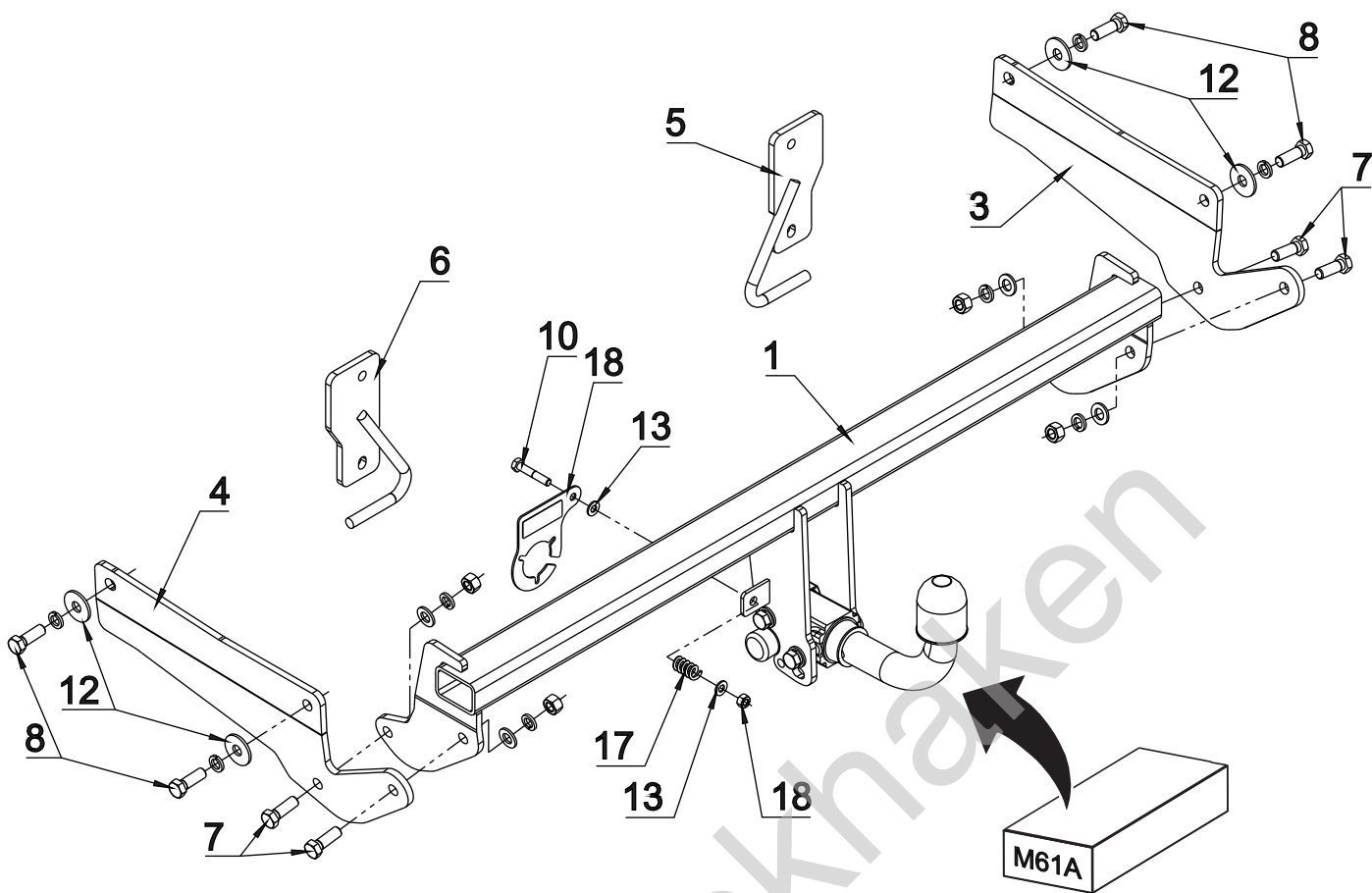
S=75 kg

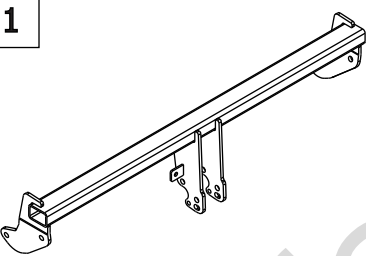

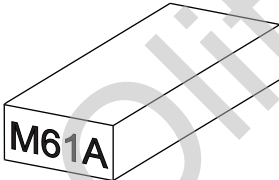

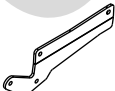

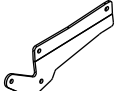
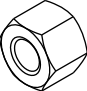
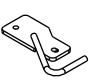
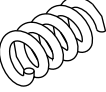


21,8 kg

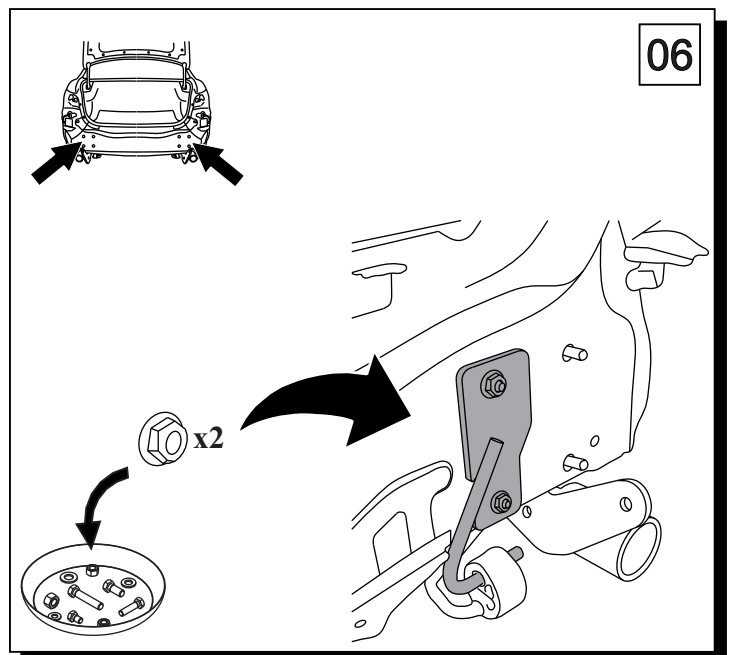
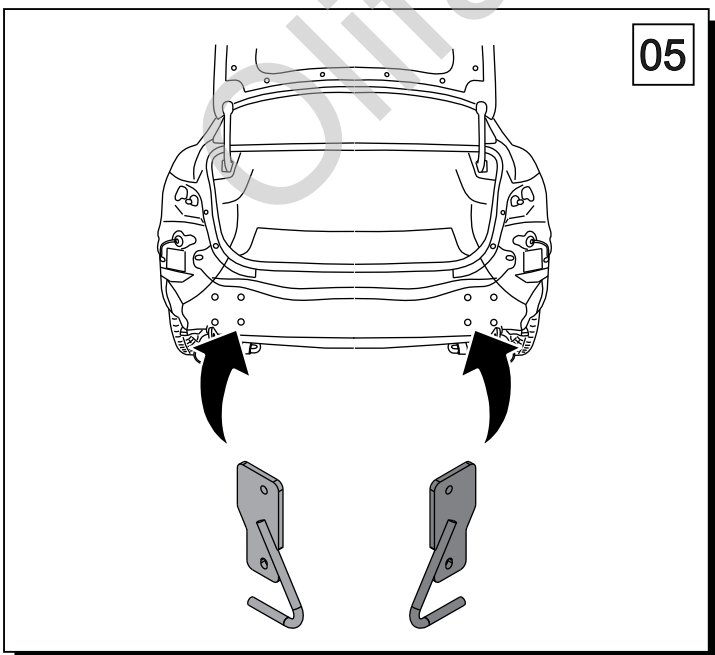
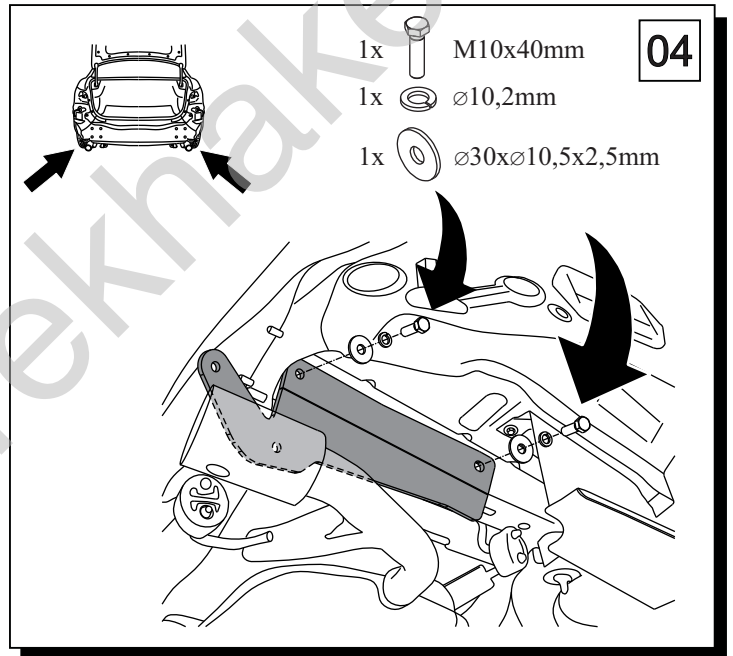
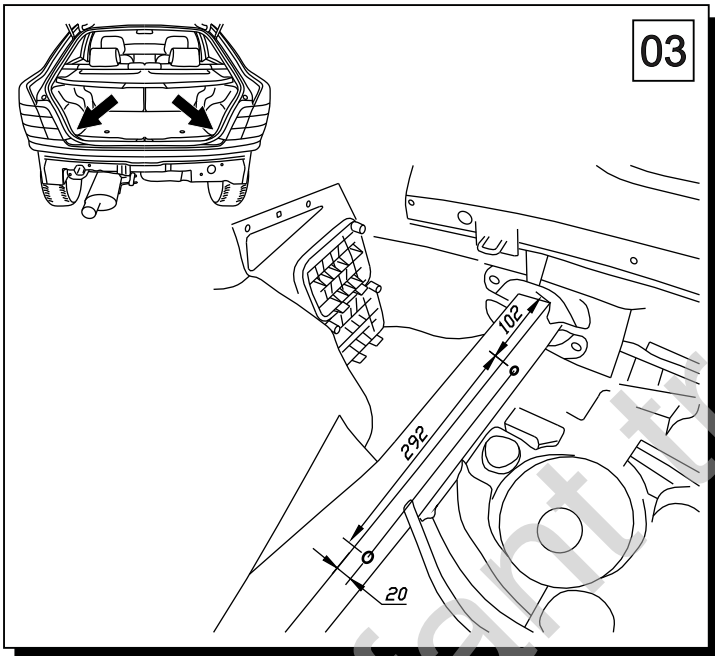
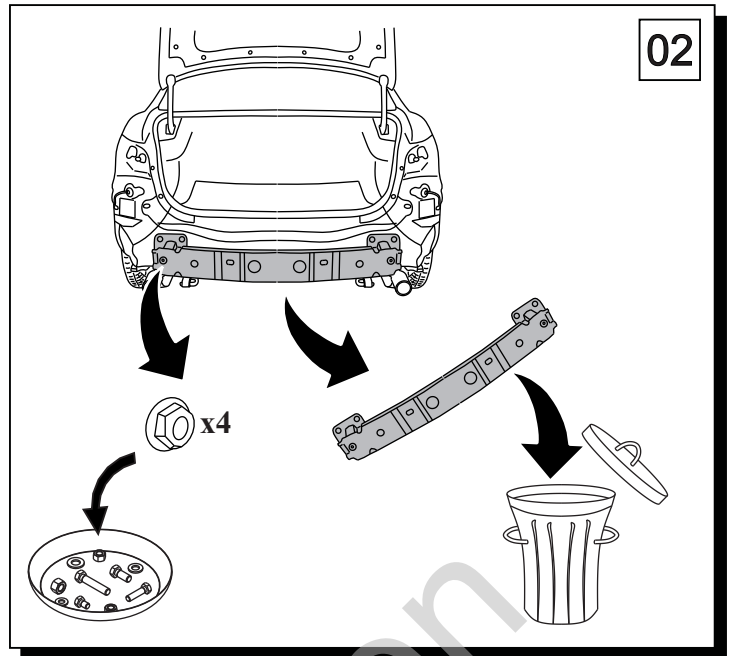
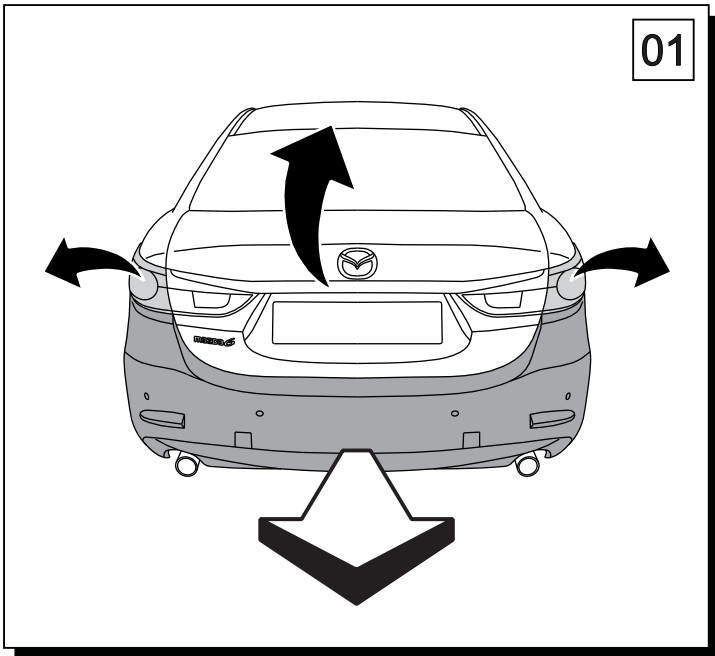


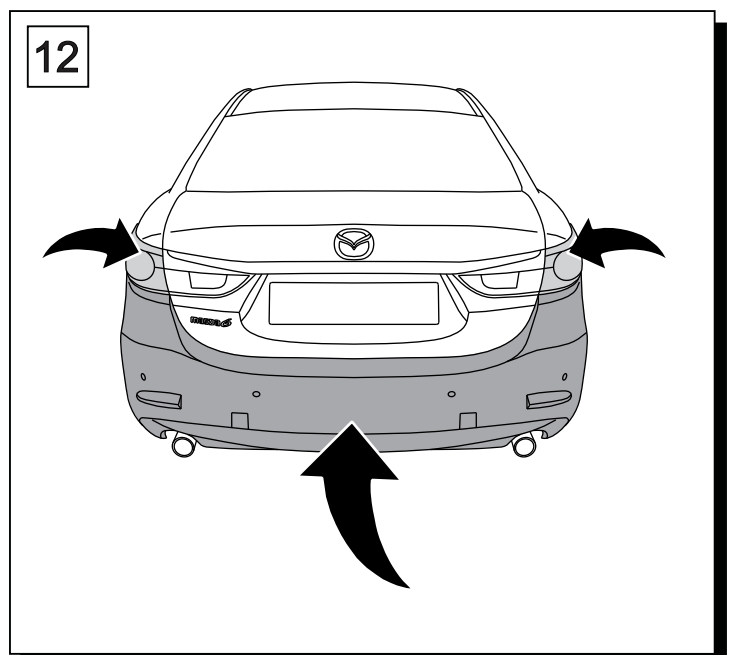
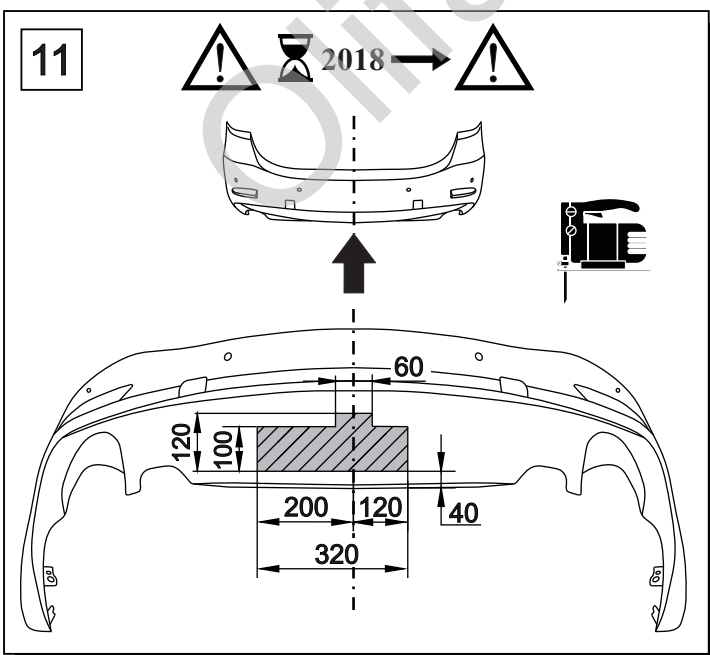
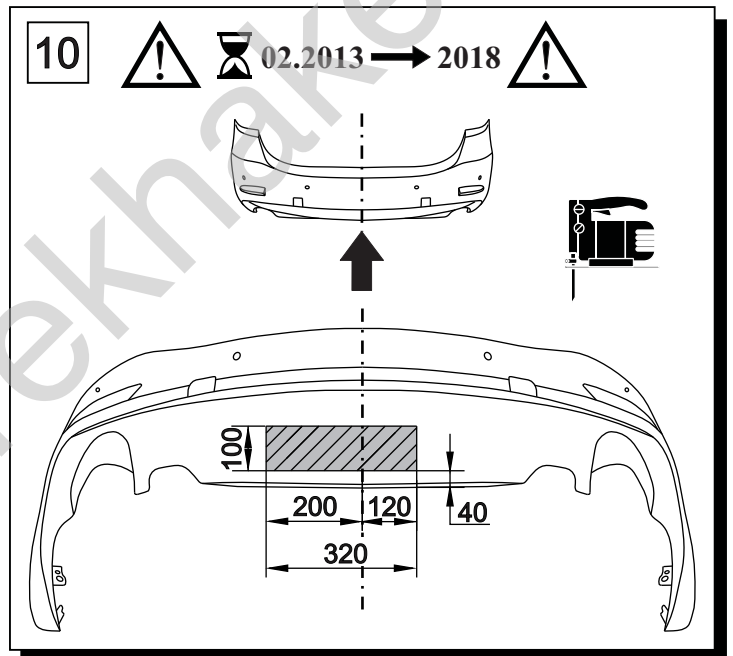
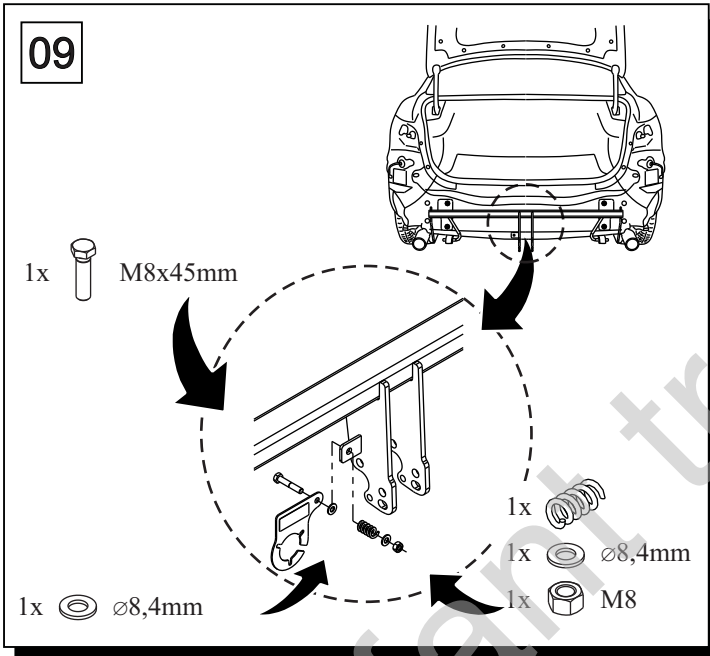
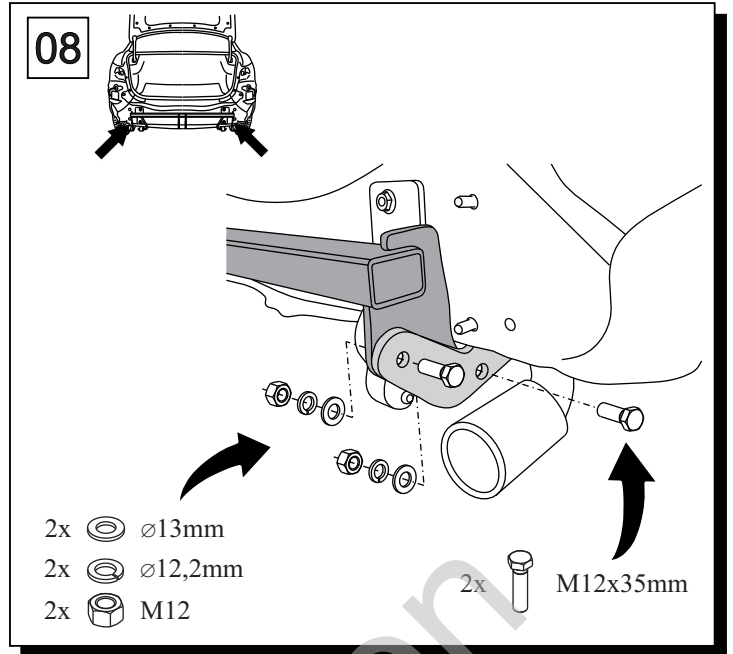
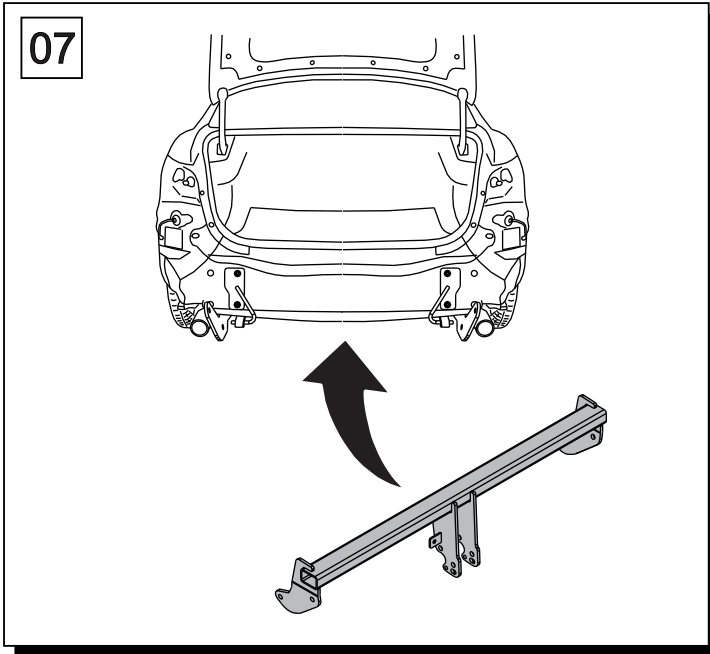
śruba	Nm	M6	M8	M10	M12	M14	M16
klasa 8.8		9,9	24	48	83	132	200
klasa 10.9		14	34	67	117	185	285

⌚ 0 km → ⌚ 1000 km

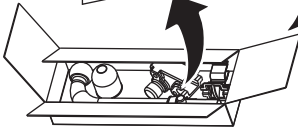
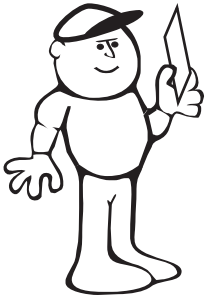
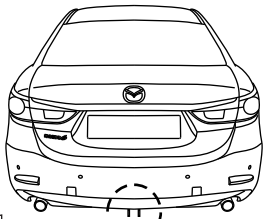
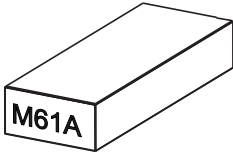


1		x 1		7	M 12x35	x 4
				8	M 12x1,25x35	x 4
2		x 1		9	M 12x25	x 4
				10	M 8x45	x 1
				11	∅ 13	x 6
				12	∅ 37x∅13x3 13 (DIN 9021)	x 4
3		x 1		13	∅ 8,3	x 2
				14	∅ 12.2	x 12
4		x 1		15	M 12	x 4
				16	M 8	x 1
5		x 1	17		x 1	
6		x 1			18	
			Art.nr-BL1M61A			





13



Olifant trekhaken