

AUTO-HAK Sp. z o.o.

ul. Słoneczna 16K 76-200 SŁUPSK
POLAND

tel/fax +48 59 8 414 414; +48 59 8 414 413

e-mail: office@autohak.com.pl

www.autohak.com.pl



AUTO-HAK

KIA PROCEED (Shooting Brake) GT oraz GT-Line

Nr kat.

T81



01.2019 →



E20-55R-01 5639



2h



8,41 kN

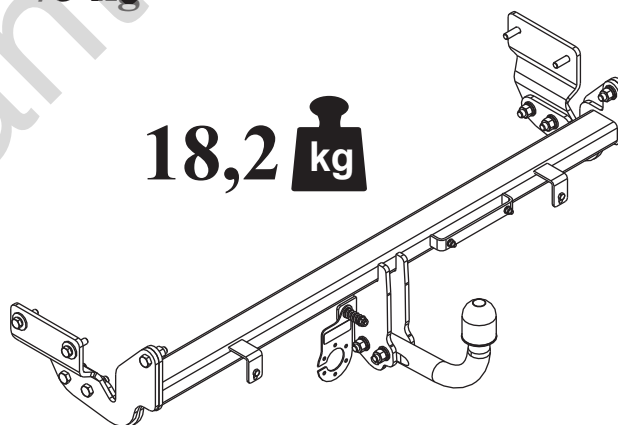


R=1500 kg



S=75 kg

18,2 kg



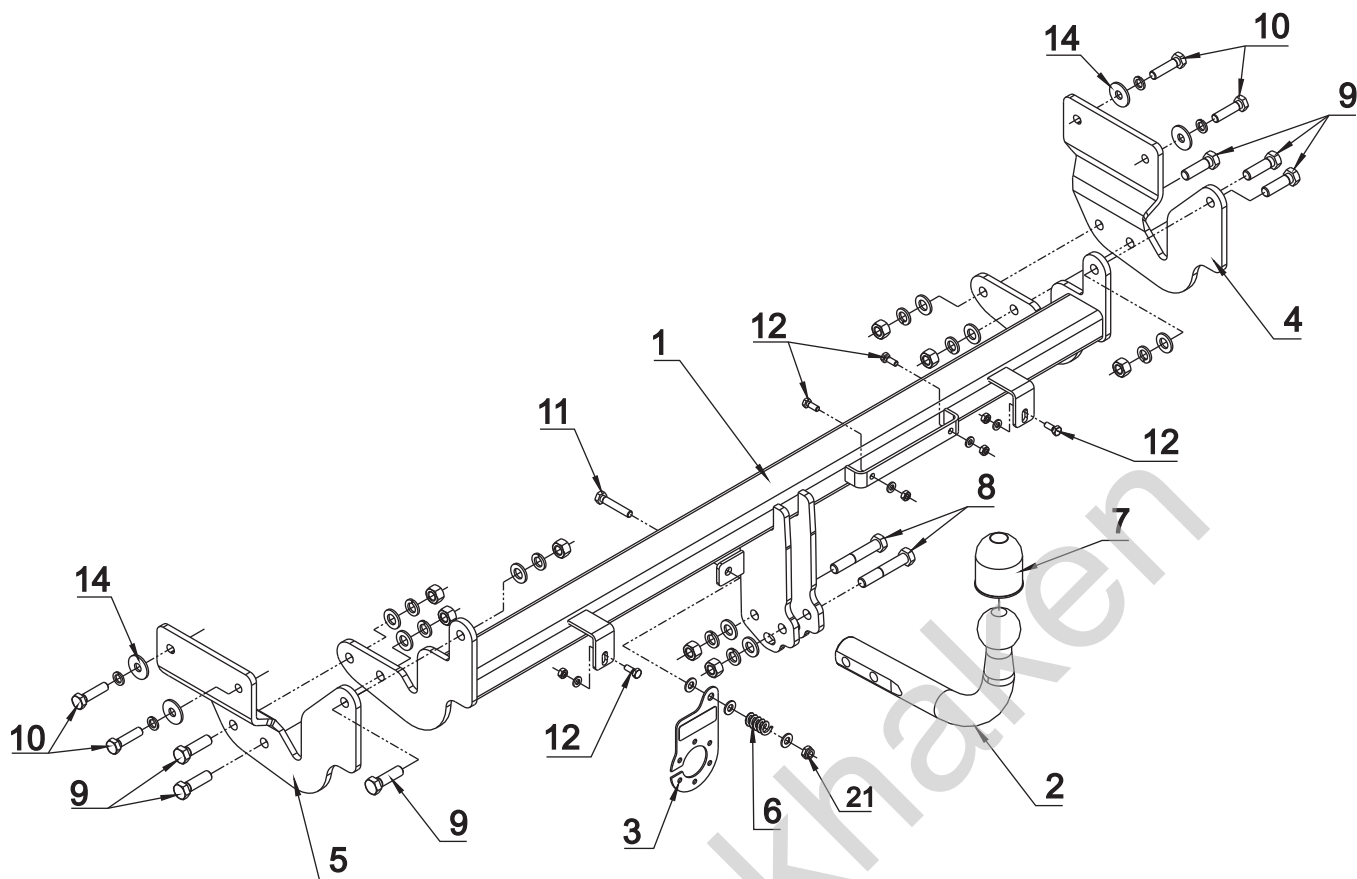
śruba	Nm	M6	M8	M10	M12	M14	M16
klasa 8.8		9,9	24	48	83	132	200
klasa 10.9		14	34	67	117	185	285

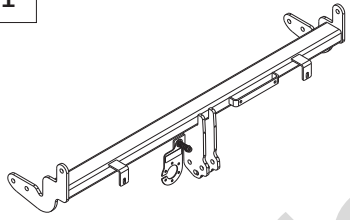

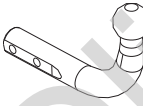
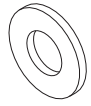
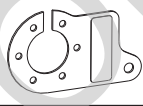
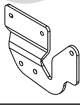
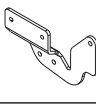

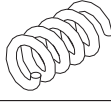
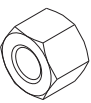

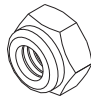


0 km →

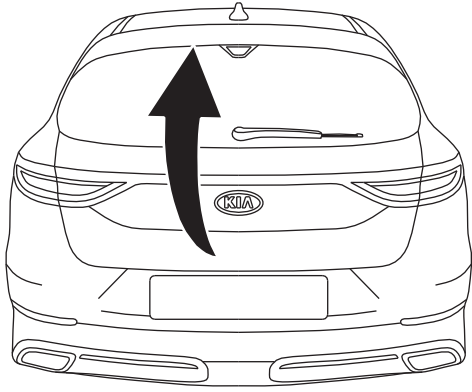


1000 km

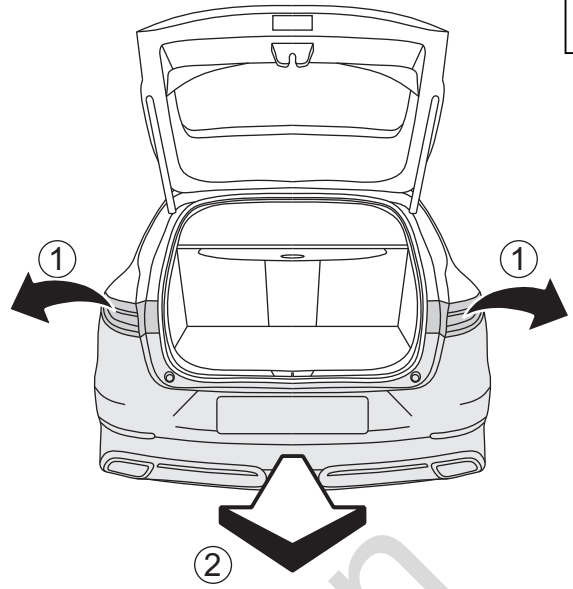


1		x 1		8 M12x70	x 2
				9 M12x40	x 6
				10 M10x1.25x40	x 4
				11 M8x45	x 1
				12 M6x16	x 4
2		x 1		13 \varnothing 13	x 8
	Art.nr-KL1T81			14 \varnothing 30x \varnothing 10.5x2.5	x 4
3		x 1		10 DIN 9021	
	Art.nr-BL25T81			15 \varnothing 8.4	x 3
4		x 1		16 \varnothing 6.4	x 4
5		x 1		17 \varnothing 12.2	x 8
				18 \varnothing 10.2	x 4
6		x 1		19 M12	x 8
				20 M6	x 4
7		x 1		21 M8 (DIN985)	x 1

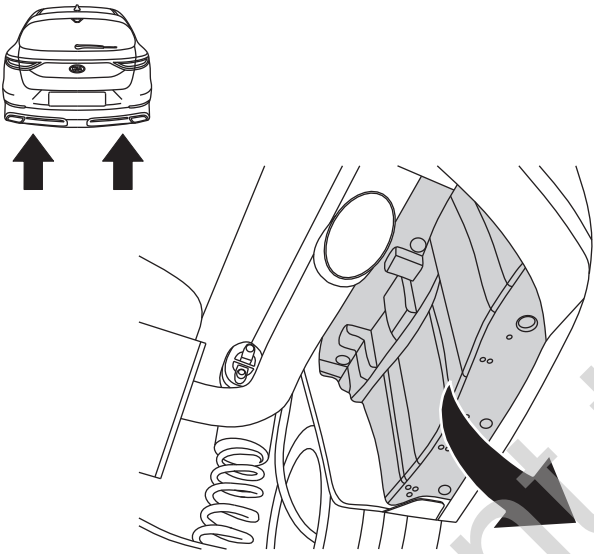
01



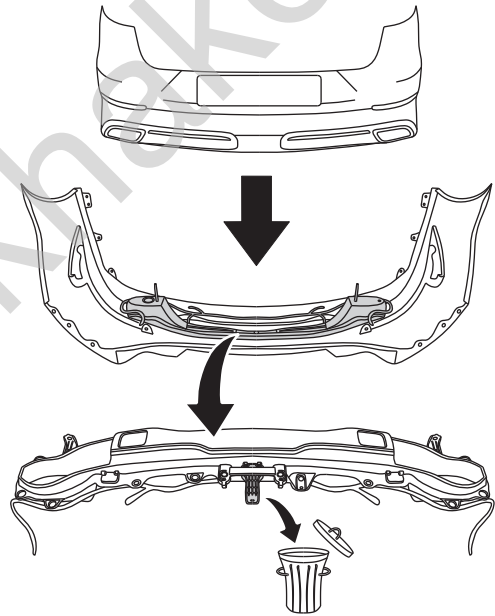
02



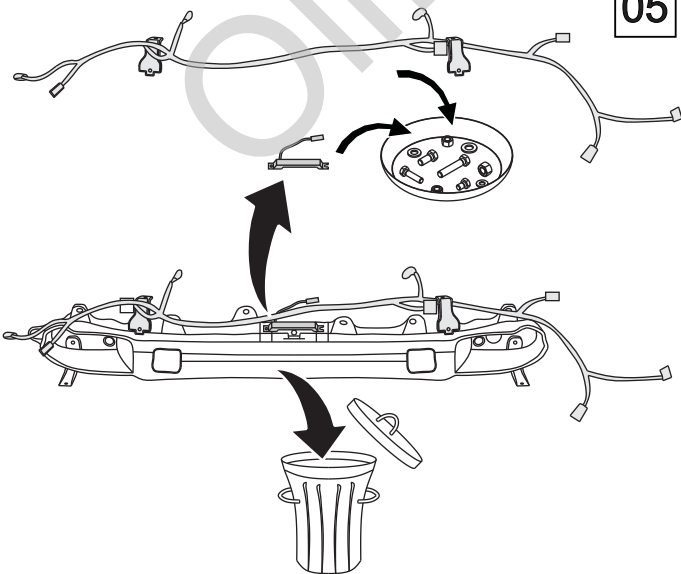
03



04



05



06

