

AUTO-HAK Sp. z o.o.

ul. Słoneczna 16K 76-200 SŁUPSK  
POLAND

tel/fax +48 59 8 414 414; +48 59 8 414 413

e-mail: [office@autohak.com.pl](mailto:office@autohak.com.pl)

[www.autohak.com.pl](http://www.autohak.com.pl)



**AUTO-HAK**

**KIA  
OPTIMA +PLUG IN HYBRID**

Cat. no:


**T73A**

4 drz.

 01.2016 →

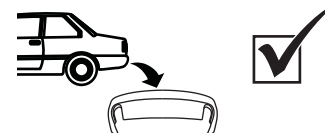
Kombi



 09.2016 →

 **E20** E20-55R-01 4767


 **2h**

**D** 9,91 kN

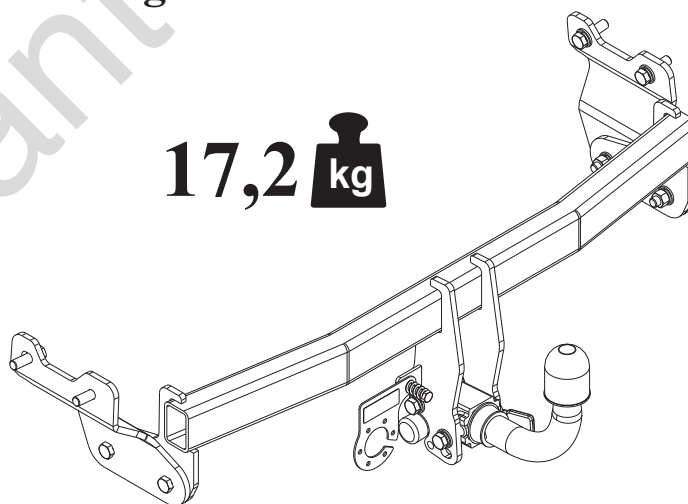



  
 **R=1800 kg**



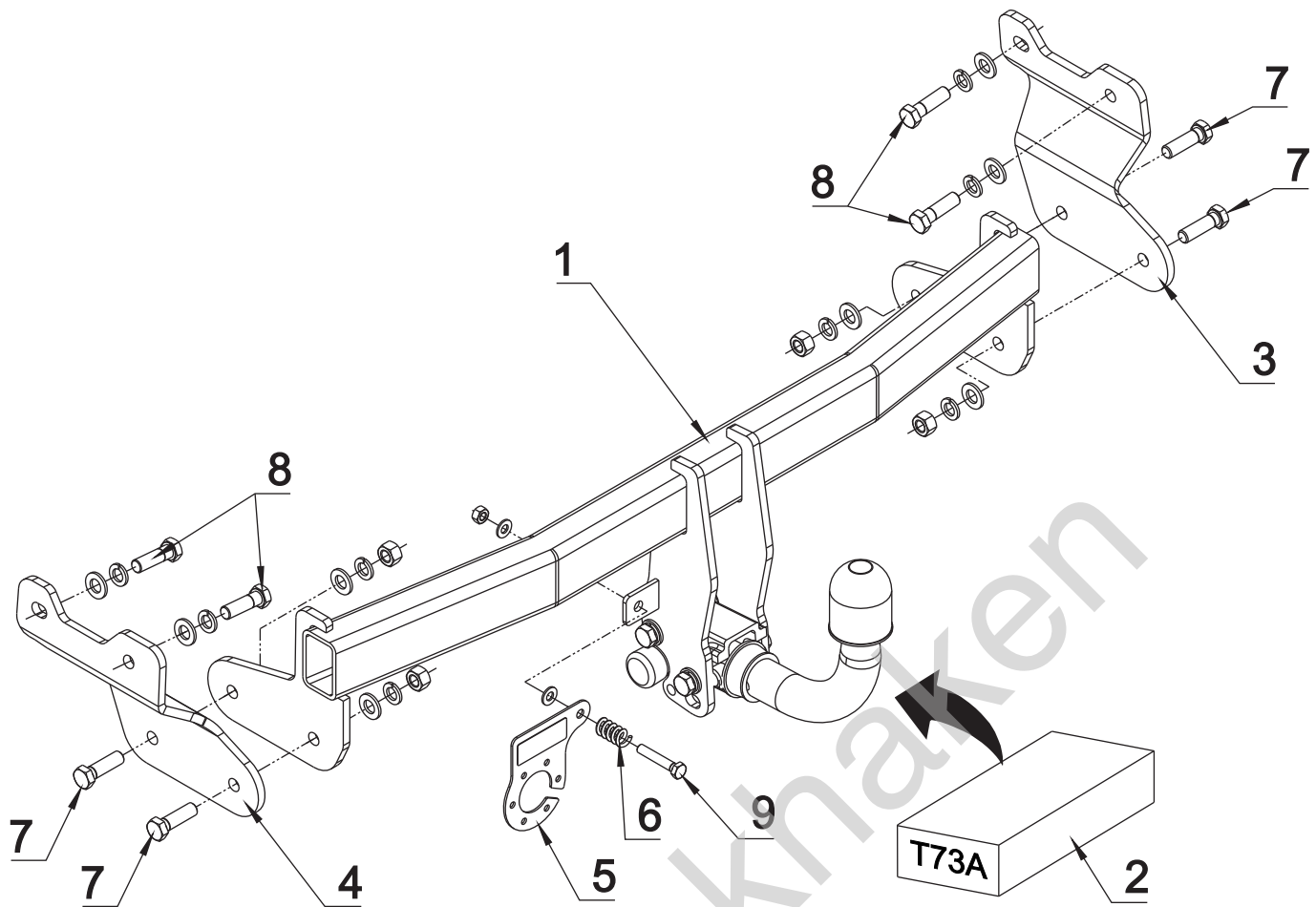
 **S=85 kg**

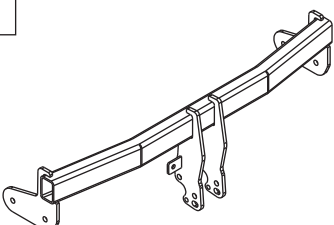

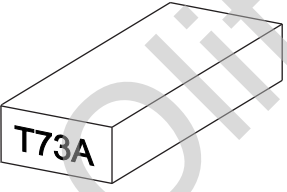

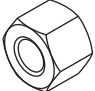



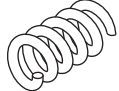
**17,2 kg** 

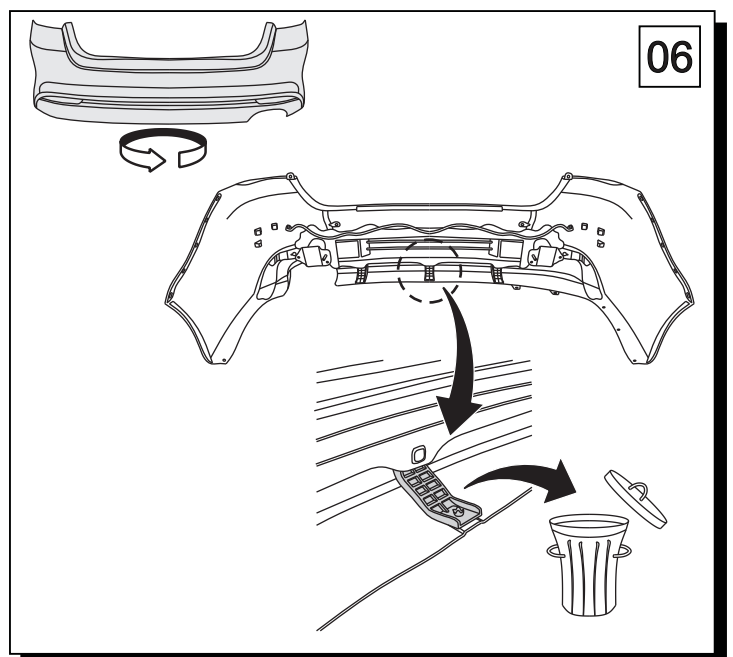
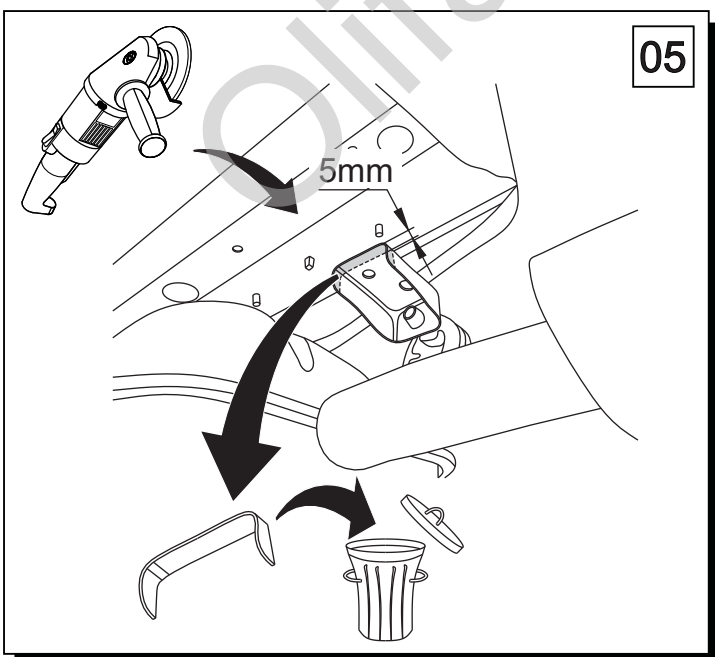
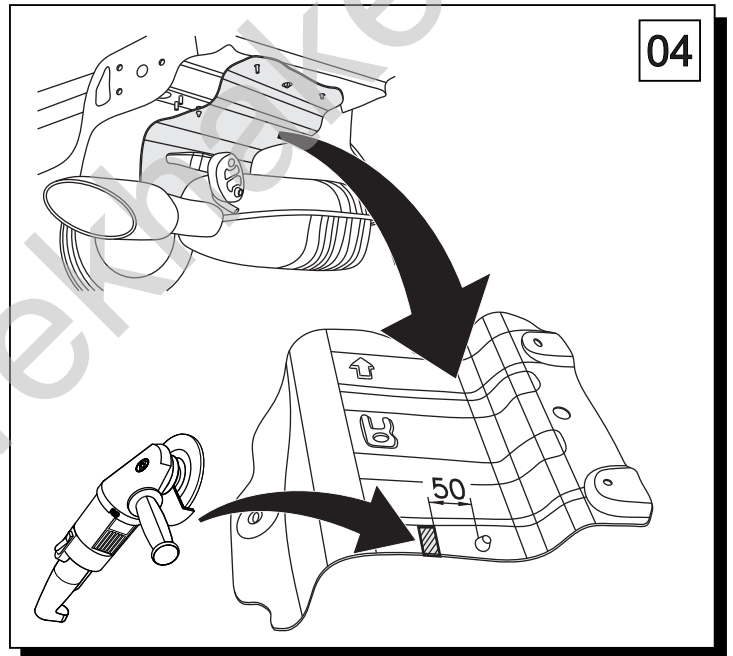
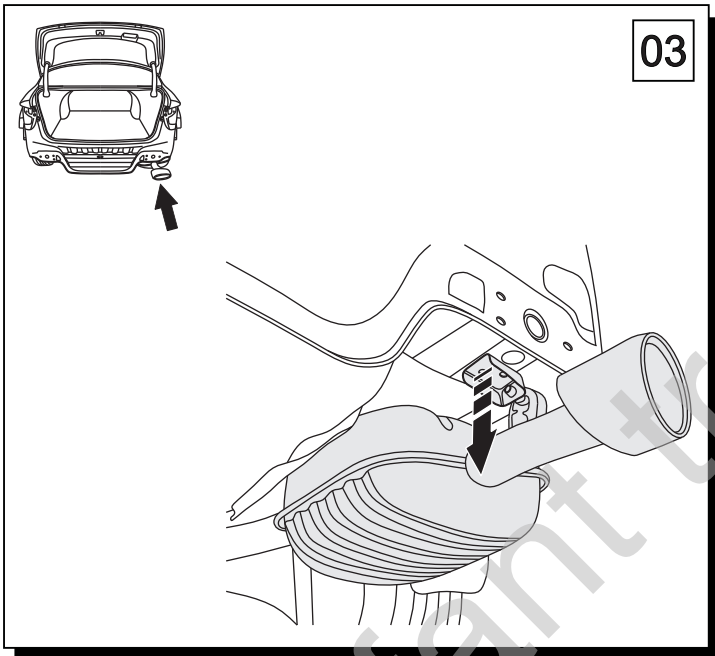
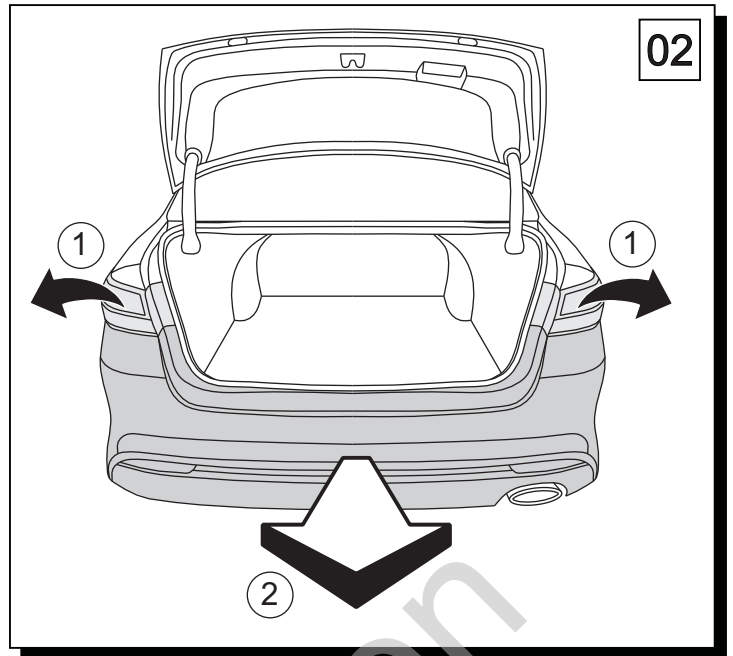
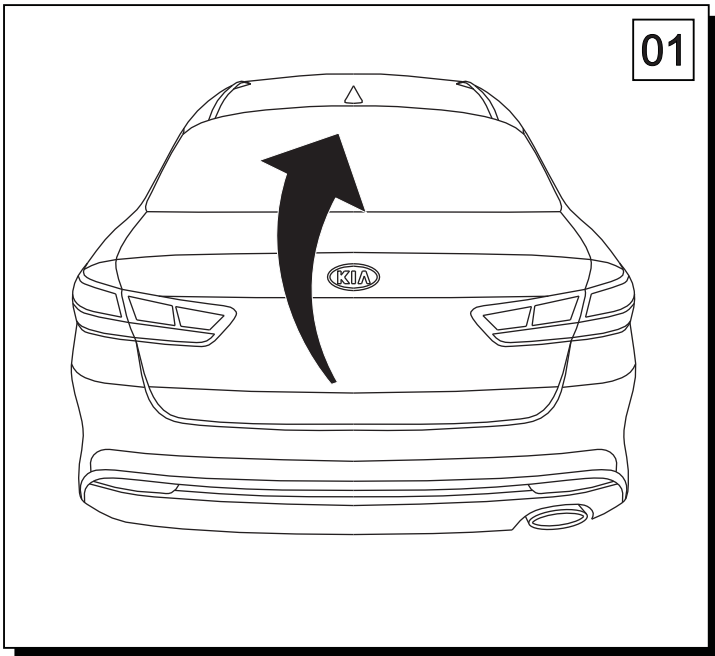


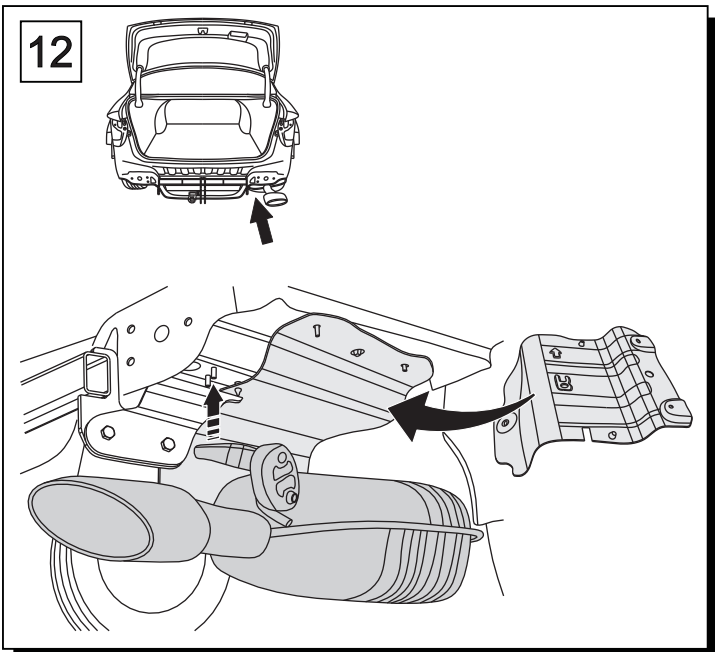
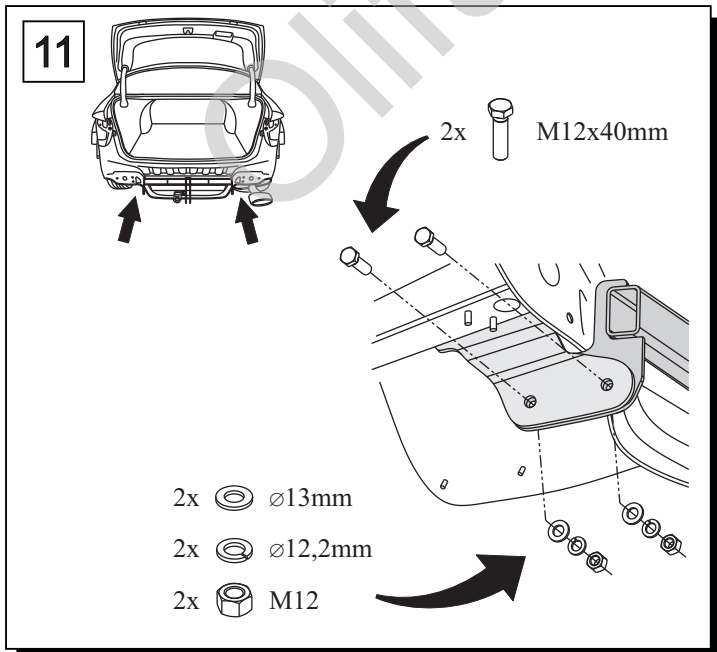
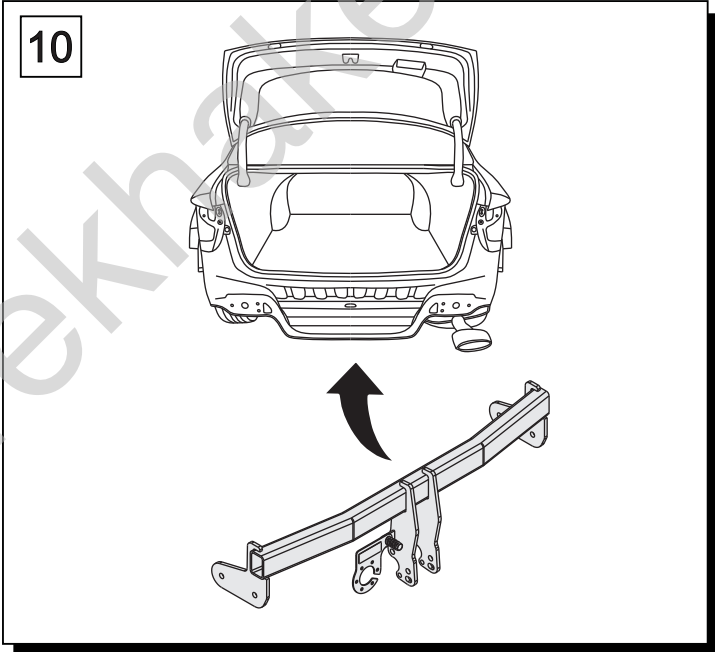
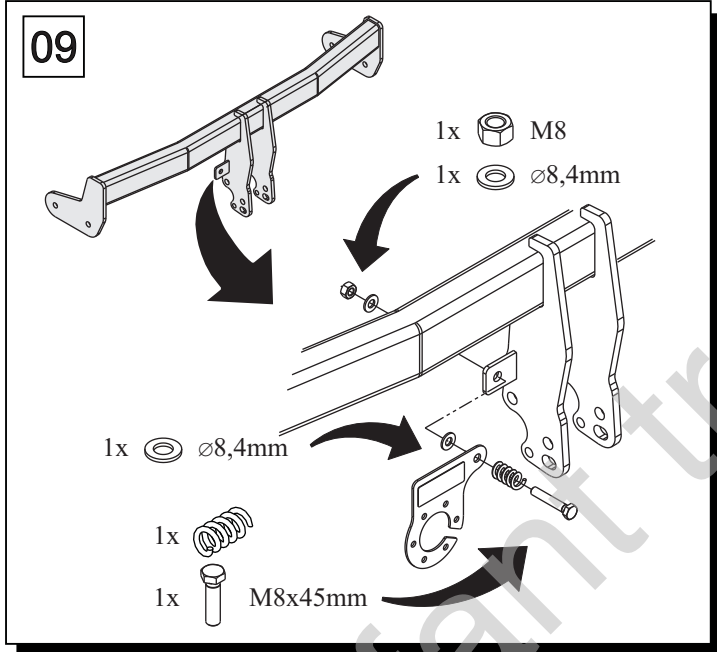
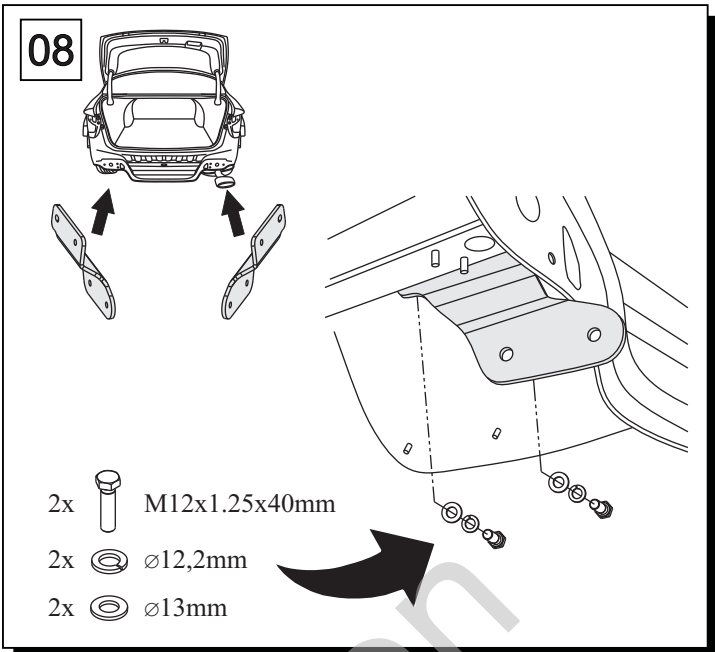
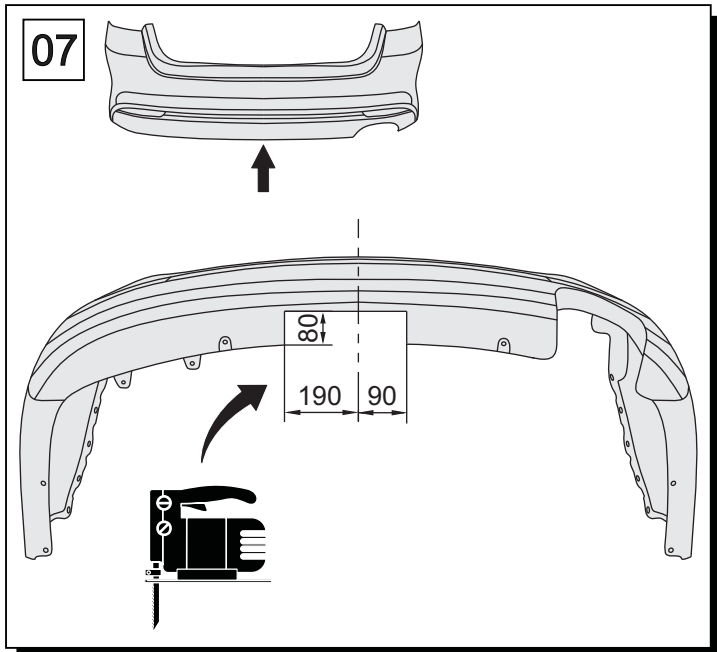
  
M6 - 8,5 Nm      M8 - 20 Nm  
M10 - 41 Nm      M12 - 70 Nm  
M14 - 112 Nm      M16 - 170 Nm

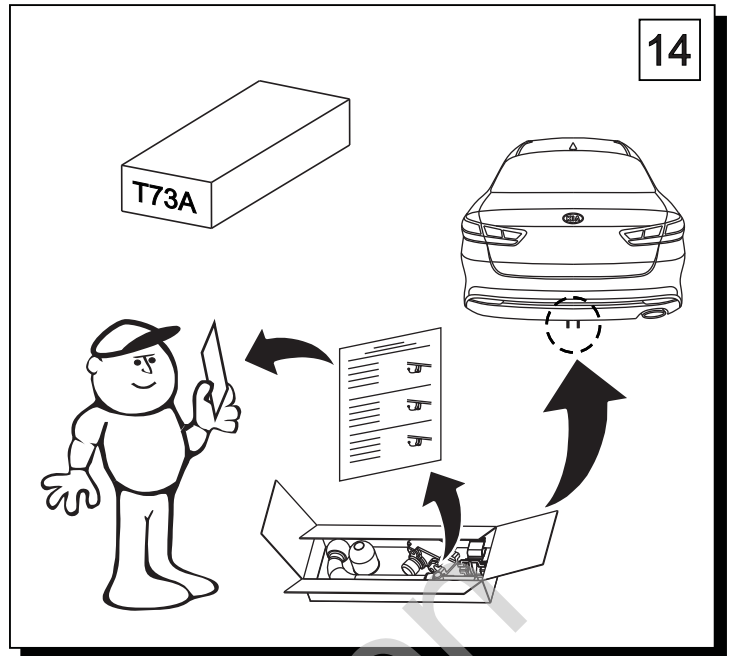
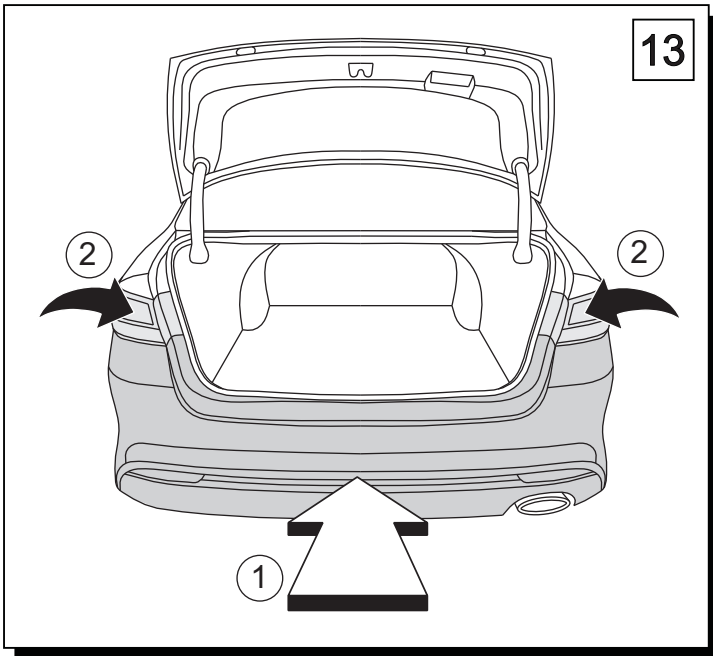
 **0 km** →  **1000 km**



1		x1		7	M12x40	x4	
				8	M12x1.25x40	x4	
				9	M8x45	x1	
				10	∅ 13	x8	
				11	∅ 8.5	x2	
2		x1		12	∅ 12.2	x8	
					13	M12	x4
					14	M8	x1
3		x1					
4		x1					
5		x1					
					Art.nr-BL1T73A		
6		x1					







Olifant trekhakeri