

# AUTO-HAK Sp. z o.o.

ul. Słoneczna 16K 76-200 SŁUPSK  
POLAND

tel/fax +48 59 8 414 414; +48 59 8 414 413

e-mail: [office@autohak.com.pl](mailto:office@autohak.com.pl)

[www.autohak.com.pl](http://www.autohak.com.pl)



# AUTO-HAK

## KIA EV6

A/R, EARTH, GT-LINE, ~~GT~~

Nr kat.

**T86**



08.2021 →



E20\*55R02\*6418



10,0 kN



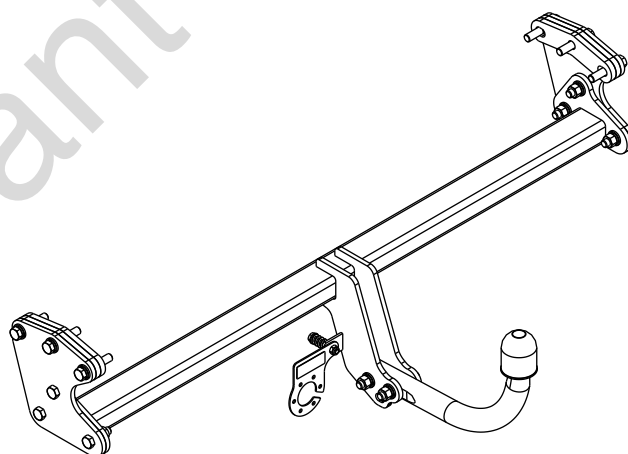
R=1600 kg



S=115 kg



2h



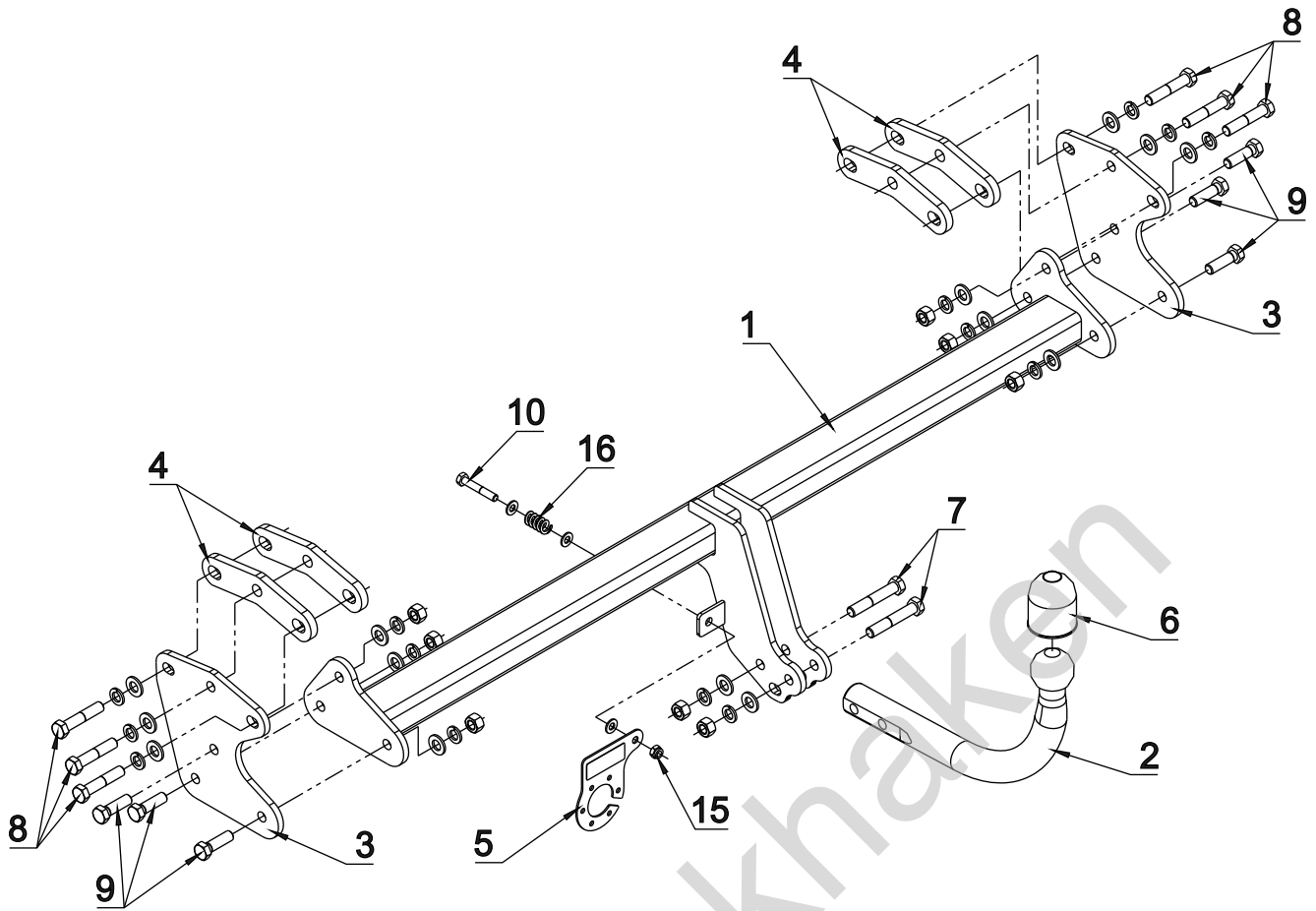
śruba	Nm	M6	M8	M10	M12	M14	M16
klasa 8.8		9,9	24	48	83	132	200
klasa 10.9		14	34	67	117	185	285

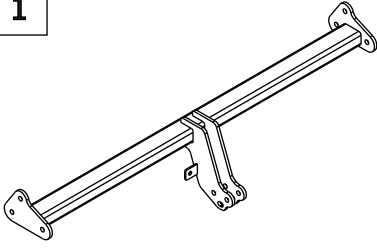

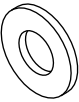
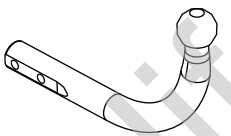

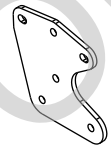
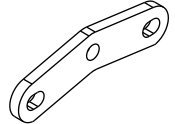
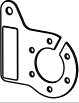
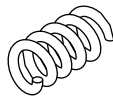
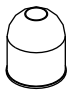


0 km →



1000 km



	x1			7	M12x70	x2			
				8	M12x1,25x60	x6			
				9	M12x40	x6			
				10	M8x50	x1			
					11	∅ 13	x14		
					12	∅ 8.4	x3		
	x1	Art.nr-KL1T86		13	∅ 12.2	x14			
					x2		14	M12	x8
								x4	
	x1	Art.nr-BL12T86	16		x1				
				x1					

