



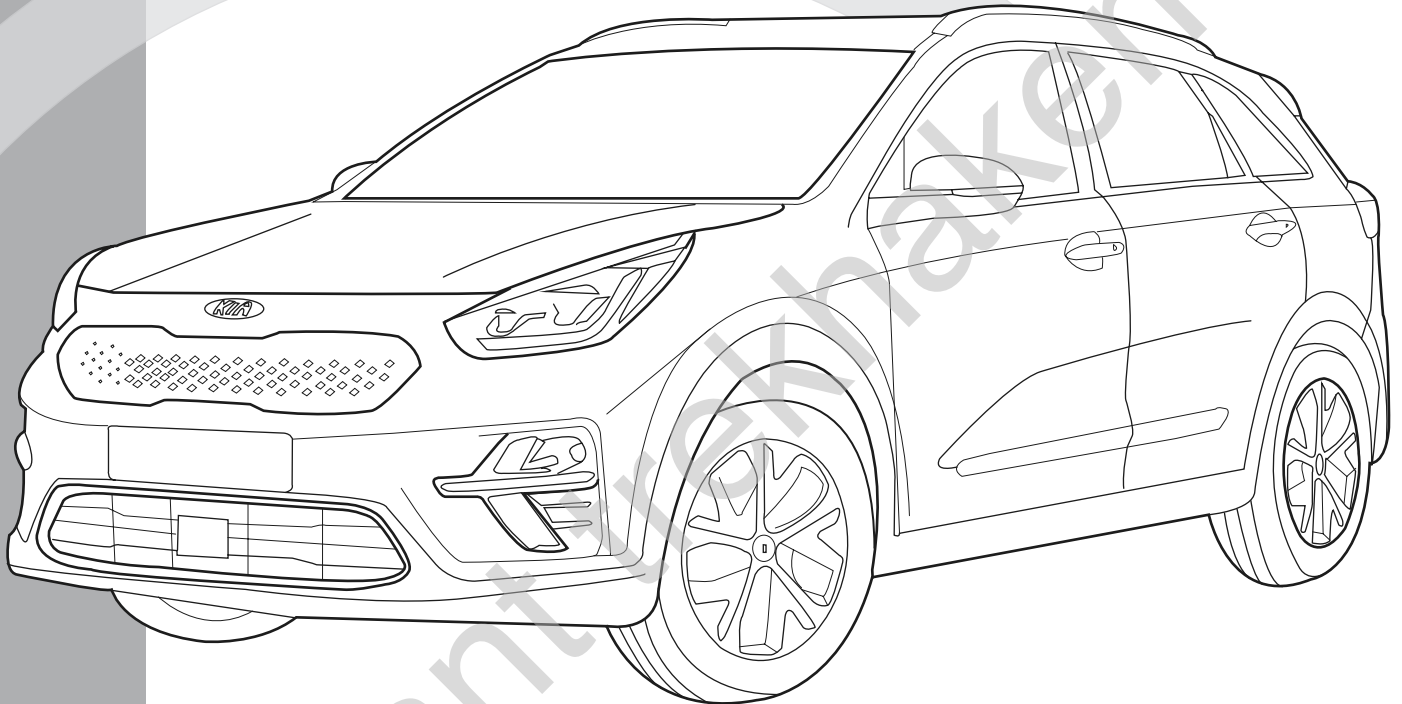
TREKHAKEN • ATTELAGES • ANHÄNGERVORRICHTUNGEN • TOWBARS • ENHANCES • ANHÆNGERTRÆK • GANCI DI TRAINO

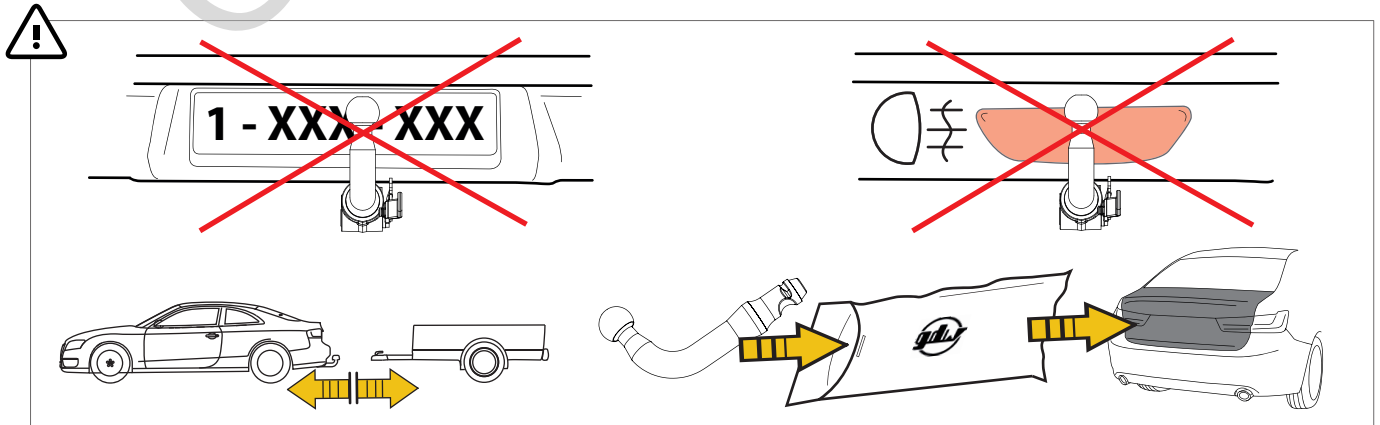
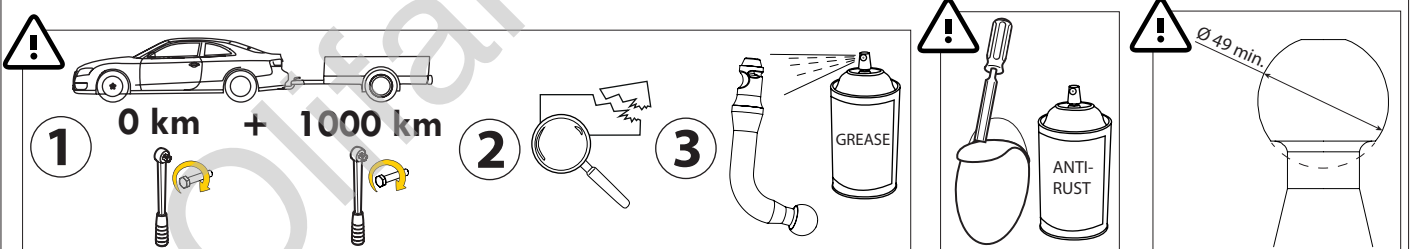
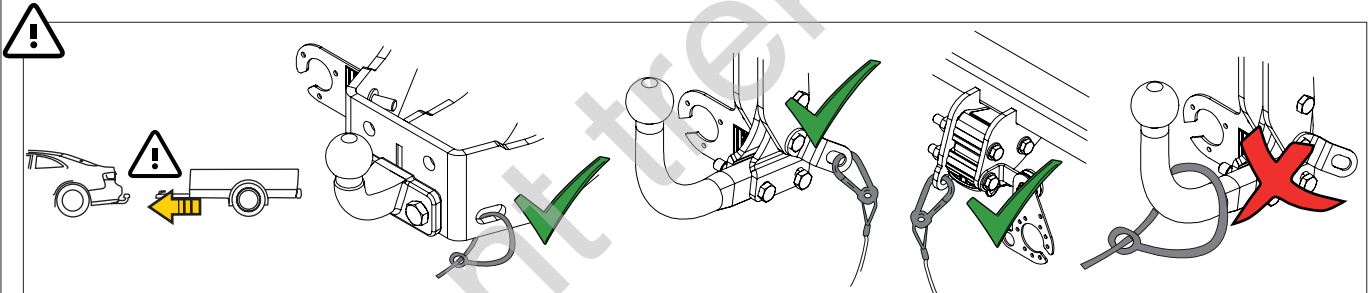
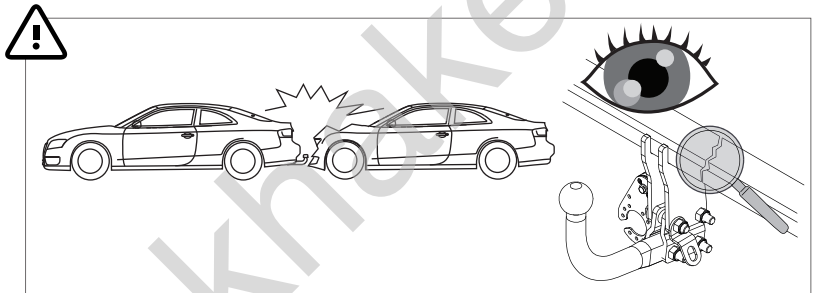
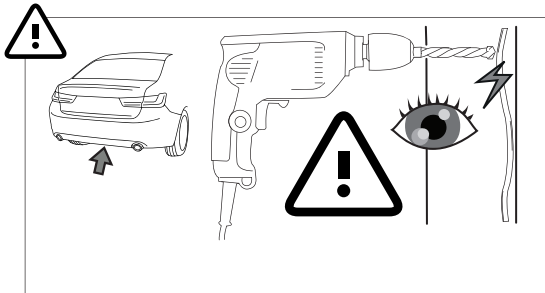
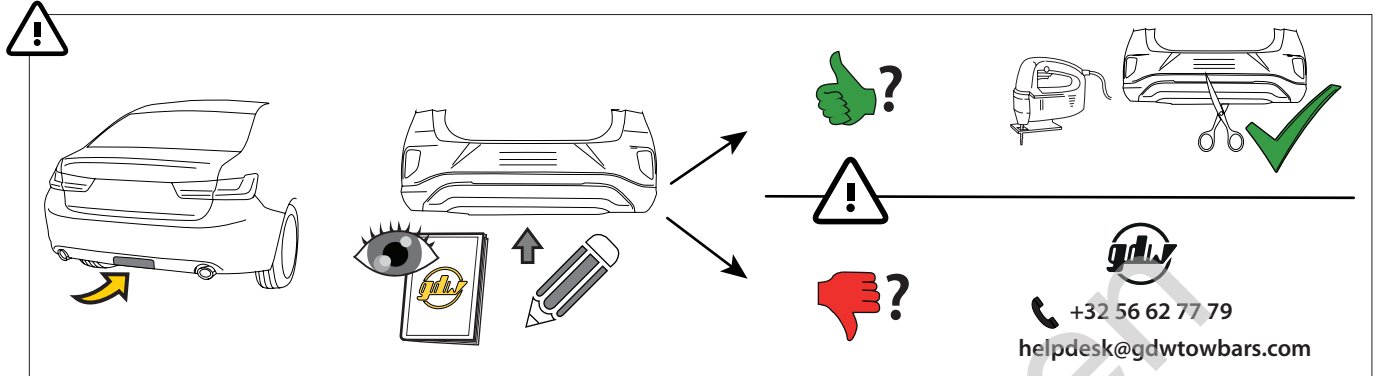
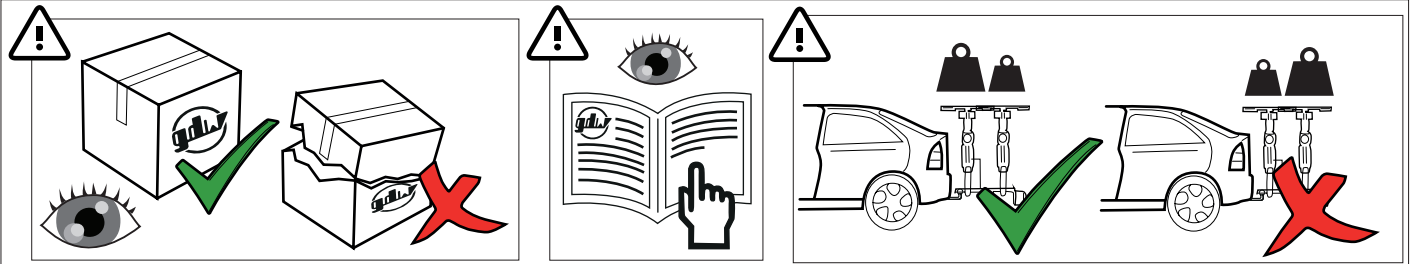
Montagehandleiding | instructions de montage | Einbauanleitung | Mounting instruction
Instrucciones de montaje | monteringsvejledning | istruzioni di montaggio



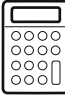



KIA E-Niro

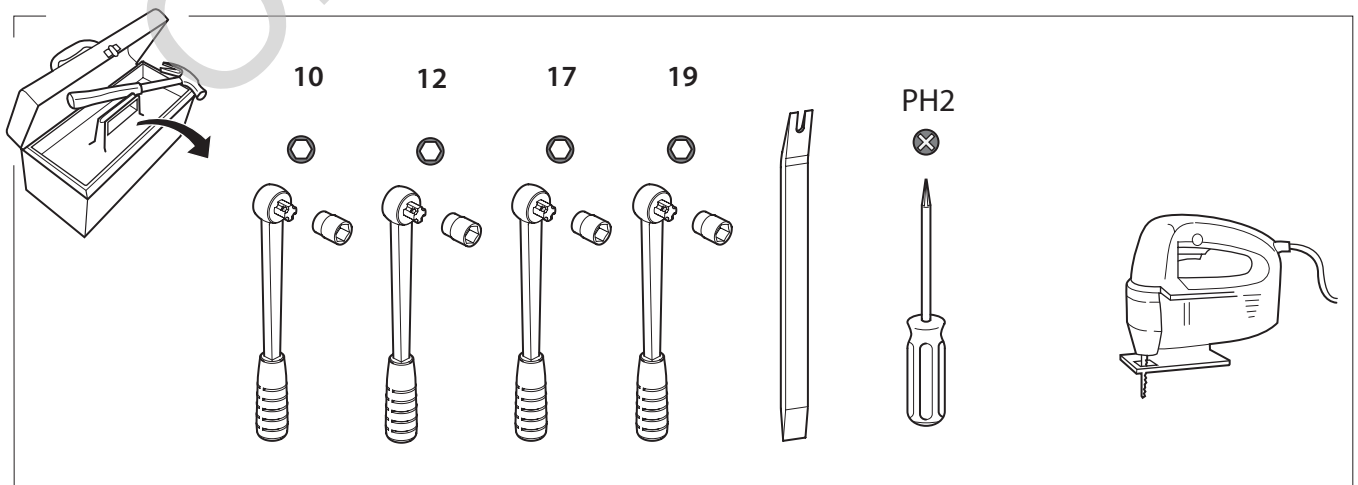
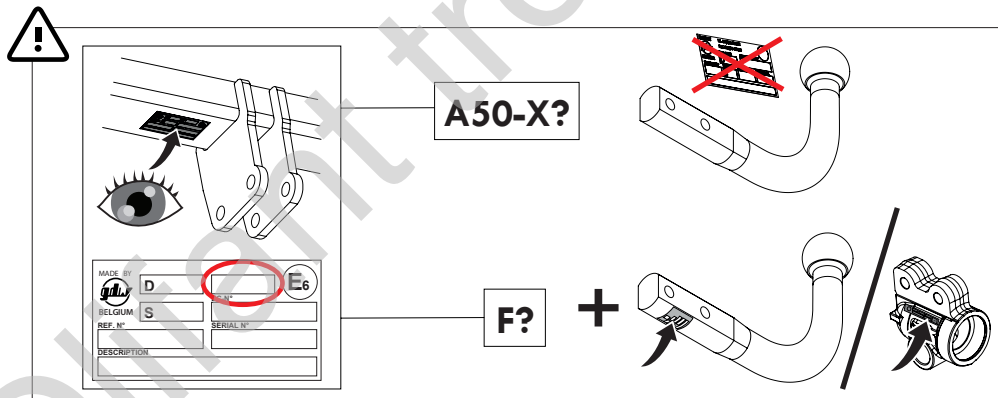
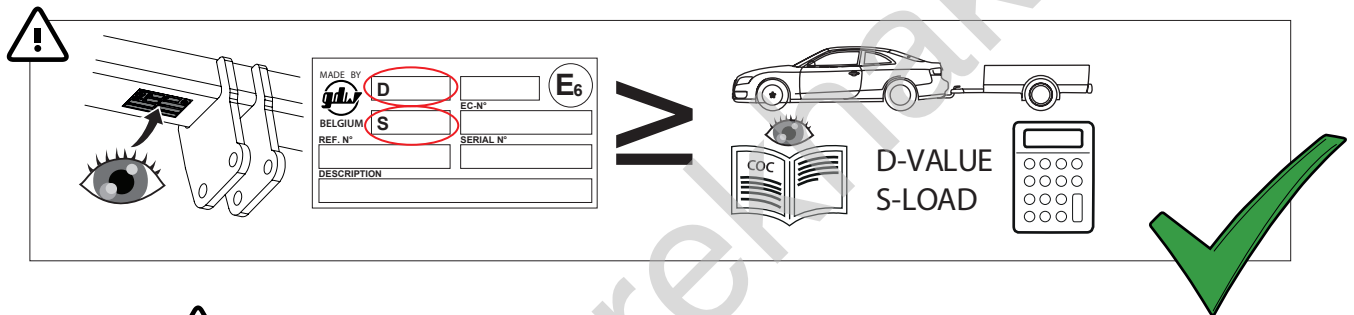
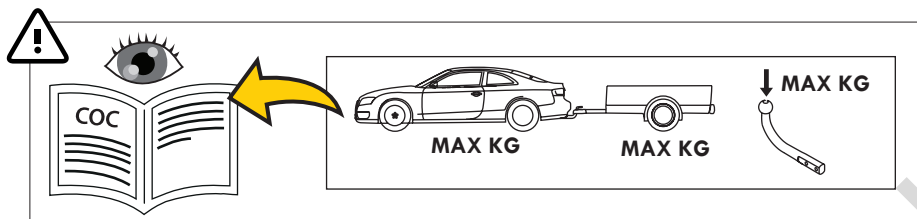
04/'19-

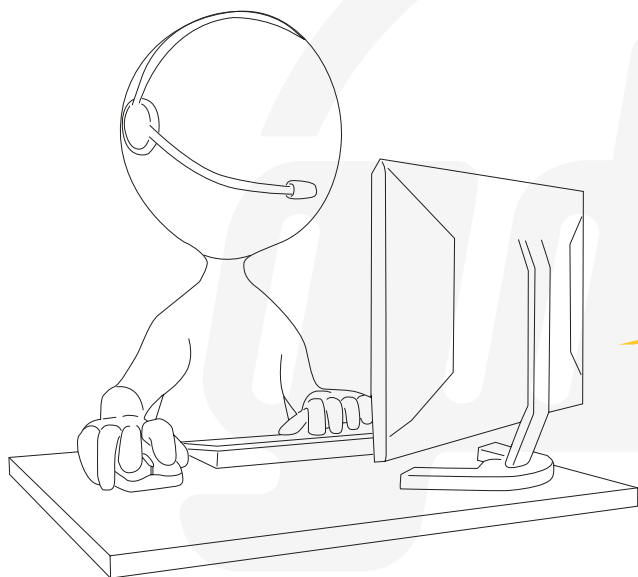




MADE BY  D 5,00	F	E6	 	 $D = \frac{\text{max kg} \times \text{max kg}}{\text{max kg} + \text{max kg}} \times 0.00981 \leq 5,00 \text{ kN}$
BELGIUM S 100	EC-N° 55R-02 1729	SERIAL N° XXXX		
DESCRIPTION Kia E-Niro 04/'19-				

See the Certificate Of Conformity (COC) of your vehicle or contact your dealer to verify the max. trailer weight of your car!

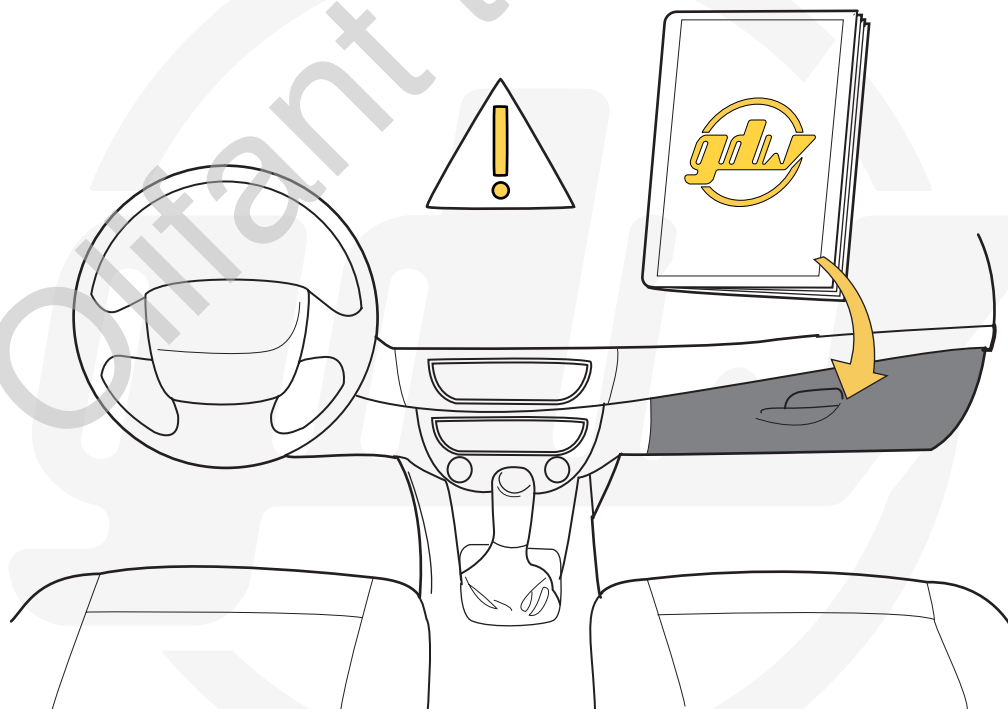


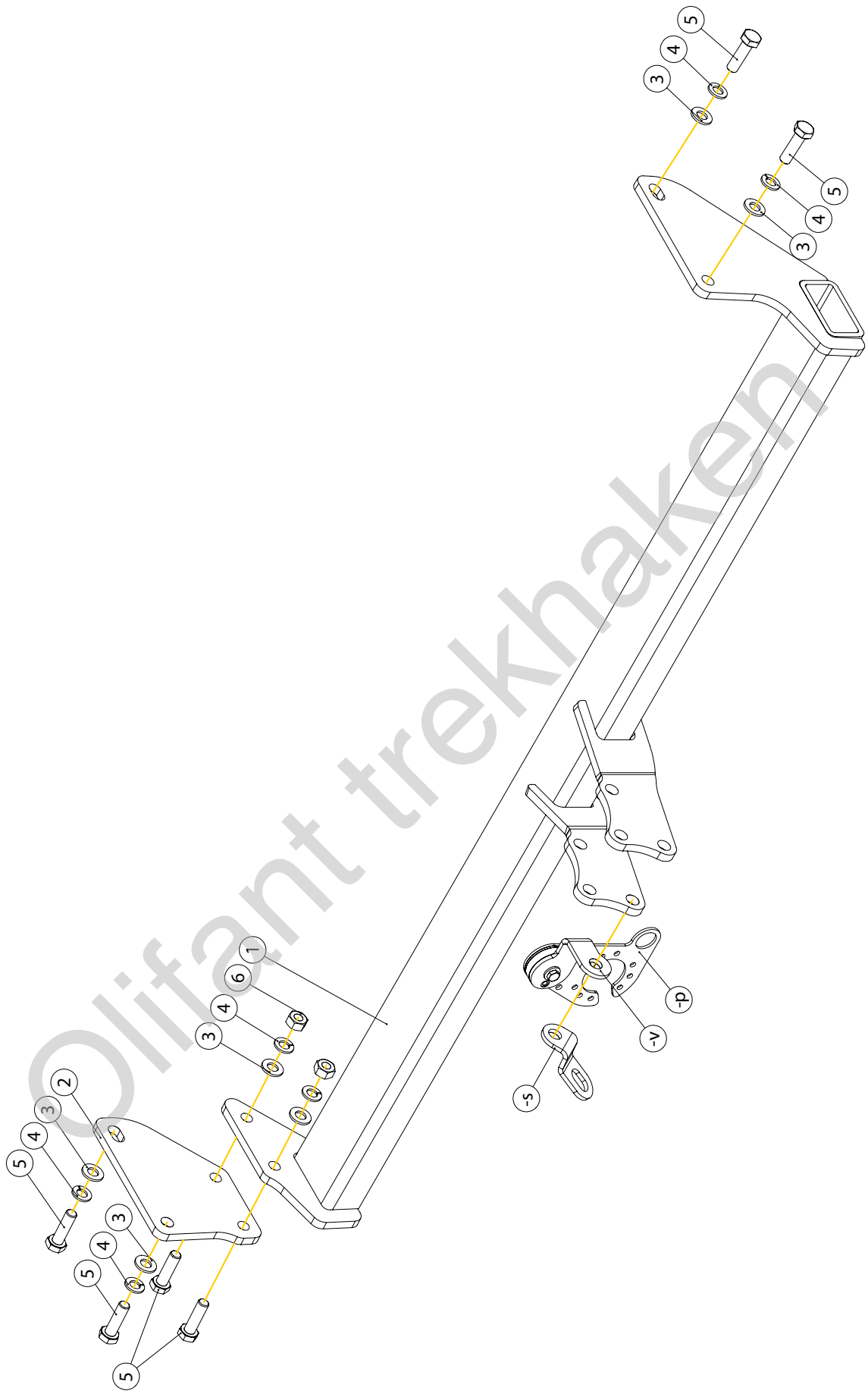


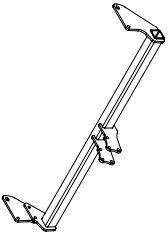
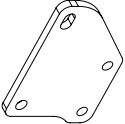






helpdesk@gdwtowbars.com

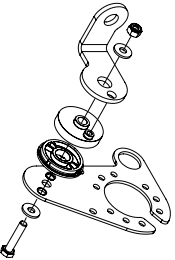




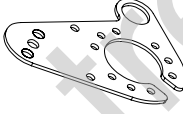


+32 56 62 77 79

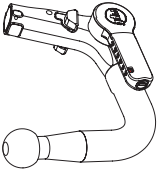

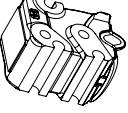


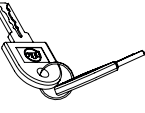

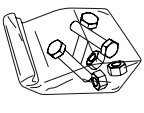



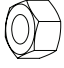
Monday	08:00 - 12:00	12:30 - 16:30
Tuesday	08:00 - 12:00	12:30 - 16:30
Wednesday	08:00 - 12:00	12:30 - 16:30
Thursday	08:00 - 12:00	12:30 - 16:30
Friday	08:00 - 12:00	12:30 - 15:30



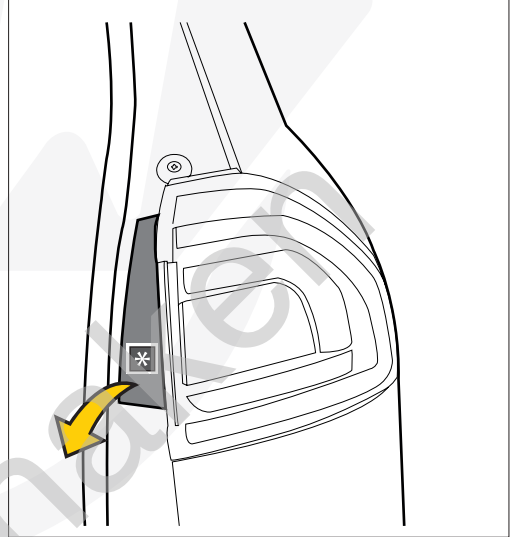
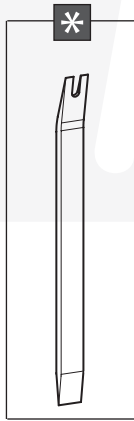
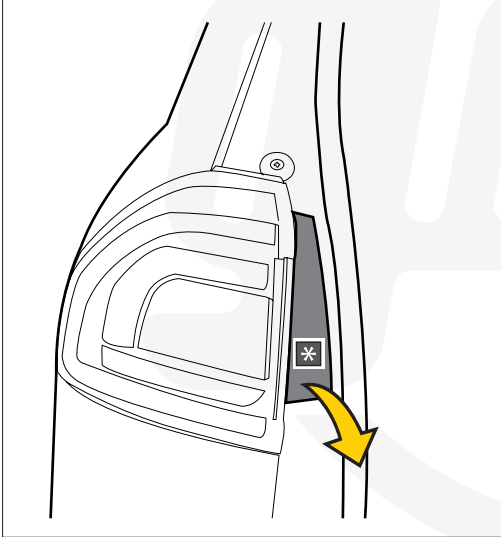
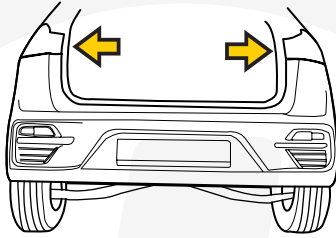


1		X1	GDW REF. 2663T60
2		X1	GDW REF. 2
3		X6	DIN125-A10-14OHV-ELVZ
4		X6	DIN128A-M10
5		X6	DIN961-M10 X 35 X 1.25
6		X2	DIN934-M10 X 1.25
-S		X1	GDW REF. 900.053
-V		X1	GDW REF. 908.095

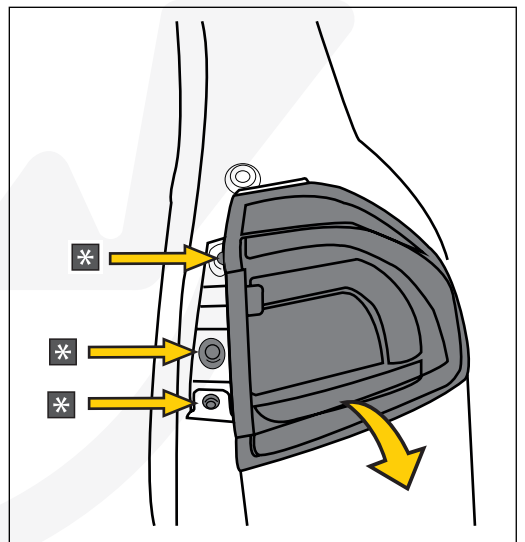
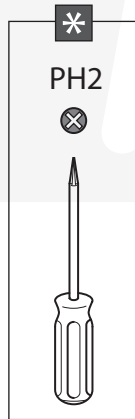
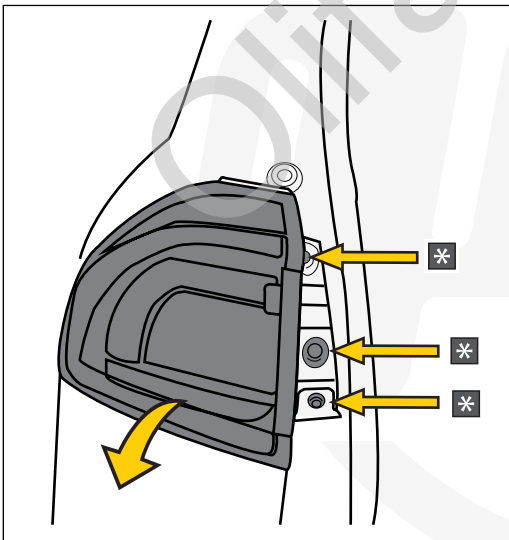
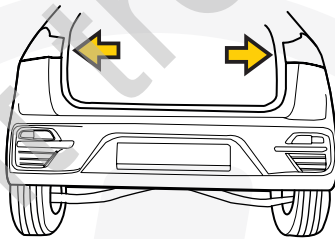
-P		X1	GDW REF. P39
↑		X1	DIN985-M6
↑		X2	6,2 X 15,4 X 1,6 (NYLON)
↑		X1	GDW REF. 718.16.002
↑		X1	GDW REF. 718.16.003
↑		X1	GDW REF. 908.094
↑		X1	DIN933-M6 X 30
↑		X1	GDW REF. 908.095

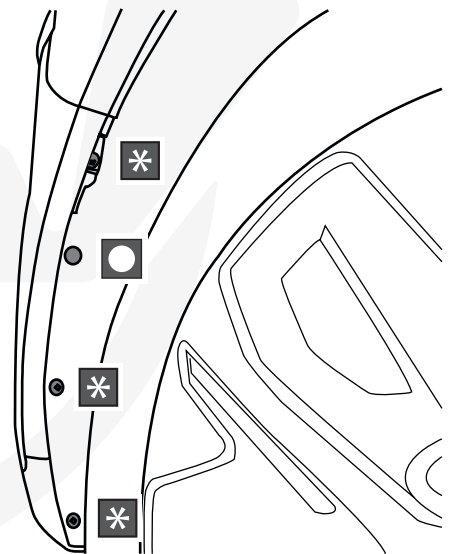
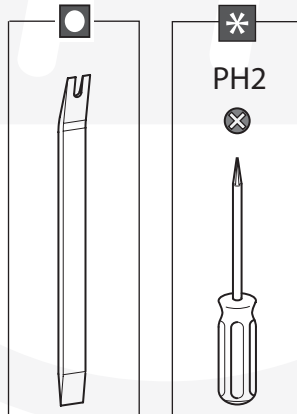
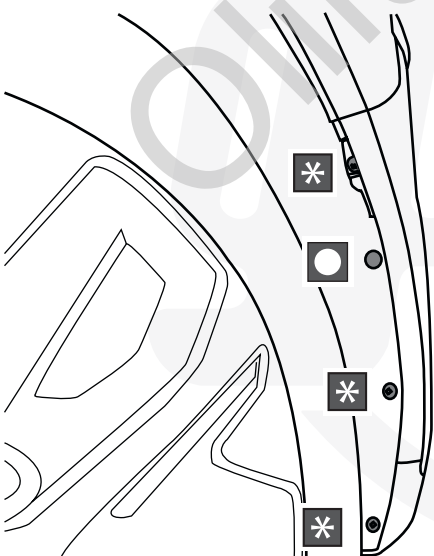
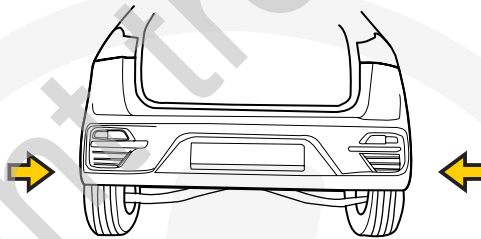
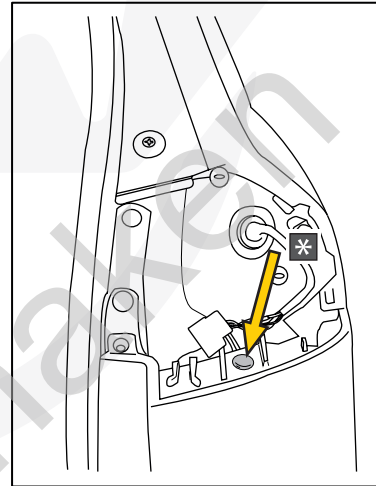
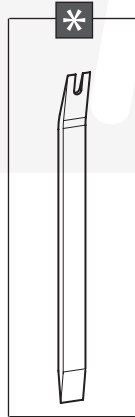
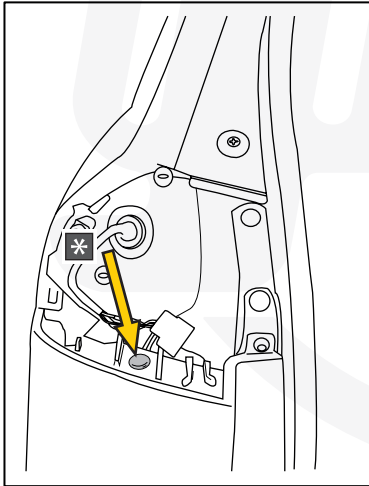
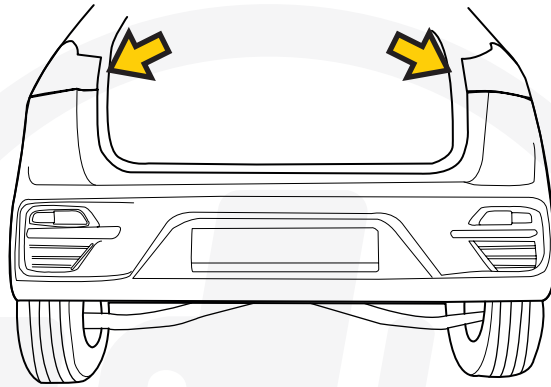
Geleverd met - Livré avec - Delivered with Geflevert mit - Elementos adjuntos - Leverages med		X1	GDW REF. 960.V0606
	↑ 	X1	GDW REF. 740.200
		X1	GDW REF. 912.003
	↑ 	X1	GDW REF. 740.112
	↑ 	X1	GDW REF. 740.111
		X1	GDW REF. 740.114
		X1	GDW REF. 718.15.001
		X1	GDW REF. SYST60-10
	↑ 	X3	DIN931-M12 X 110
	↑ 	X3	DIN128A-M12
	↑ 	X6	DIN125A-M12
	↑ 	X3	DIN934-M12

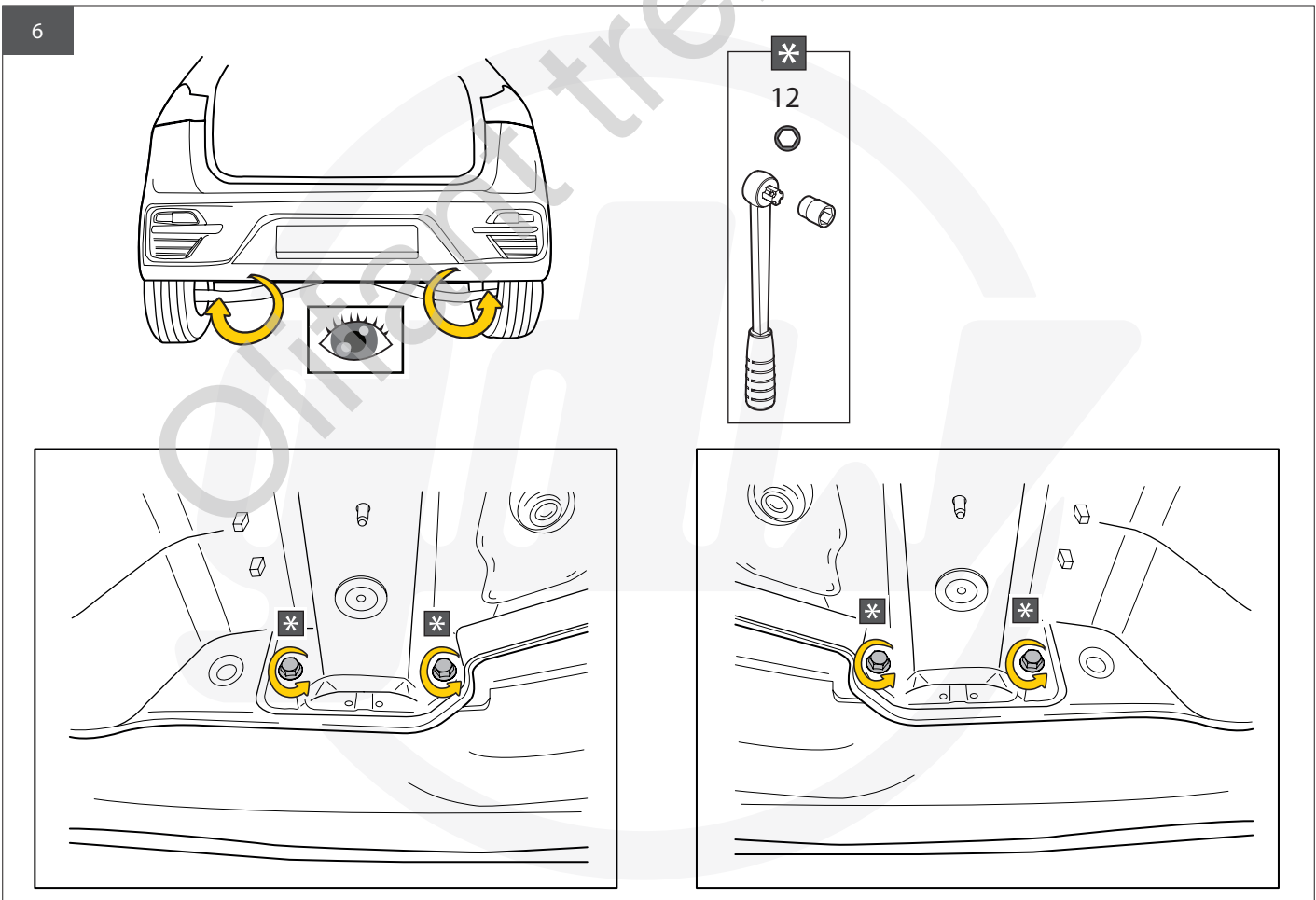
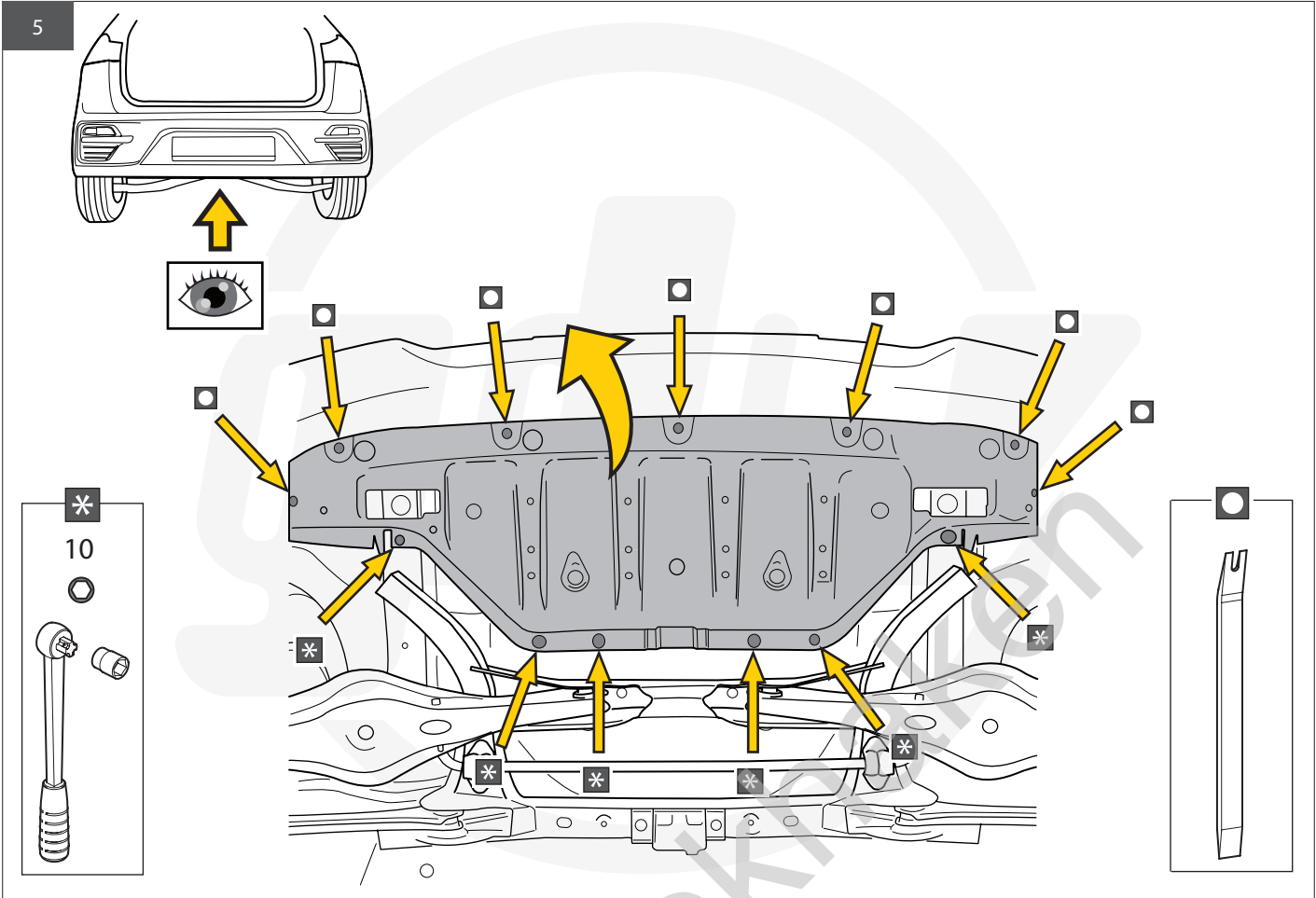
1

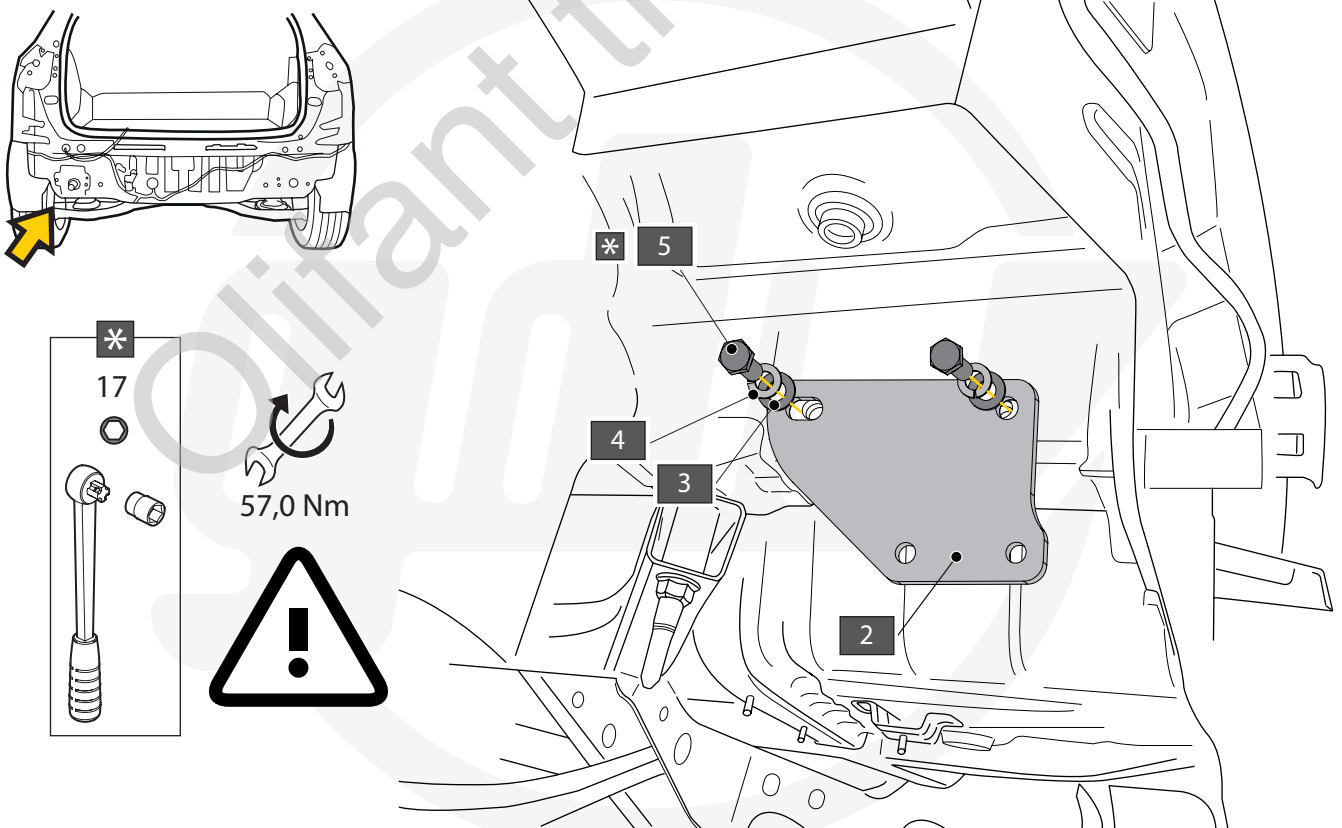
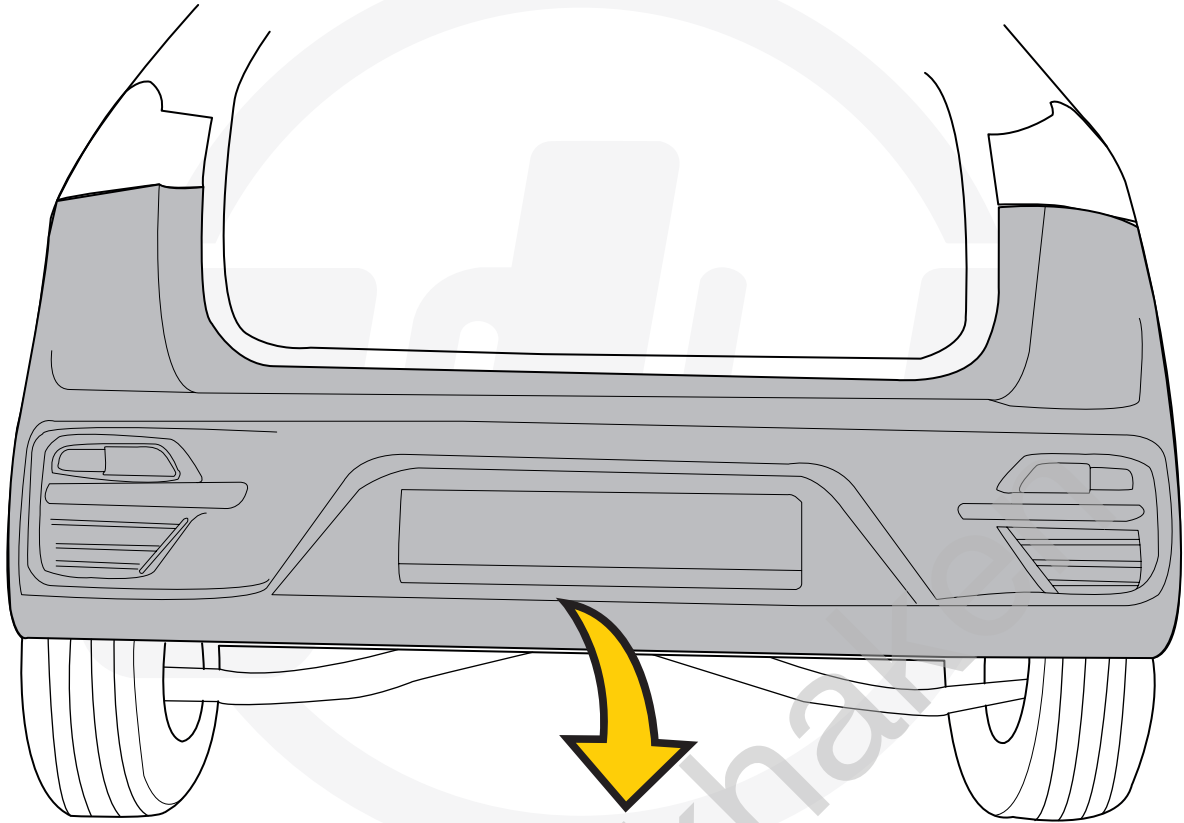


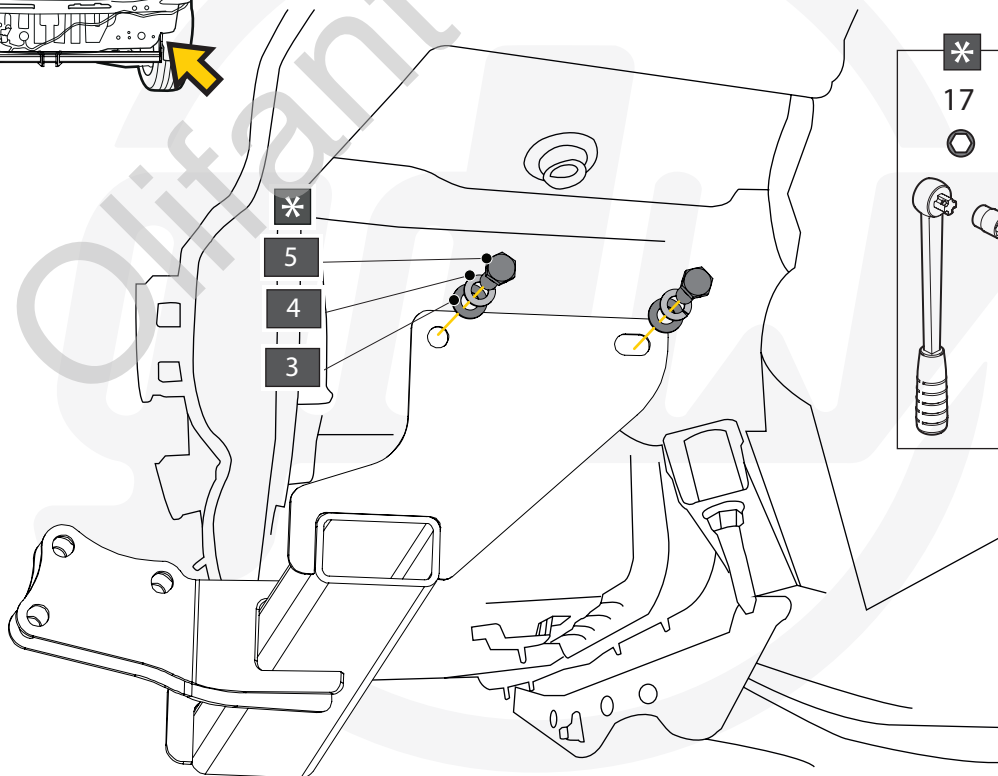
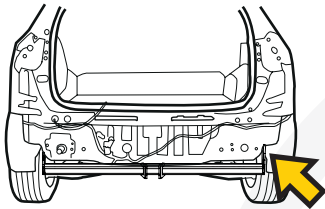
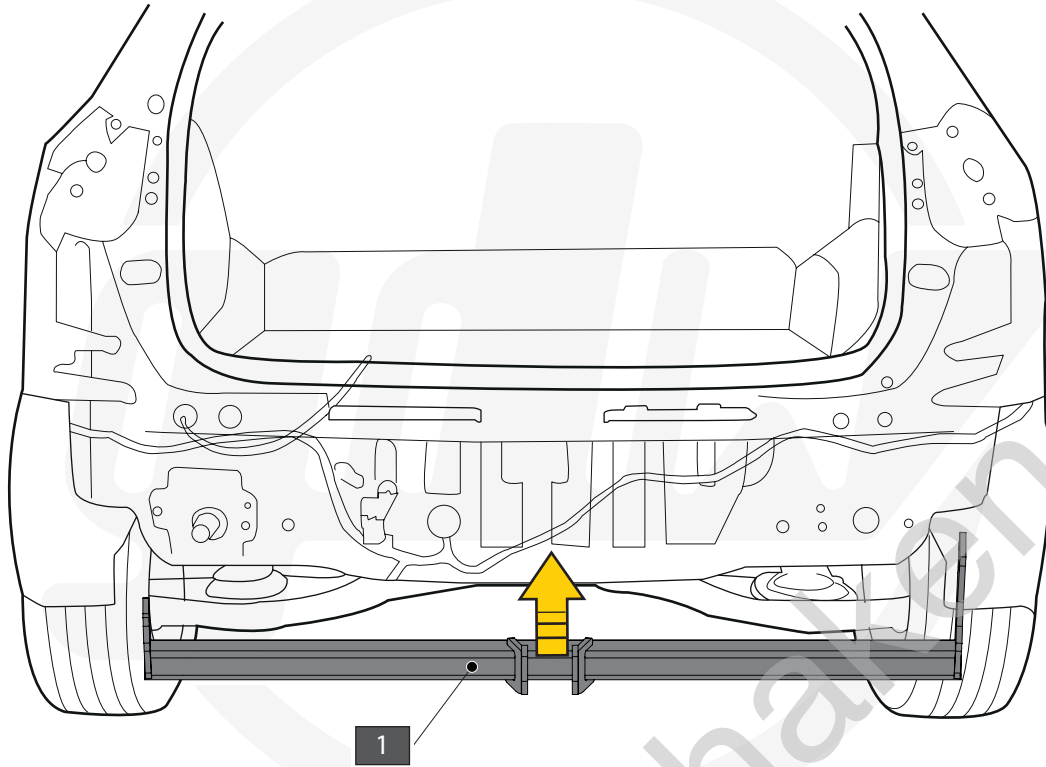
2



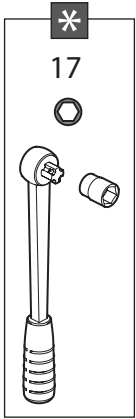
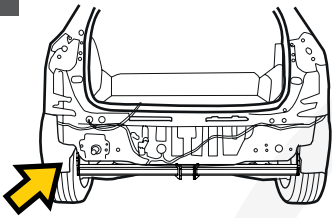




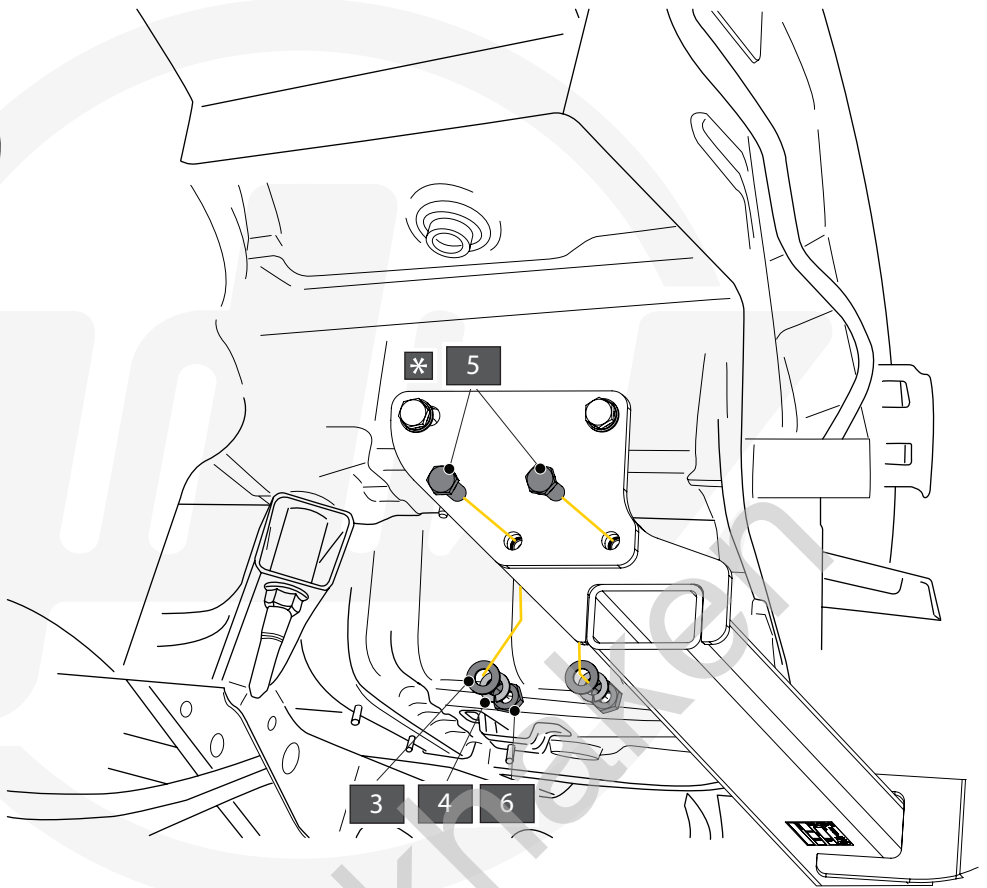




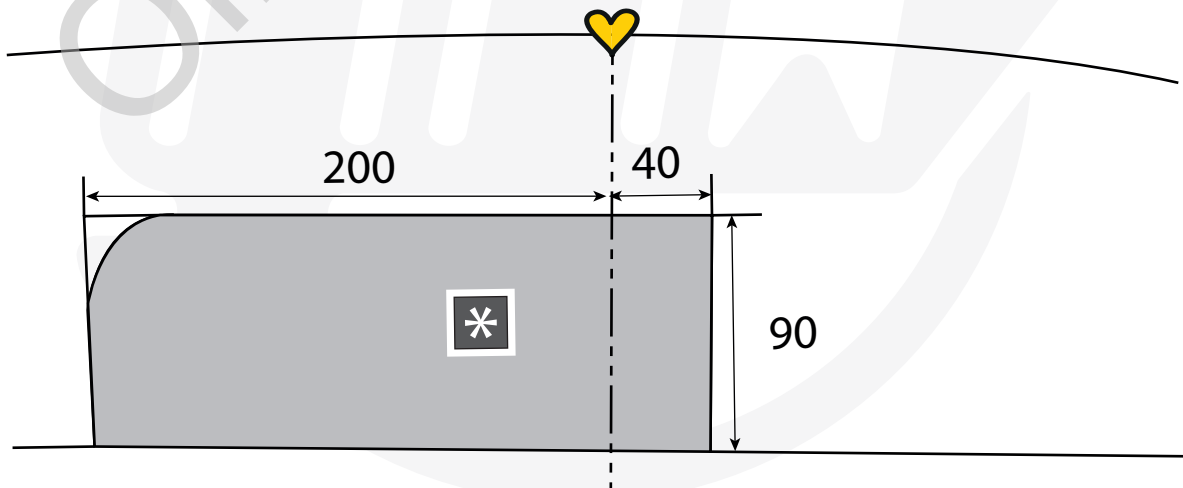
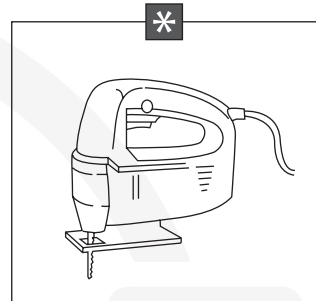
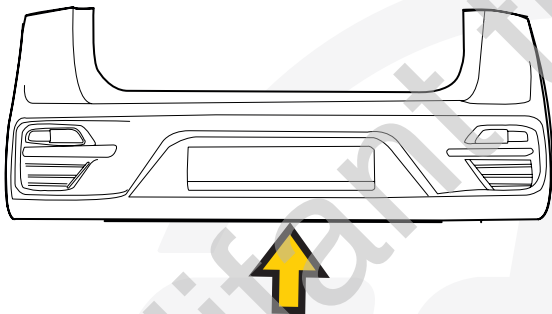
11

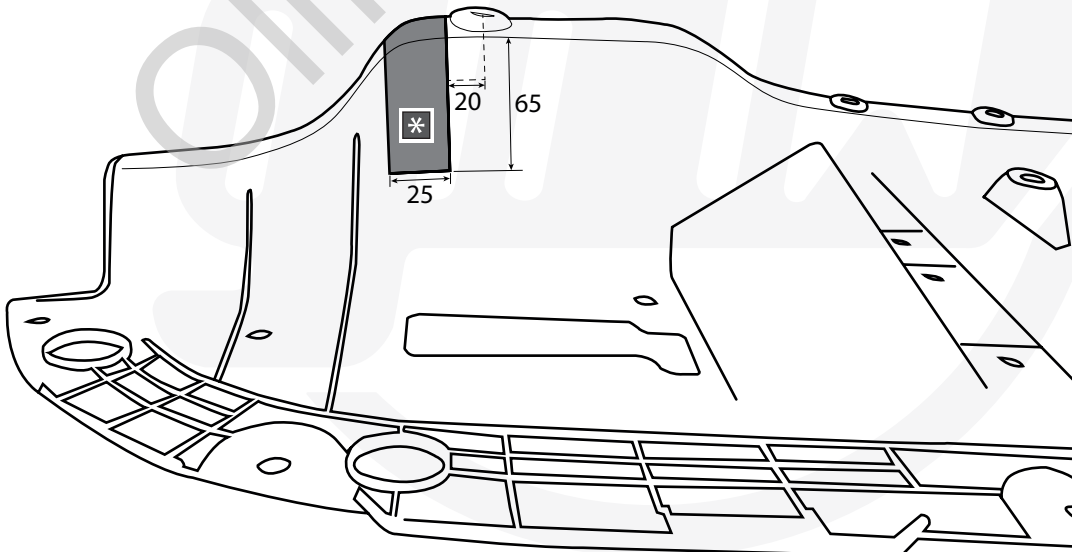
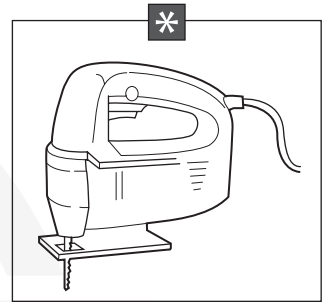
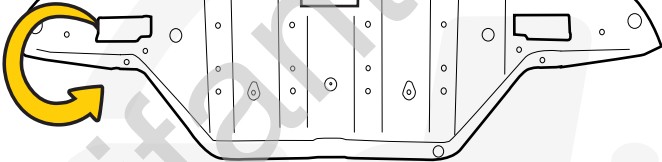
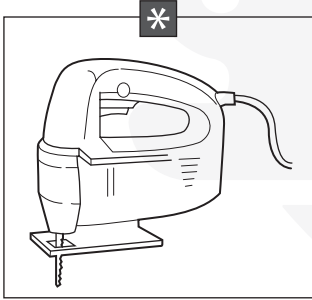
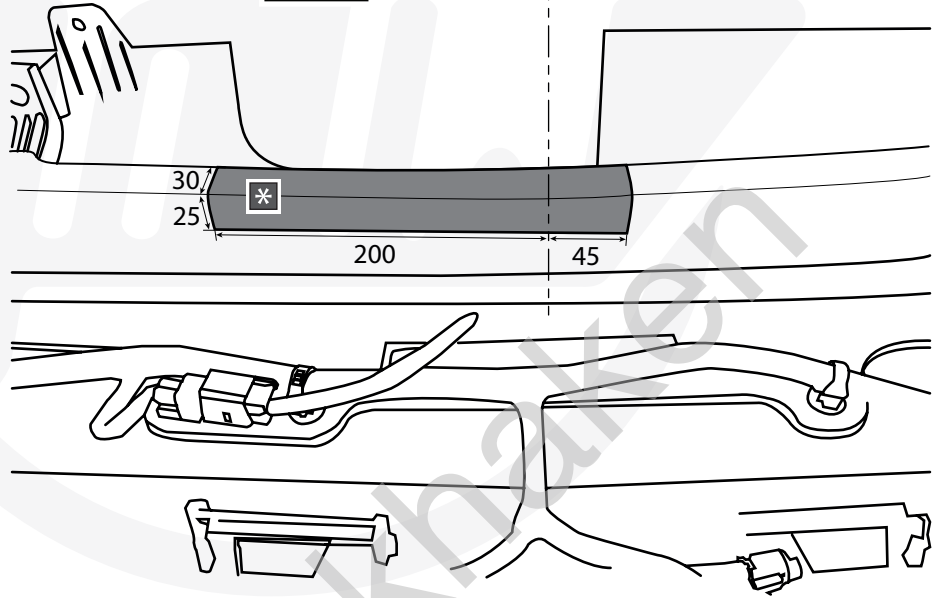
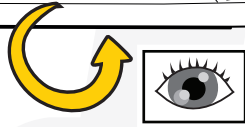
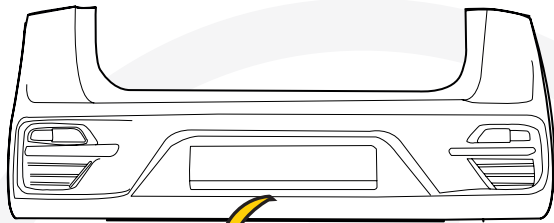


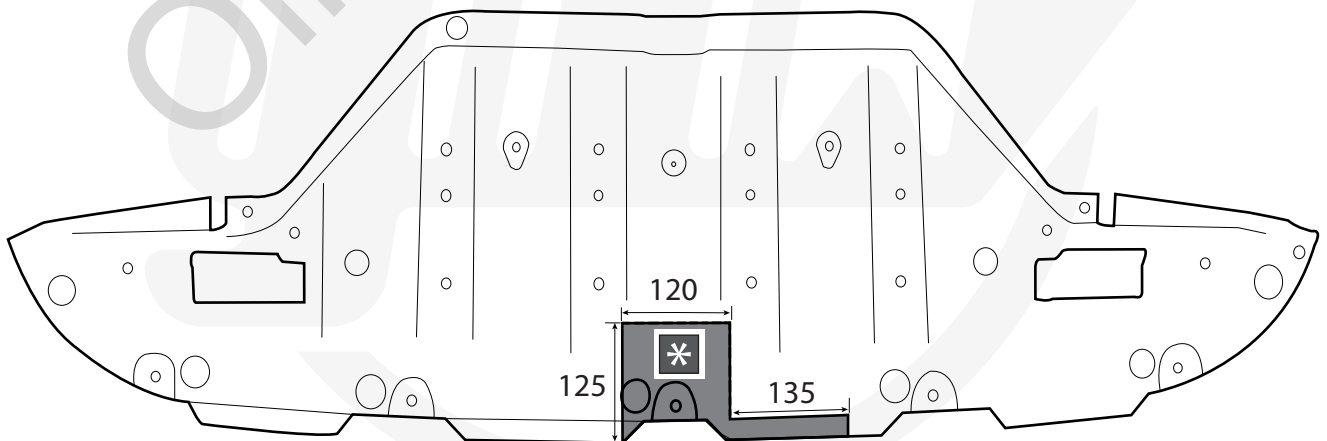
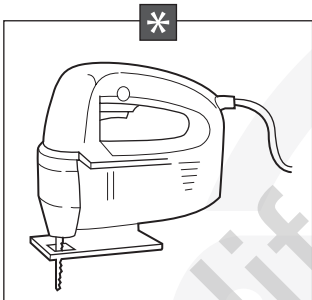
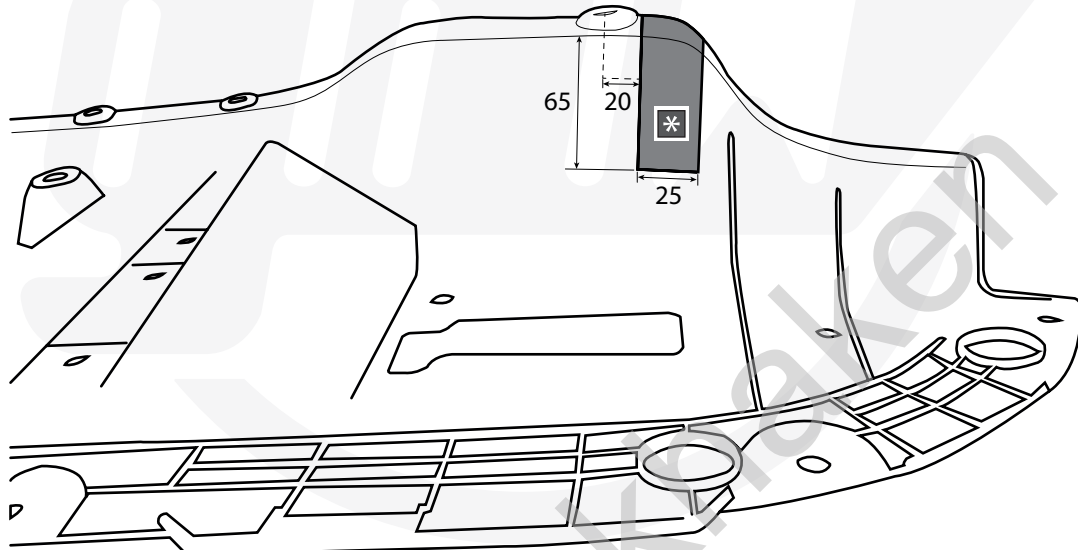
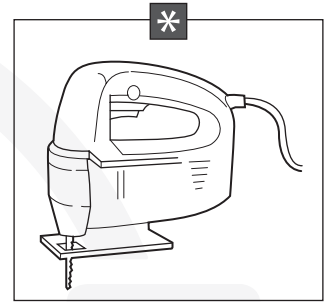
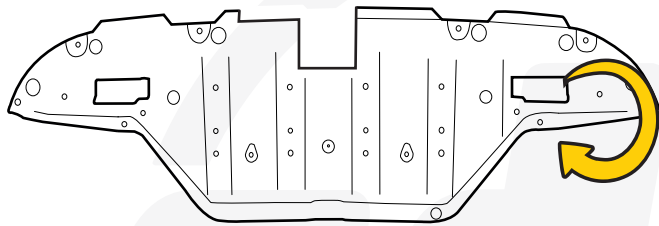
57,0 Nm

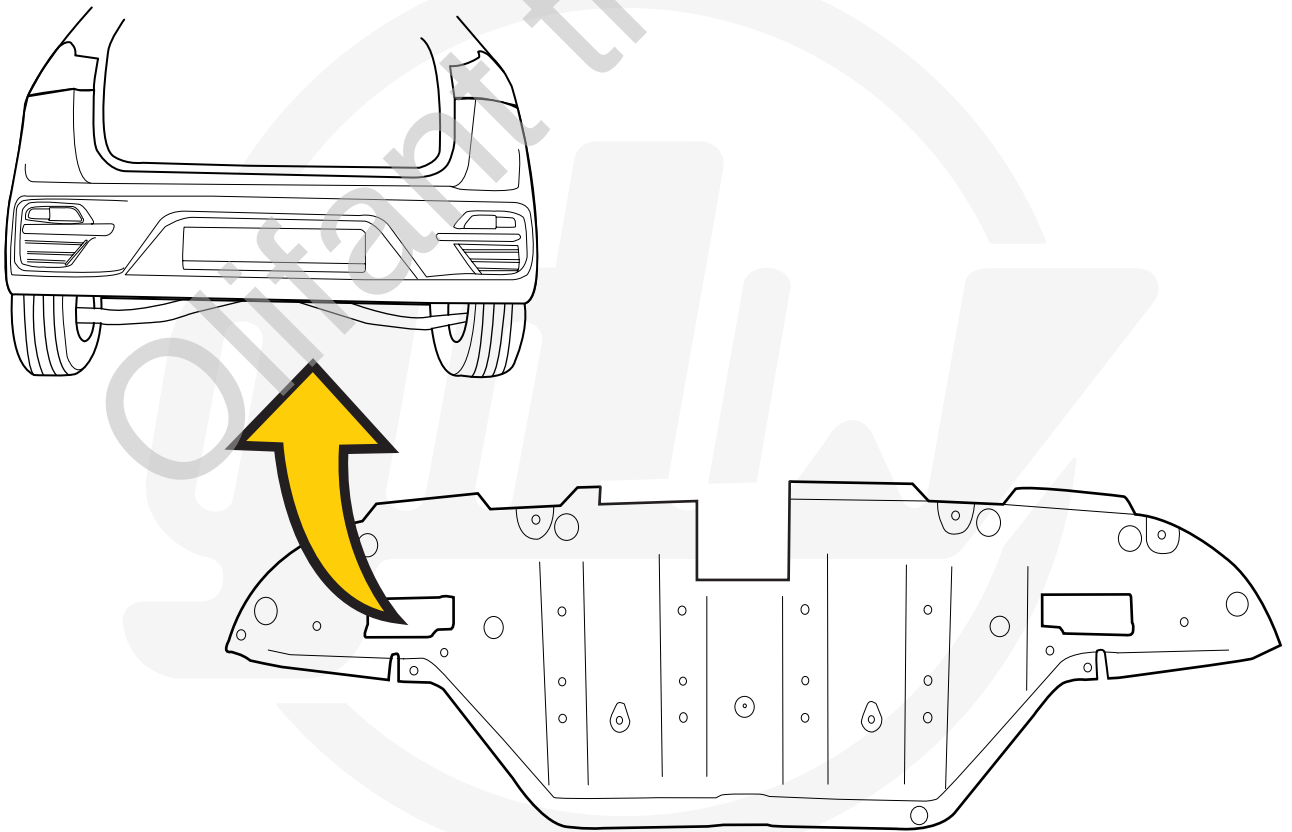
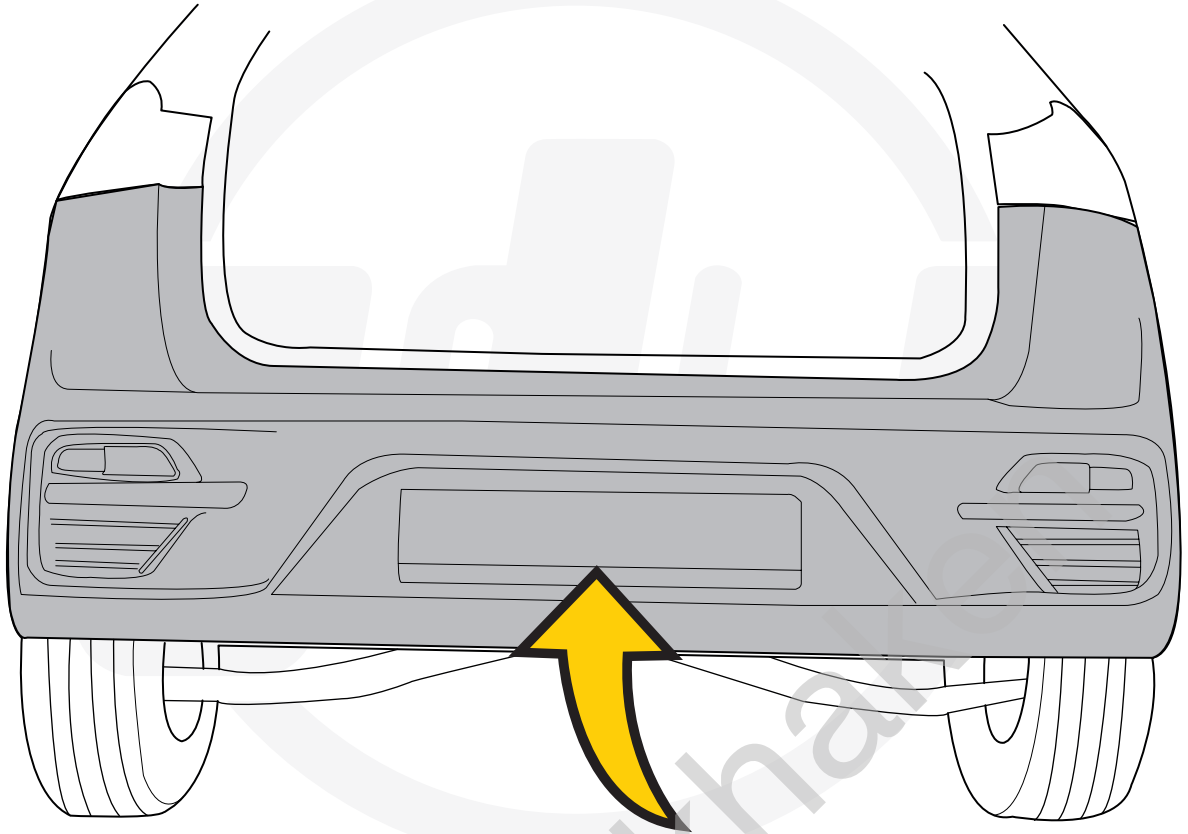


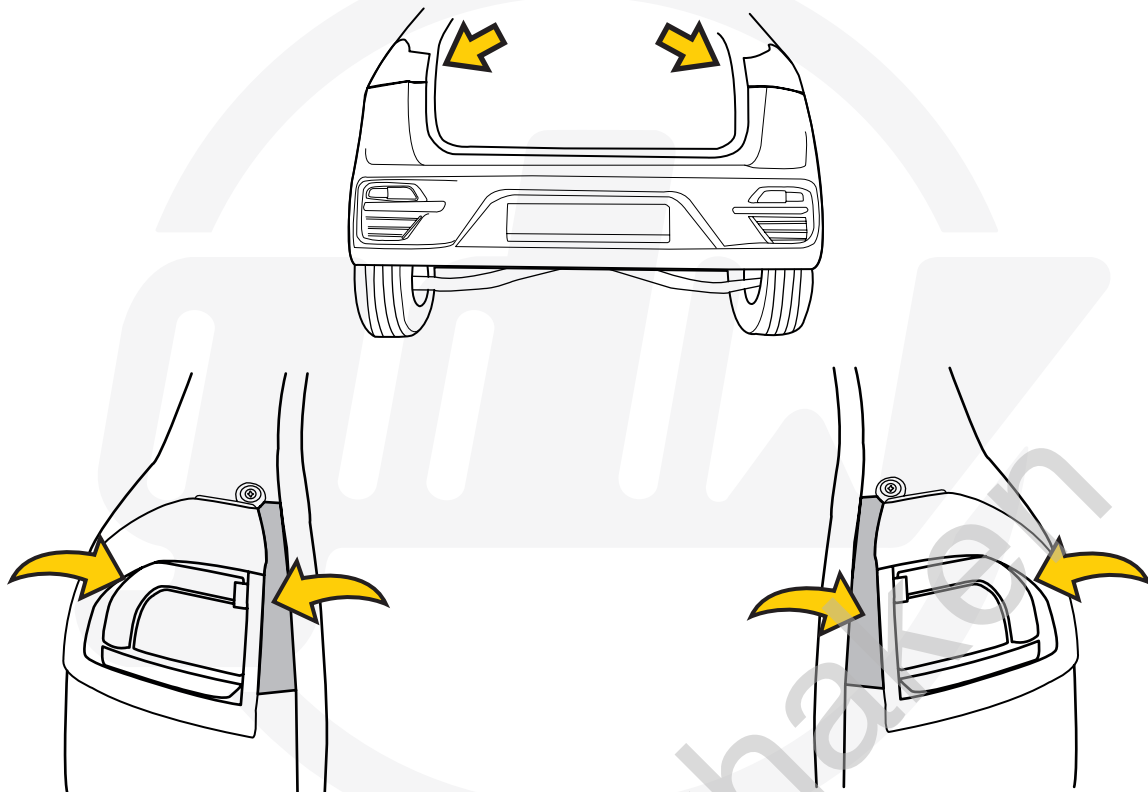
12











A		X1	GDW REF. 908.097
B		X1	DIN985-M6
C		X2	6,2 X 15,4 X 1,6 (NYLON)
D		X1	GDW REF. 718.16.002
E		X1	GDW REF. 718.16.003
F		X1	GDW REF. 908.094
G		X1	DIN933-M6 X 30

2,0 Nm

