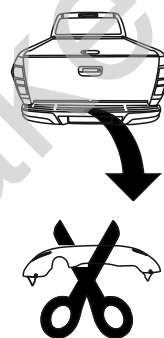
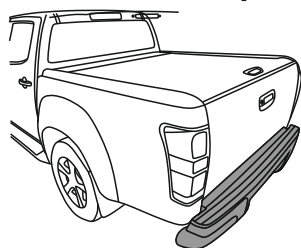


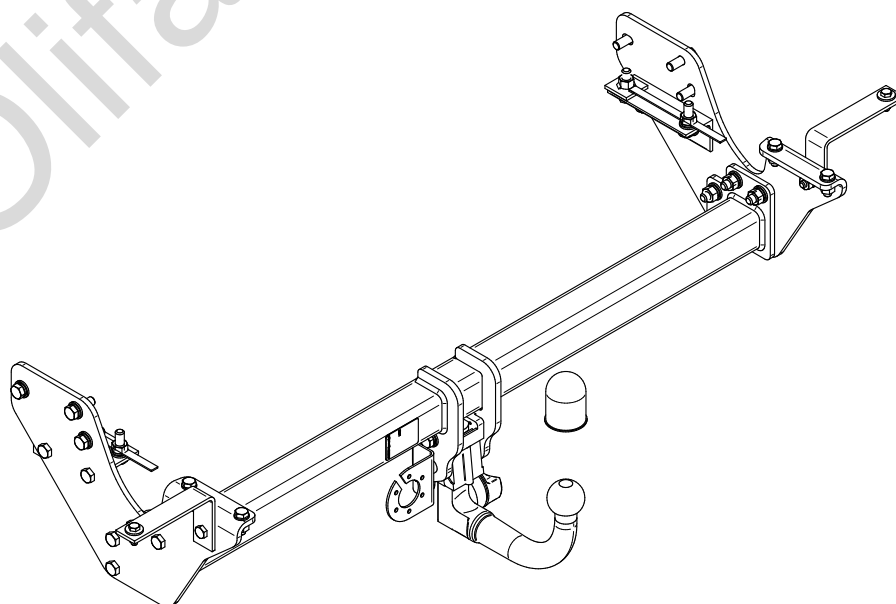
## Isuzu D-max II (Pickup)

(2012 - 2020)

I-032



- PL** **Urządzenie sprzęgające** Instrukcja montażu i eksploatacji
- GB** **Coupling device** Installation and operating instructions
- D** **Kupplungsvorrichtung** Montage- und Gebrauchsanleitung
- ES** **Del dispositivo de acoplamiento** Las instrucciones de instalación y de operación
- RU** **Тягово-сцепное устройство** Инструкция по установке и эксплуатации
- FR** **Dispositif d'accouplement** Notice de montage et d'utilisation
- IT** **Dispositivo accoppiamento** Istruzioni di montaggio
- CZ** **Spojovacího zařízení Tažné** Návod na montáž a použití
- RO** **Dispozitiv de cuplare** Instrucția de montaj și exploatare
- SE** **Kopplingsanordningens** Monterings- och bruksanvisningar.



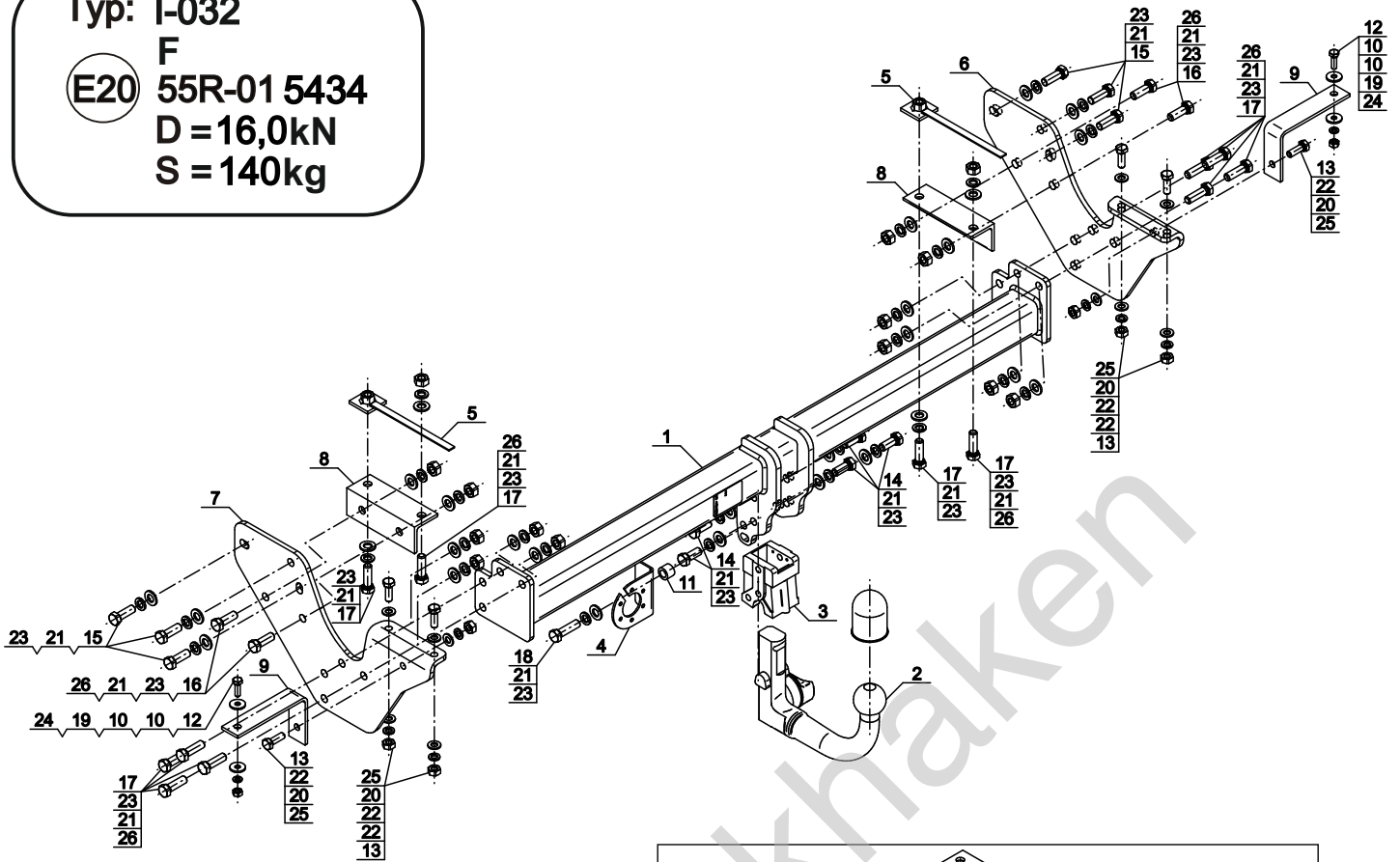
Typ: I-032

F

(E20) 55R-01 5434

D = 16,0kN

S = 140kg

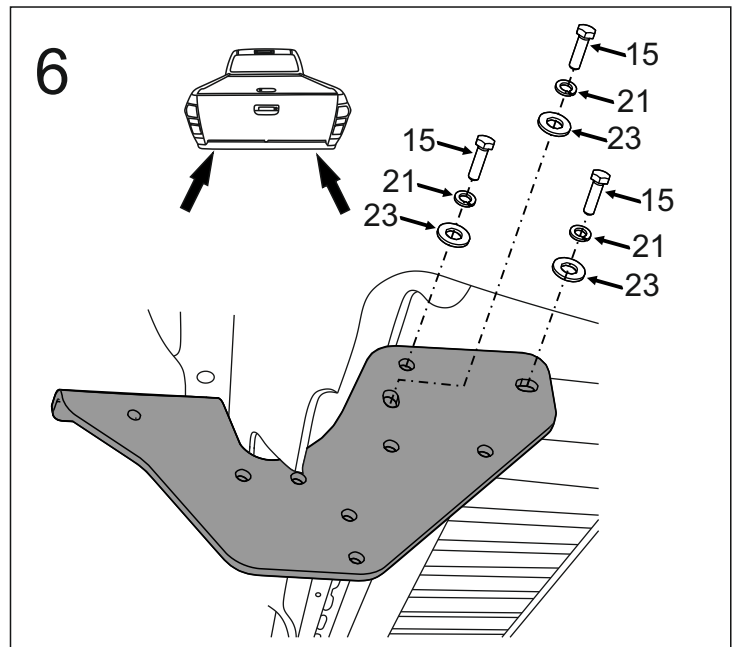
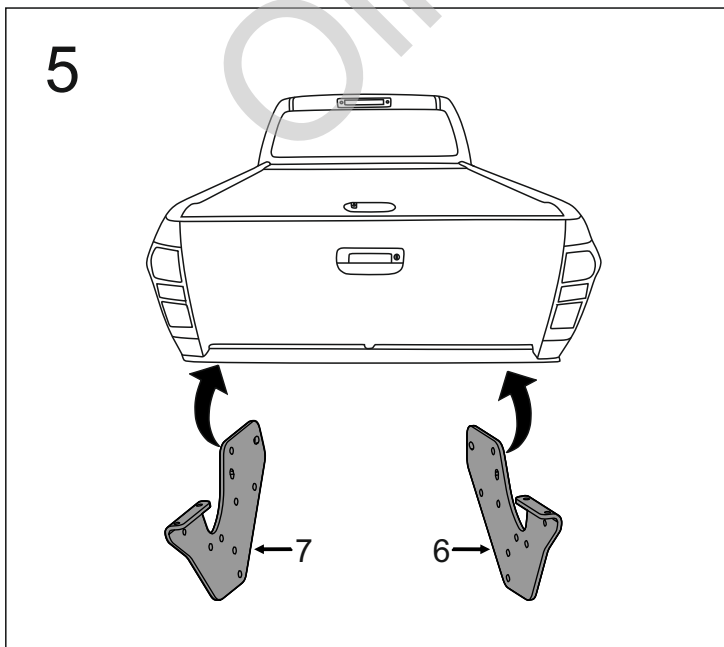
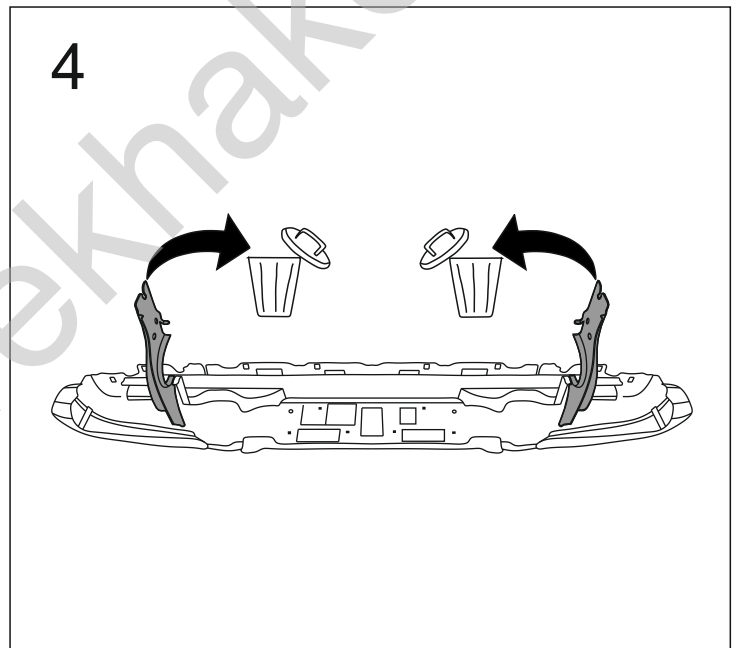
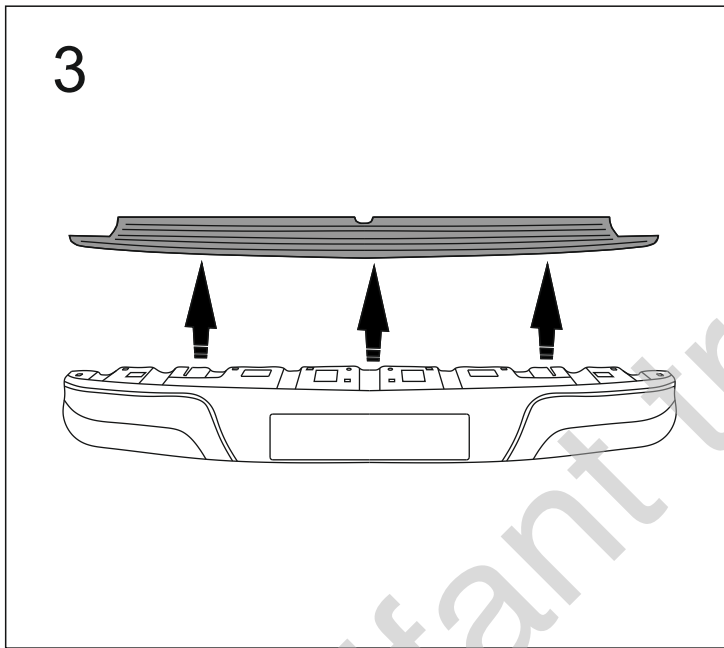
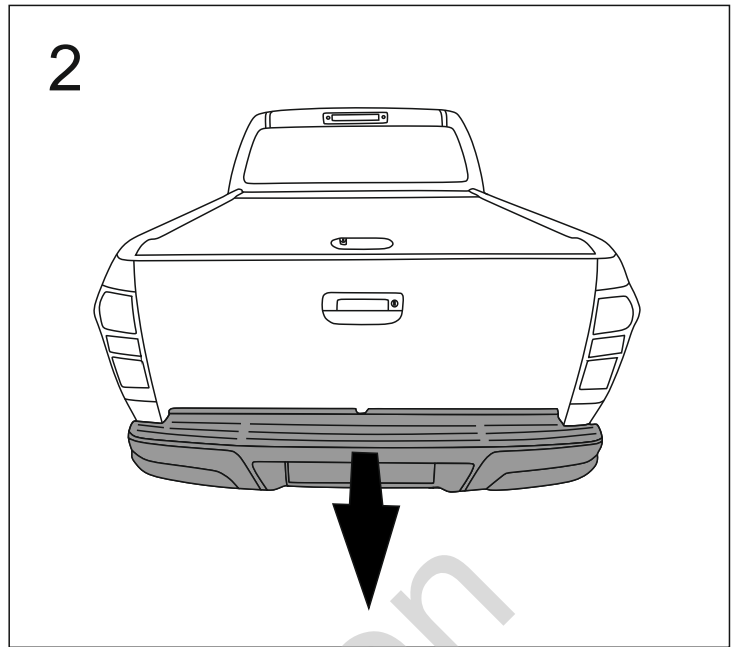
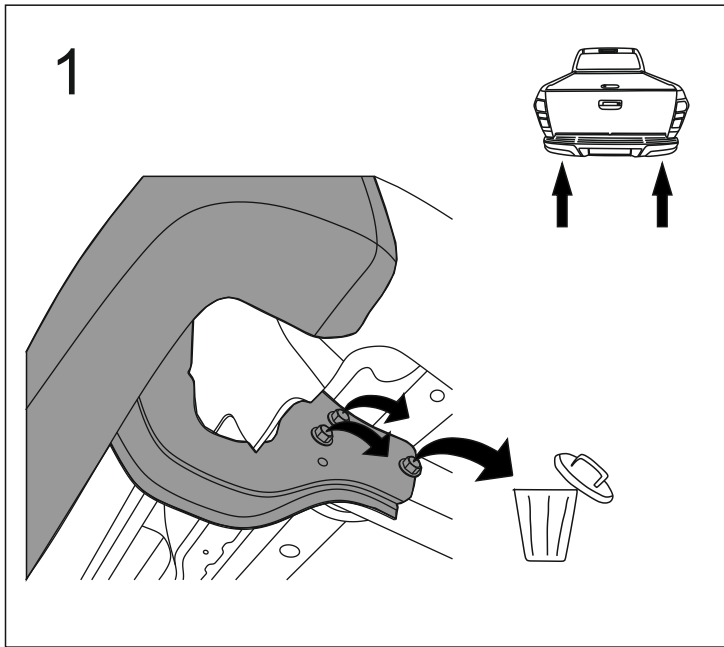


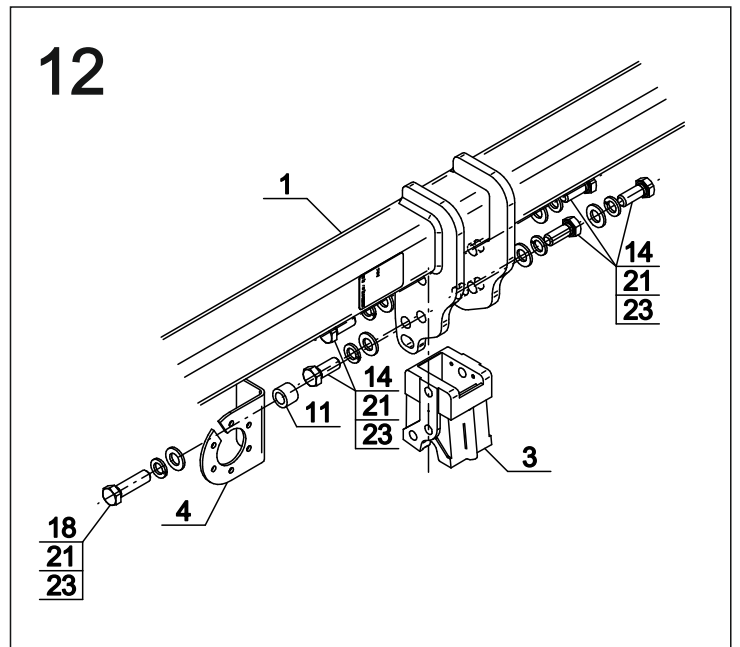
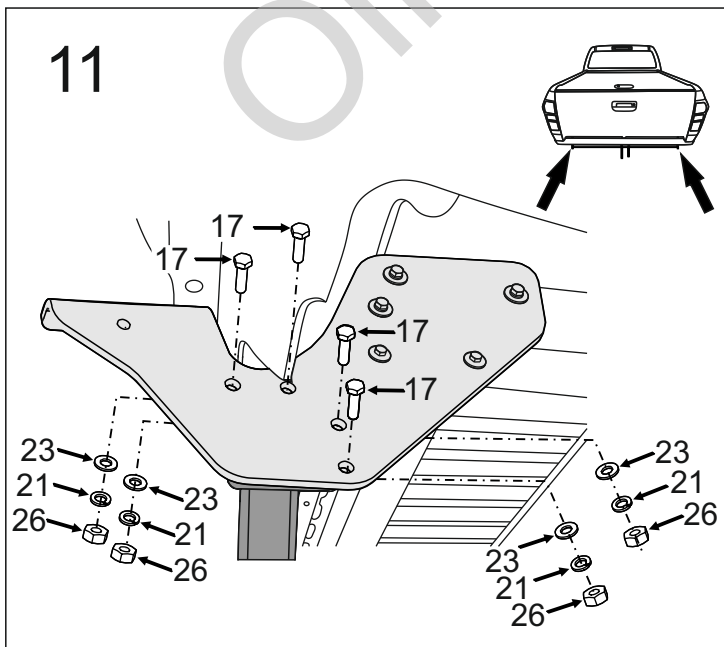
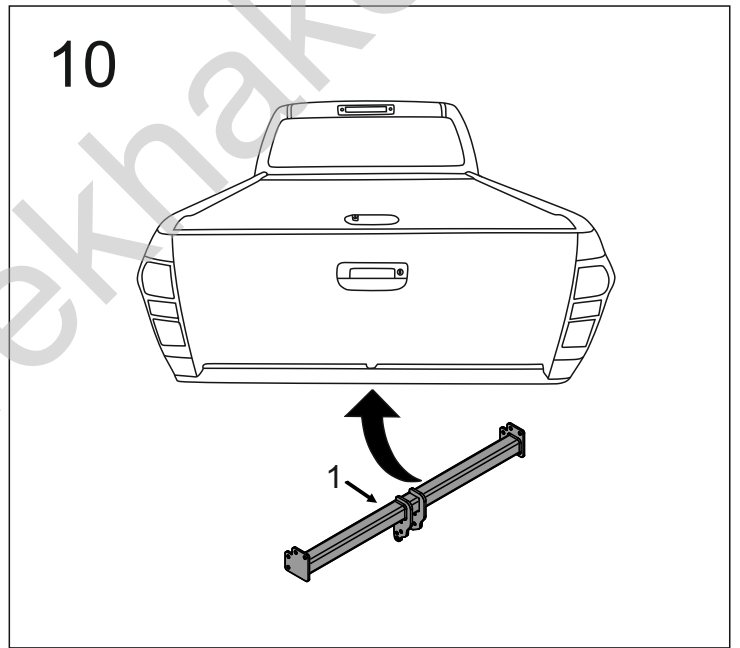
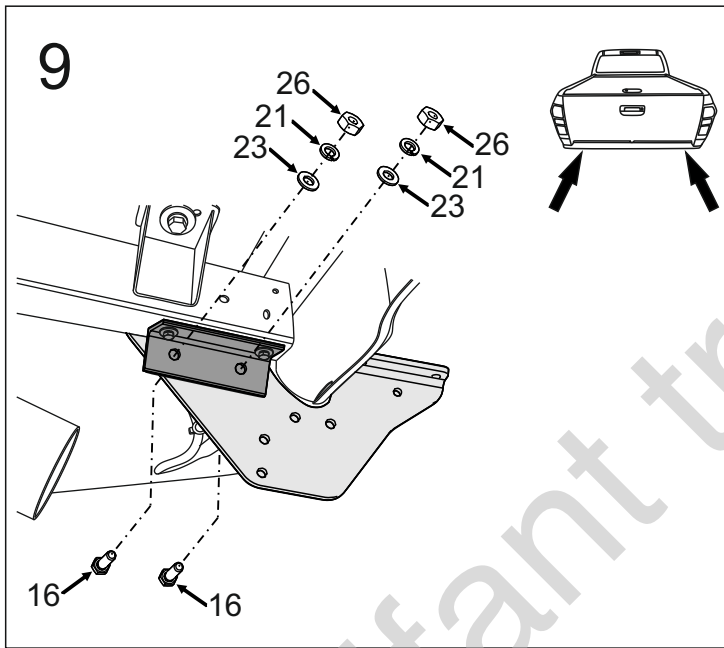
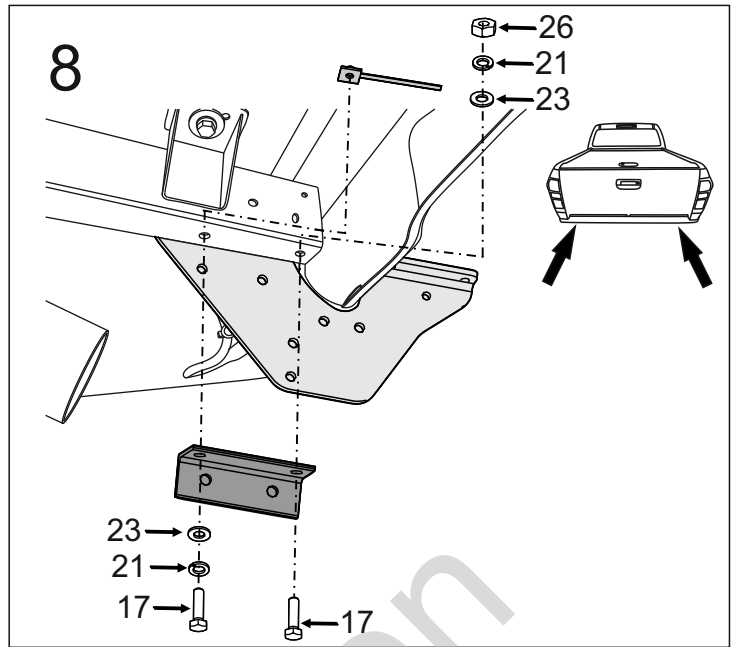
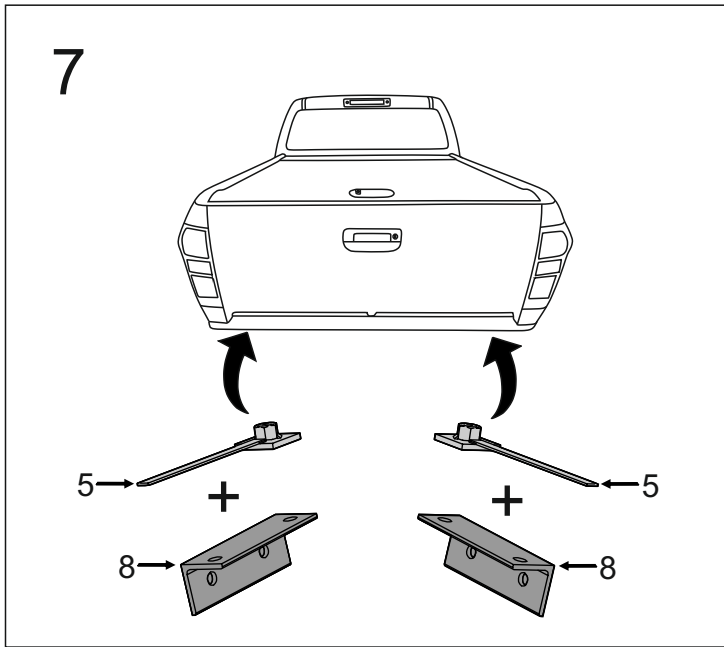
|   |            |    |
|---|------------|----|
| 1 |            | x1 |
| 2 | (ACS-6016) | x1 |
| 3 |            | x1 |
| 4 |            | x1 |
| 5 |            | x2 |
| 6 |            | x1 |
| 7 |            | x1 |

|    |  |                                |     |
|----|--|--------------------------------|-----|
| 8  |  |                                | x2  |
| 9  |  |                                | x2  |
| 10 |  | Ø24,5/Ø8,5x2,5                 | x4  |
| 11 |  | Ø20/Ø12,5x15                   | x1  |
| 12 |  | M8x25 (PN/M-82105) (8.8)       | x2  |
| 13 |  | M10x30 (PN/M-82105) (8.8)      | x6  |
| 14 |  | M12x30 (PN/M-82105) (8.8)      | x5  |
| 15 |  | M12x1,25x35 (PN/M-82105) (8.8) | x6  |
| 16 |  | M12x35 (PN/M-82105) (8.8)      | x4  |
| 17 |  | M12x40 (PN/M-82105) (8.8)      | x12 |
| 18 |  | M12x45 (PN/M-82105) (8.8)      | x1  |
| 19 |  | Ø8,2                           | x2  |
| 20 |  | Ø10,2                          | x6  |
| 21 |  | Ø12,2                          | x28 |
| 22 |  | Ø10,5                          | x10 |
| 23 |  | Ø13,0                          | x28 |
| 24 |  | M8 (8)                         | x2  |
| 25 |  | M10 (8)                        | x6  |
| 26 |  | M12 (8)                        | x14 |

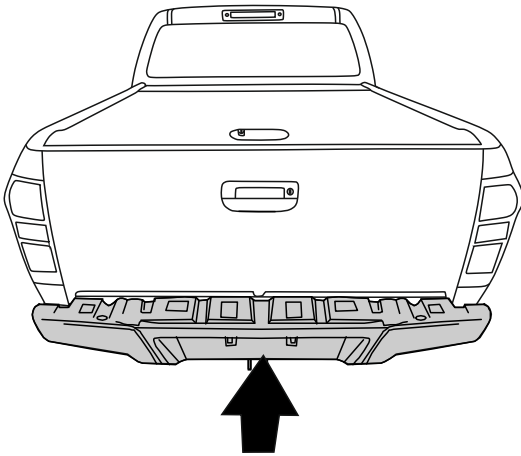


| 8.8           |                |
|---------------|----------------|
| M6 - 10 (Nm)  | M12 - 85 (Nm)  |
| M8 - 25 (Nm)  | M14 - 135 (Nm) |
| M10 - 50 (Nm) | M16 - 200 (Nm) |

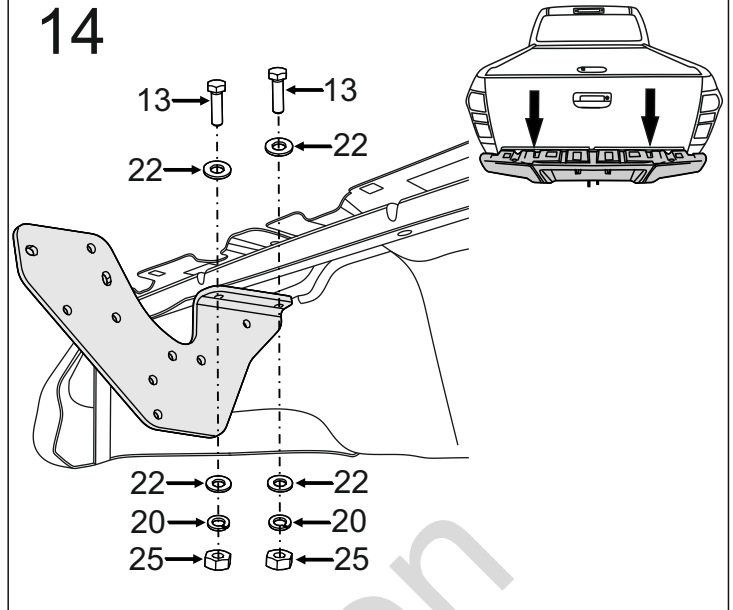




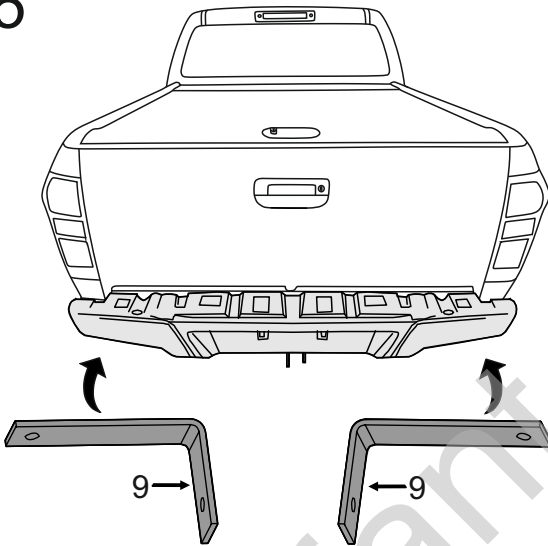
13



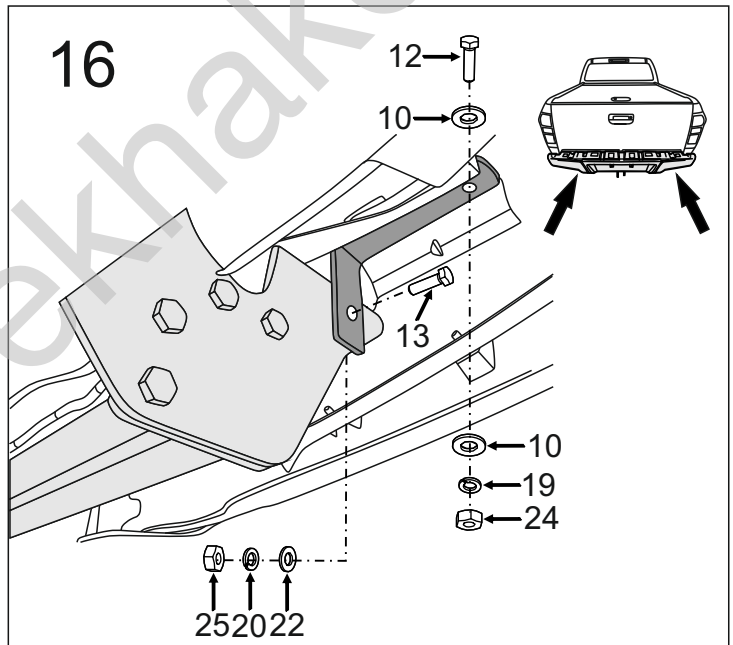
14



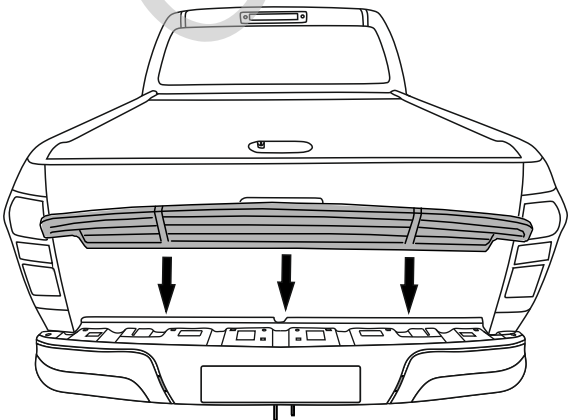
15



16



17



18

