



Hyundai Kona

10/'17

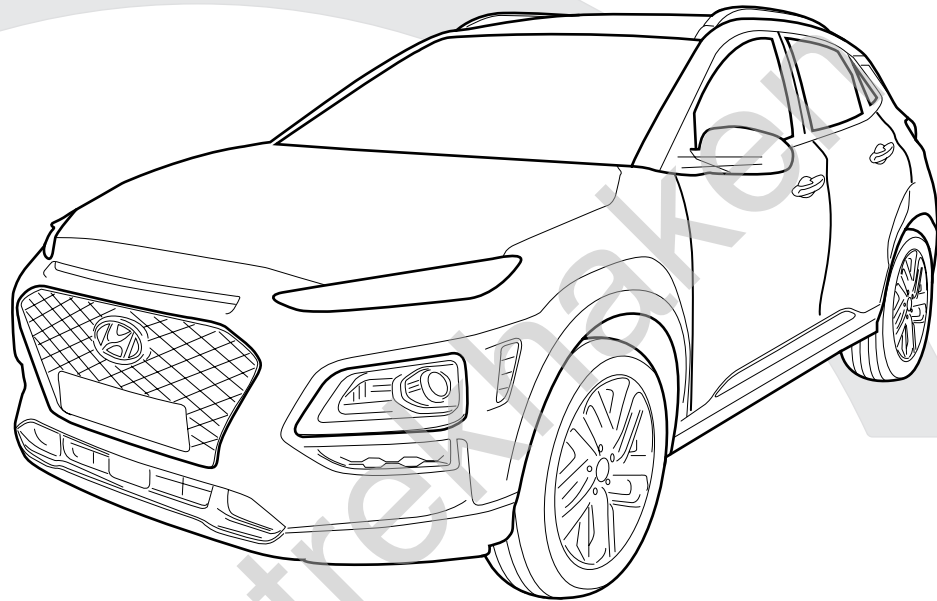


✓ STANDARD

✗ AD BLUE

✓ HYBRIDE

✗ N-LINE

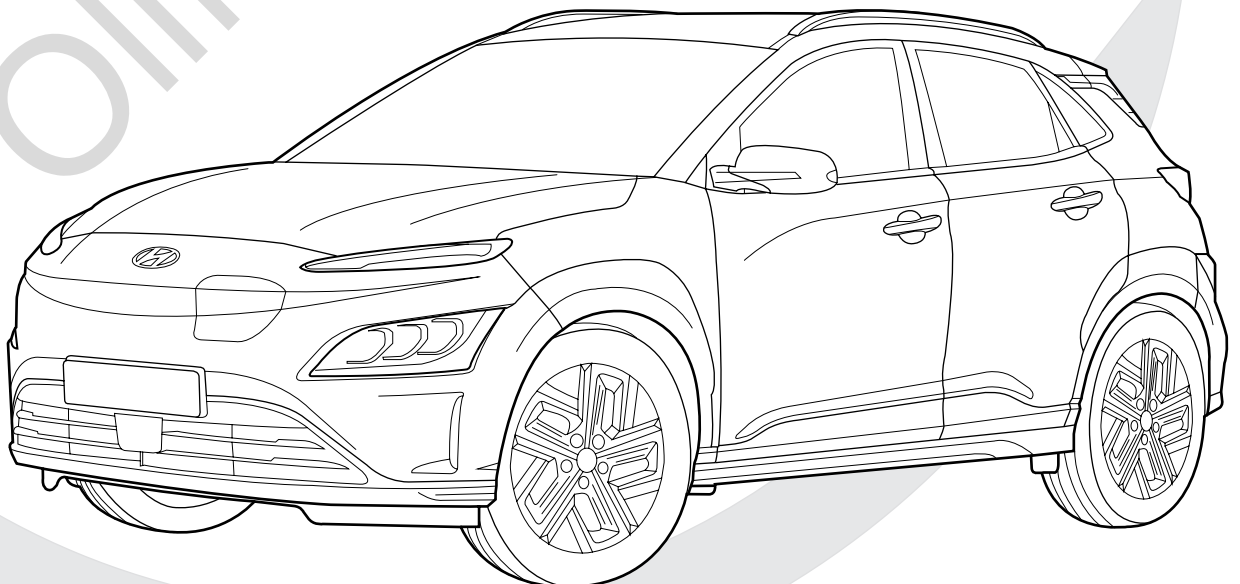


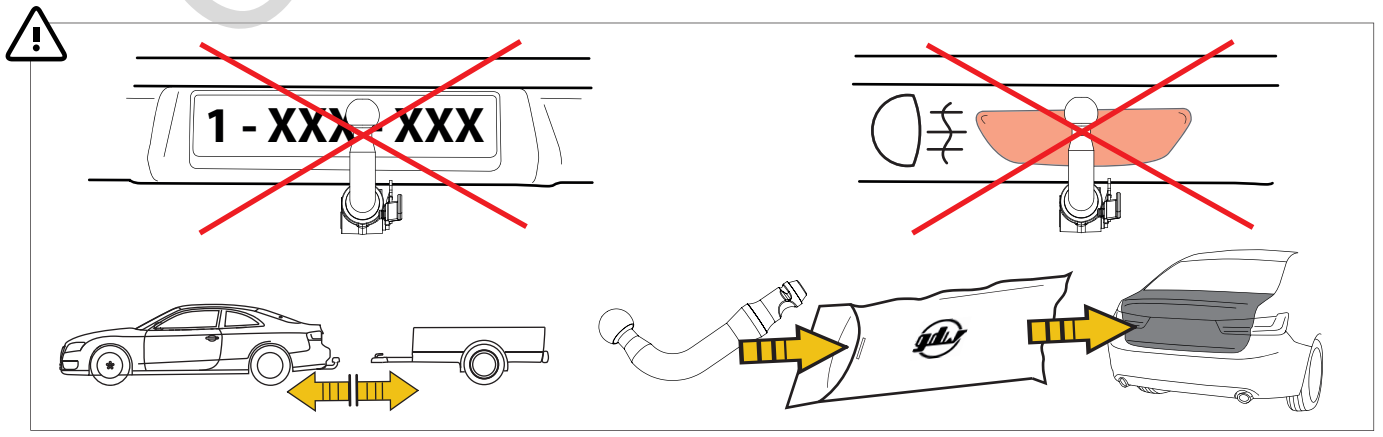
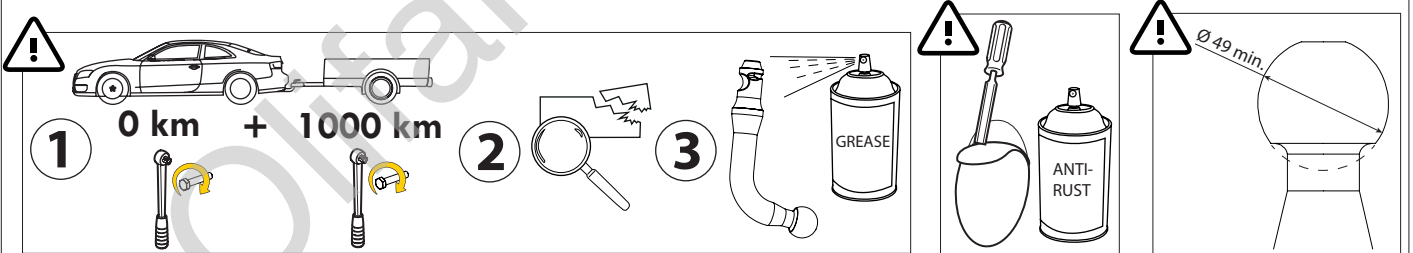
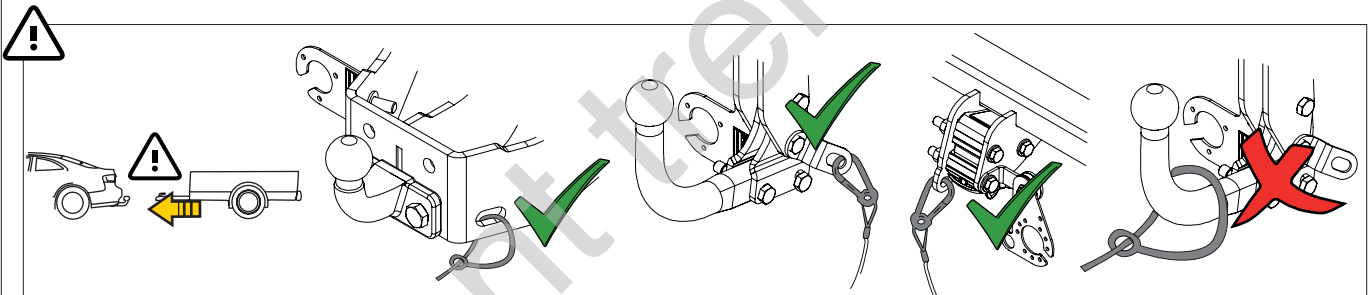
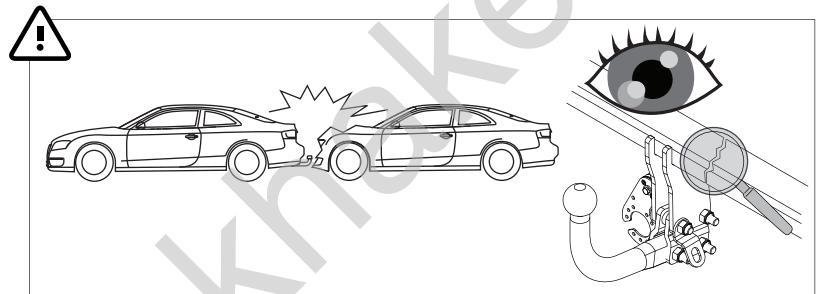
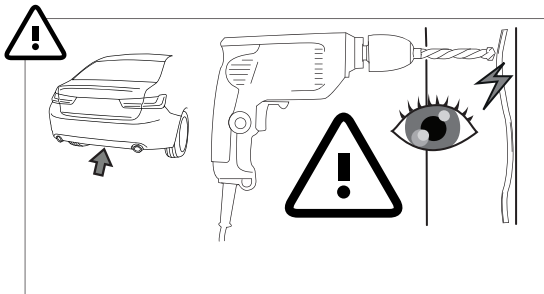
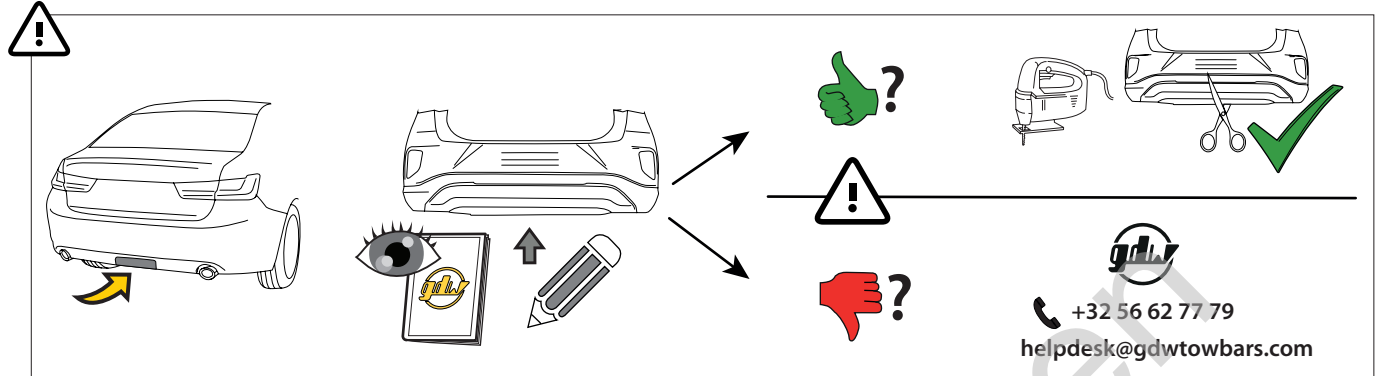
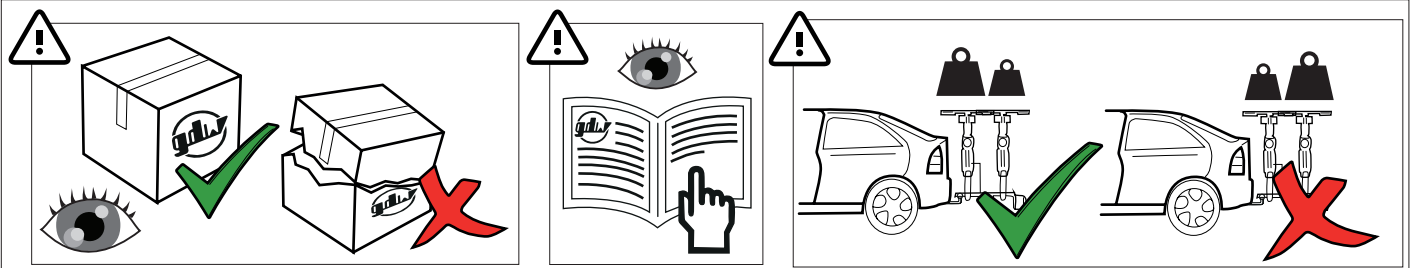
Hyundai Kona EV


09/'21-

✓ 150 KW MOTOR/
64 KWH BATTERY

✗ 100 KW MOTOR/
39 KWH BATTERY




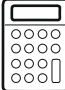


MADE BY  **D 8,50** **F** **E6**


BELGIUM **S 100** EC-N° 55R-02 1637

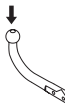

REF N° 2521T60 SERIAL N° XXXX


DESCRIPTION
Hyundai Kona

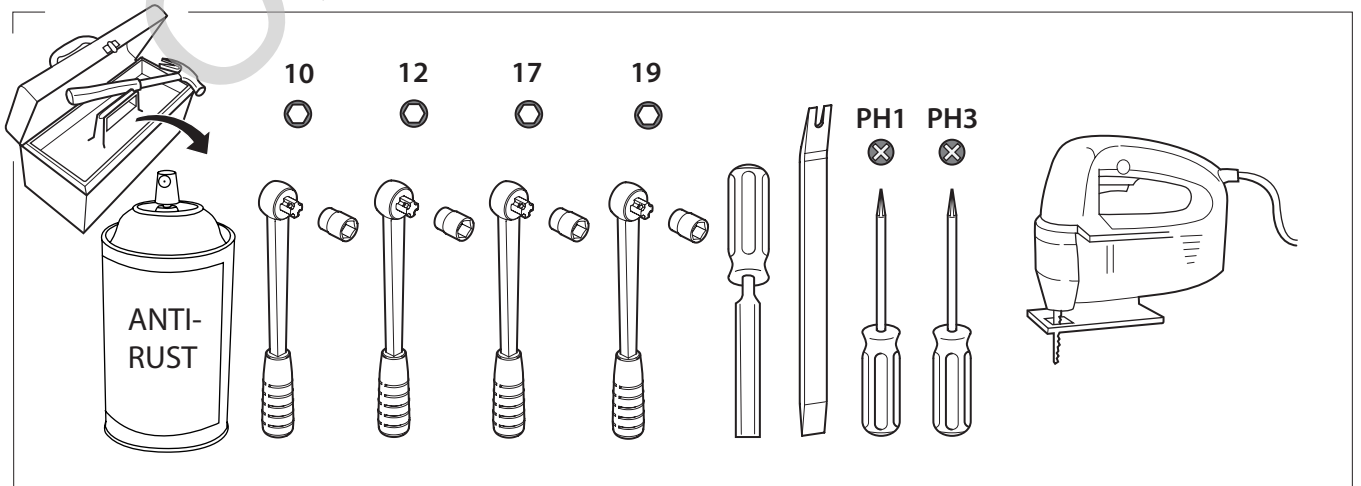
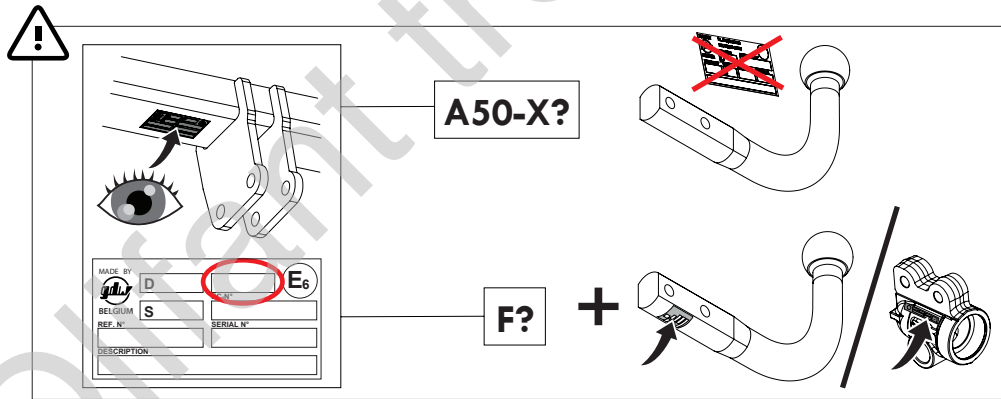
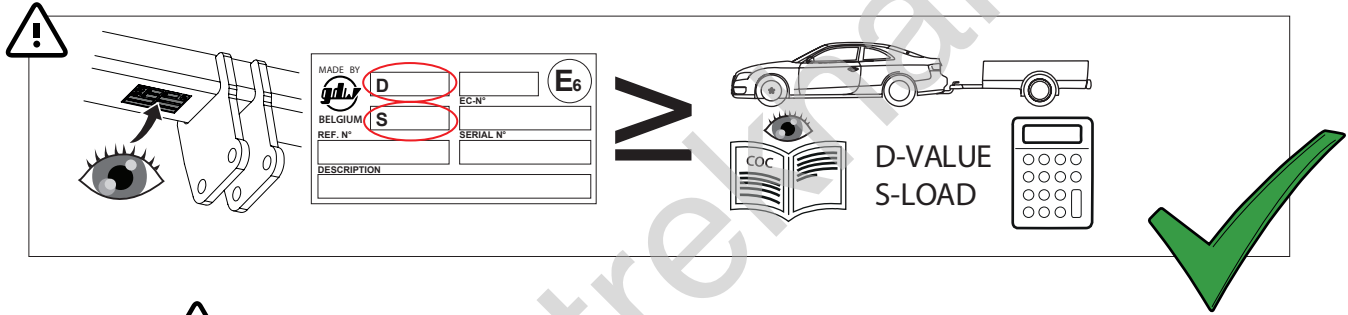
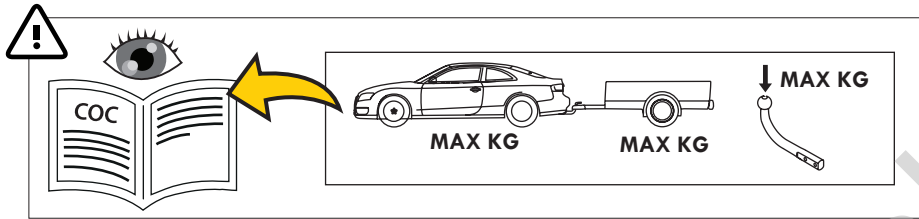
 

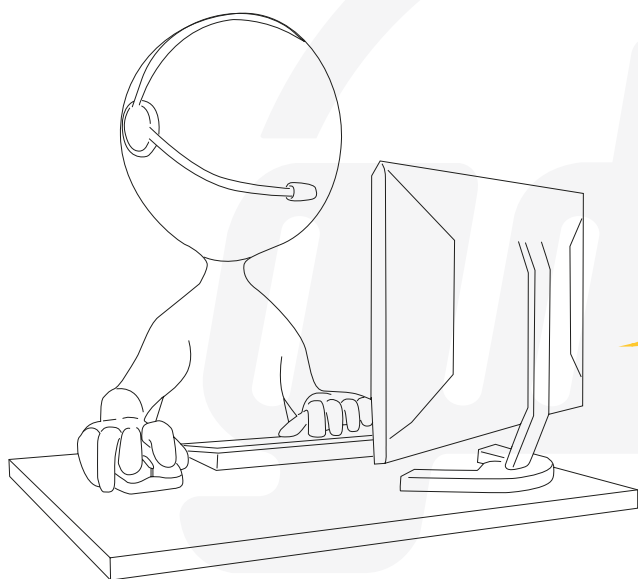
$$D = \frac{\text{max kg (car)} \times \text{max kg (trailer)}}{\text{max kg (car)} + \text{max kg (trailer)}} \times 0.00981 \leq 8,50 \text{ kN}$$



S =  ≤ 100 kg  ≤ 1500 kg

 See the Certificate Of Conformity (COC) of your vehicle or contact your dealer to verify the max. trailer weight of your car!

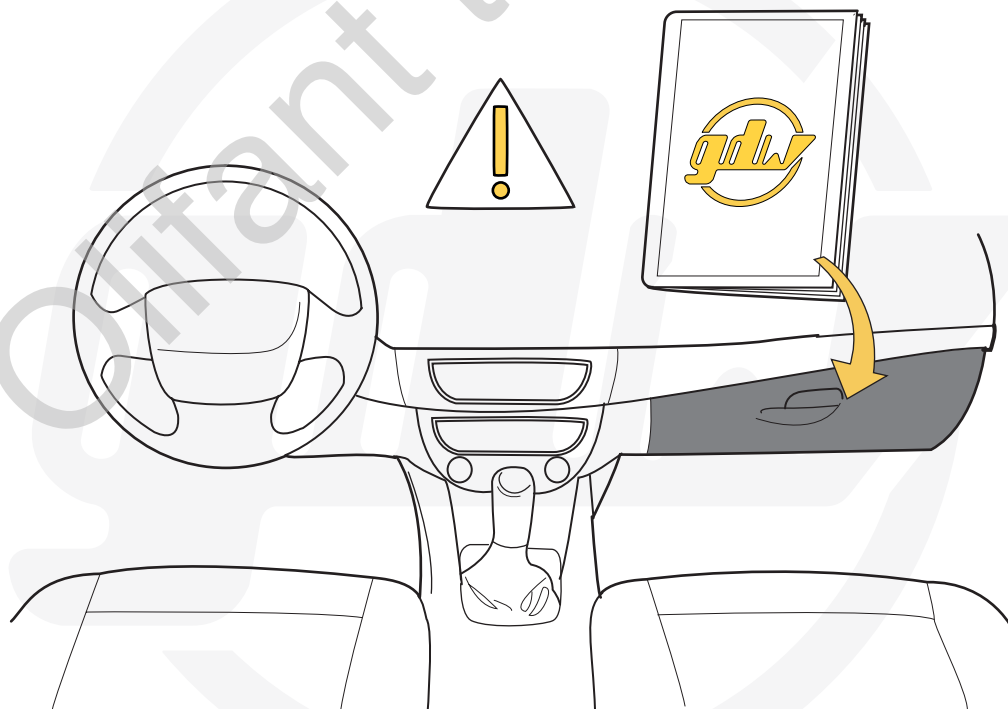


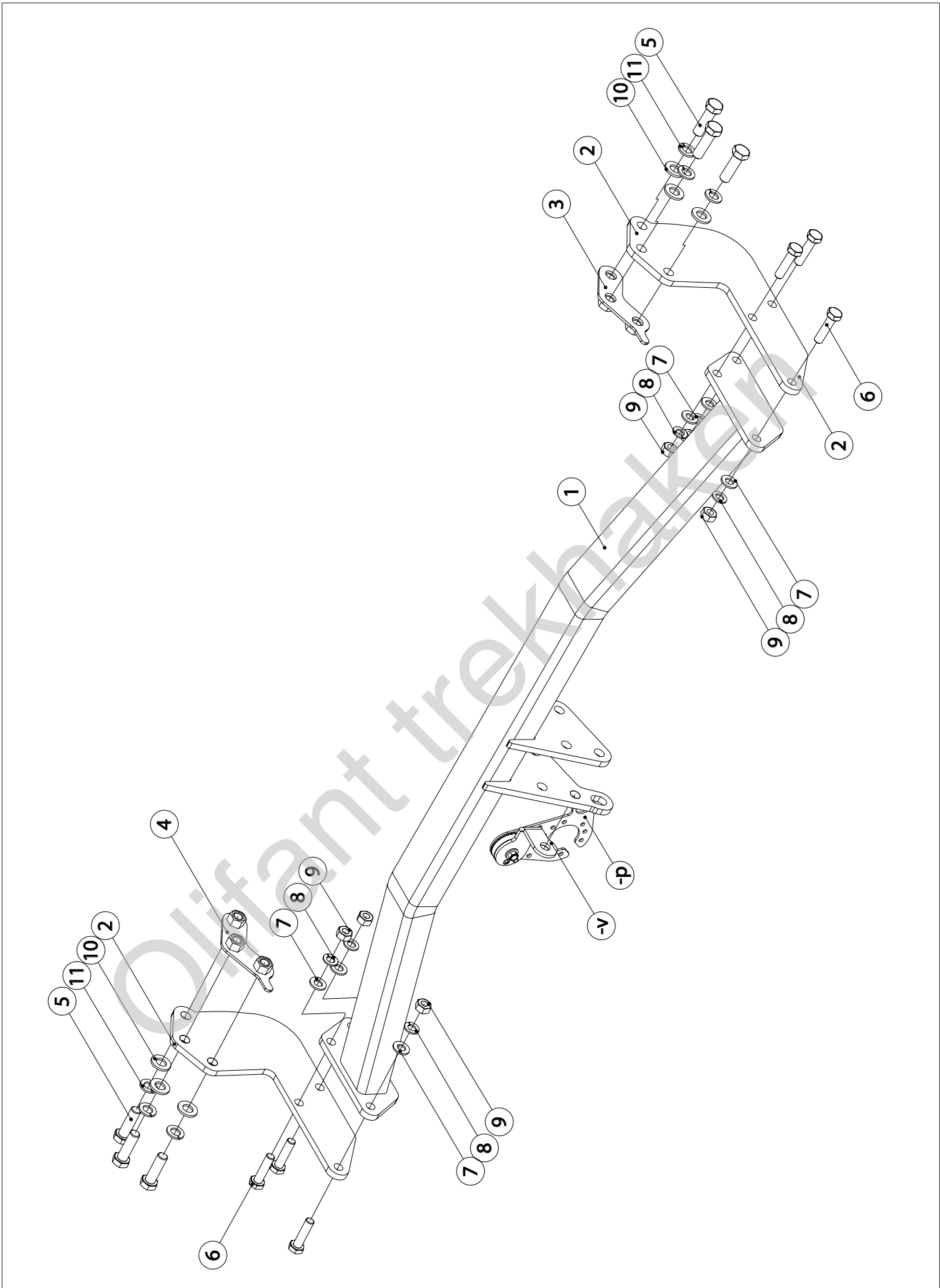


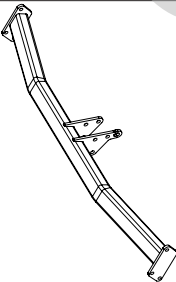
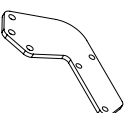
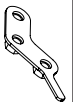
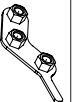








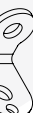
helpdesk@gdwtowbars.com

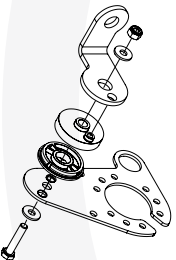


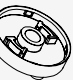




+32 56 62 77 79

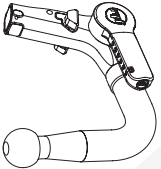

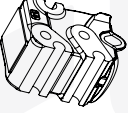


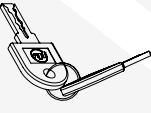






Monday	08:00 - 12:00	12:30 - 16:30
Tuesday	08:00 - 12:00	12:30 - 16:30
Wednesday	08:00 - 12:00	12:30 - 16:30
Thursday	08:00 - 12:00	12:30 - 16:30
Friday	08:00 - 12:00	12:30 - 15:30

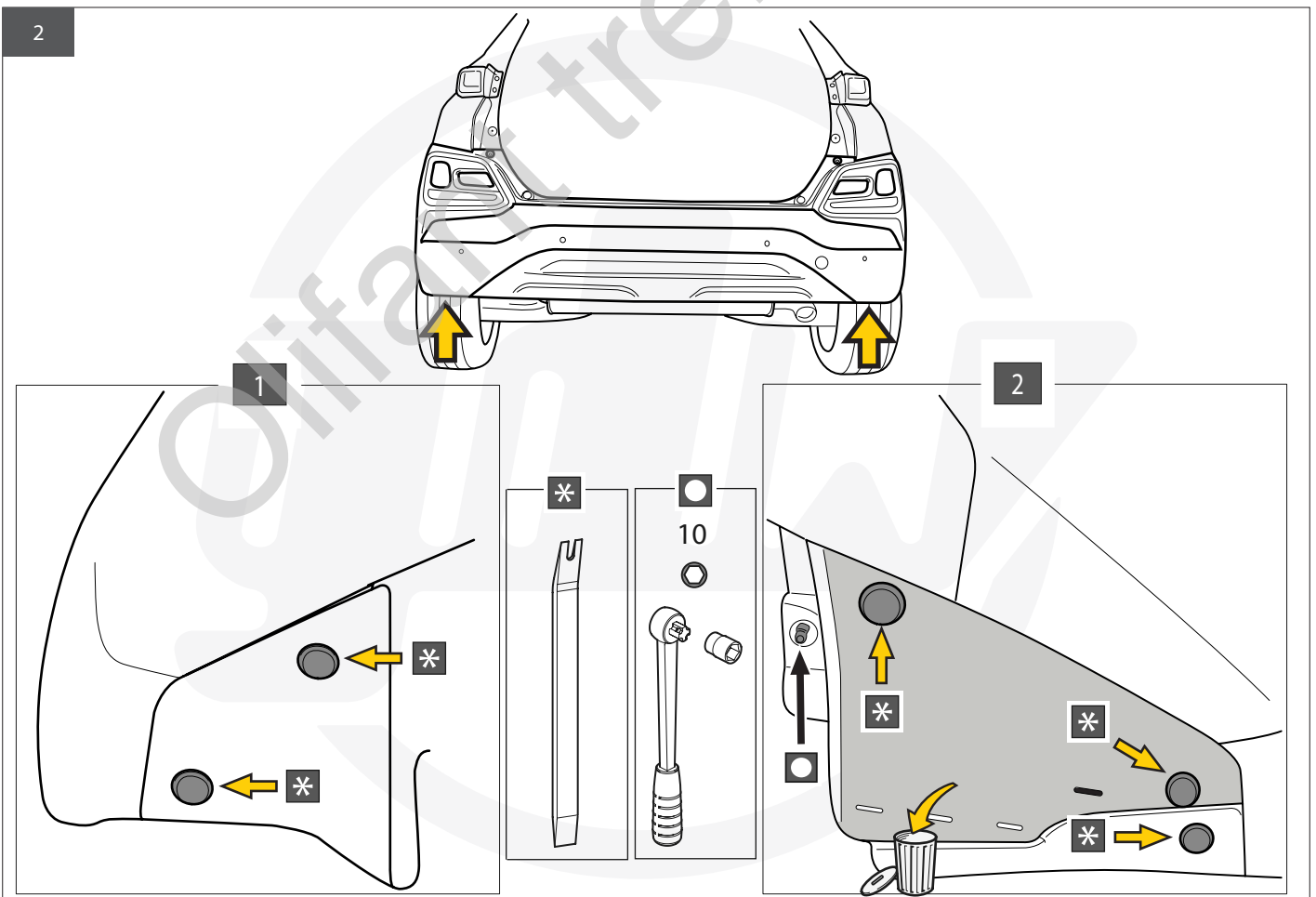
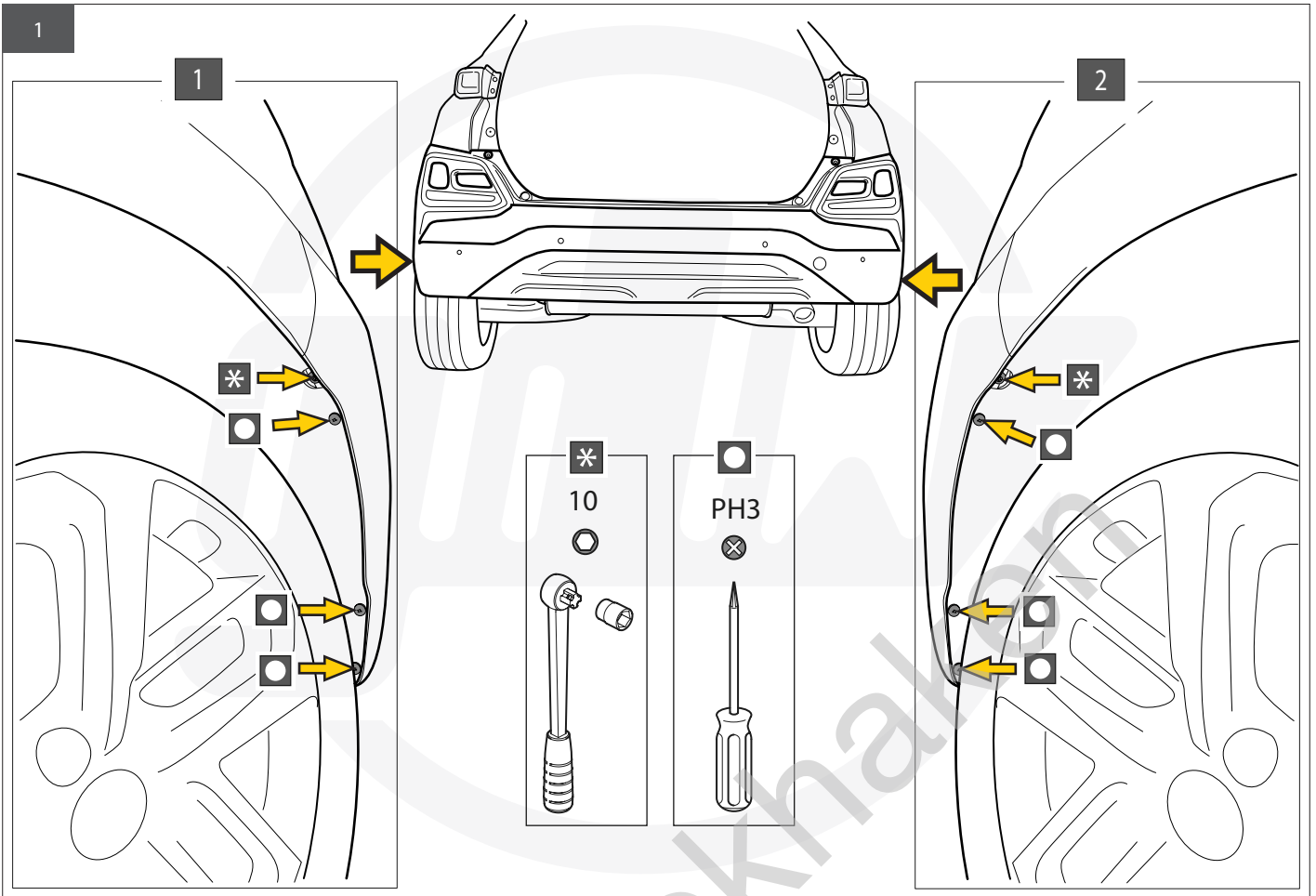


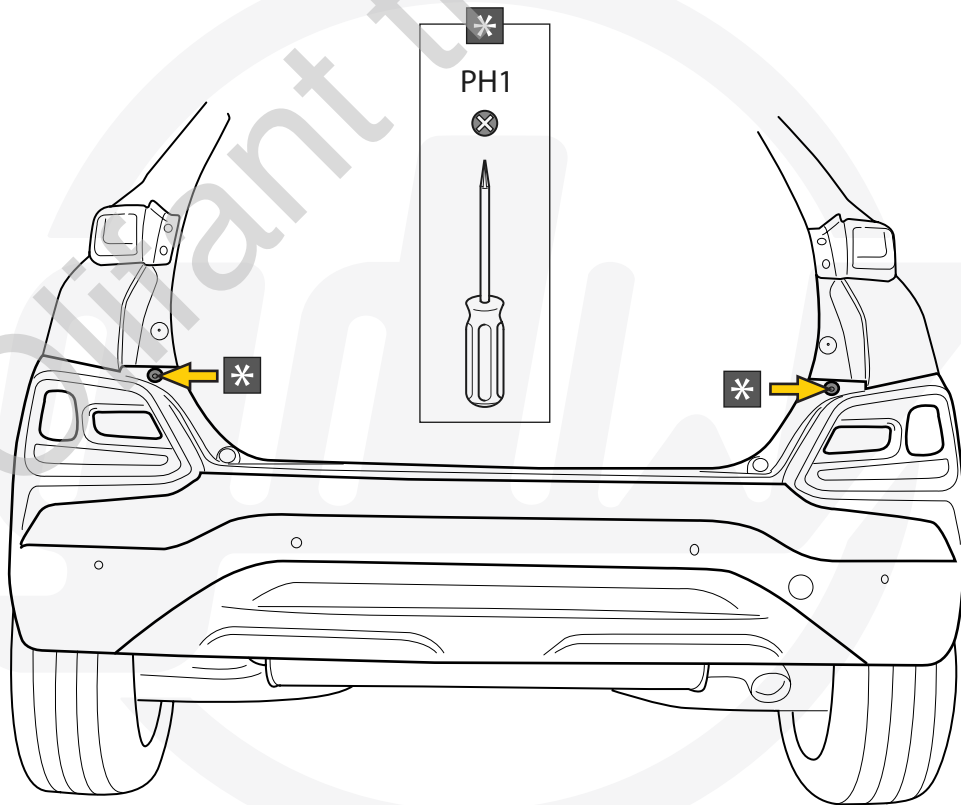
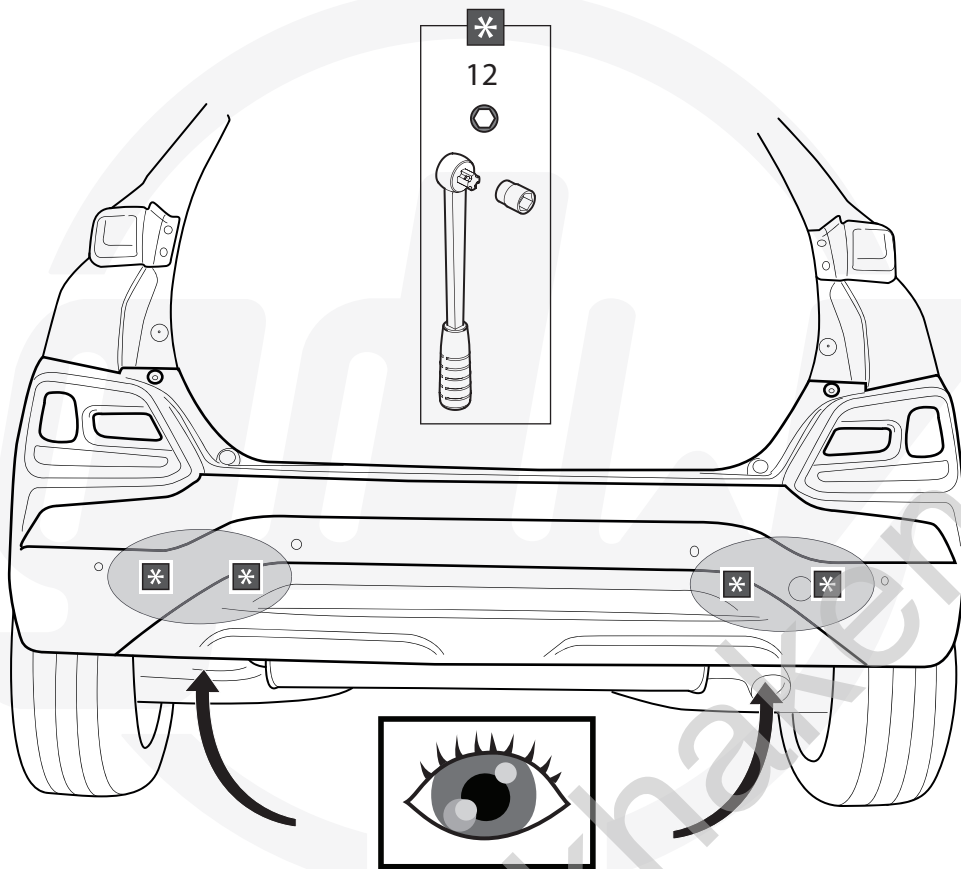


1		X1	GDW REF. 2521T60
2		X2	GDW REF. 2
3		X1	GDW REF. 3
4		X1	GDW REF. 4
5		X6	DIN933-M12 X 40
6		X6	DIN933-M10 X 40
7		X6	DIN125-A10-140HV-ELVZ
8		X6	DIN128A-M10
9		X6	DIN934-M10
10		X6	DIN125-A12-140HV-ELVZ
11		X6	DIN128A-M12
-S		X1	GDW REF. 900.053
-V		X1	GDW REF. 908.095

-P		X1	GDW REF. P39
└		X1	DIN985-M6
└		X2	6,2 X 15,4 X 1,6 (NYLON)
└		X1	GDW REF. 718.16.002
└		X1	GDW REF. 718.16.003
└		X1	GDW REF. 908.094
└		X1	DIN933-M6 X 30
└		X1	GDW REF. 908.095

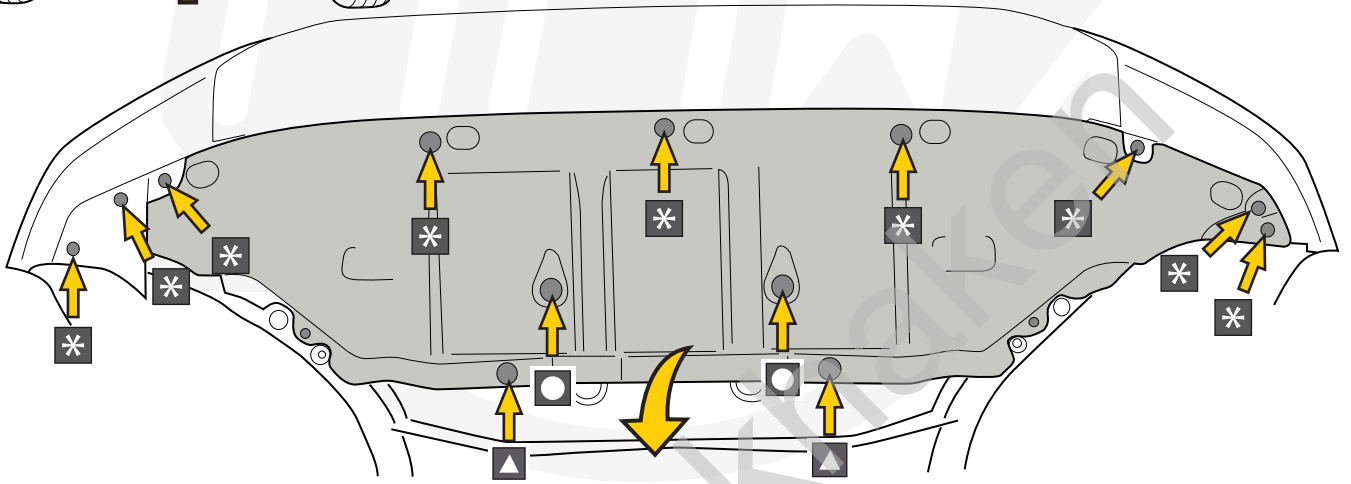
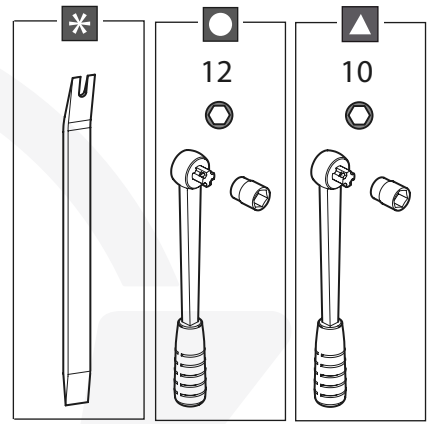
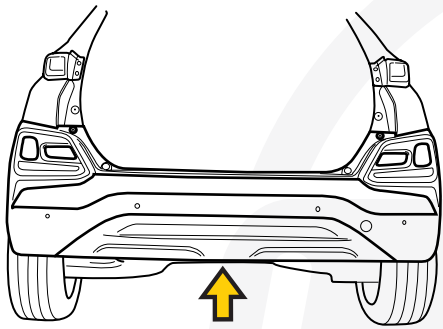
Geleverd met - Livré avec - Delivered with Gefleiert mit - Elementos adjuntos - Leverages med		X1	GDW REF. 960.V0608
└		X1	GDW REF. 740.200
		X1	GDW REF. 912.003
└		X1	GDW REF. 740.112
└		X1	GDW REF. 740.111
		X1	GDW REF. 740.12X X=LAST NUMBER ON KEY
		X1	GDW REF. 718.15.001
		X1	GDW REF. SYST60-10
└		X3	DIN931-M12X110-8.8
└		X3	DIN128A-M12
└		X6	DIN125A-M12
└		X3	DIN934-M12





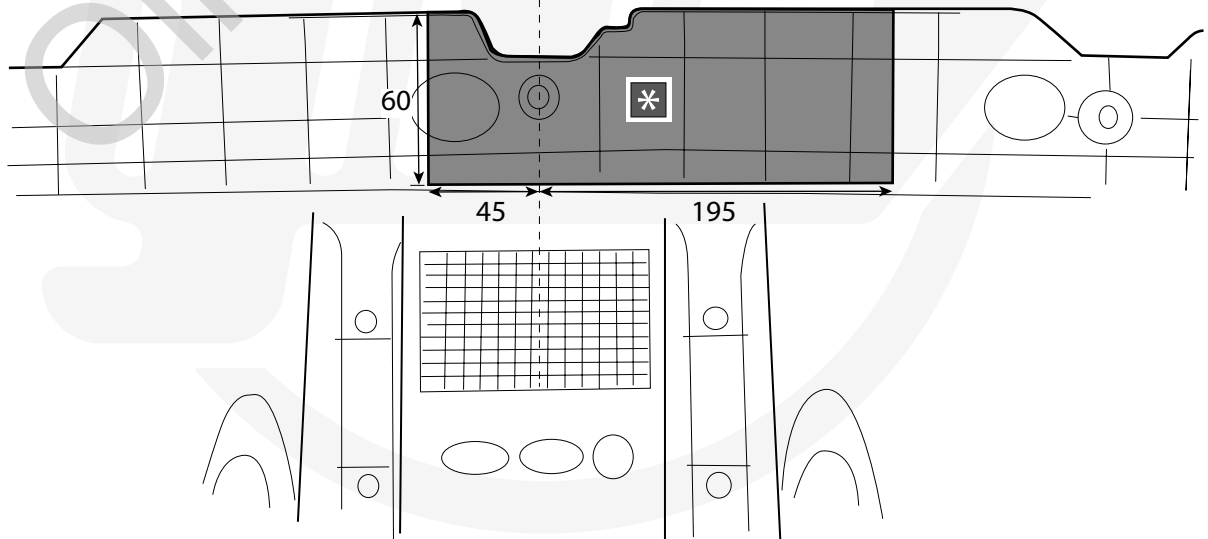
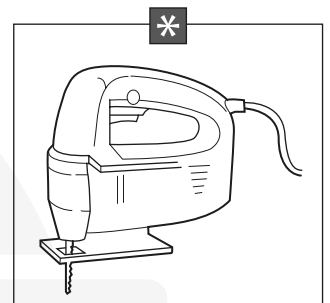
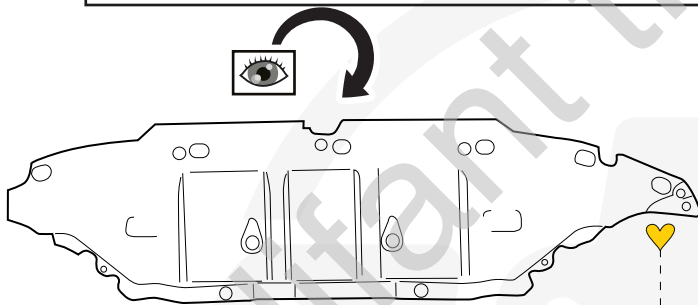
5

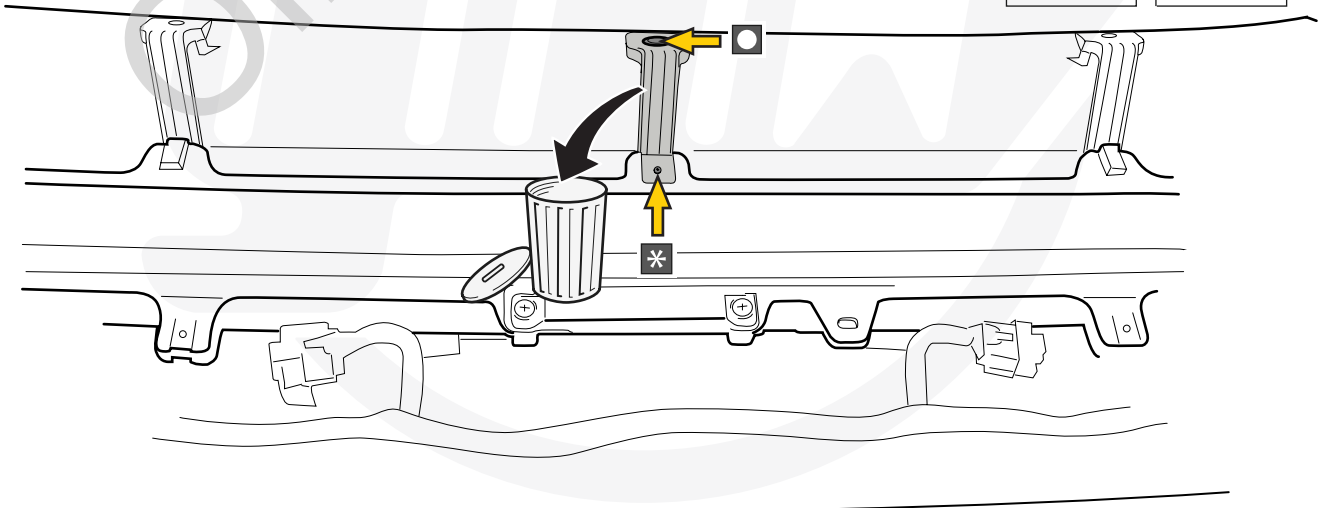
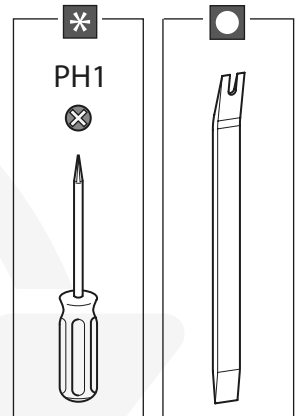
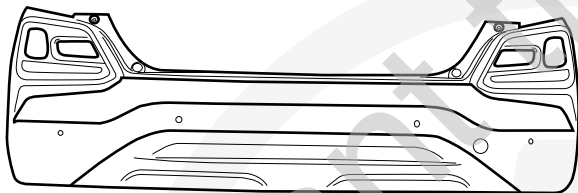
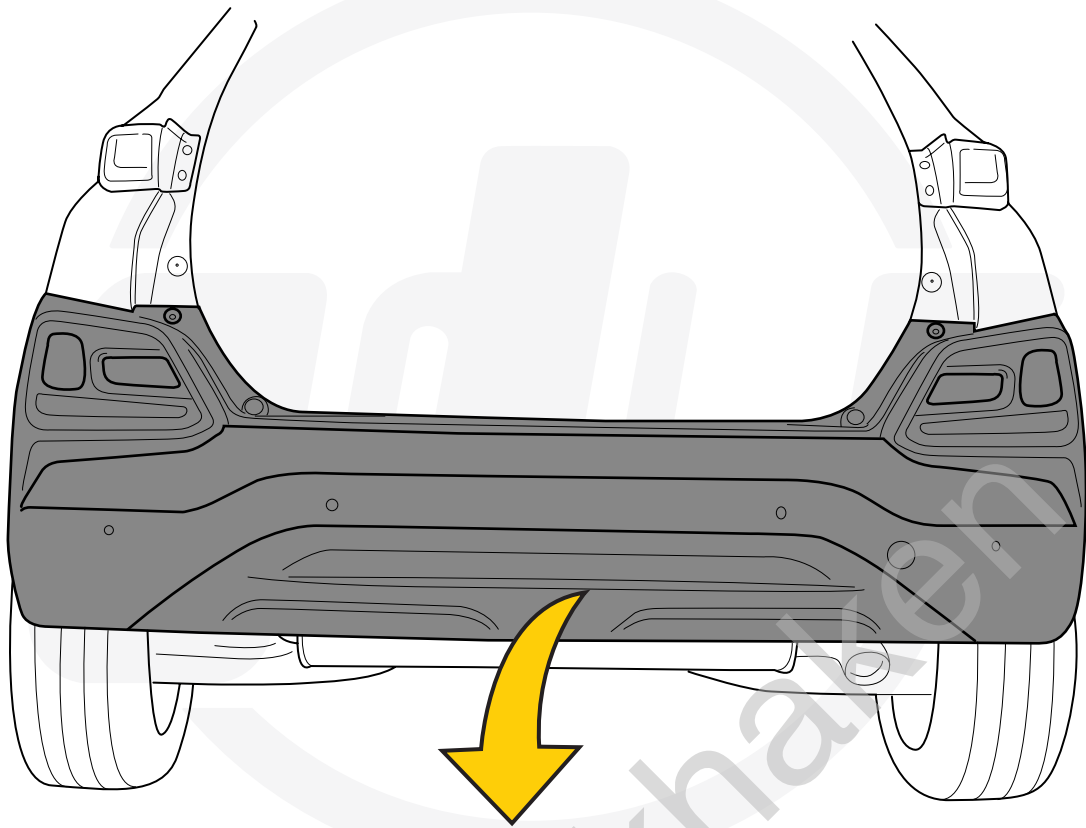
KONA EV MY2021-

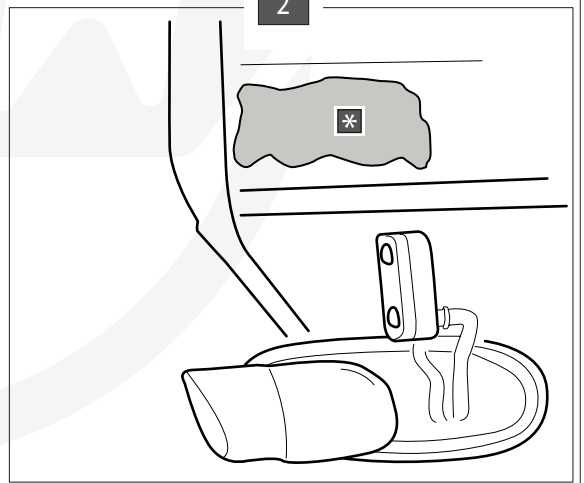
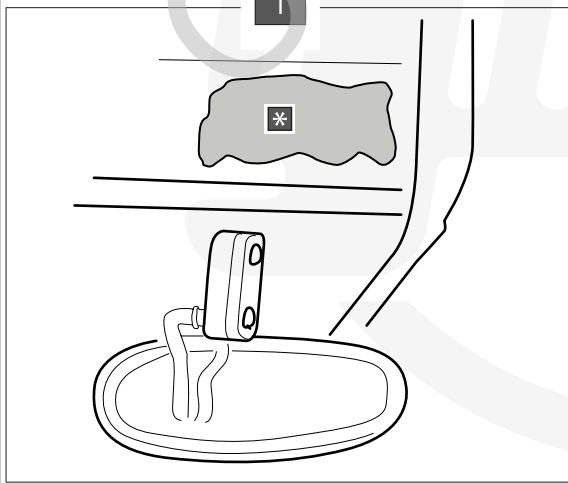
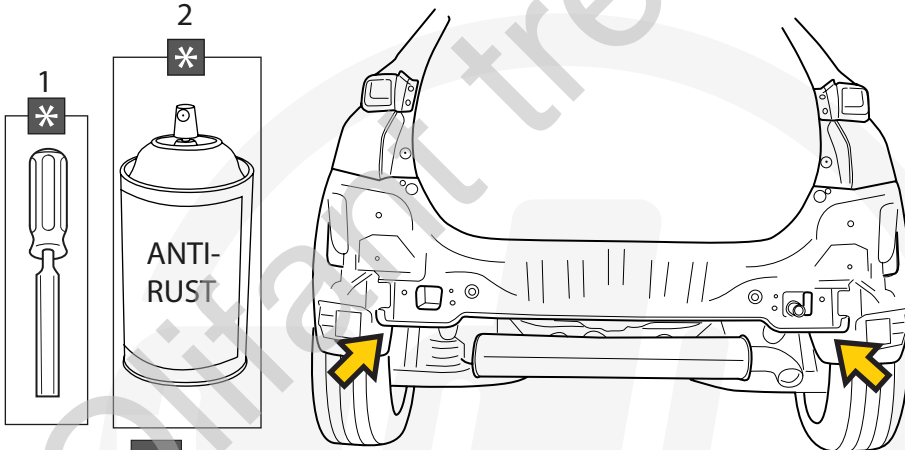
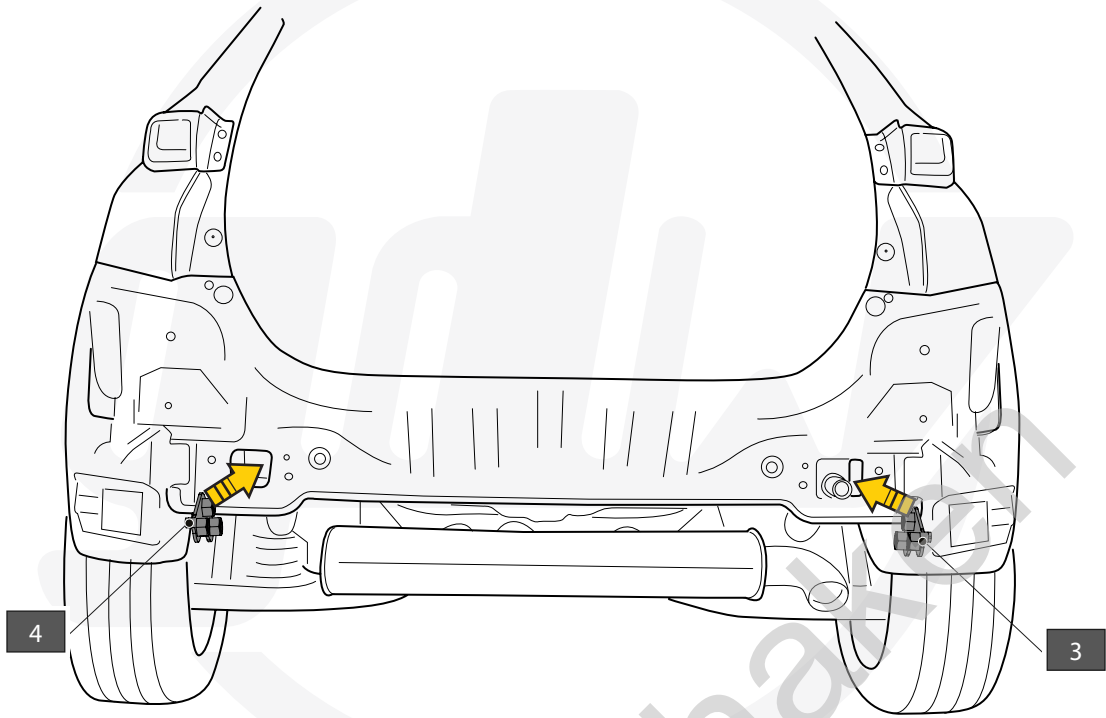


6

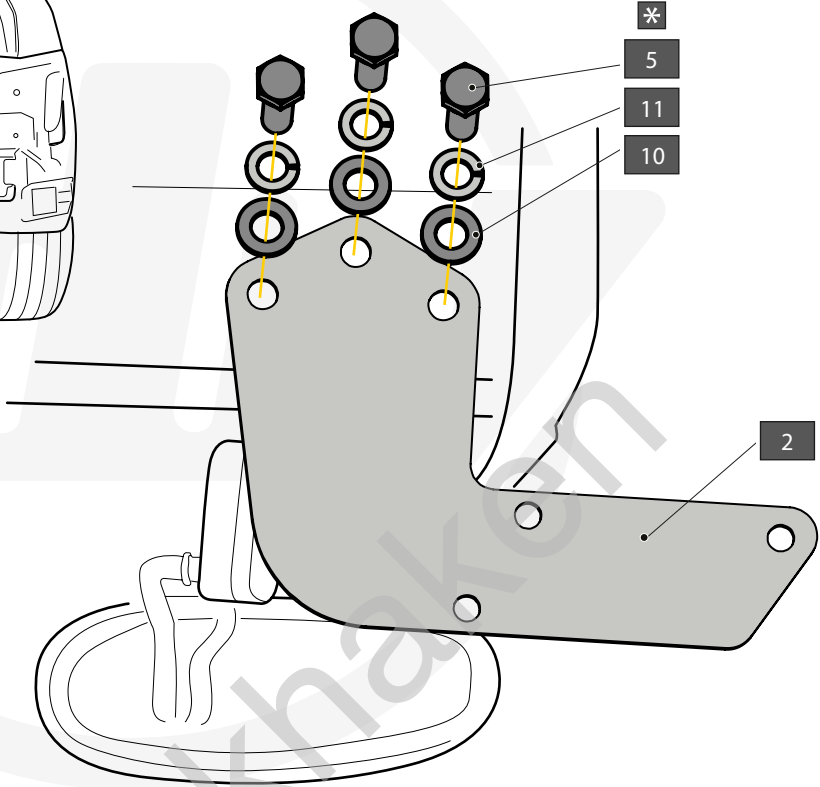
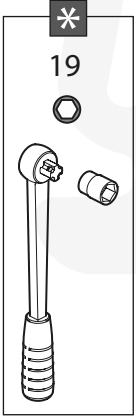
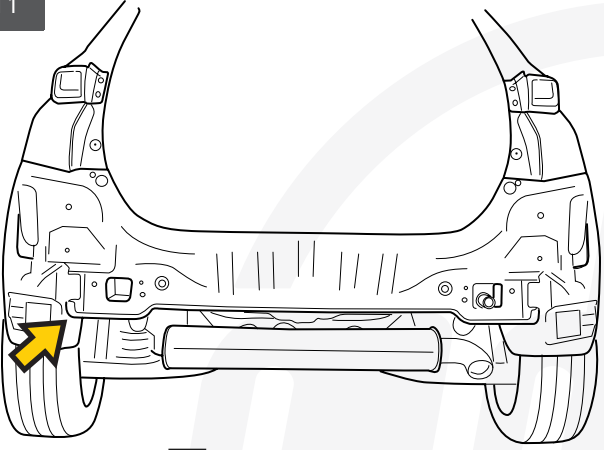
KONA EV MY2021-



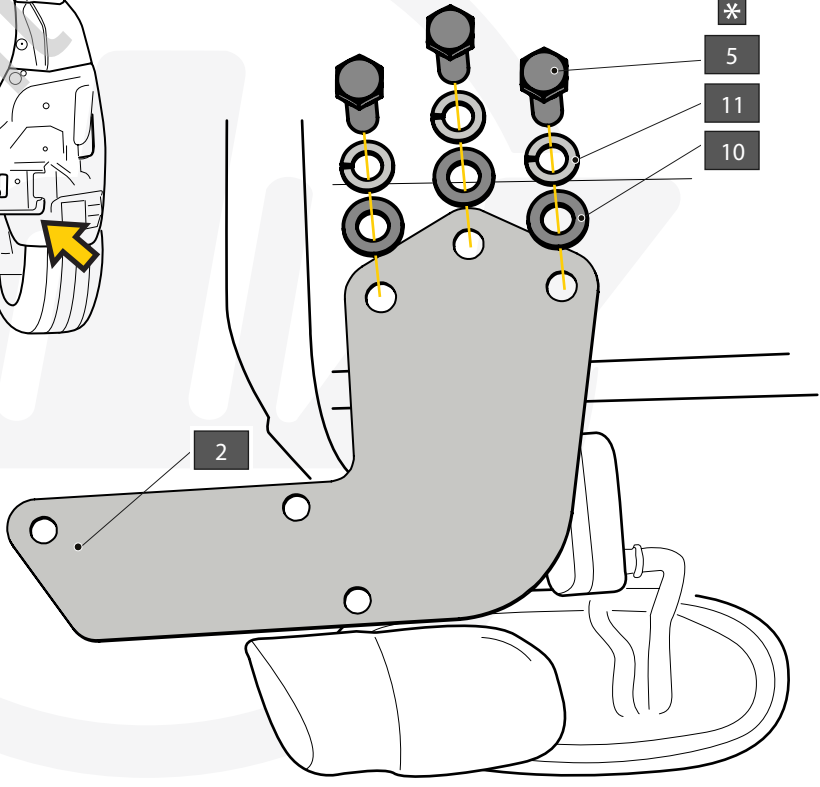
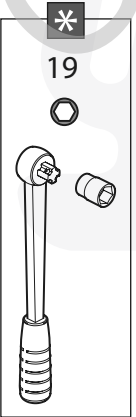
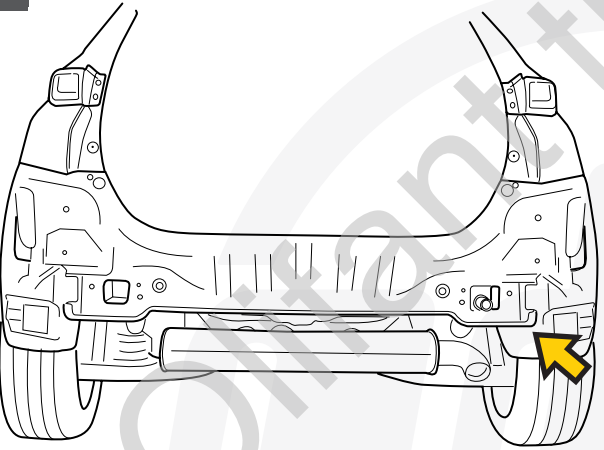


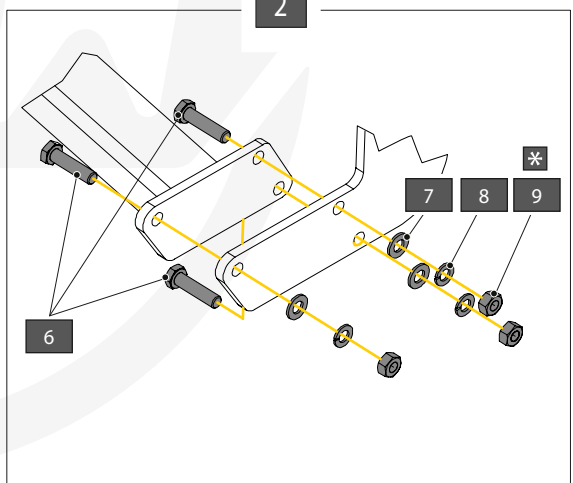
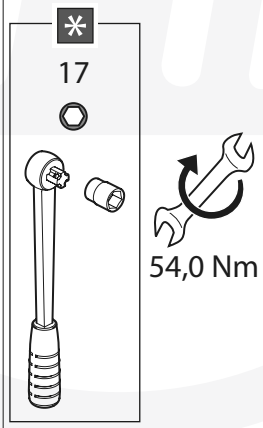
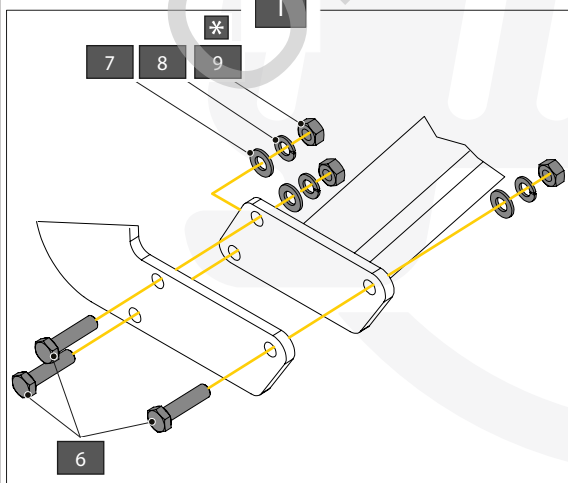
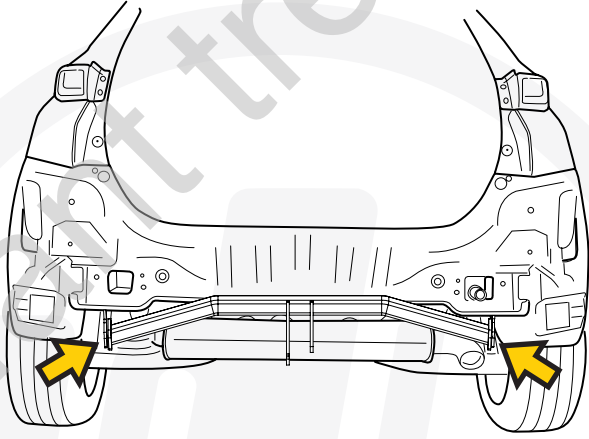
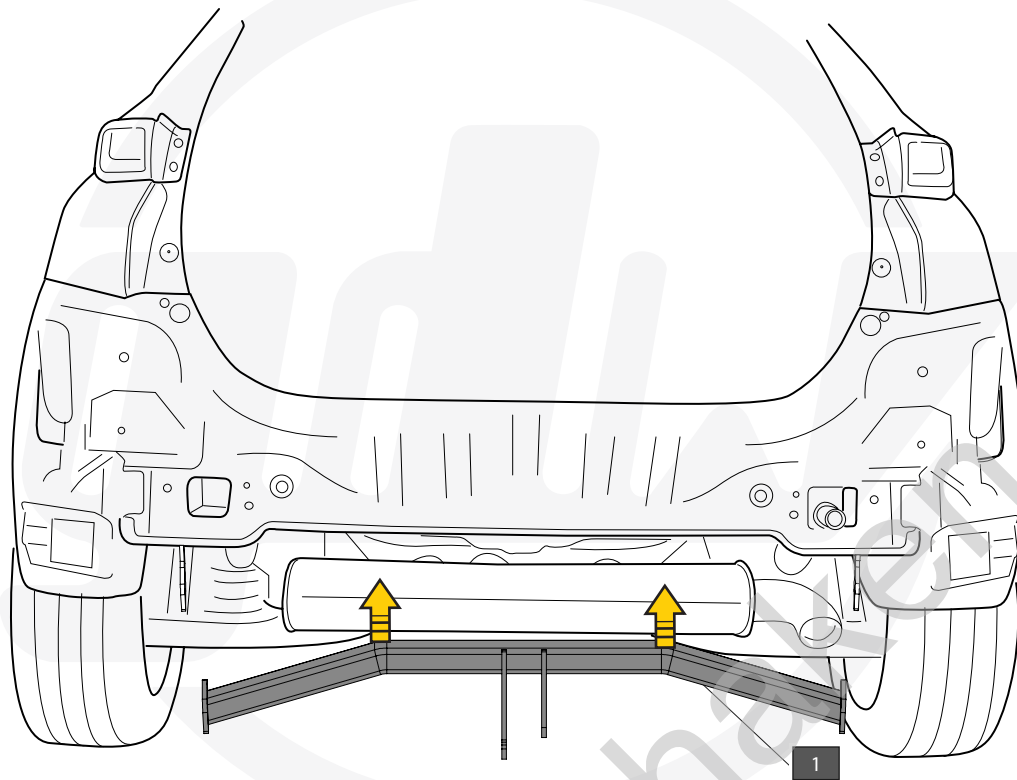


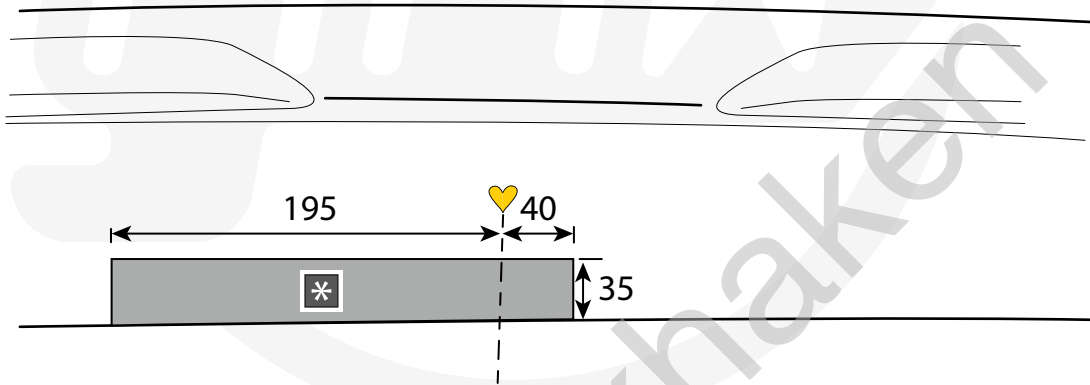
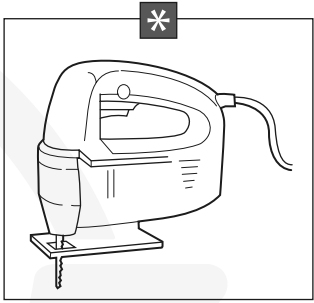
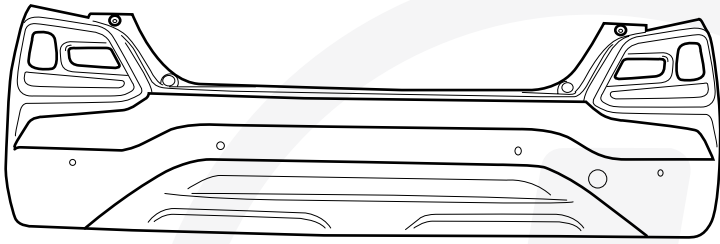
11



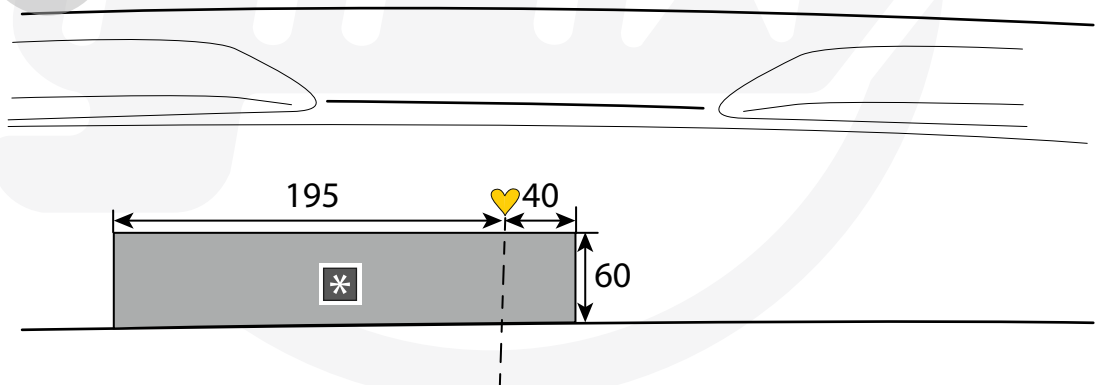
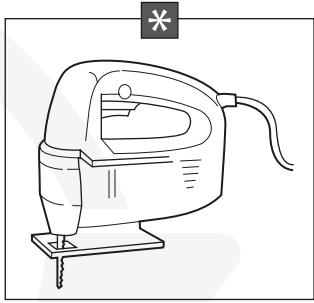
12

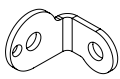




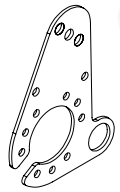
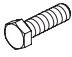


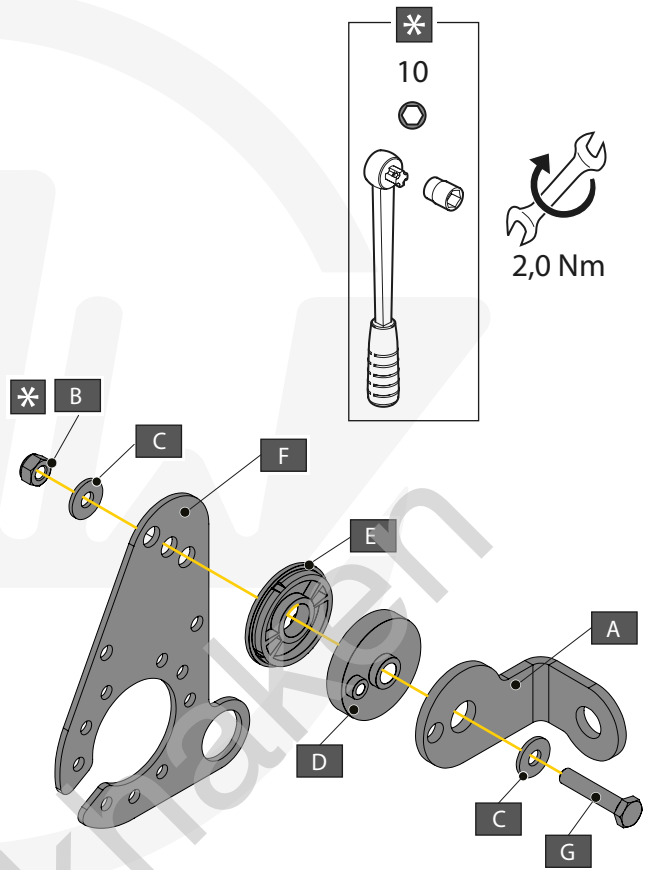


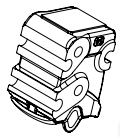






KONA EV MY2021-



A		X1	GDW REF. 908.095
B		X1	DIN985-M6
C		X2	6,2 X 15,4 X 1,6 (NYLON)
D		X1	GDW REF. 718.16.002
E		X1	GDW REF. 718.16.003
F		X1	GDW REF. 908.094
G		X1	DIN933-M6 X 30



A		X1	912.003
B		X3	DIN931-M12X110
C		X3	DIN128A-M12
D		X6	DIN125A-M12
E		X3	DIN934-M12

