

AUTO-HAK Sp. z o.o.

ul. Słoneczna 16K 76-200 SŁUPSK
POLAND

tel/fax +48 59 8 414 414; +48 59 8 414 413

e-mail: office@autohak.com.pl

www.autohak.com.pl



AUTO-HAK

HYUNDAI KONA

+ Hybrid, + Electric

~~N-Line~~

Nr kat.

J90A



05.2023 →



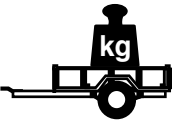
E20*55R02*6702



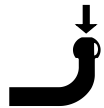
2h



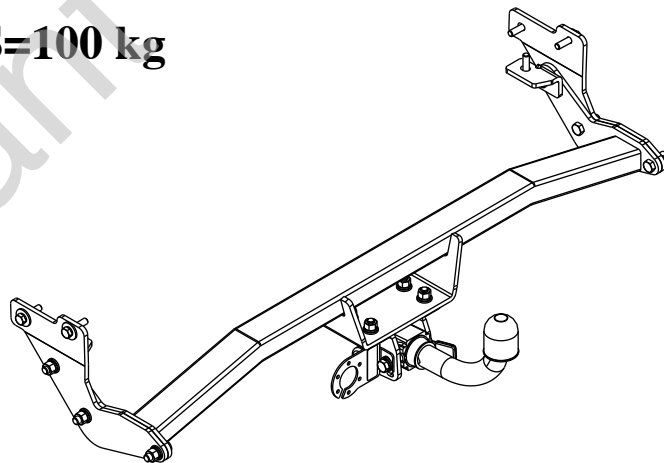
8,50 kN



R=1500 kg



S=100 kg



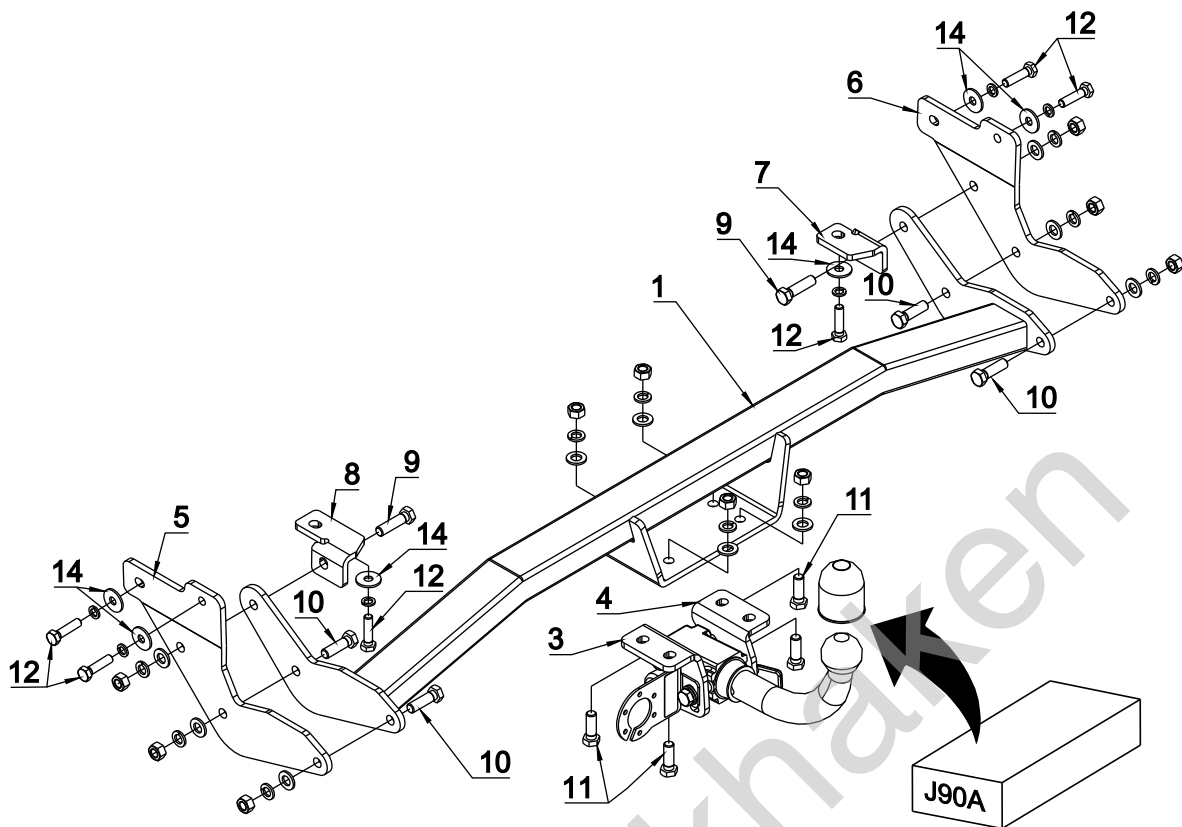
| śruba | Nm | M6 | M8 | M10 | M12 | M14 | M16 |
|------------|----|-----|----|-----|-----|-----|-----|
| klasa 8.8 | | 9,9 | 24 | 48 | 83 | 132 | 200 |
| klasa 10.9 | | 14 | 34 | 67 | 117 | 185 | 285 |

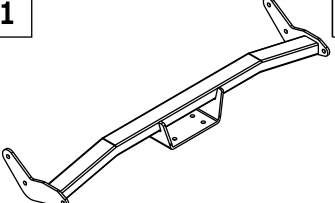

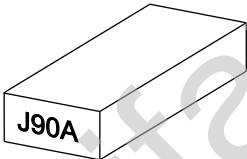






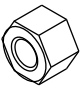

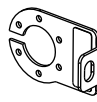

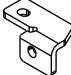


0 km →

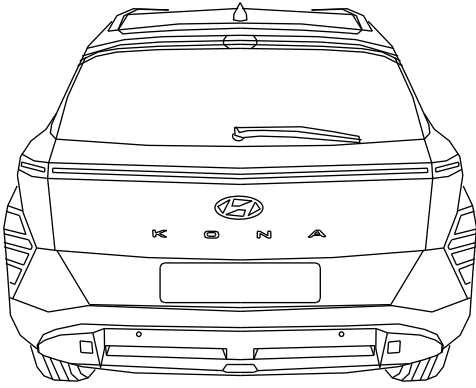


1000 km

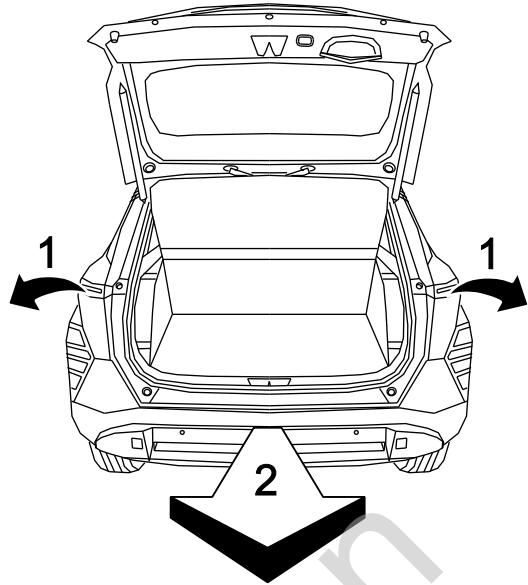


| | | | | | | |
|---|---|-----|---|----|--|------|
| 1 |  | x 1 |  | 9 | M12x45 | x 2 |
| 2 |  | x 1 |  | 10 | M12x40 | x 4 |
| | | | | 11 | M12x35 | x 4 |
| 3 |  | x 1 |  | 12 | M10x40x1.25 | x 6 |
| | | | | 13 | ∅ 13 | x 14 |
| | | | | 14 | ∅ 30x∅10.5x2.5 10 (DIN 9021) | x 6 |
| 4 |  | x 1 |  | 15 | ∅ 12.2 | x 14 |
| | | | | 16 | ∅ 10.2 | x 6 |
| 5 |  | x 1 |  | 17 | M12 | x 10 |
| 6 |  | x 1 | | 18 |  | x 1 |
| 7 |  | x 1 | Art.nr-BL1J90A | | | |
| 8 |  | x 1 | | | | |

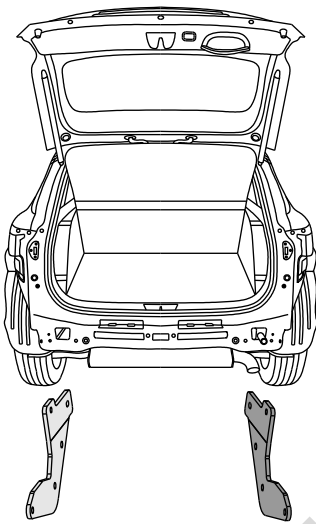
01



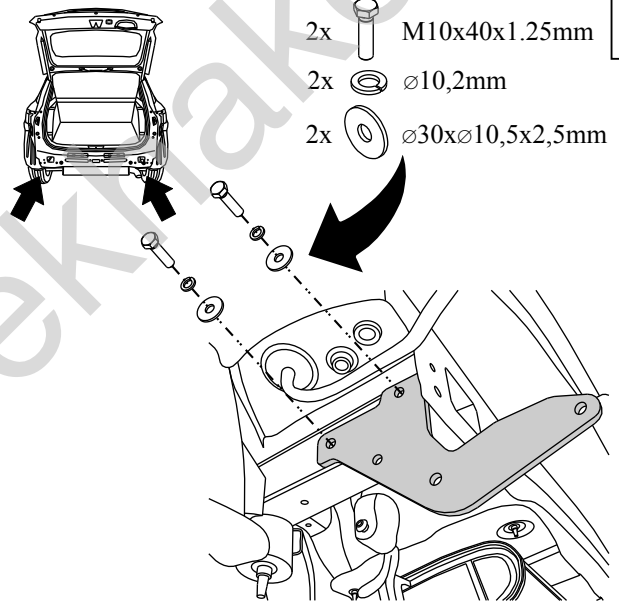
02



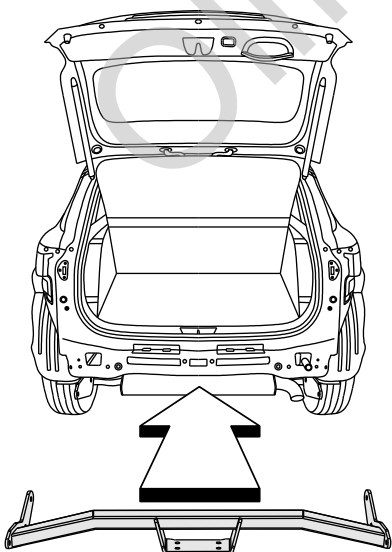
03



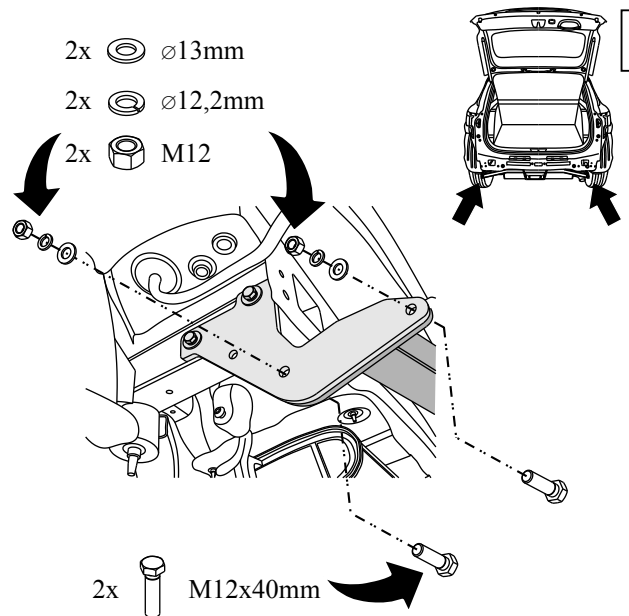
04

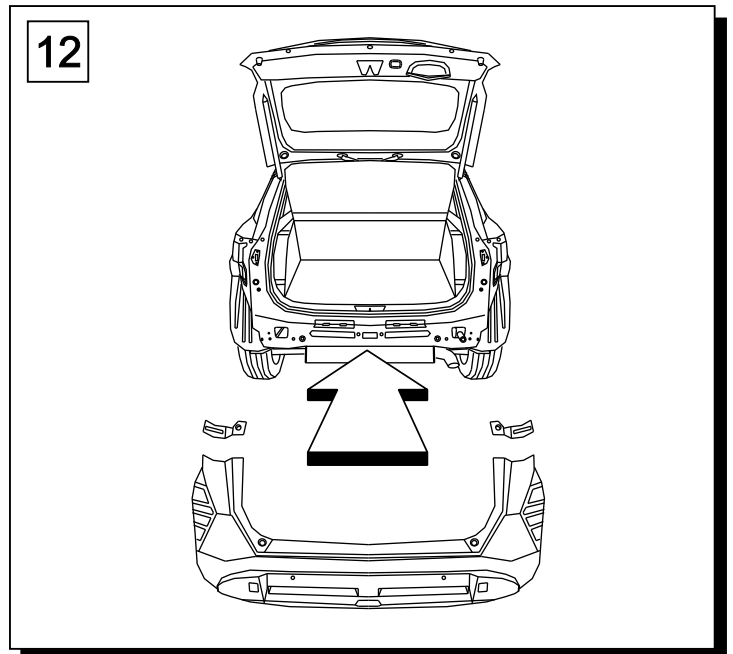
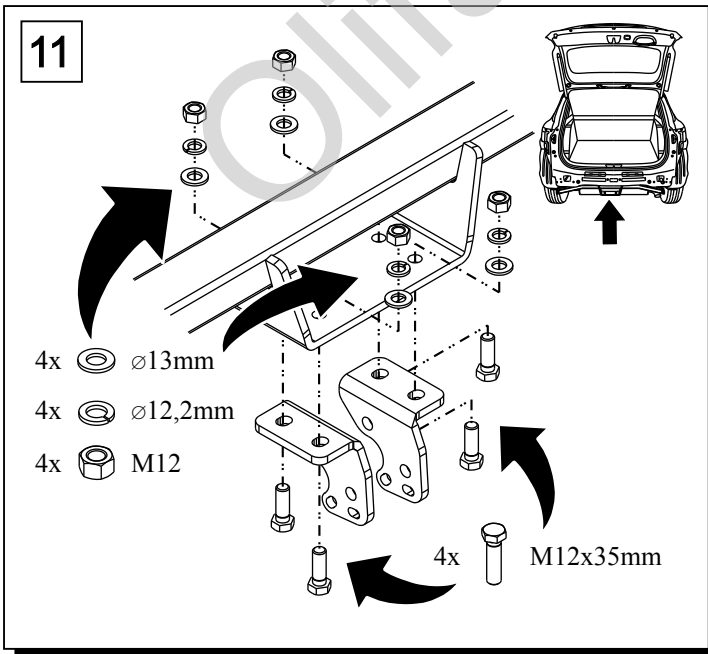
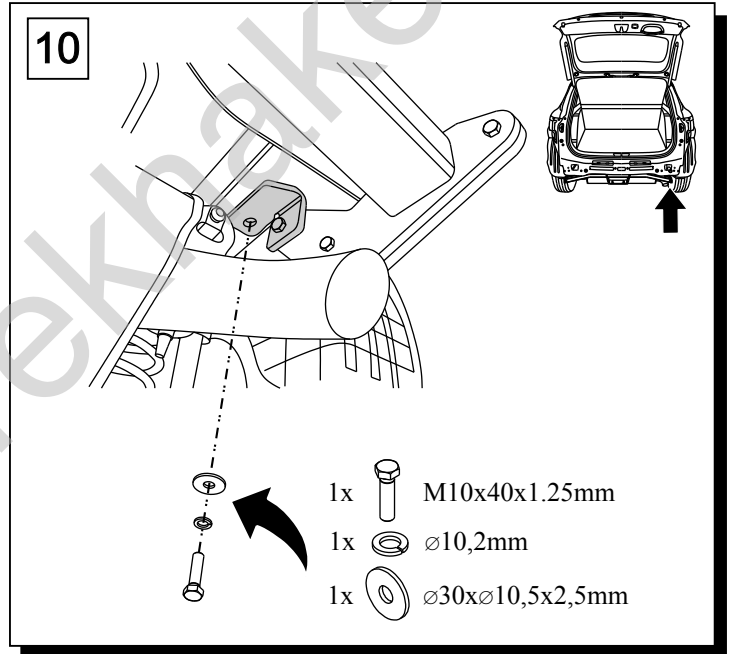
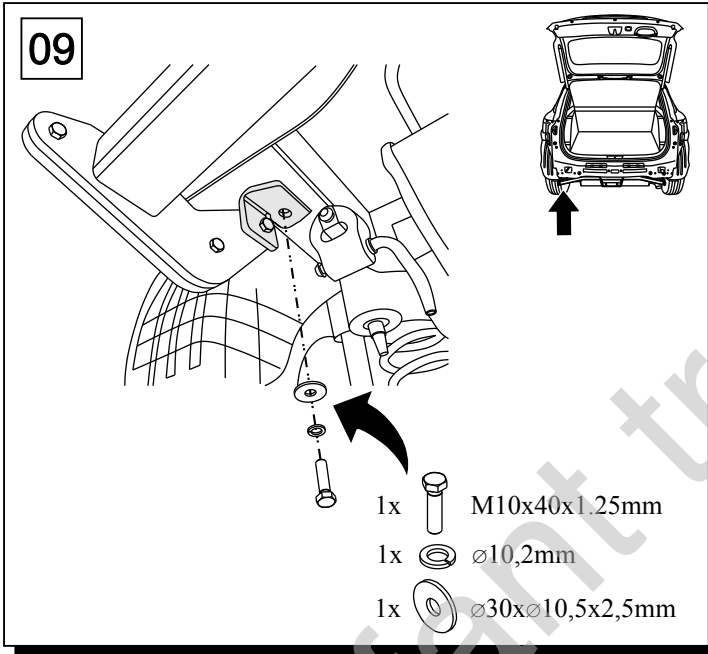
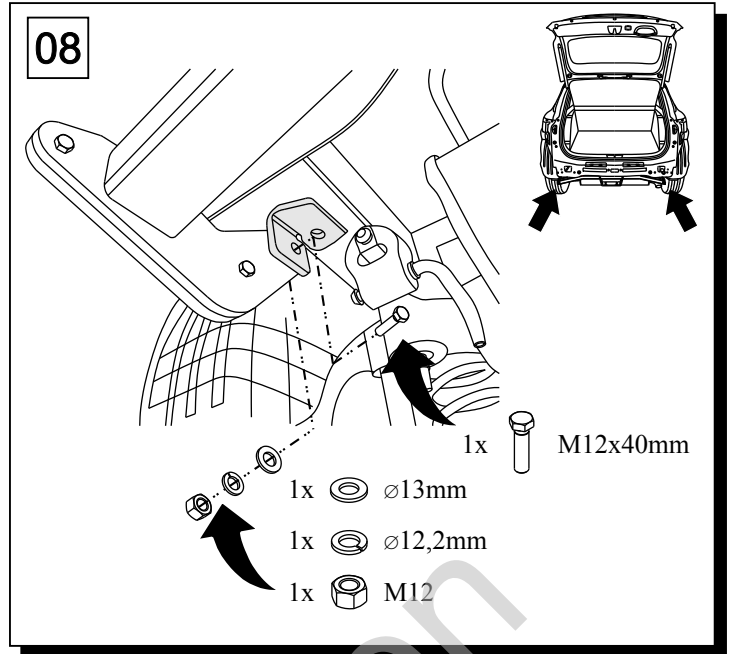
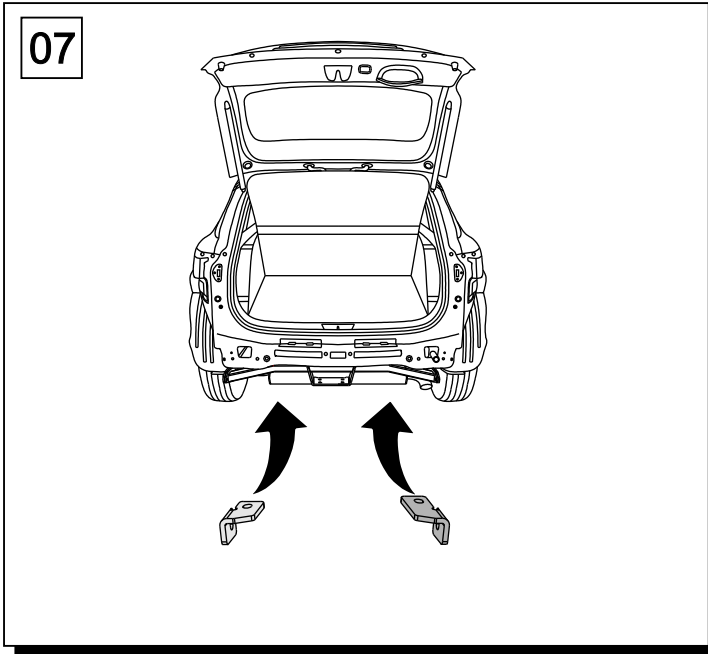


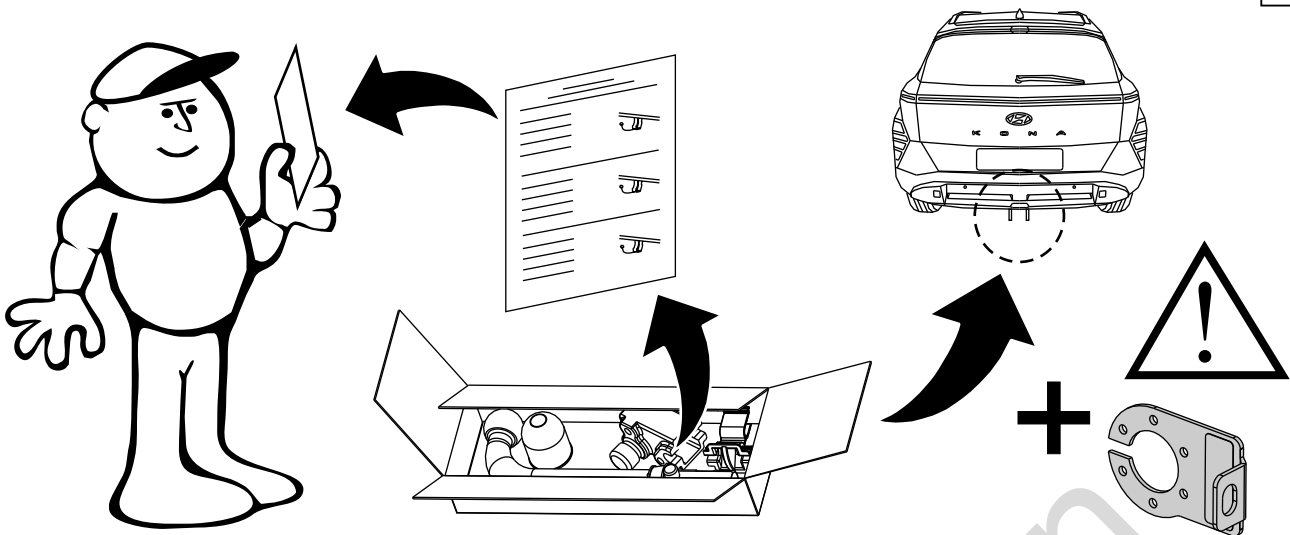
05



06







Olifant trekhaken

