

**AUTO-HAK Sp. z o.o.**

ul. Słoneczna 16K 76-200 SŁUPSK  
POLAND

tel/fax +48 59 8 414 414; +48 59 8 414 413

e-mail: [office@autohak.com.pl](mailto:office@autohak.com.pl)

[www.autohak.com.pl](http://www.autohak.com.pl)



**AUTO-HAK**

**VOLKSWAGEN  
MULTIVAN STM, STN**

Nr kat.

**K79A**



**06.2021 →**



**E20-55R-02 6362**



**12,0 kN**



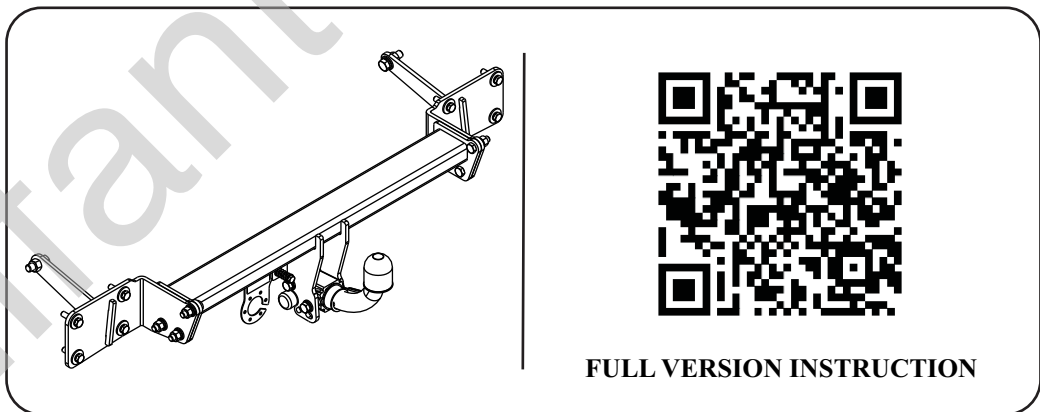
**R=2000 kg**



**S=80 kg**



**2h**



FULL VERSION INSTRUCTION



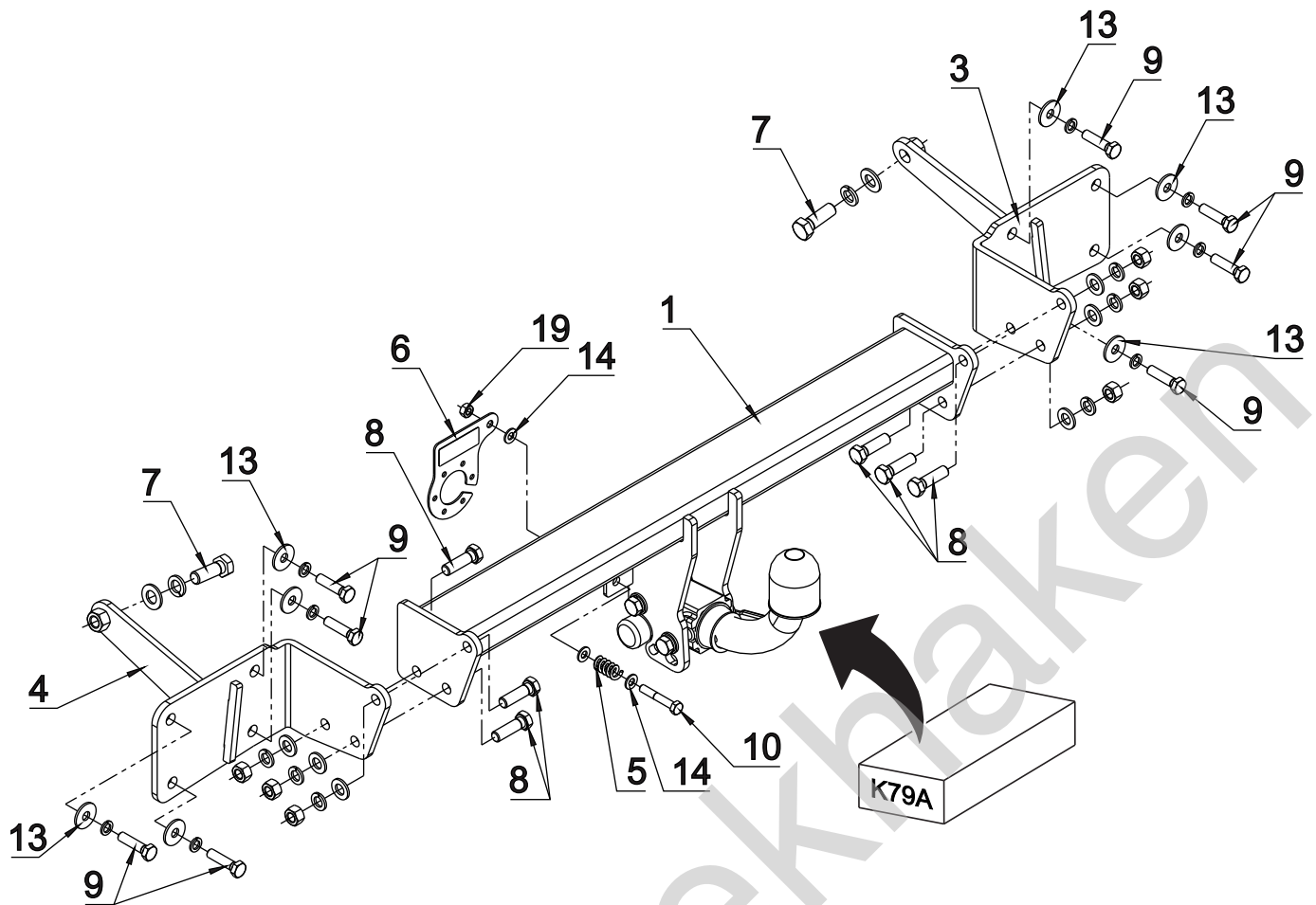
śruba	Nm	M6	M8	M10	M12	M14	M16
klasa 8.8		9,9	24	48	83	132	200
klasa 10.9		14	34	67	117	185	285

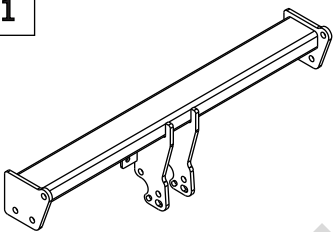

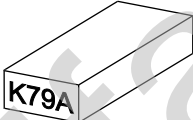

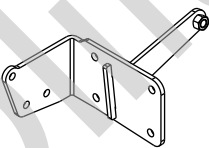

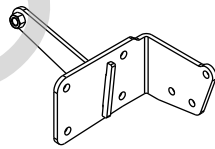

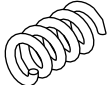

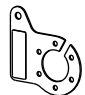



**0 km →**



**1000 km**



	x1		7	M14x40	x2
			8	M12x40	x6
			9	M10x40	x8
			10	M8x50	x1
 Art.nr-KL1K79A	x1		11	∅ 15	x2
			12	∅ 13	x6
	x1		13	∅ 30x∅10.5x2.5 10 (DIN 9021)	x8
			14	∅ 8.4	x3
			15	∅ 14.2	x2
	x1		16	∅ 12.2	x6
			17	∅ 10.2	x8
	x1		18	M12	x6
			19	M8 (DIN985)	x1
	x1				
Art.nr-BL1K79A					

