

PPUH AUTO-HAK Sp.J.

Henryk i Zbigniew Nejman
ul. Słoneczna 16K 76-200 SŁUPSK
POLAND

tel/fax +48 59 8 414 414; +48 59 8 414 413

e-mail: office@autohak.com.pl

www.autohak.com.pl



AUTO-HAK



**HONDA CIVIC TOURER
KOMBI**

Cat. no:

Y40A



02.2014 →



E20-55R-01 3819



8,32 kN



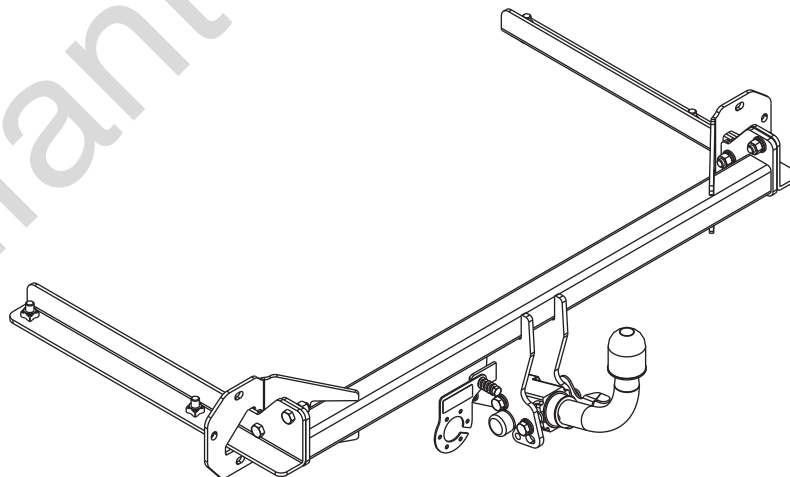
2h



R=1500 kg



S=75 kg



**M6 - 11 Nm
M10 - 50 Nm
M14 - 138 Nm**

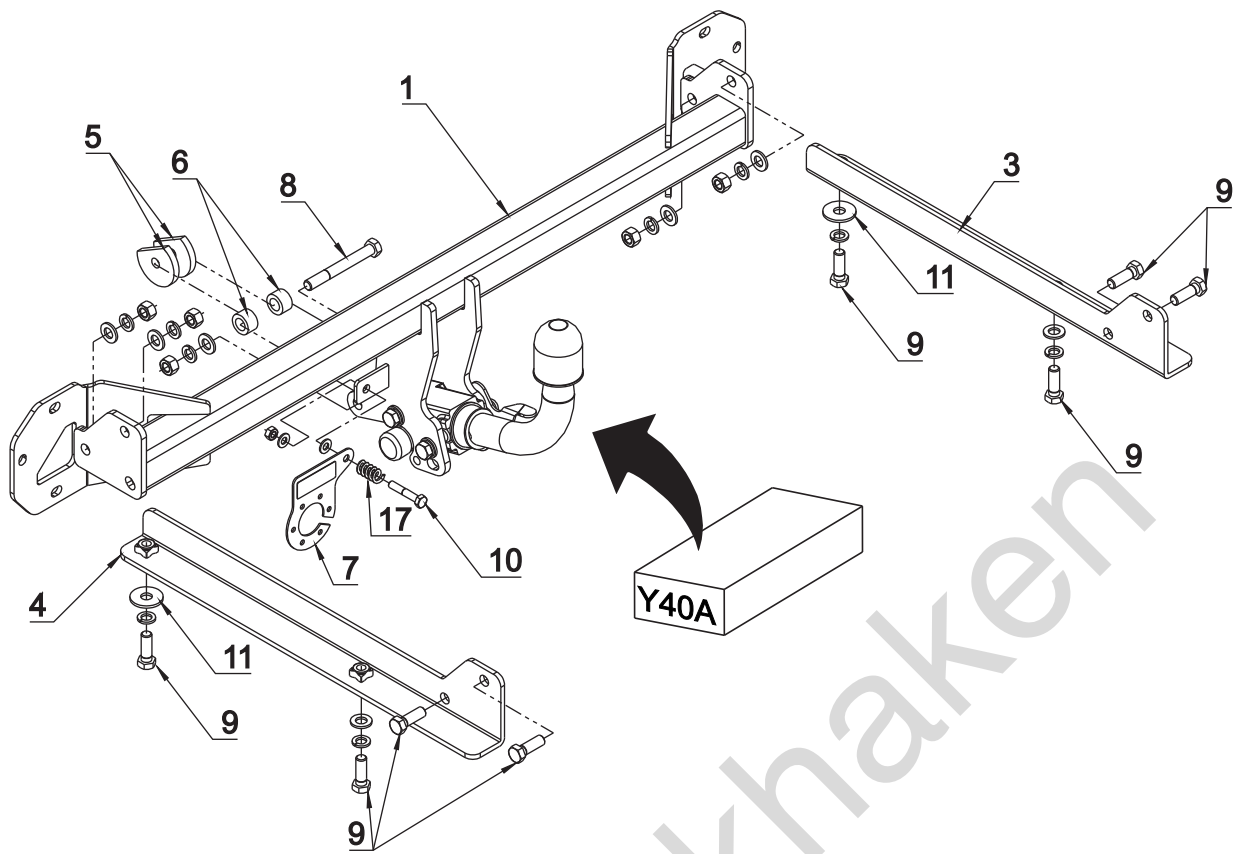
**M8 - 25 Nm
M12 - 87 Nm
M16 - 210 Nm**

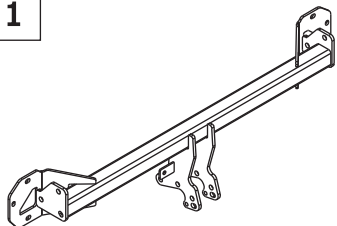

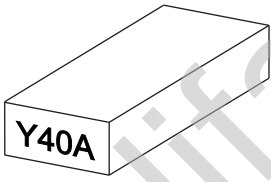

















0 km →

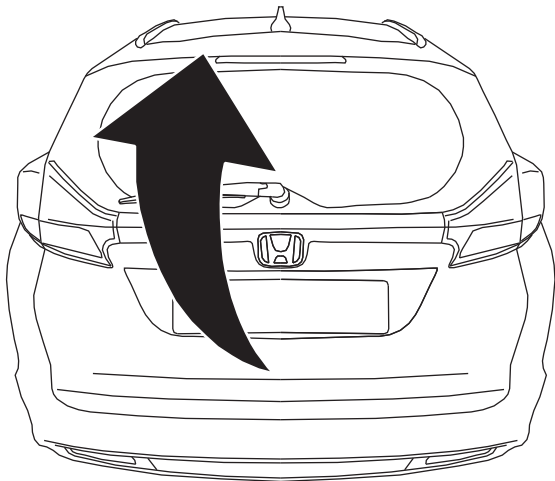


1000 km

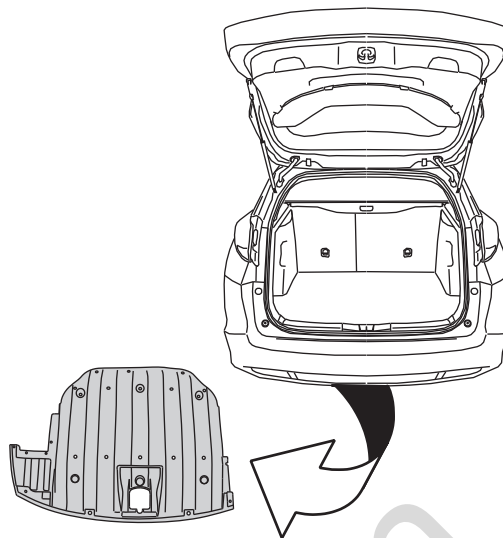


	x 1		8 M12x100	x 1
	x 1 Art.nr-KL1Y40A Art.nr-Z100		9 M12x35	x 8
	x 1		10 M8x45	x 1
	x 1		11 ϕ 13	x 7
	x 2		12 ϕ 37x ϕ 13x3	x 2
	x 2 ϕ 25x5mm L=15mm		13 (DIN 9021)	x 2
	x 1 Art.nr-BL1Y40A		14 ϕ 12.2	x 9
	x 1		15 M12	x 5
			16 M8	x 1
			17	x 1

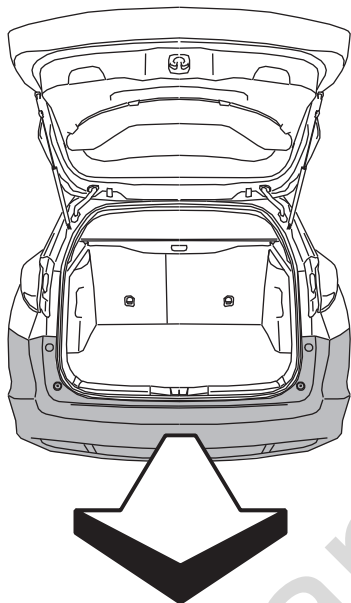
01



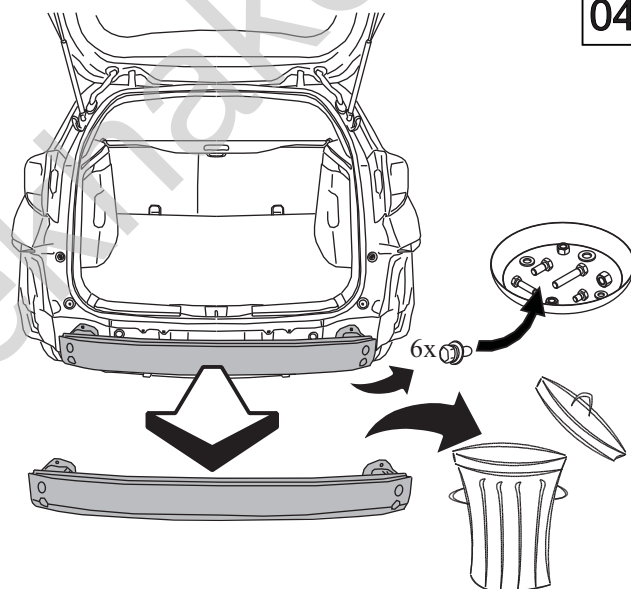
02



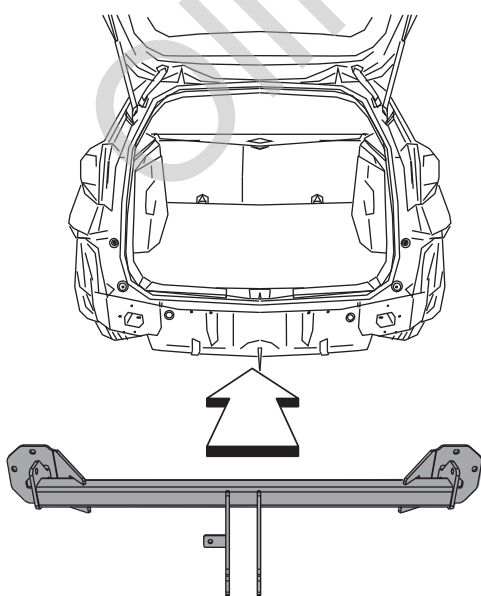
03



04



05



06

