

PPUH AUTO-HAK Sp.J.

Henryk i Zbigniew Nejman
ul. Słoneczna 16K 76-200 SŁUPSK
POLAND

tel/fax +48 59 8 414 414; +48 59 8 414 413

e-mail: office@autohak.com.pl

www.autohak.com.pl



AUTO-HAK

HONDA CIVIC 5D

~~Type - R~~

Cat. no:

Y44A



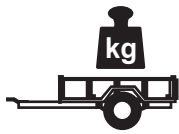
01.2017 →



E20-55R-01 5109



8,5 kN



R=1500 kg



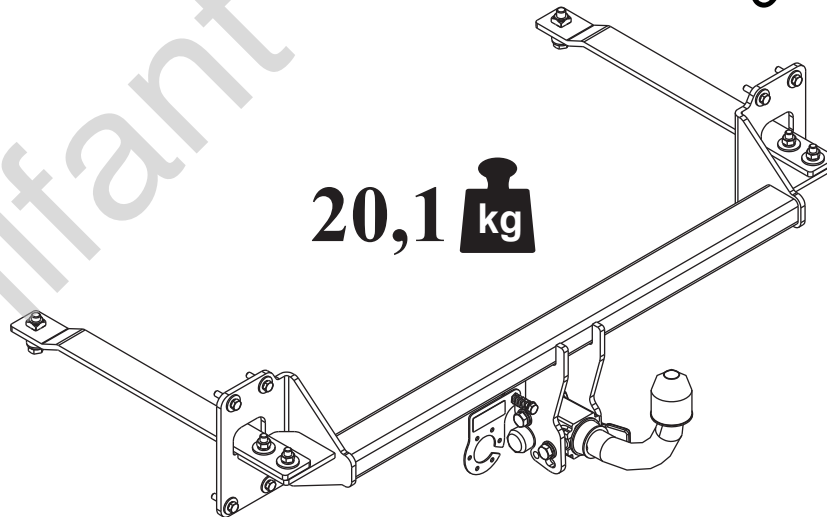
S=100 kg



2h



20,1  kg



M6 - 8,5 Nm
M10 - 41 Nm
M14 - 112 Nm

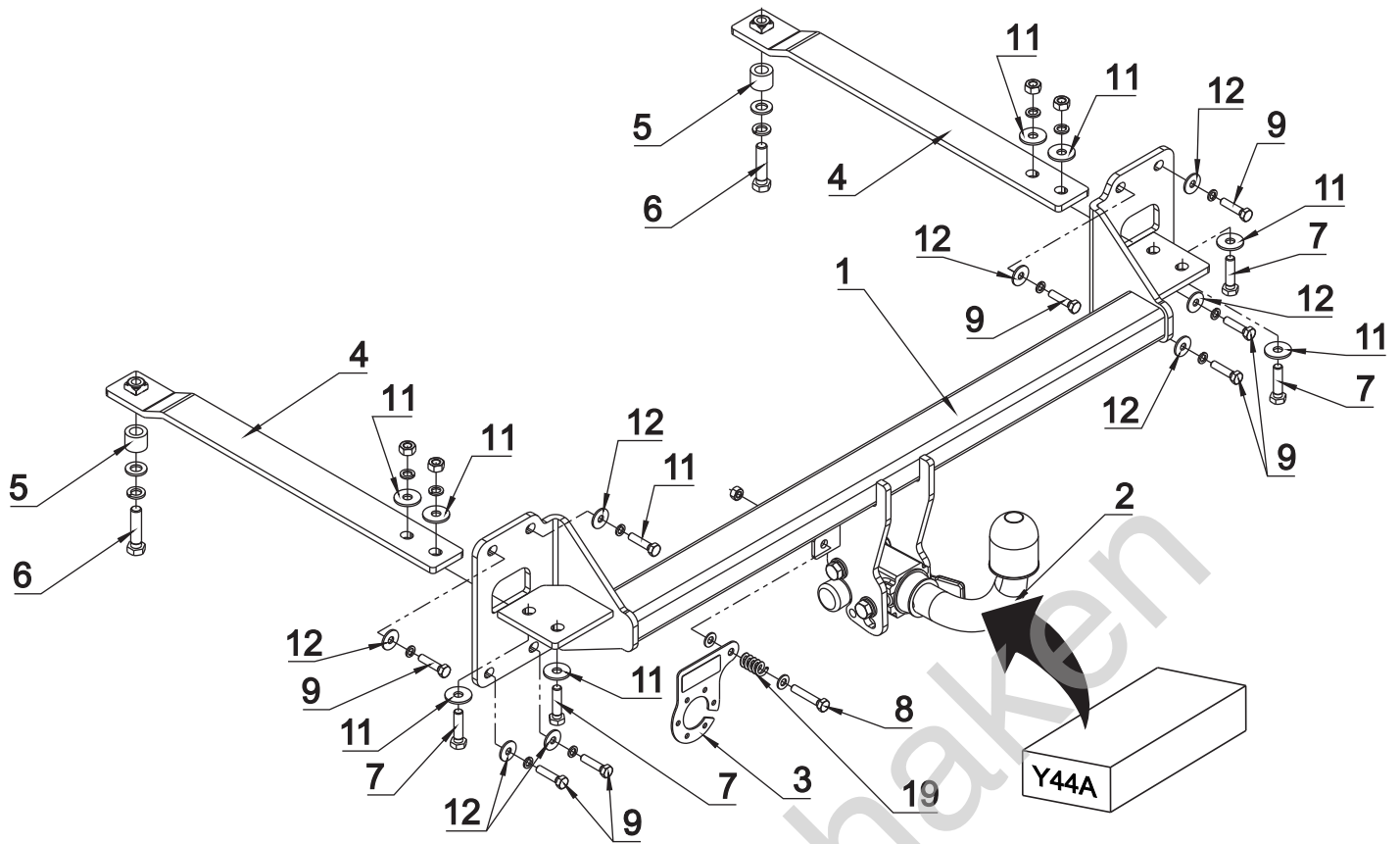
M8 - 20 Nm
M12 - 70 Nm
M16 - 170 Nm

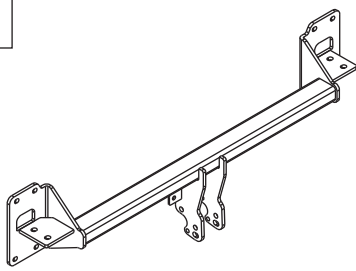

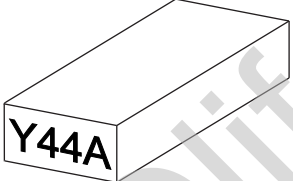





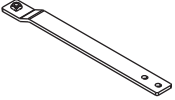


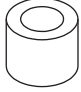





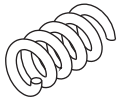


0 km →

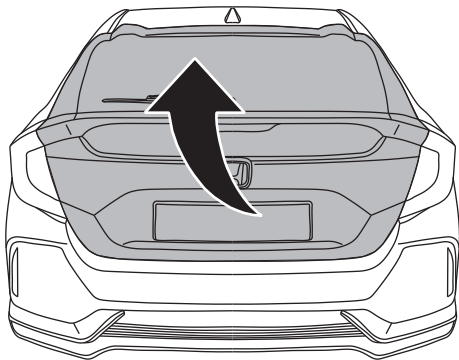


1000 km

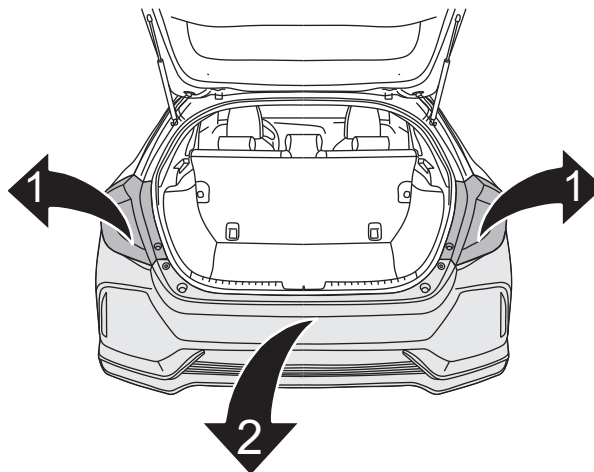


 1 x 1	 6 M 12x60 x 2
 2 x 1 Art.nr-KL1Y44A	 8 M 8x45 x 1
	 9 M 8x35 x 8
 3 x 1 Art.nr-BL1Y44A	 10 \varnothing 13 x 2
	 11 \varnothing 30x \varnothing 10.5x2.5 10 DIN 9021 x 8
 4 x 2	 12 \varnothing 24x \varnothing 8.4x2 8 DIN 9021 x 8
	 13 \varnothing 8.3 x 2
 5 x 2 \varnothing 25x5mm L=20mm	 14 \varnothing 12.2 x 2
	 15 \varnothing 10.2 x 4
	 16 \varnothing 8.2 x 8
	 17 M 10 x 4
	 18 M 8 x 1
	 19 x 1

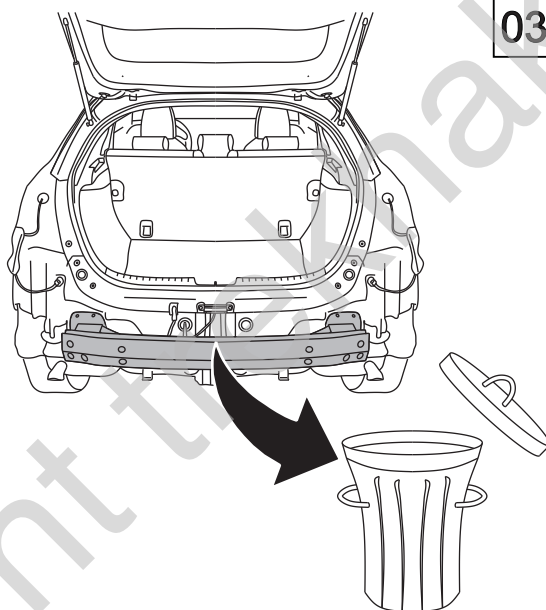
01



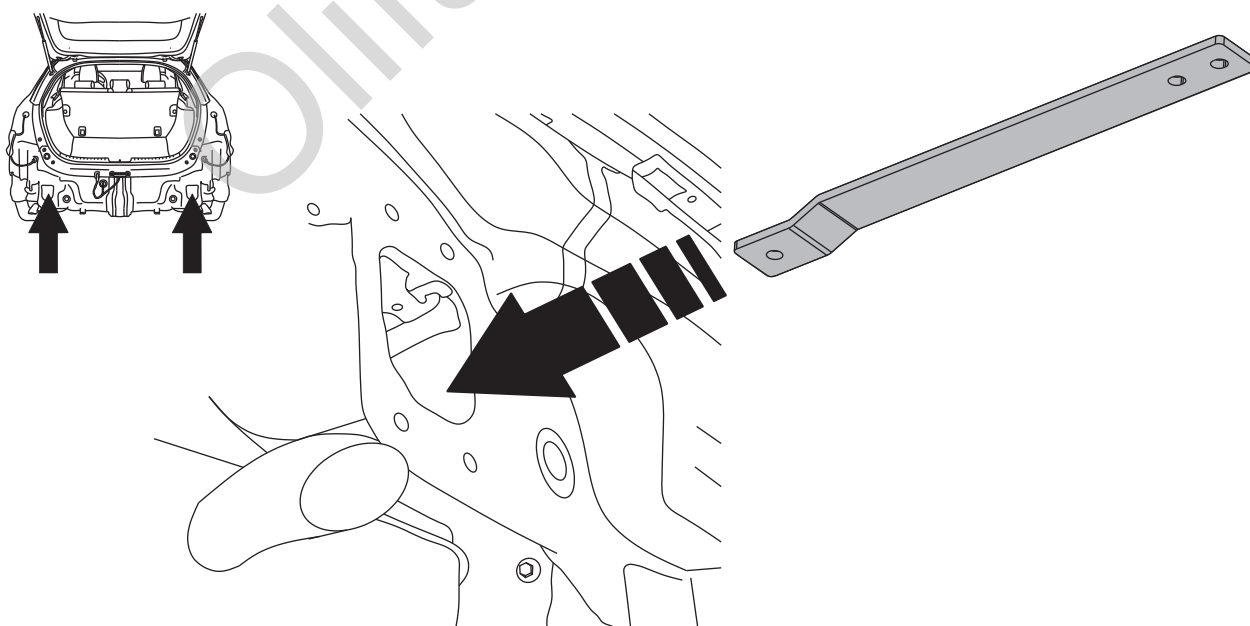
02



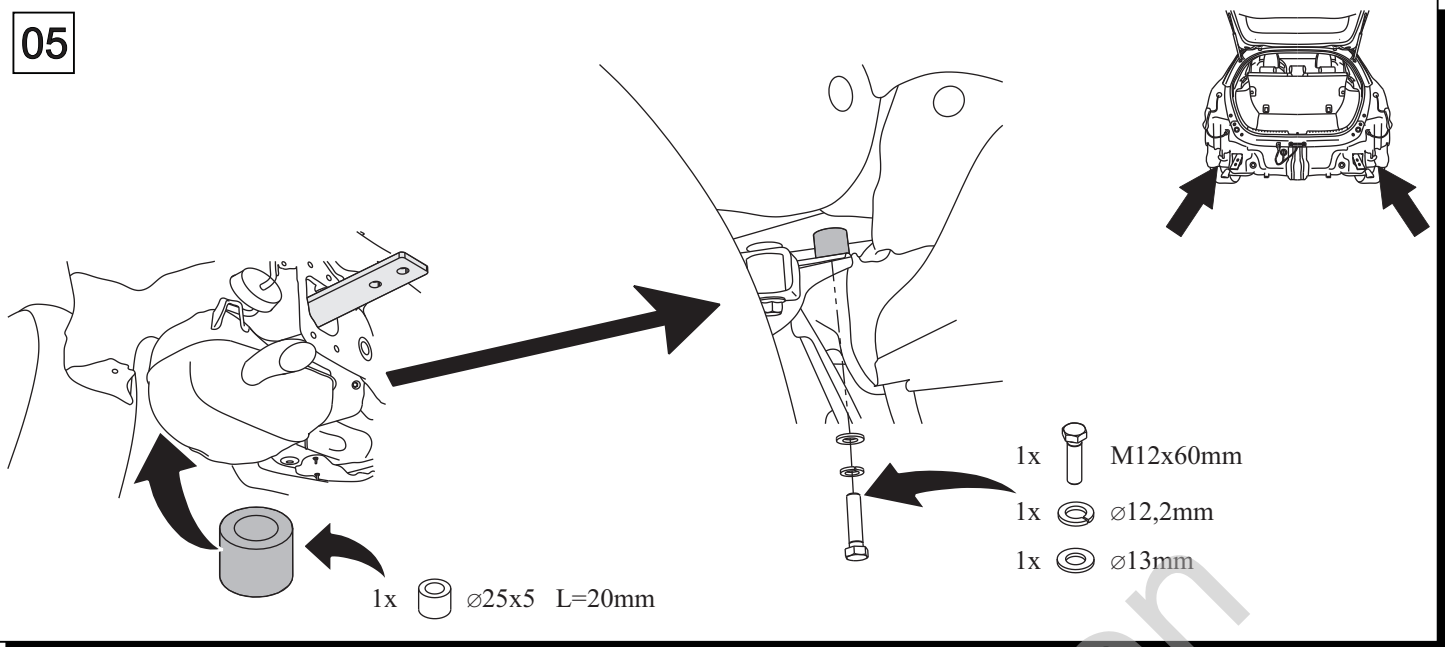
03



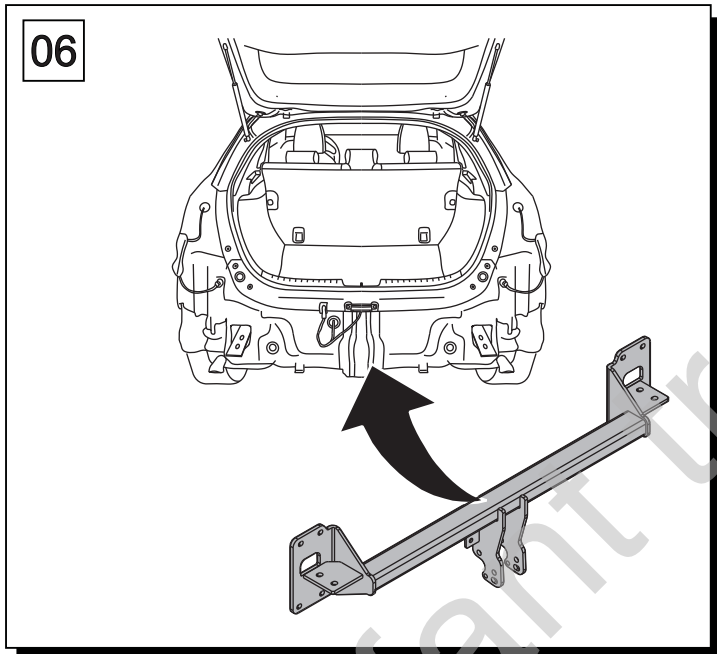
04



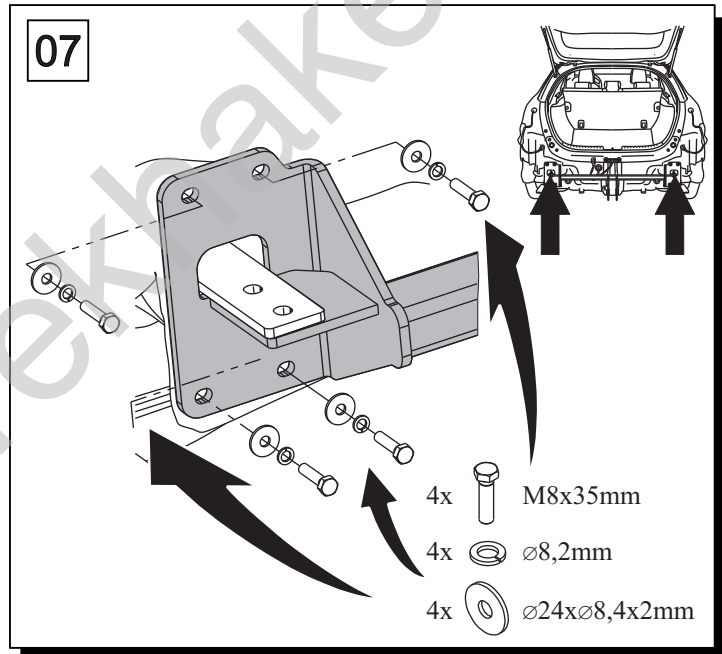
05



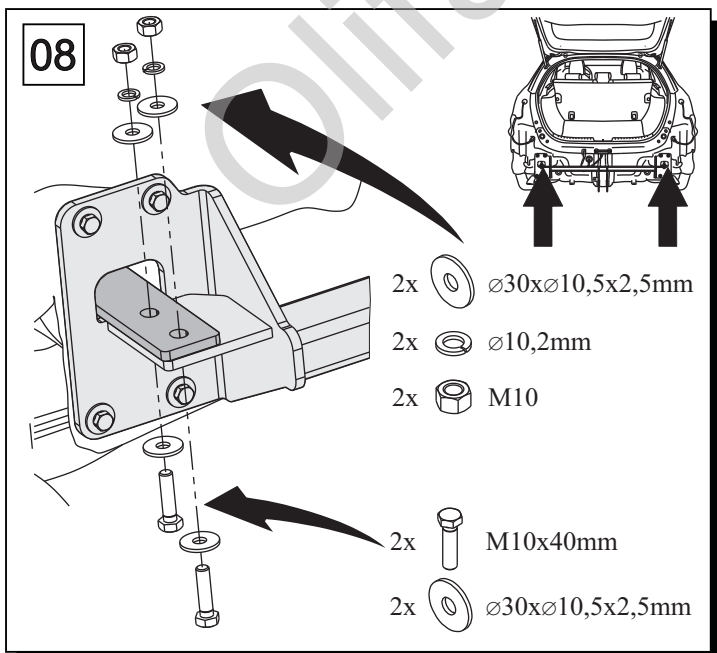
06



07



08



09

