

PPUH AUTO-HAK Sp.J.

Henryk & Zbigniew Nejman
ul. Słoneczna 16K 76-200 SŁUPSK
POLAND

tel/fax +48 059 8-414-414; 8-414-413

e-mail: office@autohak.com.pl

www.autohak.com.pl



AUTO-HAK



HONDA CIVIC 5D

Cat. no:

Y41



01.2015 → 12.2016



E20-55R-01 4272



2h



8,32 kN



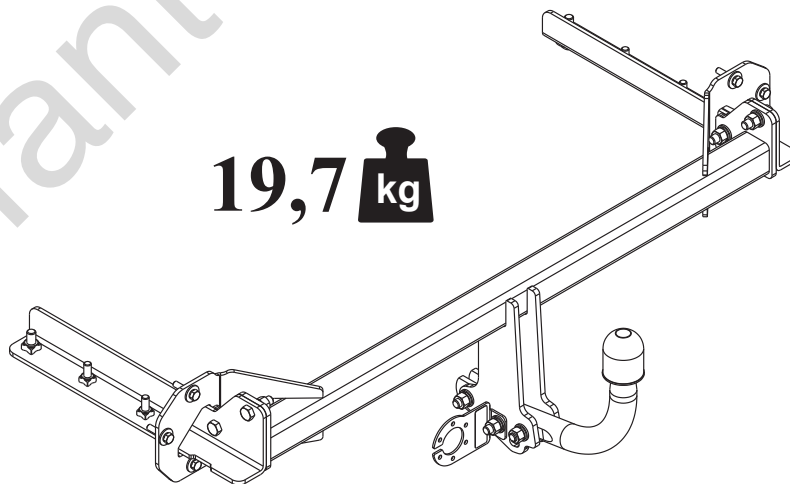
R=1500 kg



S=75 kg



19,7 kg



M6 - 11 Nm
M10 - 50 Nm
M14 - 138 Nm

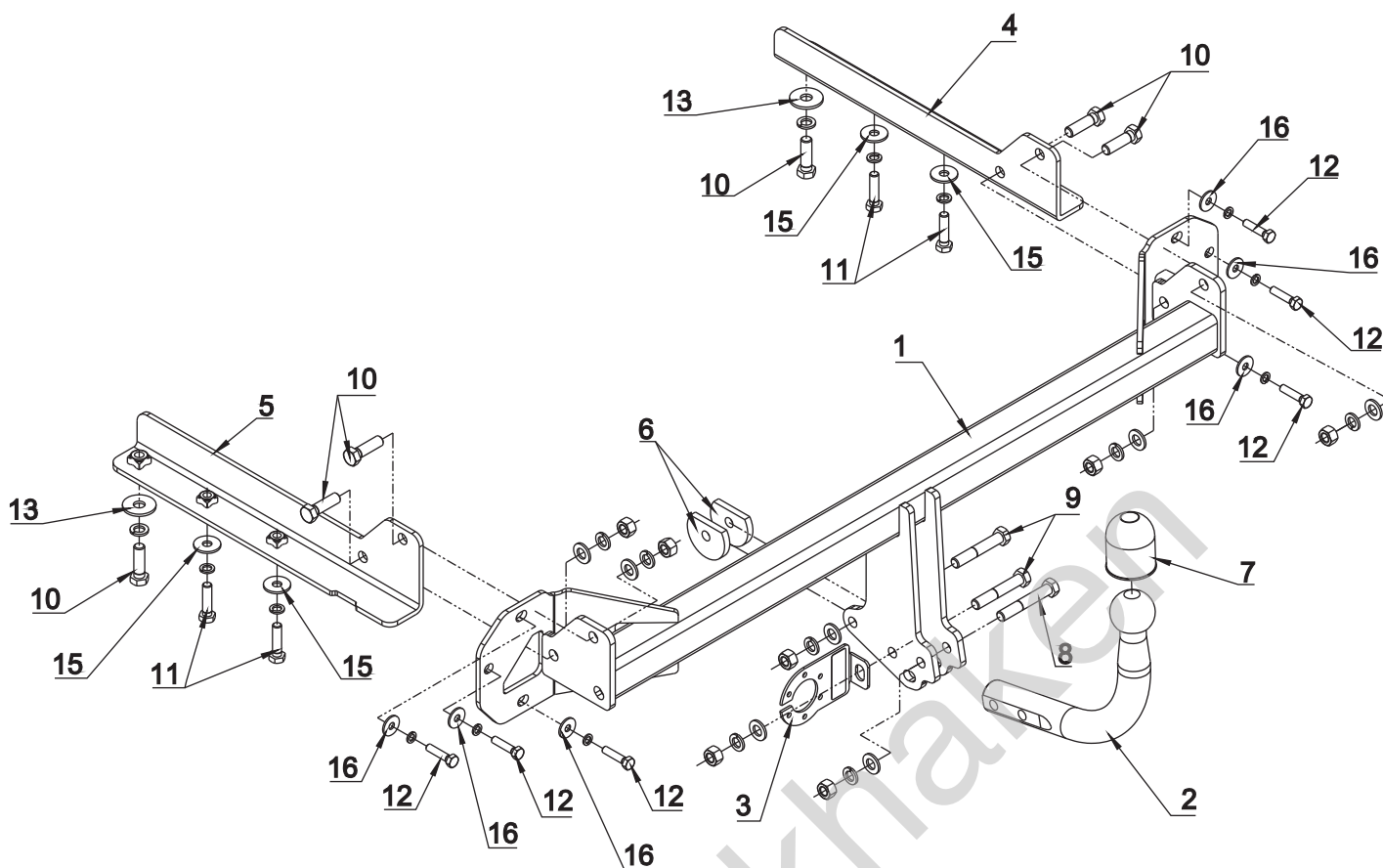
M8 - 25 Nm
M12 - 87 Nm
M16 - 210 Nm

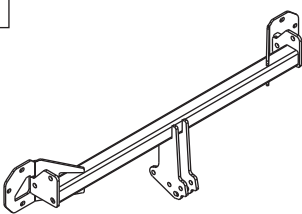

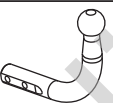

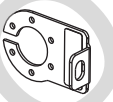
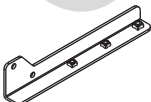
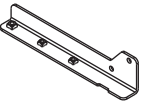

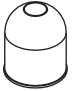


0 km →

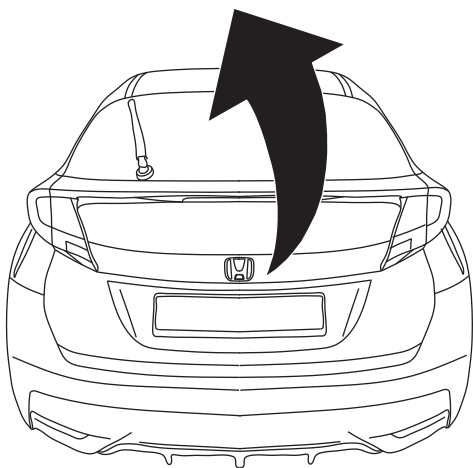


1000 km

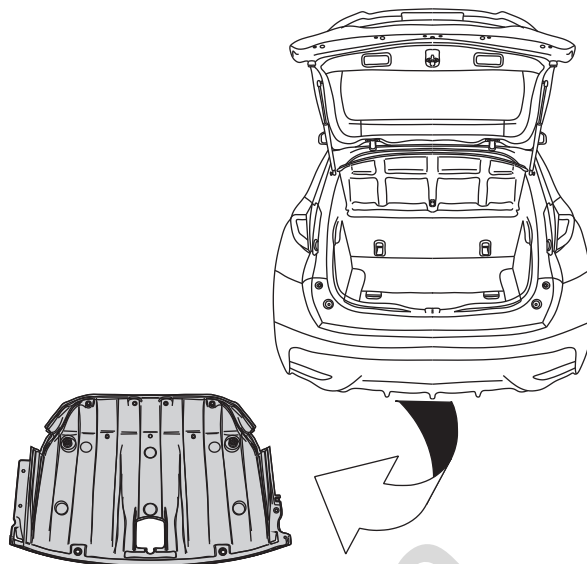


1		x 1		8 M12x75	x 1
2		x 1		9 M12x70	x 2
3		x 1		10 M12x40	x 6
4		x 1	11 M10x40	x 4	
5		x 1	12 M8x35	x 6	
6		x 2	13 ϕ 37x ϕ 13x3 13 (DIN 9021)	x 2	
7		x 1	14 ϕ 13	x 7	
			15 ϕ 30x ϕ 10.5x2.5 10 (DIN 9021)	x 4	
			16 ϕ 24x ϕ 8.5x2 8 (DIN 9021)	x 6	
			17 ϕ 12.2	x 9	
			18 ϕ 10.2	x 4	
			19 ϕ 8.2	x 6	
			20 M12	x 7	

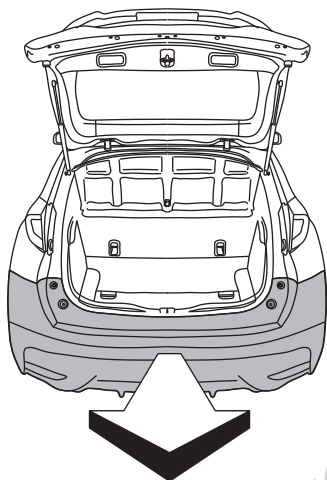
01



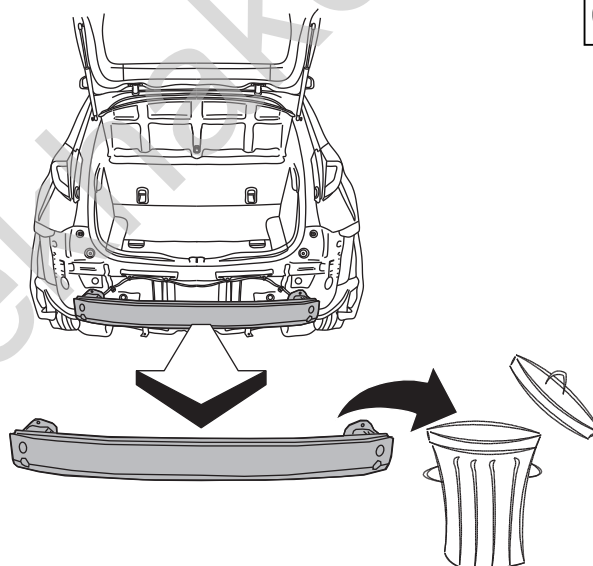
02



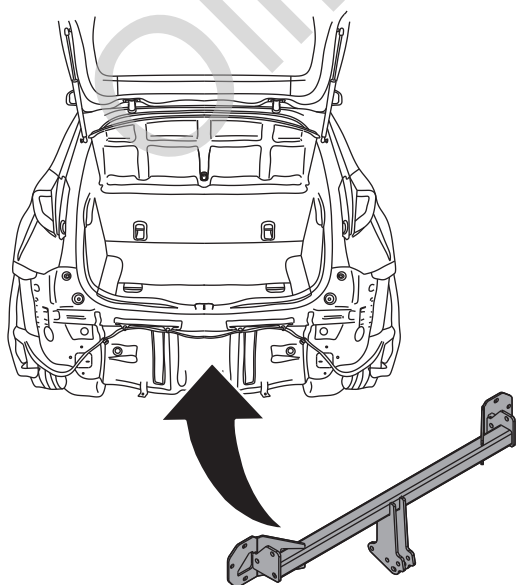
03



04



05



06

