

PPUH AUTO-HAK Sp.J.

Henryk i Zbigniew Nejman
ul. Słoneczna 16K 76-200 SŁUPSK
POLAND

tel/fax +48 59 8 414 414; +48 59 8 414 413

e-mail: office@autohak.com.pl

www.autohak.com.pl



AUTO-HAK



HONDA CIVIC 5D

Cat. no:

Y37



01.2012 → 12.2014

e20

e20*94/20*1681*00

D

8,32 kN



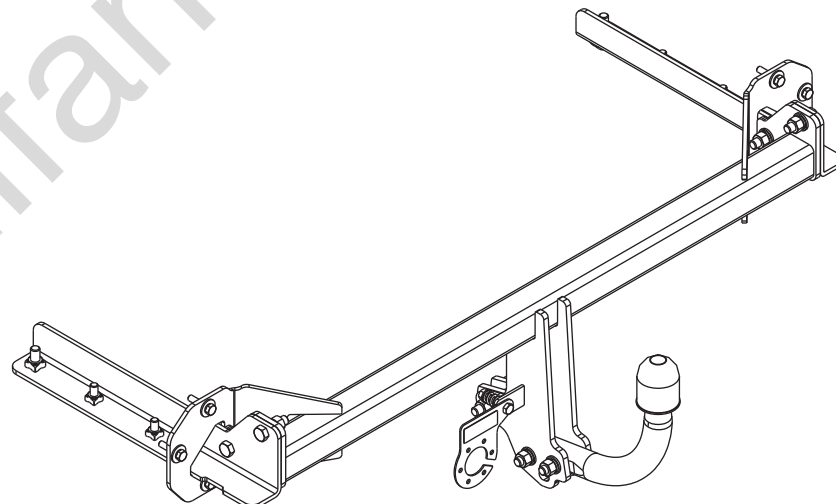
2h

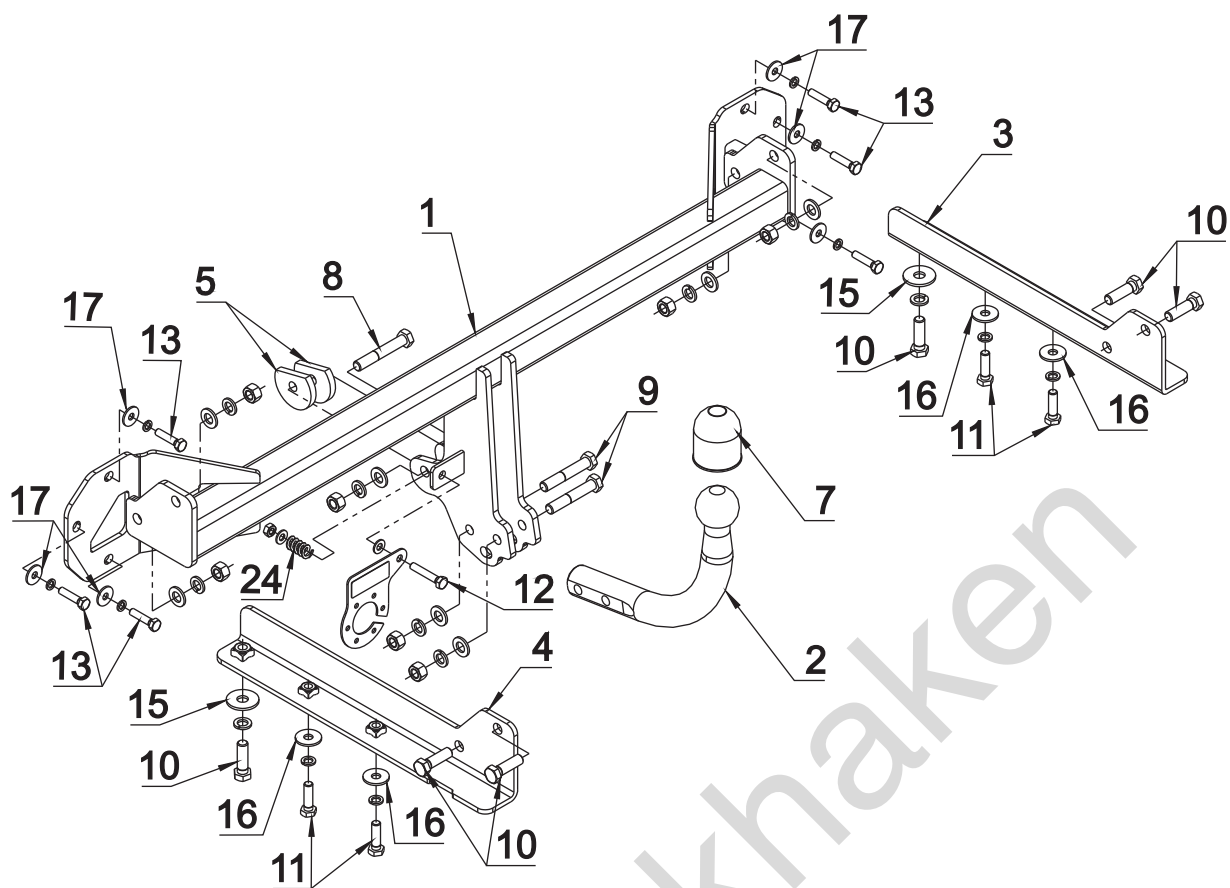


R=1500 kg

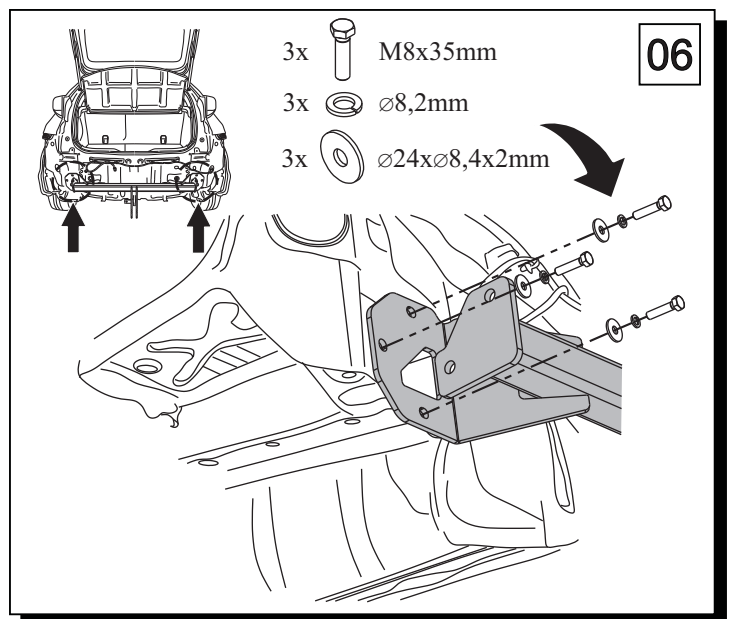
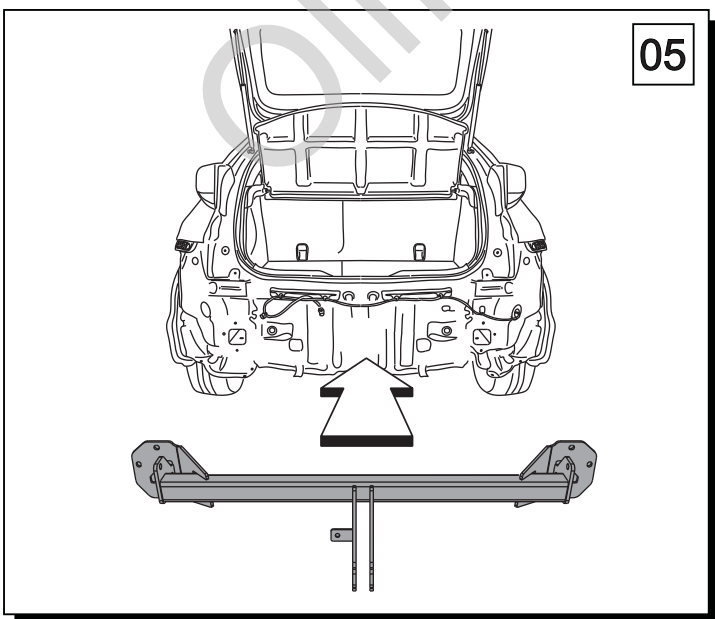
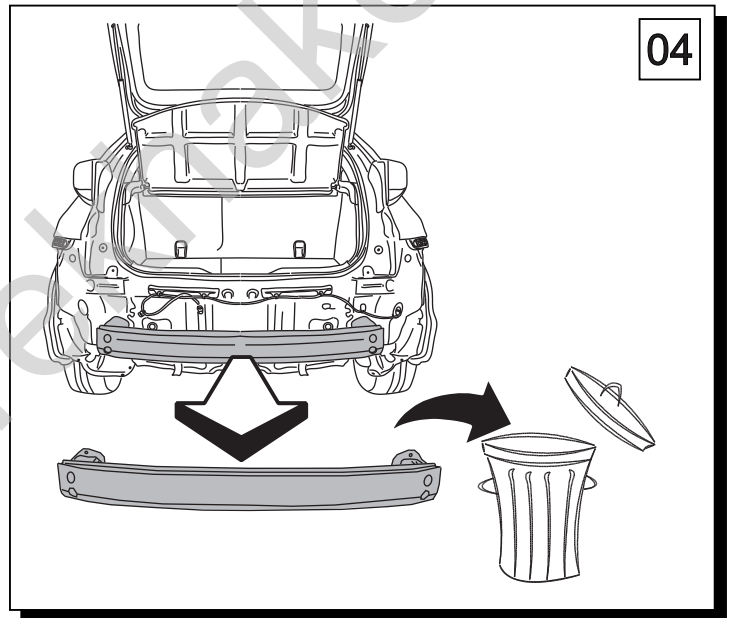
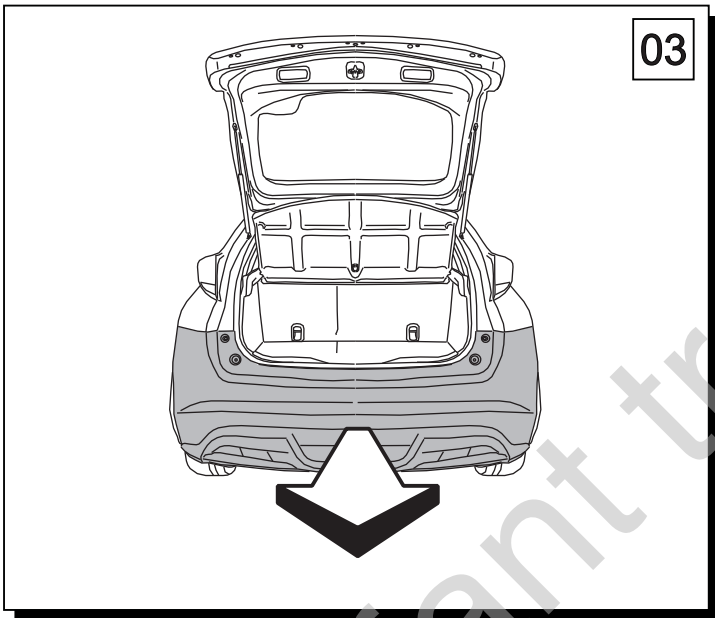
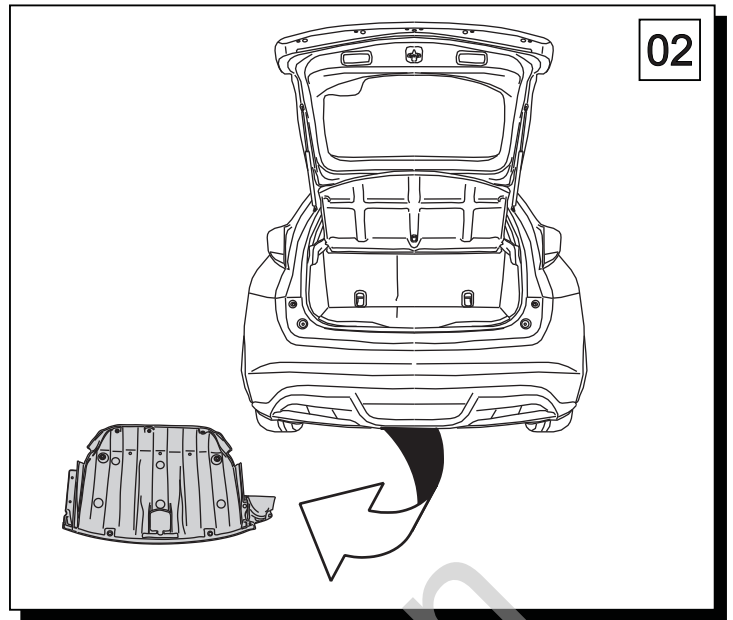
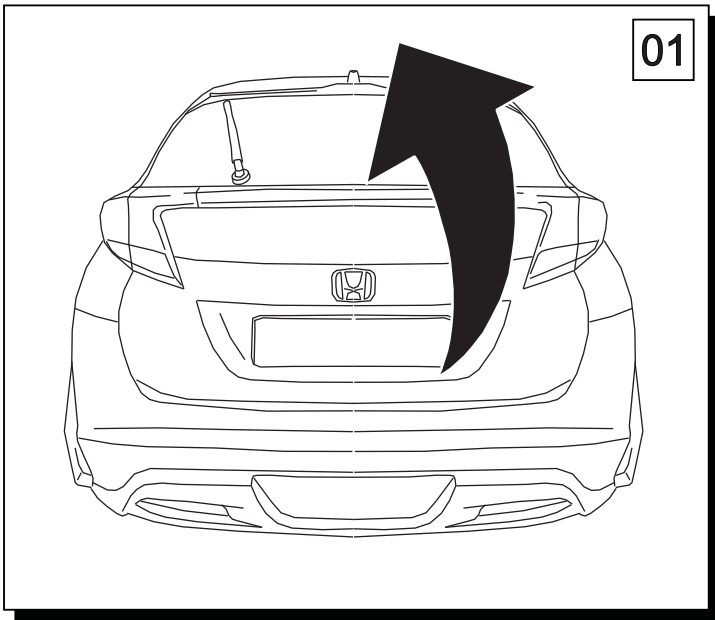


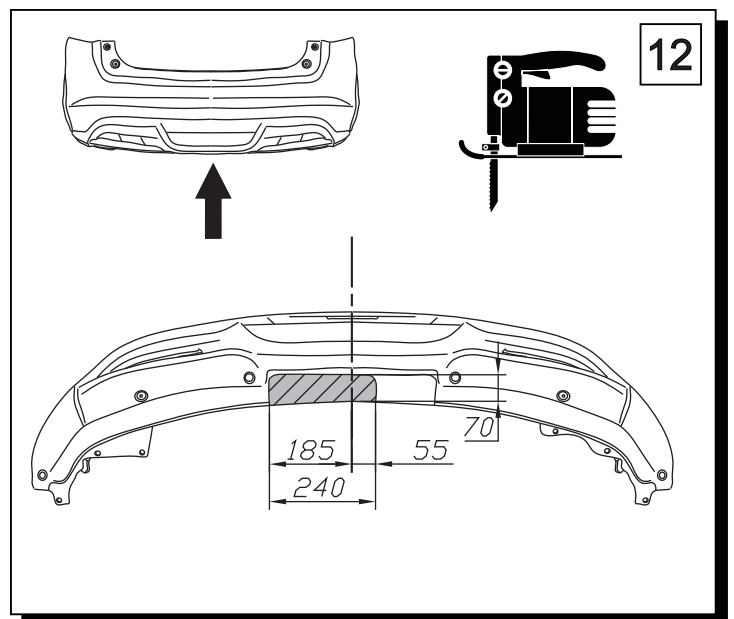
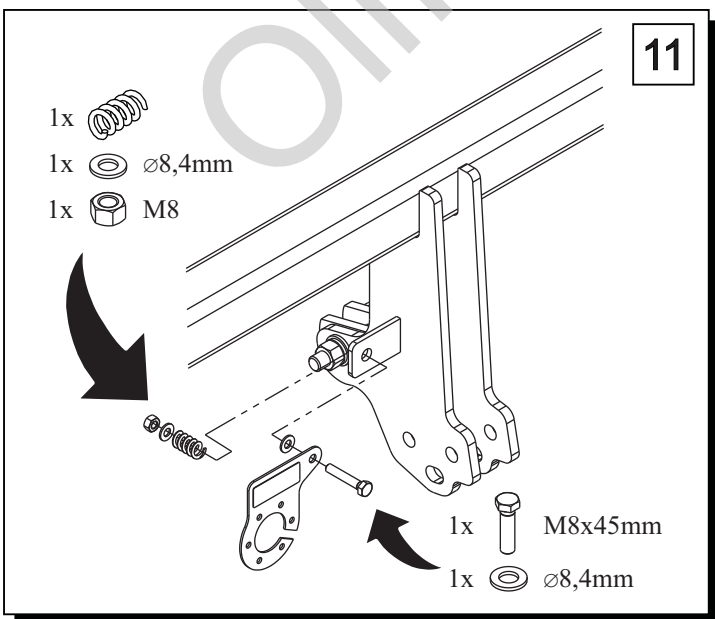
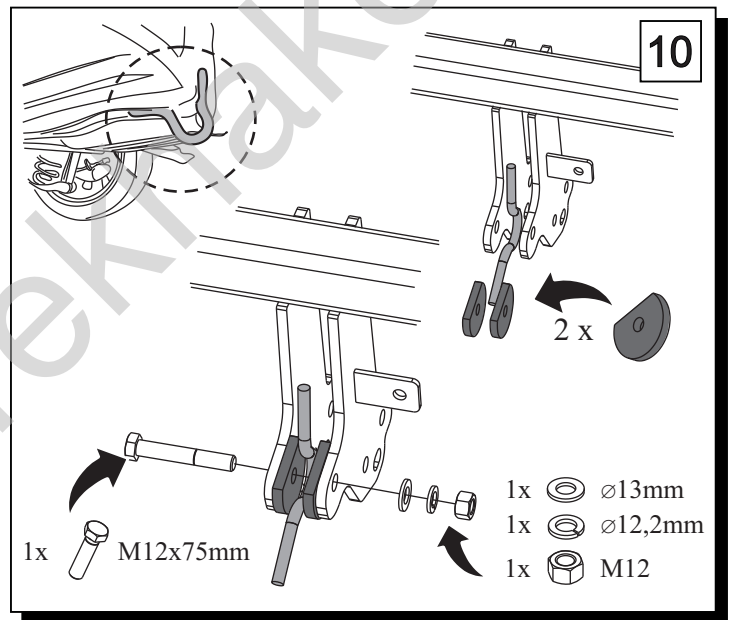
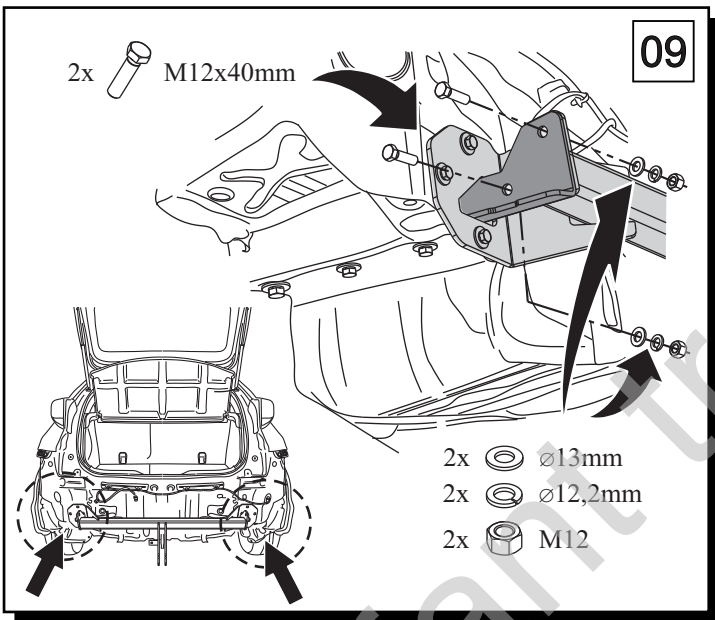
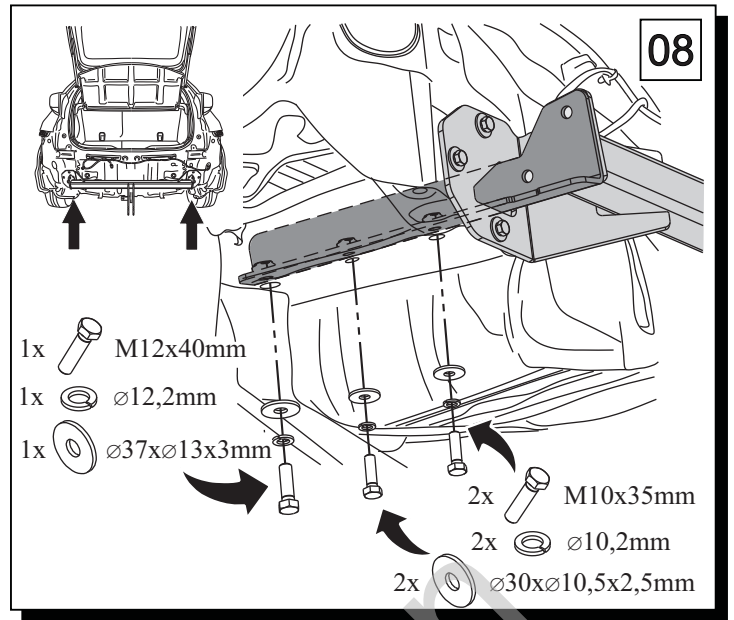
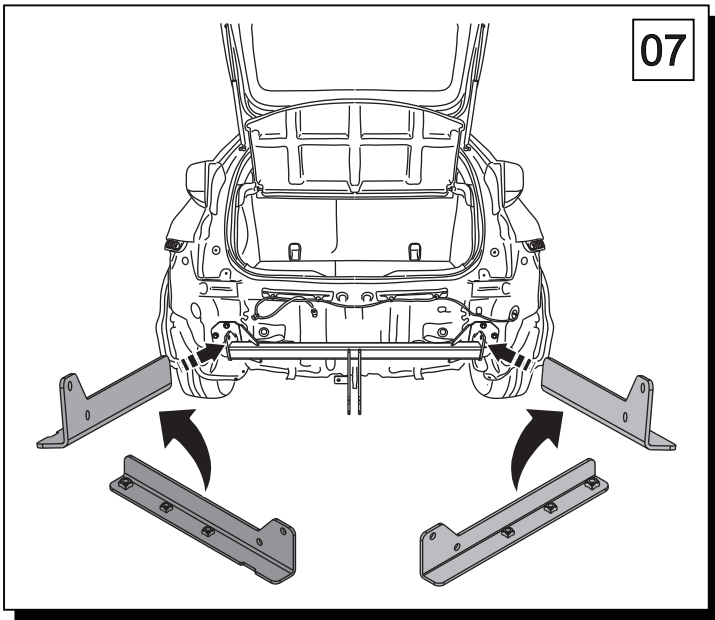
S=75 kg

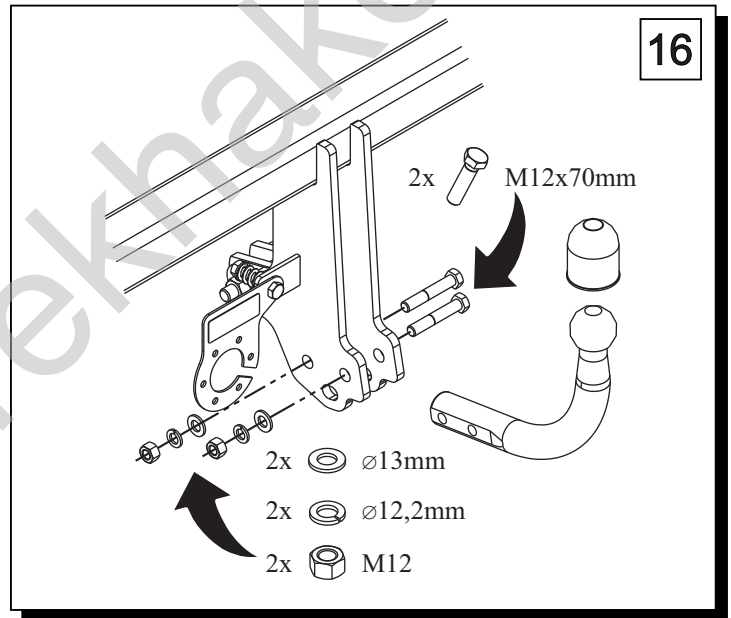
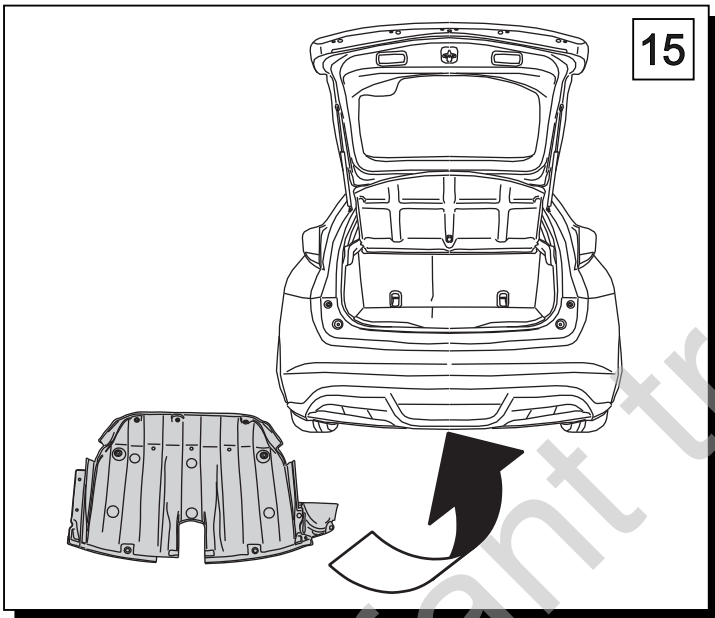
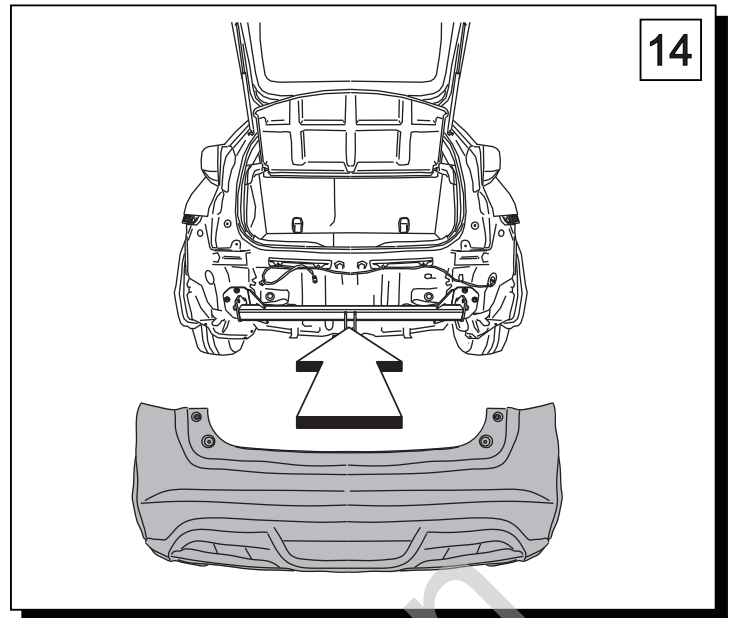
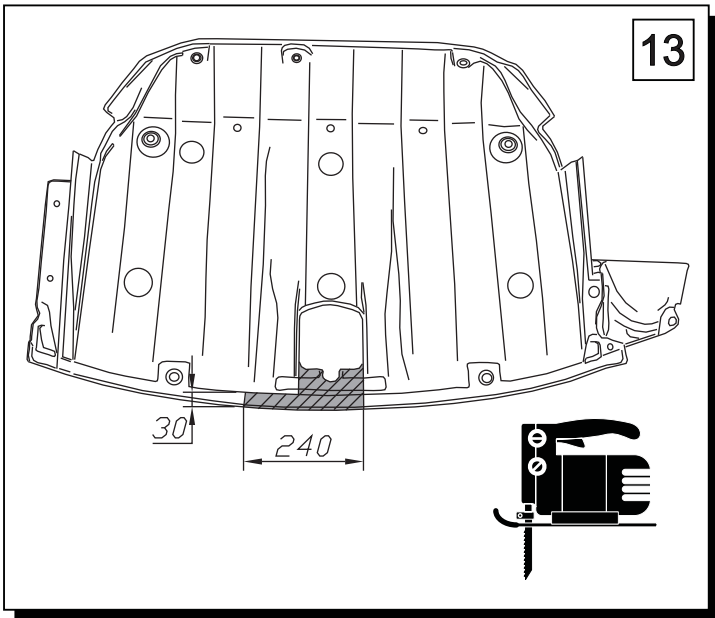







1		x1		8	M12x75	x1
2		x1		9	M12x70	x2
		Art.nr-KL1Y37		10	M12x40	x6
3		x1		11	M10x35	x4
4		x1		12	M8x45	x1
5		x2		13	M8x35	x6
6		x1		14	∅ 13	x7
		Art.nr-BL1Y37		15	∅ 37x∅13x3 13 (DIN 9021)	x2
7		x1		16	∅ 30x∅10.5x2.5 10 (DIN 9021)	x4
				17	∅ 24x∅8.5x2 8 (DIN 9021)	x6
				18	∅ 8.3	x2
				19	∅ 12.2	x9
				20	∅ 10.2	x4
				21	∅ 8.2	x6
				22	M12	x7
				23	M8	x1
				24		x1







	M6 - 11 Nm	M8 - 25 Nm
	M10 - 50 Nm	M12 - 87 Nm
	M14 - 138 Nm	M16 - 210 Nm

 **0 km** →  **1000 km**