

AUTO-HAK Sp. z o.o.

ul. Słoneczna 16K 76-200 SŁUPSK
POLAND

tel/fax +48 59 8 414 414; +48 59 8 414 413

e-mail: office@autohak.com.pl

www.autohak.com.pl



AUTO-HAK

HONDA CIVIC 4D

Cat. no:

Y45A



06.2017 →



E20-55R-01 5205



9,65 kN



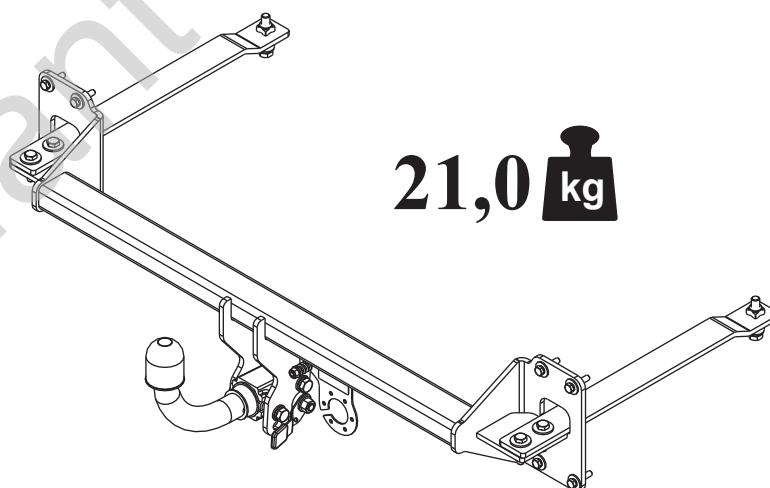
R=1500 kg



S=100 kg



2h



21,0 kg



M6 - 8,5 Nm
M10 - 41 Nm
M14 - 112 Nm

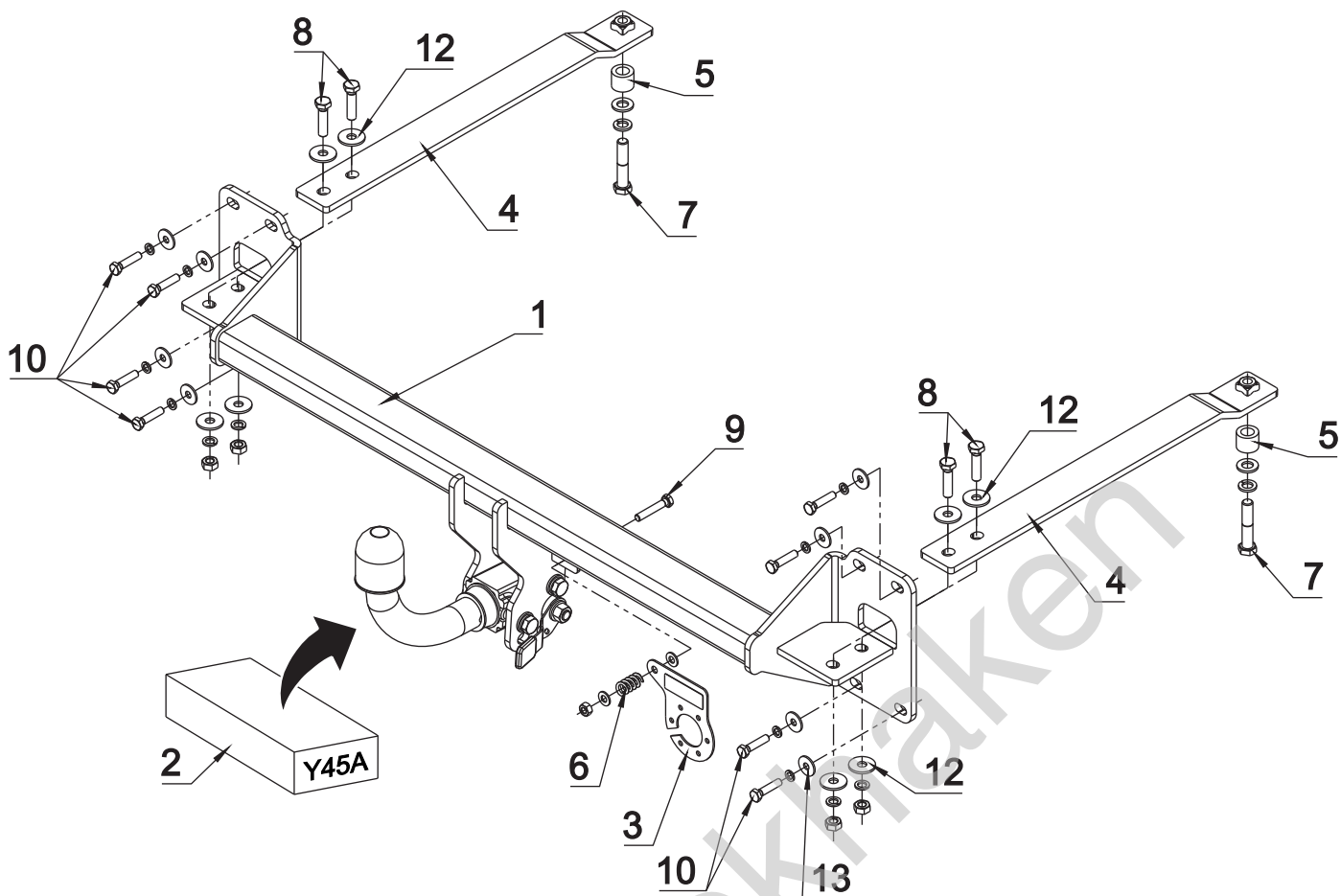
M8 - 20 Nm
M12 - 70 Nm
M16 - 170 Nm

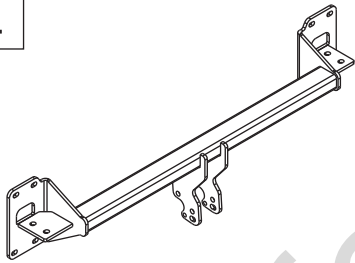

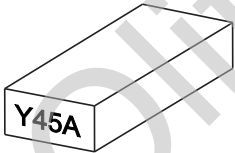



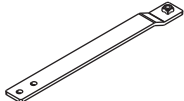



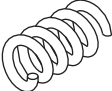



0 km →

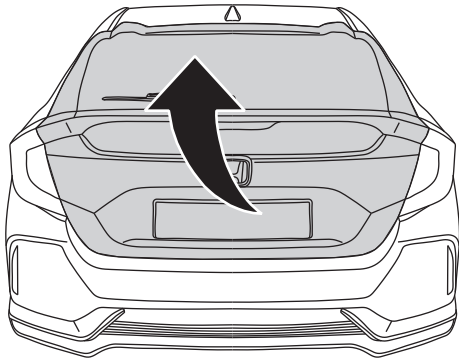


1000 km

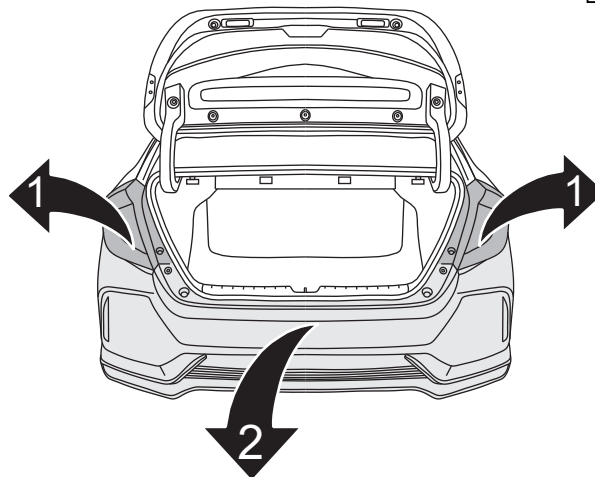


1		x1		7	M12x60	x2
				8	M10x40	x4
2		x1		9	M8x45	x1
				10	M8x35	x8
				11	∅ 13	x2
3		x1		12	∅ 30x∅10.5x2.5 10 DIN 9021	x8
				13	∅ 24x∅8.4x2 8 DIN 9021	x8
4		x2		14	∅ 8.5	x2
				15	∅ 12.2	x2
				16	∅ 10.2	x4
5		x2		17	∅ 8.2	x8
				18	M10	x4
6		x1		19	M8	x1

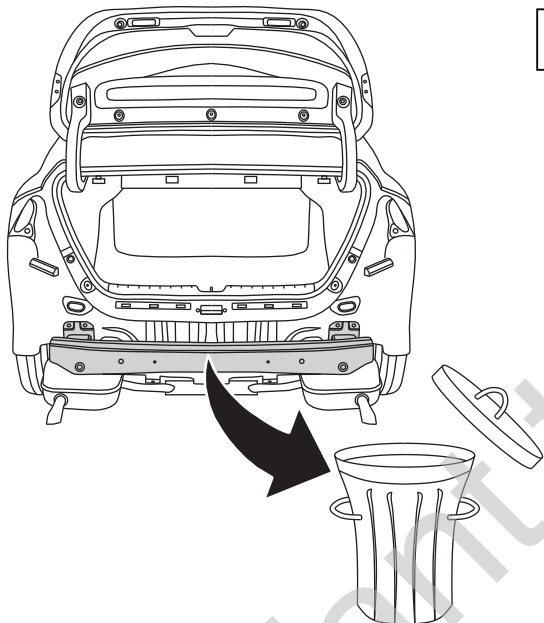
01



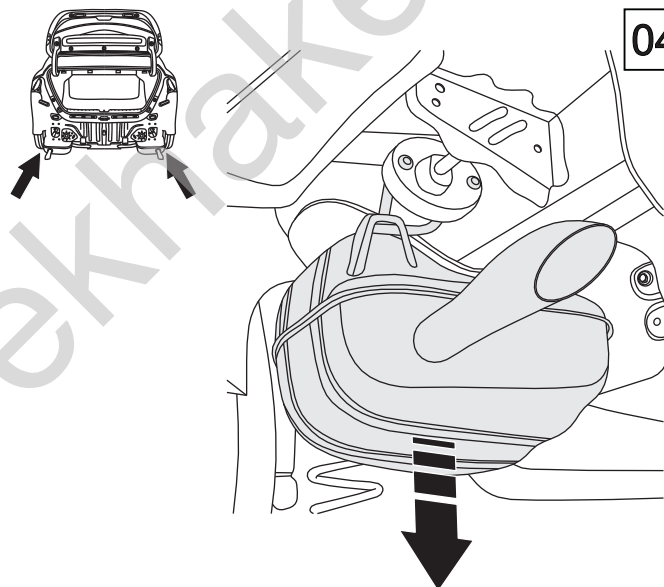
02



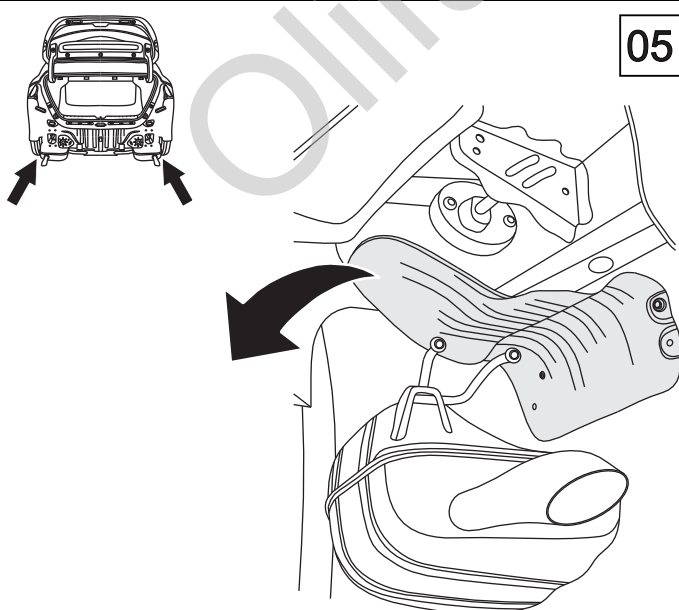
03



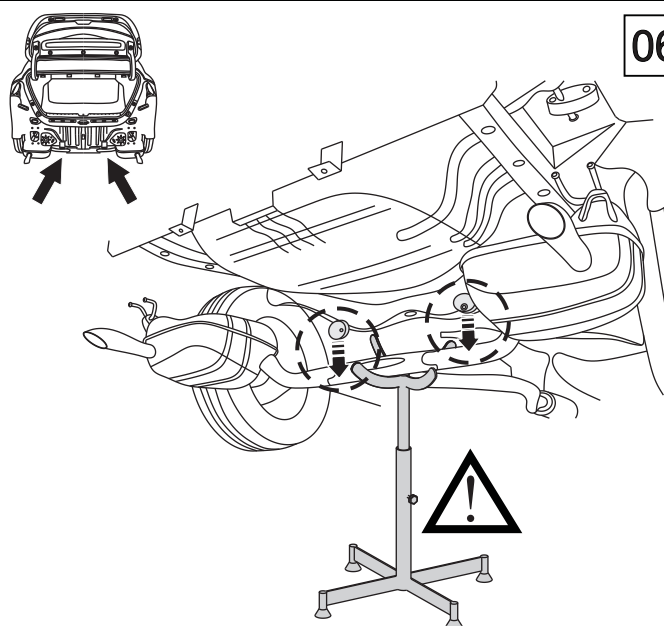
04



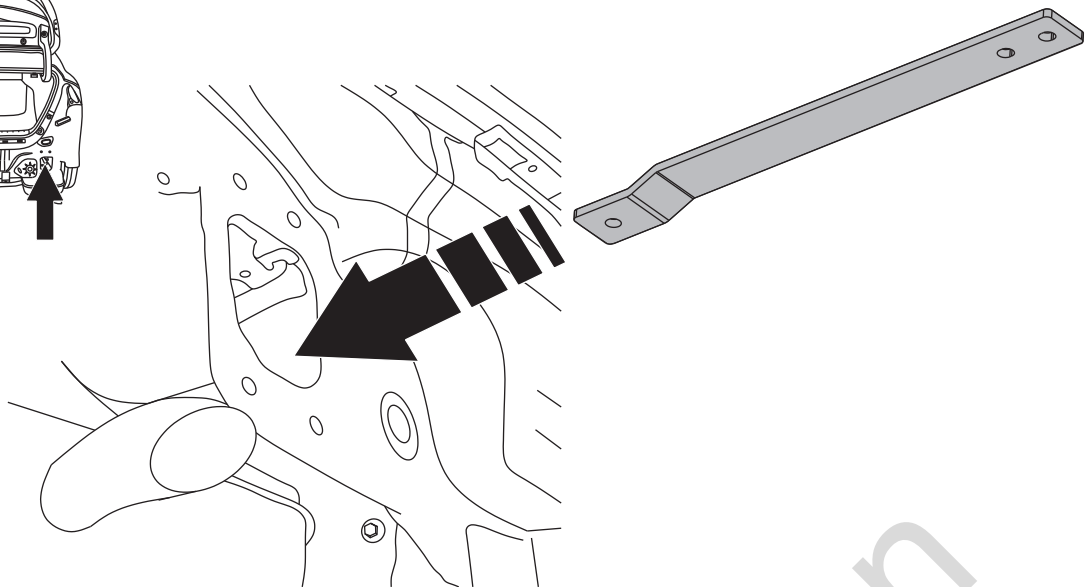
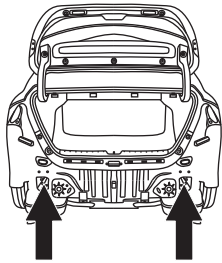
05



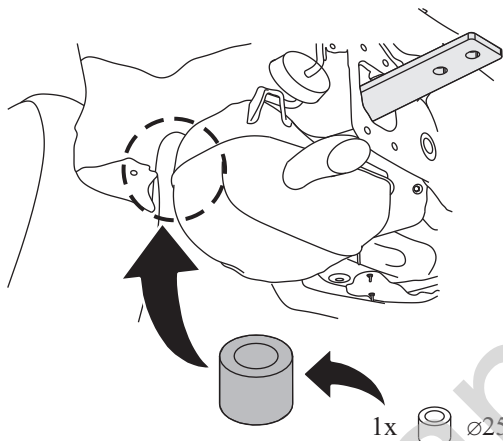
06



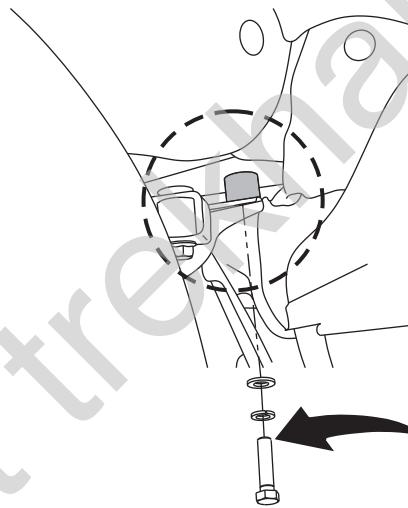
07



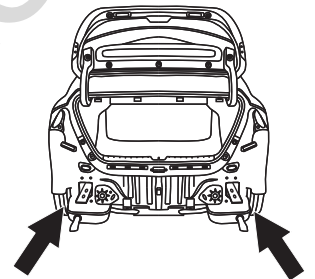
08



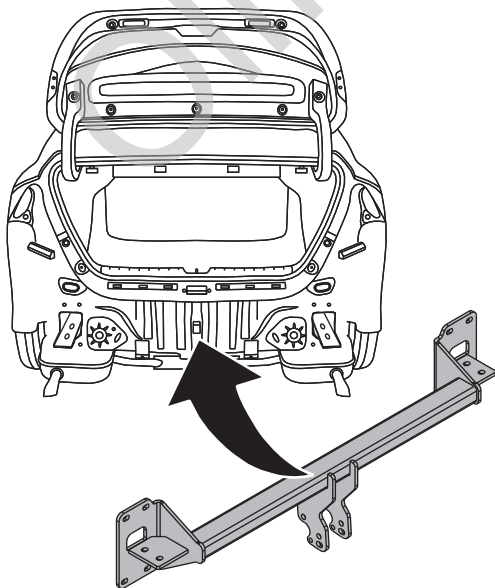
1x $\varnothing 25 \times 5$ L=20mm



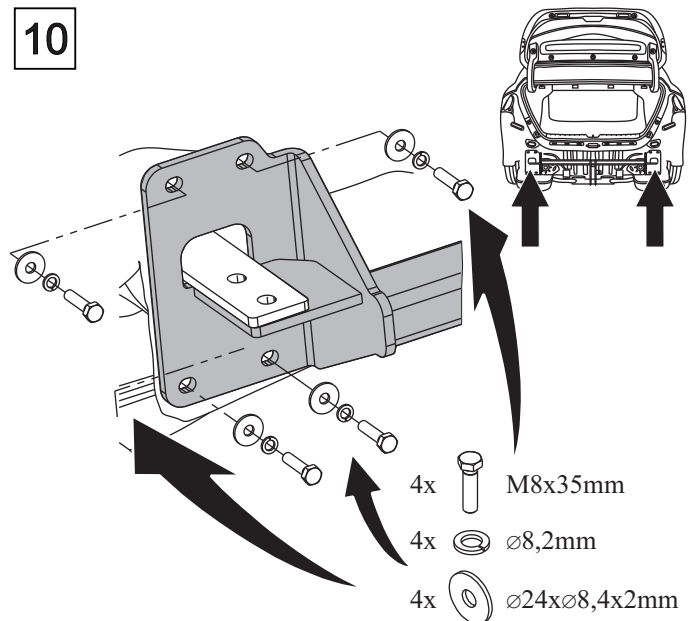
- 1x M12x60mm
- 1x $\varnothing 12,2$ mm
- 1x $\varnothing 13$ mm



09



10



- 4x M8x35mm
- 4x $\varnothing 8,2$ mm
- 4x $\varnothing 24 \times \varnothing 8,4 \times 2$ mm

