

PPUH AUTO-HAK Sp.J.

Henryk i Zbigniew Nejman
ul. Słoneczna 16K 76-200 SŁUPSK
POLAND

tel/fax +48 59 8 414 414; +48 59 8 414 413

e-mail: office@autohak.com.pl

www.autohak.com.pl



AUTO-HAK



HONDA CIVIC 4D

Cat. no:

Y38



01.2012 → 05.2017

e20

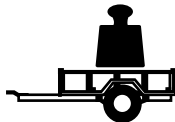
e20*94/20*1754*00

D

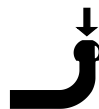
8,8 kN



1,5h



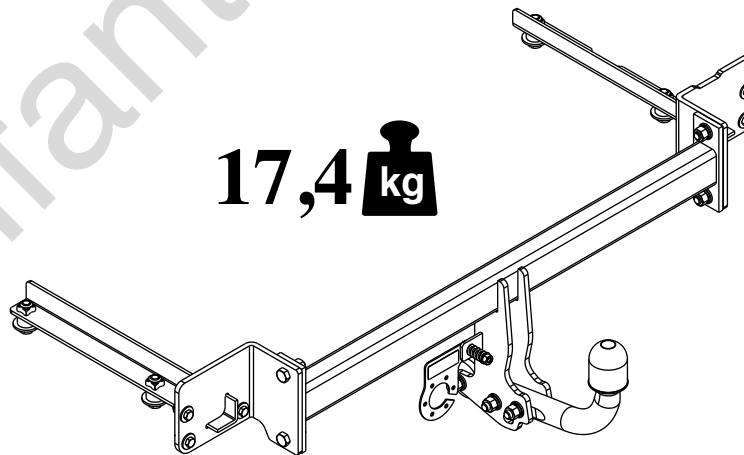
R=1700 kg



S=75 kg



17,4 kg



M6 - 11 Nm
M10 - 50 Nm
M14 - 138 Nm

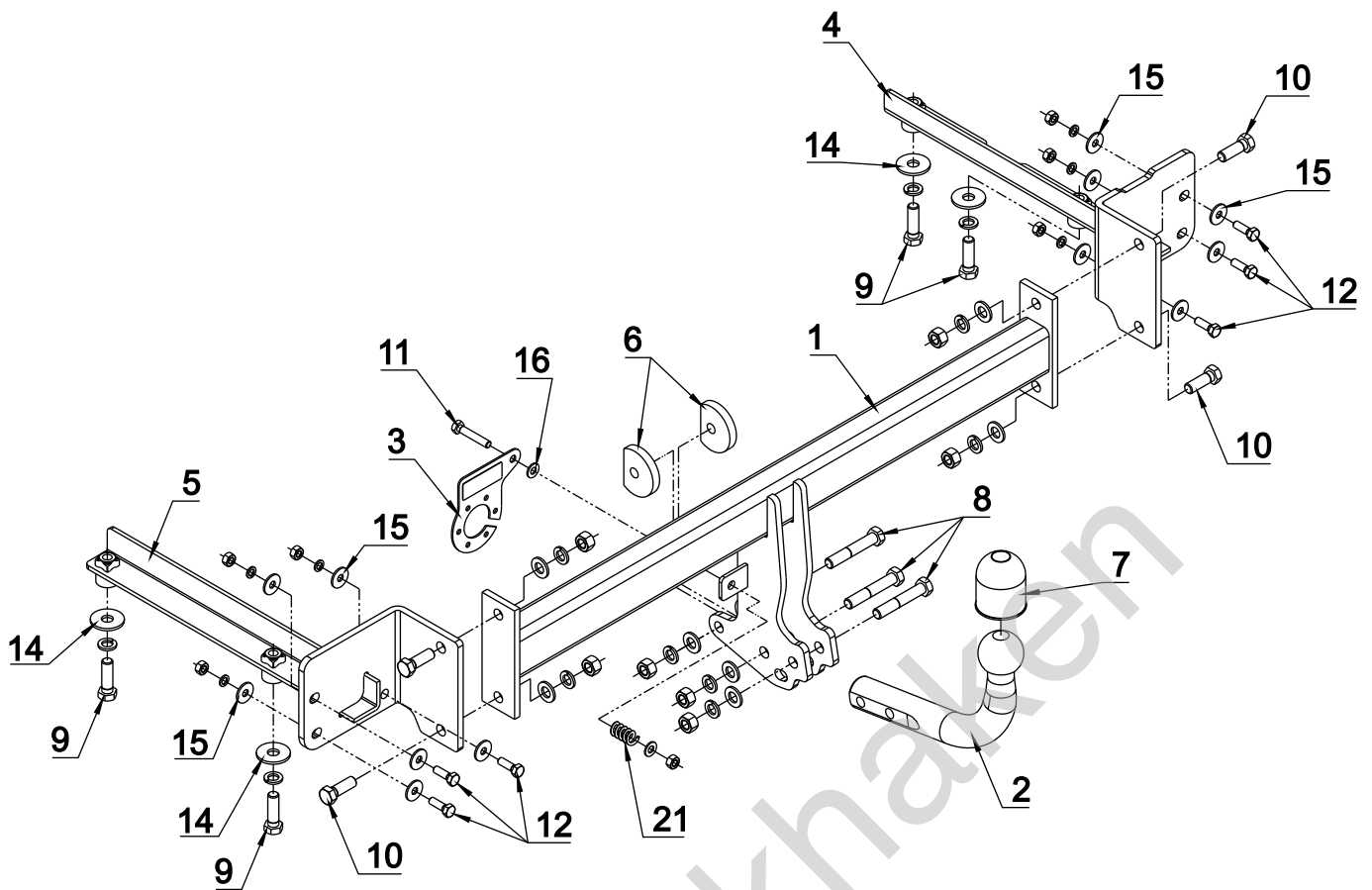
M8 - 25 Nm
M12 - 87 Nm
M16 - 210 Nm

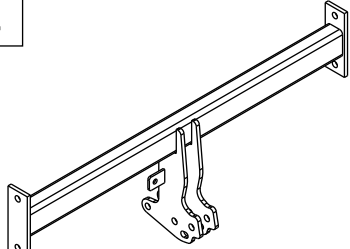

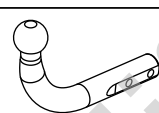

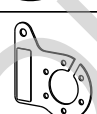
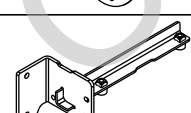
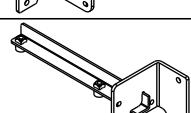




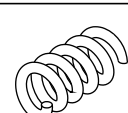


0 km →

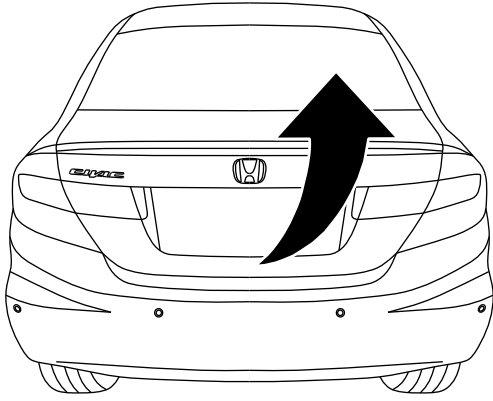


1000 km

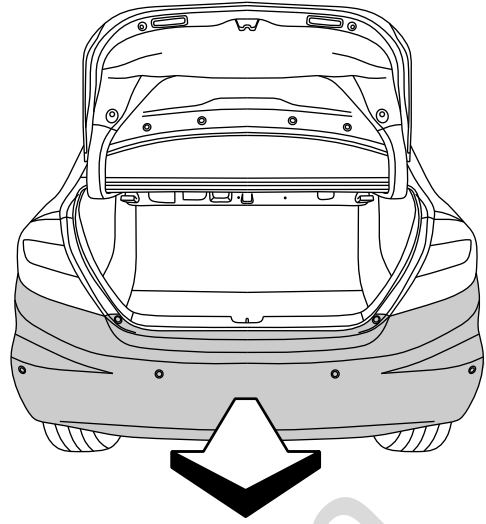


1		x 1		8 M 12x70	x 3
				9 M 12x40	x 4
				10 M 12x35	x 4
				11 M 8x45	x 1
				12 M 8x25	x 6
2		x 1 Art.nr-KL1Y38		13 \varnothing 13	x 7
3		x 1 Art.nr-BL1Y38		14 \varnothing 37x \varnothing 13x3 13 (DIN 9021)	x 4
4		x 1		15 \varnothing 24x \varnothing 8.5x2 8 (DIN 9021)	x 12
5		x 1		16 \varnothing 8.4	x 2
				17 \varnothing 12.2	x 11
				18 \varnothing 8.2	x 6
6		x 2		19 M 12	x 7
				20 M 8	x 6
7		x 1	21		x 1

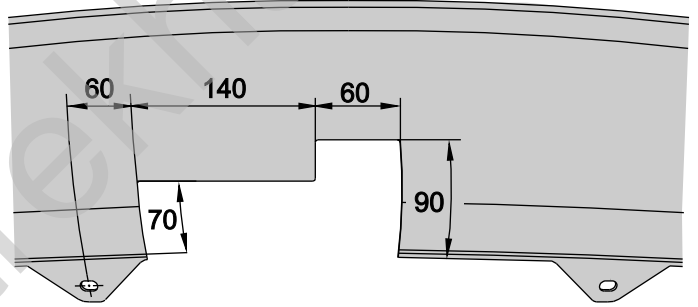
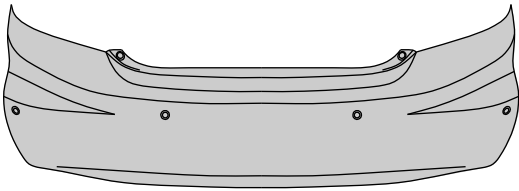
01



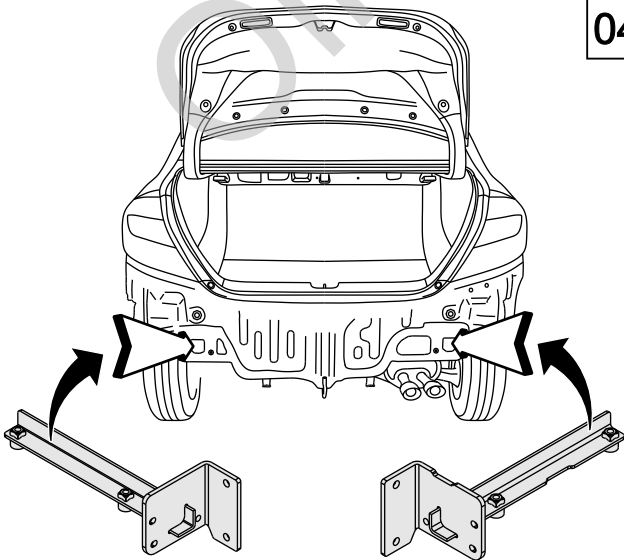
02



03



04



05

