

PPUH AUTO-HAK Sp.J.

Henryk i Zbigniew Nejman
ul. Słoneczna 16K 76-200 SŁUPSK
POLAND

tel/fax +48 59 8 414 414; +48 59 8 414 413

e-mail: office@autohak.com.pl

www.autohak.com.pl



AUTO-HAK

HONDA

- ACCORD 4D
- ACCORD TOURER KOMBI

 ~~Type S~~ 



08.2008 →



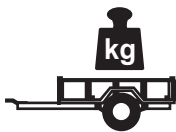
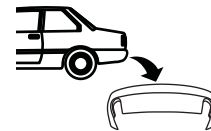
2h



E20-55R-01 4825

D

9,5 kN

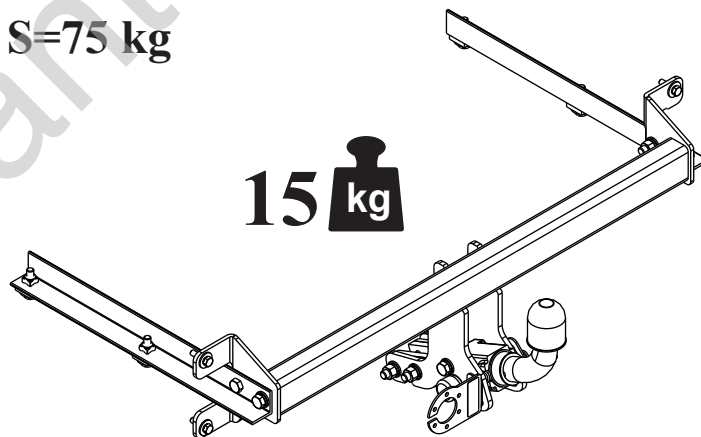


R=1700 kg



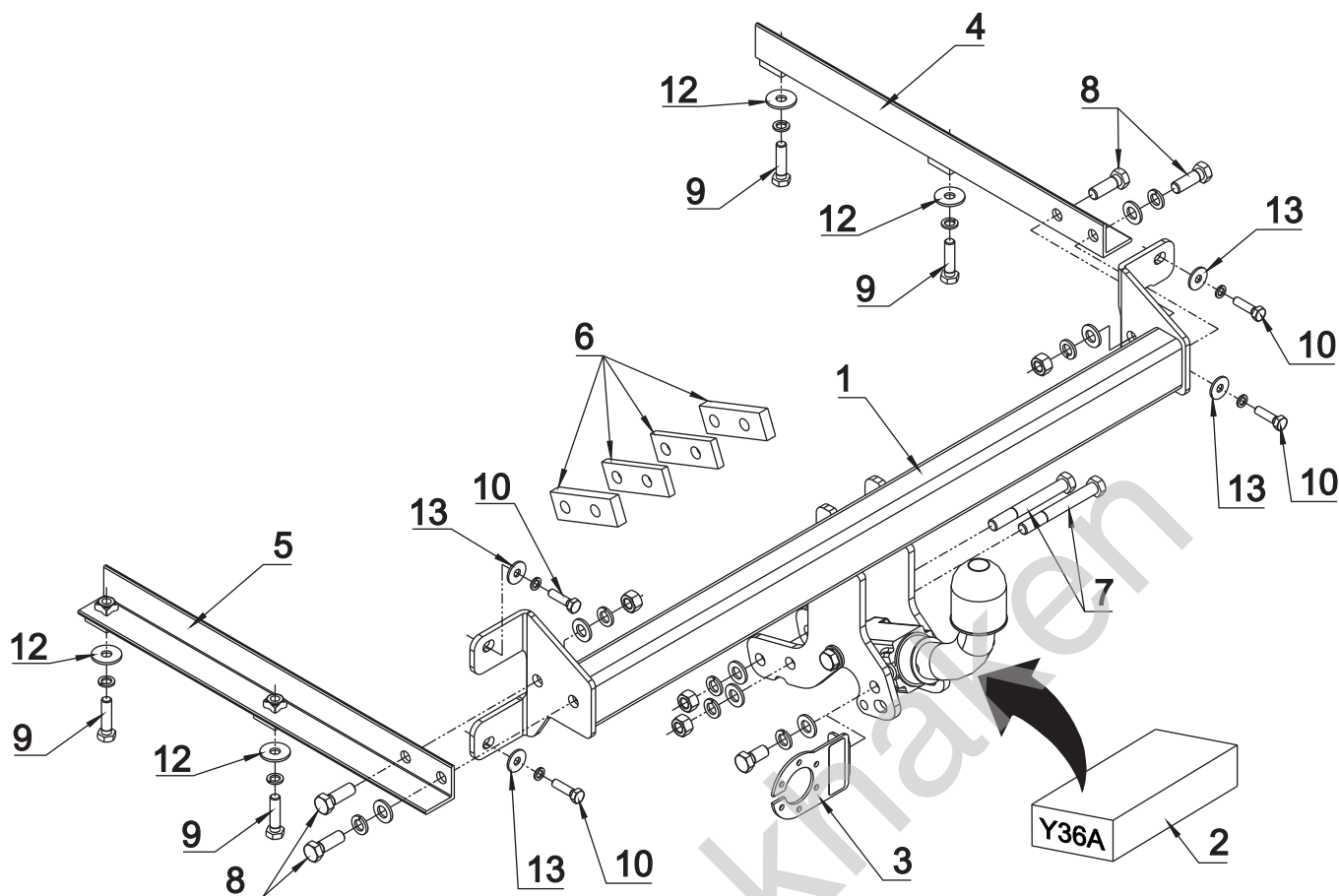
S=75 kg

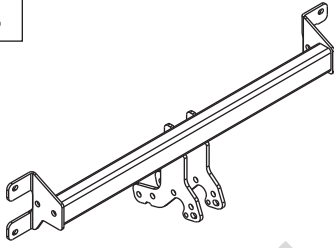
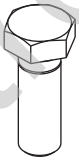
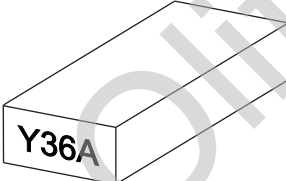

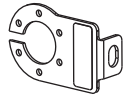

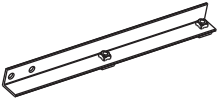


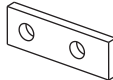
15 kg



śruba	Nm	M6	M8	M10	M12	M14	M16
klasa 8.8		9,9	24	48	83	132	200
klasa 10.9		14	34	67	117	185	285

 0 km →  1000 km



1		x1		7	M12x100	x2
2	 Art.nr-KL1Y36A	x1		8	M12x35	x4
				9	M10x40	x4
				10	M8x30	x4
3	 Art.nr-BL1Y36A	x1		11	∅ 13	x8
				12	∅ 30x∅10.5x2.5 10 (DIN 9021)	x4
				13	∅ 24x∅8.5x2 8 (DIN 9021)	x4
4		x1		14	∅ 12.2	x10
5		x1		15	∅ 10.2	x4
				16	∅ 8.2	x4
6		x4	17	M12	x4	
		90x30x10mm				

