



TREKHAKEN • ATTELAGES • ANHÄNGERVORRICHTUNGEN • TOWBARS • ENHANCES • ANHÆNGERTRÆK
Montagehandleiding | instructions de montage | Einbauanleitung | Mounting instruction
Instrucciones de montaje | monteringsvejledning

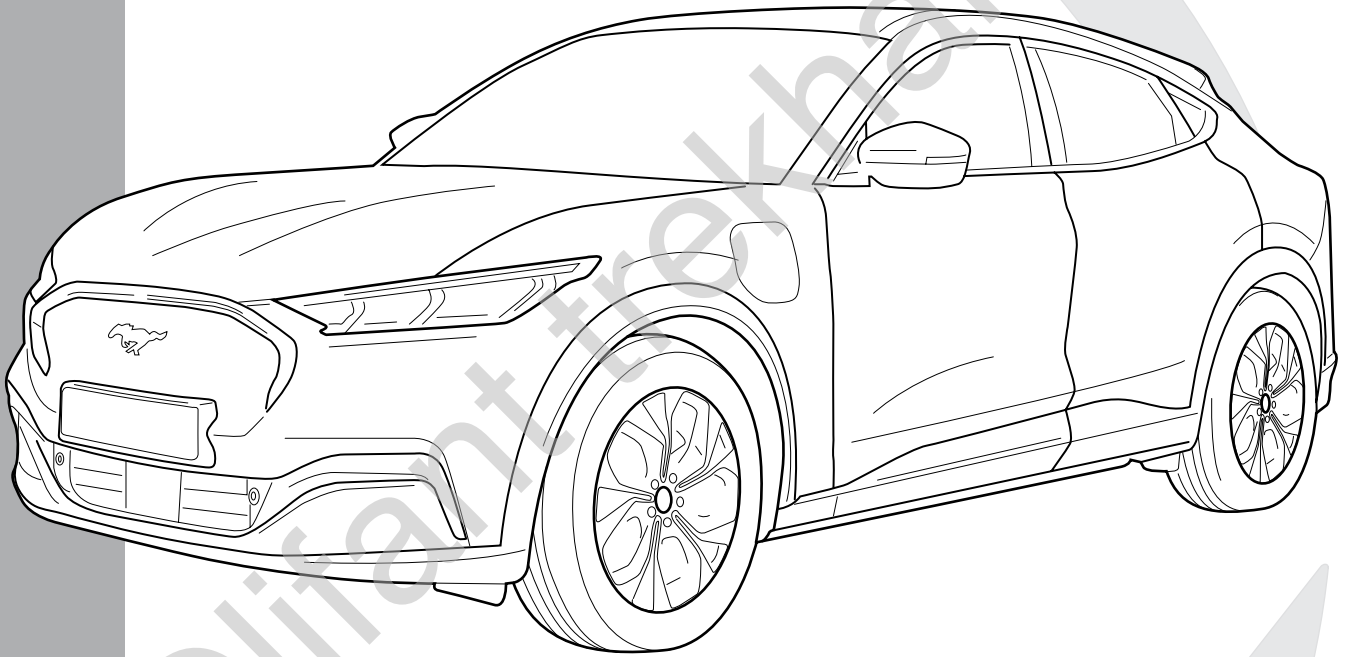


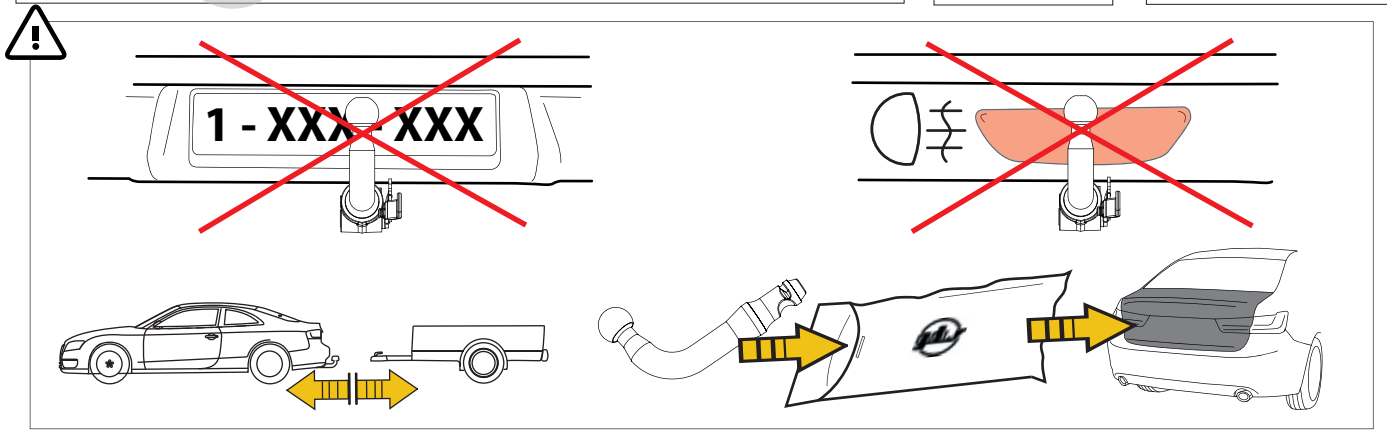
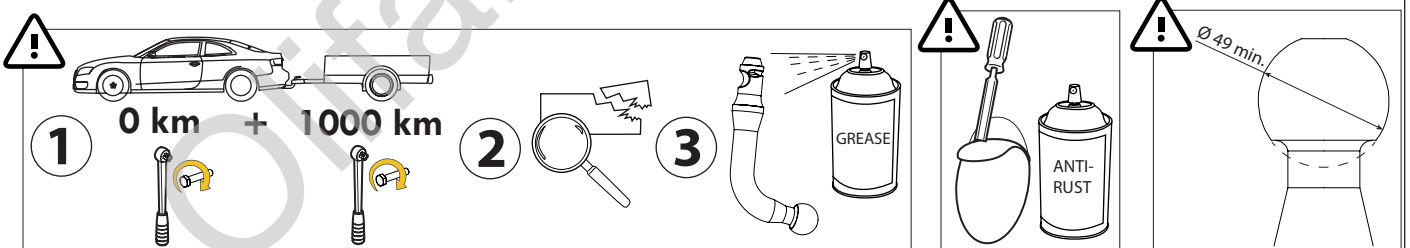
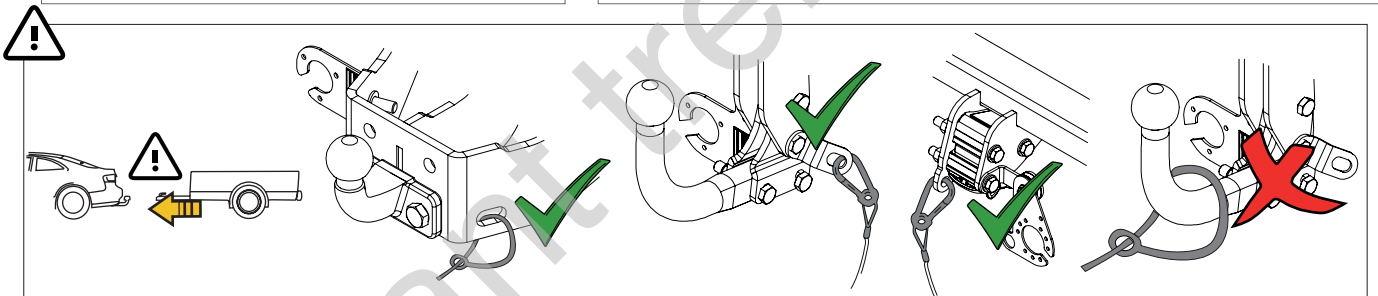
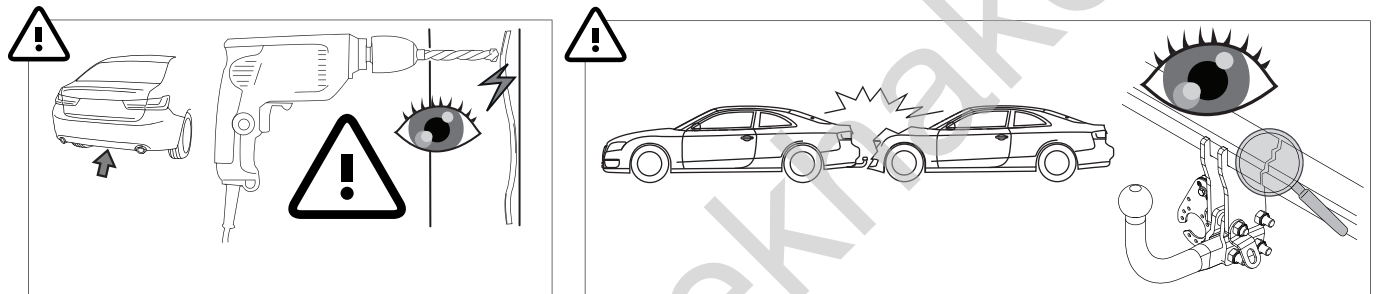
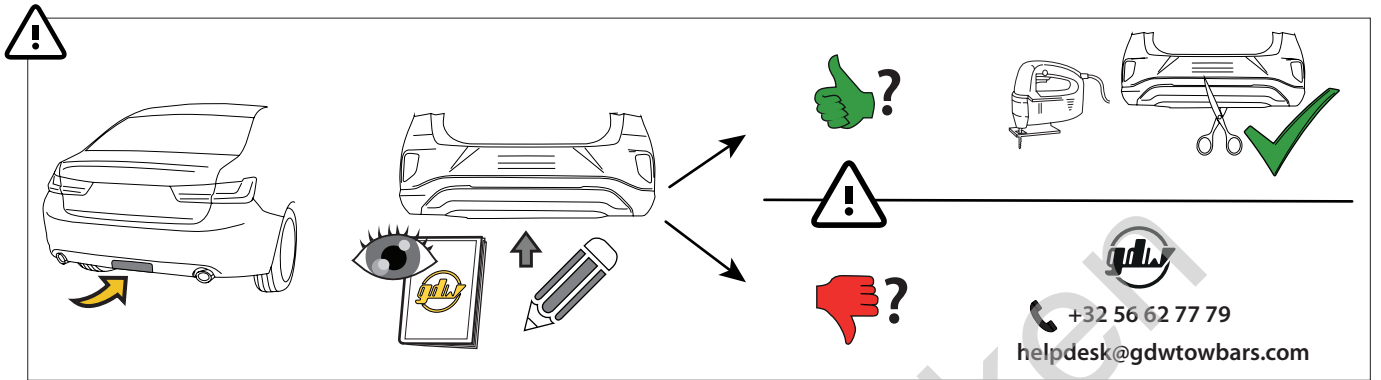
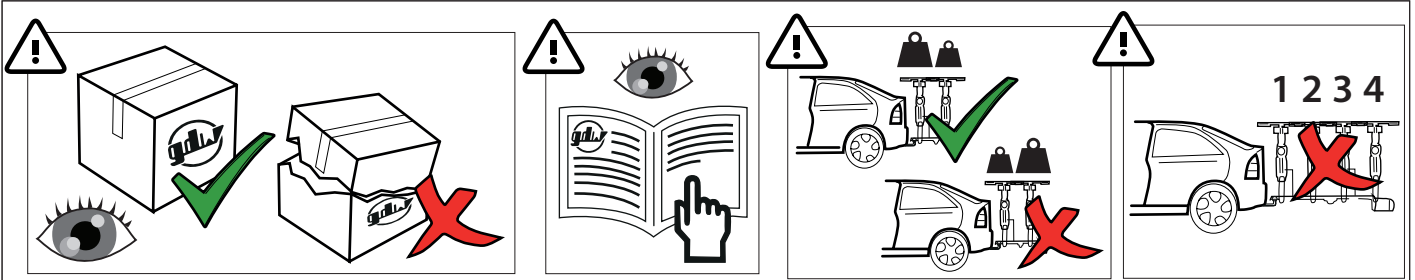
Ford Mustang Mach-E (CGW)

07/'20 -

✓ STANDARD

✓ KICK SENSOR





MADE BY



D 9,50

F

E6

BELGIUM

S 75

EC-N°

55R-02 1720

REF N°

2668T60

SERIAL N°

XXXX

DESCRIPTION

Ford Mustang Mach-E 07/'20-



$$D = \frac{\text{max kg (car)} \times \text{max kg (trailer)}}{\text{max kg (car)} + \text{max kg (trailer)}} \times 0.00981 \leq 9,50 \text{ kN}$$



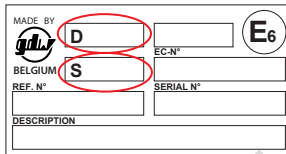
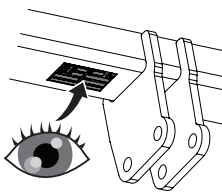
$$S = \begin{matrix} \downarrow \\ \text{hook} \end{matrix} \leq 75 \text{ kg} \quad \begin{matrix} \uparrow \\ \text{trailer} \end{matrix} \leq 1500 \text{ kg}$$



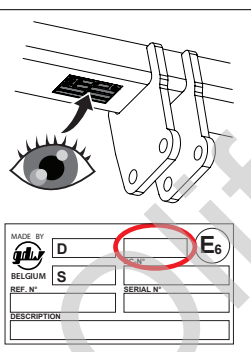
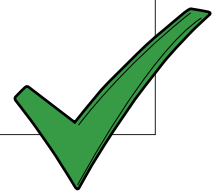
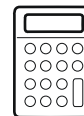
See the Certificate Of Conformity (COC) of your vehicle or contact your dealer to verify the max. trailer weight of your car!



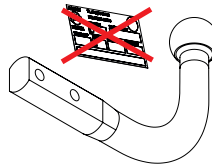
See the user manual of the vehicle for correct use of bicycle carriers!



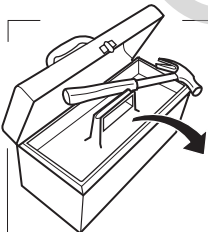
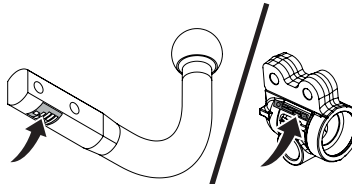
D-VALUE
S-LOAD



A50-X?



F?

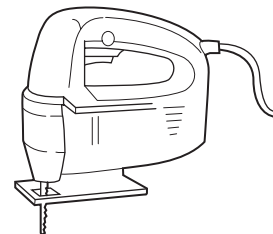
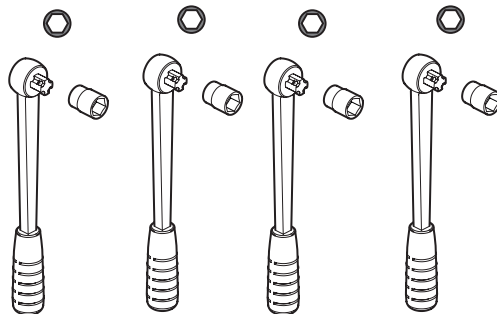


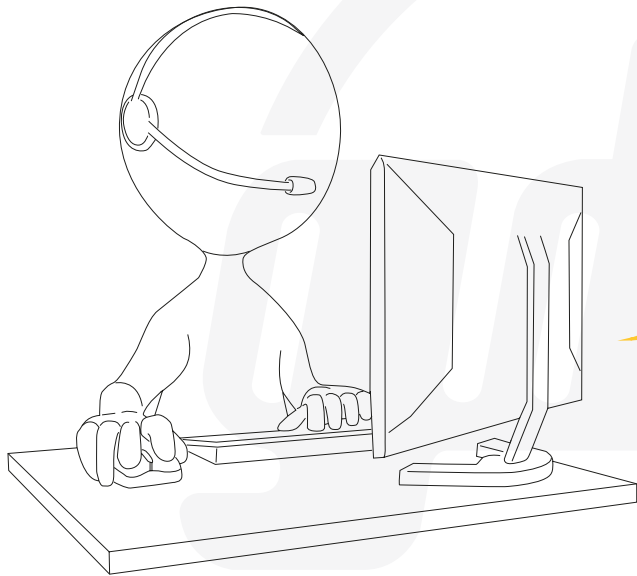
8

10

19

22

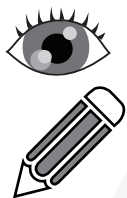




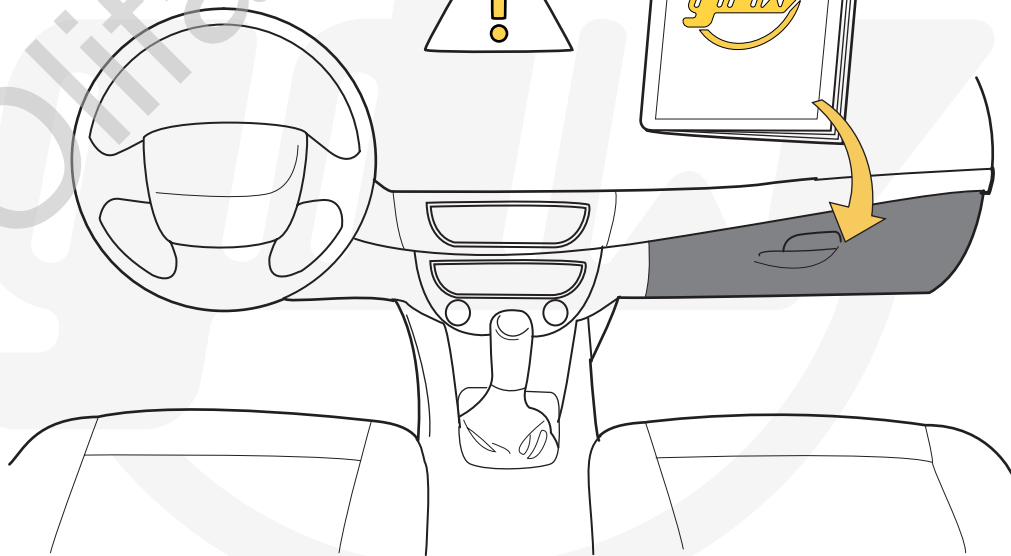
helpdesk@gdwtowbars.com

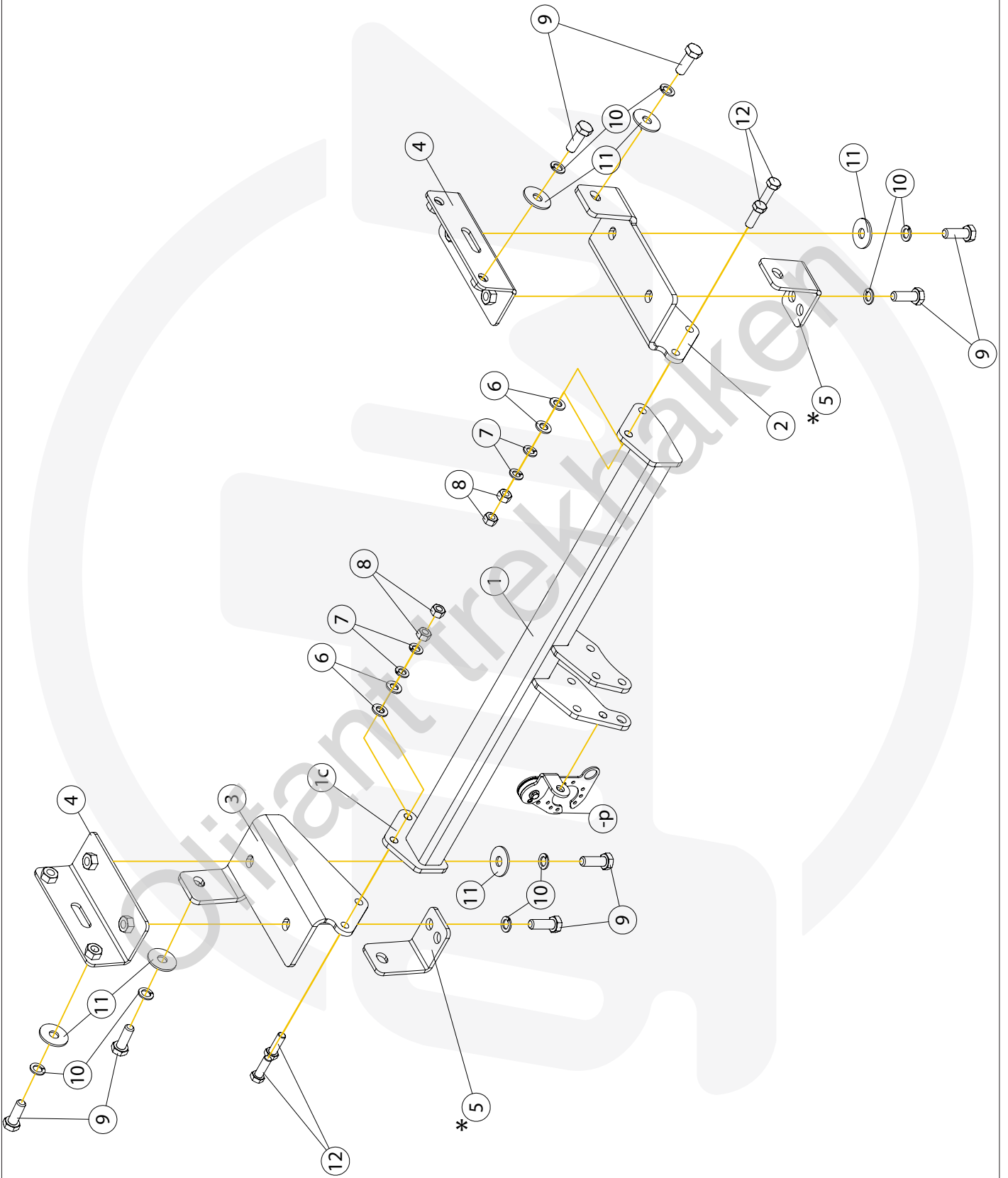
+32 56 62 77 79

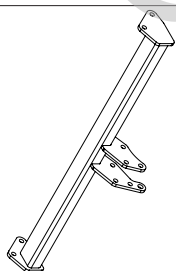
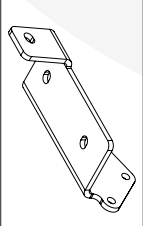
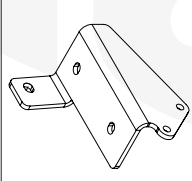
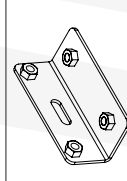
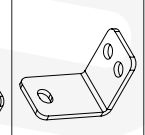



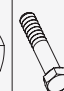

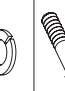

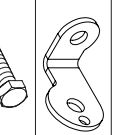
| | | |
|-----------|---------------|---------------|
| Monday | 08:00 - 12:00 | 12:30 - 16:30 |
| Tuesday | 08:00 - 12:00 | 12:30 - 16:30 |
| Wednesday | 08:00 - 12:00 | 12:30 - 16:30 |
| Thursday | 08:00 - 12:00 | 12:30 - 16:30 |
| Friday | 08:00 - 12:00 | 12:30 - 15:30 |

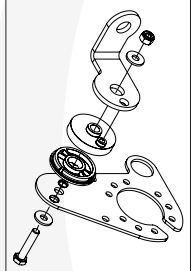




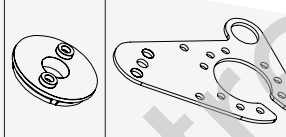




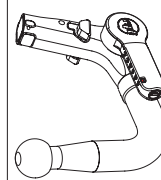

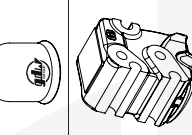
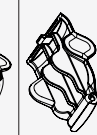

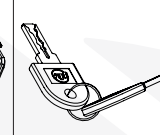
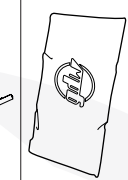
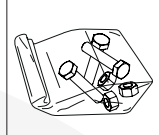


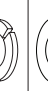

KEY NUMBER



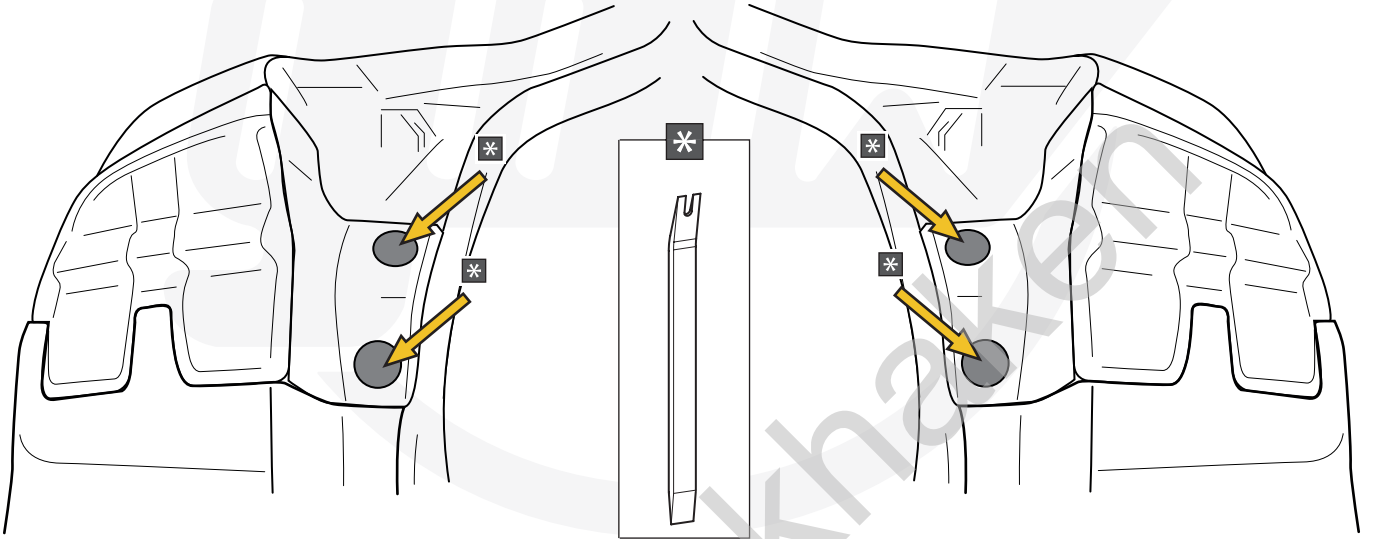
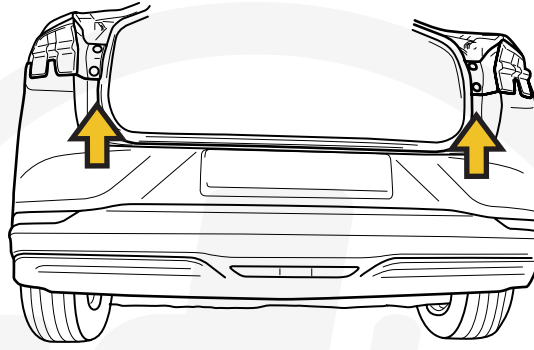


| | | | |
|----|---|----|---------------------------------|
| 1 |  | X1 | GDW REF. 2668T60 |
| 2 |  | X1 | GDW REF. 2 |
| 3 |  | X1 | GDW REF. 3 |
| 4 |  | X2 | GDW REF. 4 |
| 5 |  | X2 | GDW REF.5 * ONLY FOR 1500 KG |
| 6 |  | X4 | DIN125-A12-140HV-ELVZ |
| 7 |  | X4 | DIN128A-M12 |
| 8 |  | X4 | DIN934-M12 |
| 9 |  | X8 | DIN931-M14X40 |
| 10 |  | X8 | DIN128A-M14 |
| 11 |  | X6 | DIN931-M14 X 40 |
| 12 |  | X4 | DIN933-M12 X 35 |
| -V |  | X1 | GDW REF. 908.095 |

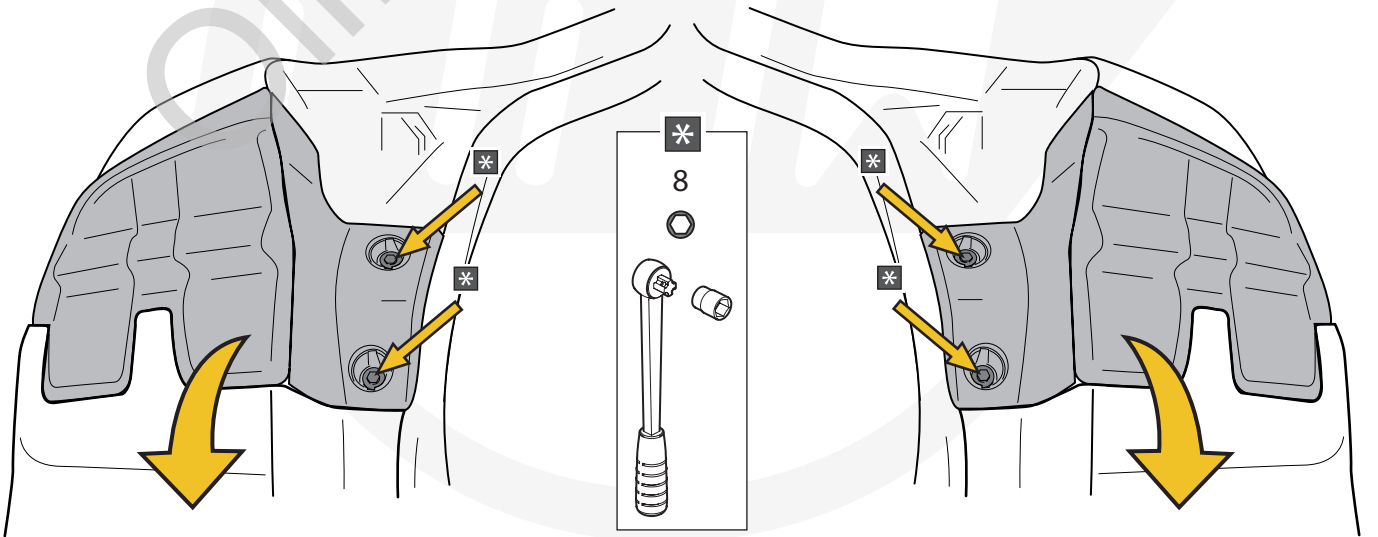
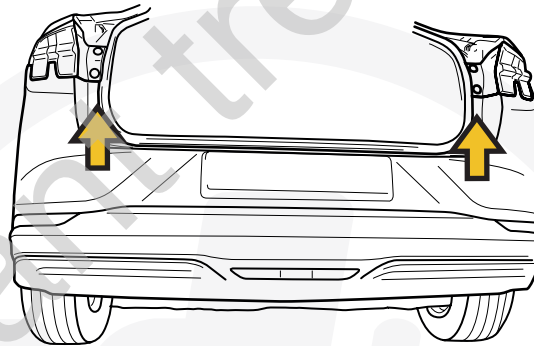
| | | | |
|---|---|----|--------------------------|
| P |  | X1 | GDW REF. P39 |
| ↑ |  | X1 | DIN985-M6 |
| ↑ |  | X2 | 6,2 X 15,4 X 1,6 (NYLON) |
| ↑ |  | X1 | GDW REF. 718.16.002 |
| ↑ |  | X1 | GDW REF. 718.16.003 |
| ↑ |  | X1 | GDW REF. 908.094 |
| ↑ |  | X1 | DIN933-M6 X 30 |
| ↑ |  | X1 | GDW REF. 908.095 |

| | | | |
|--|--|----|--|
| Geleverd met - Livré avec - Delivered with Geliefert mit - Elementos adjuntos-Leveres med |  | X1 | GDW REF. 960.V1010 |
| | ↑  | X1 | GDW REF. 740.200 |
| | ↑  | X1 | GDW REF. 912.003 |
| | ↑  | X1 | GDW REF. 740.112 |
| | ↑  | X1 | GDW REF. 740.111 |
| | ↑  | X1 | GDW REF. 740.12X X= LAST NUMBER ON KEY |
| | ↑  | X1 | GDW REF. 718.15.001 |
| | ↑  | X1 | GDW REF. SYST60-10 |
| | ↑  | X3 | DIN931-M12X110-8.8 |
| | ↑  | X3 | DIN128A-M12 |
| | ↑  | X6 | DIN125A-M12 |
| | ↑  | X3 | DIN934-M12 |

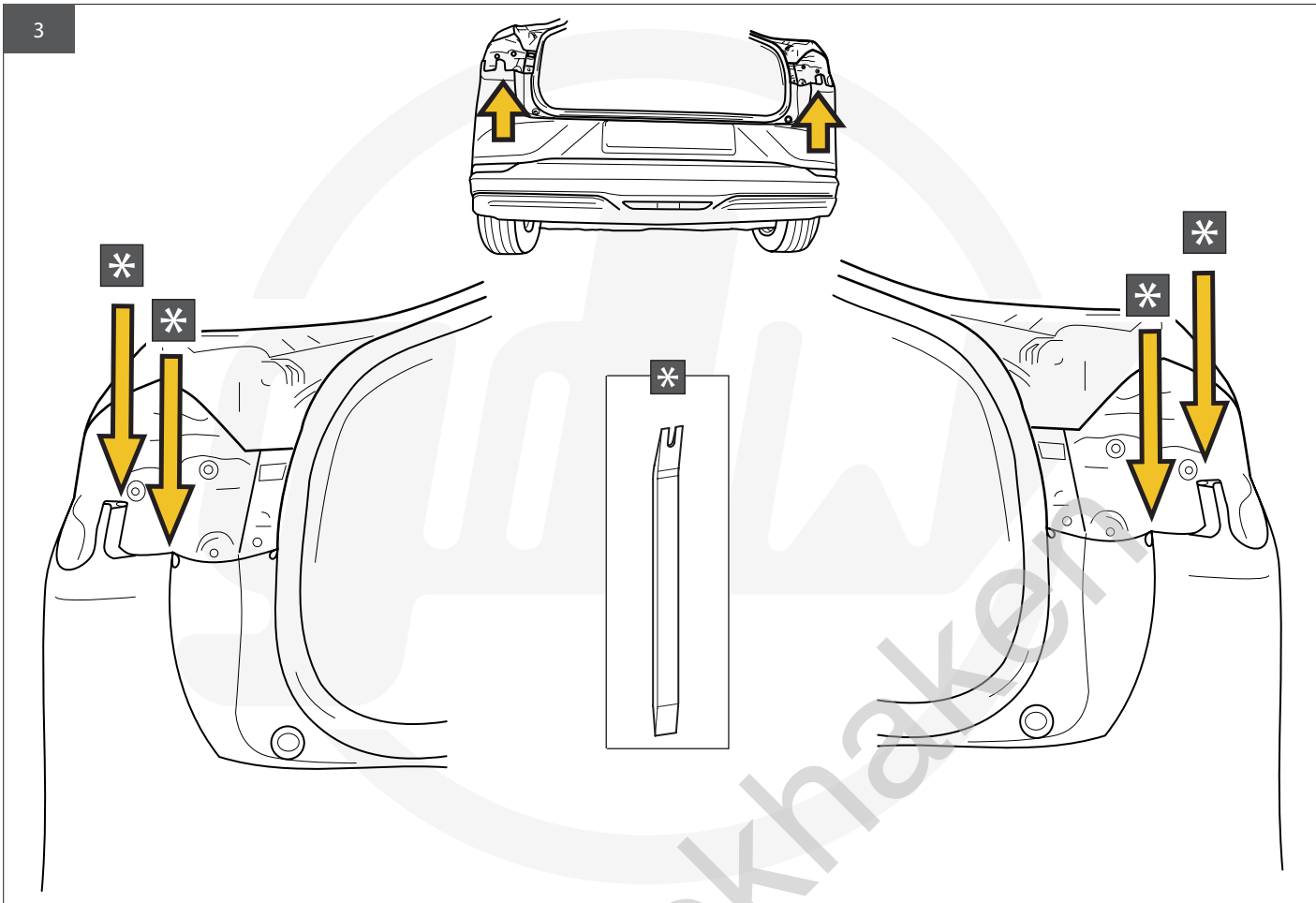
1



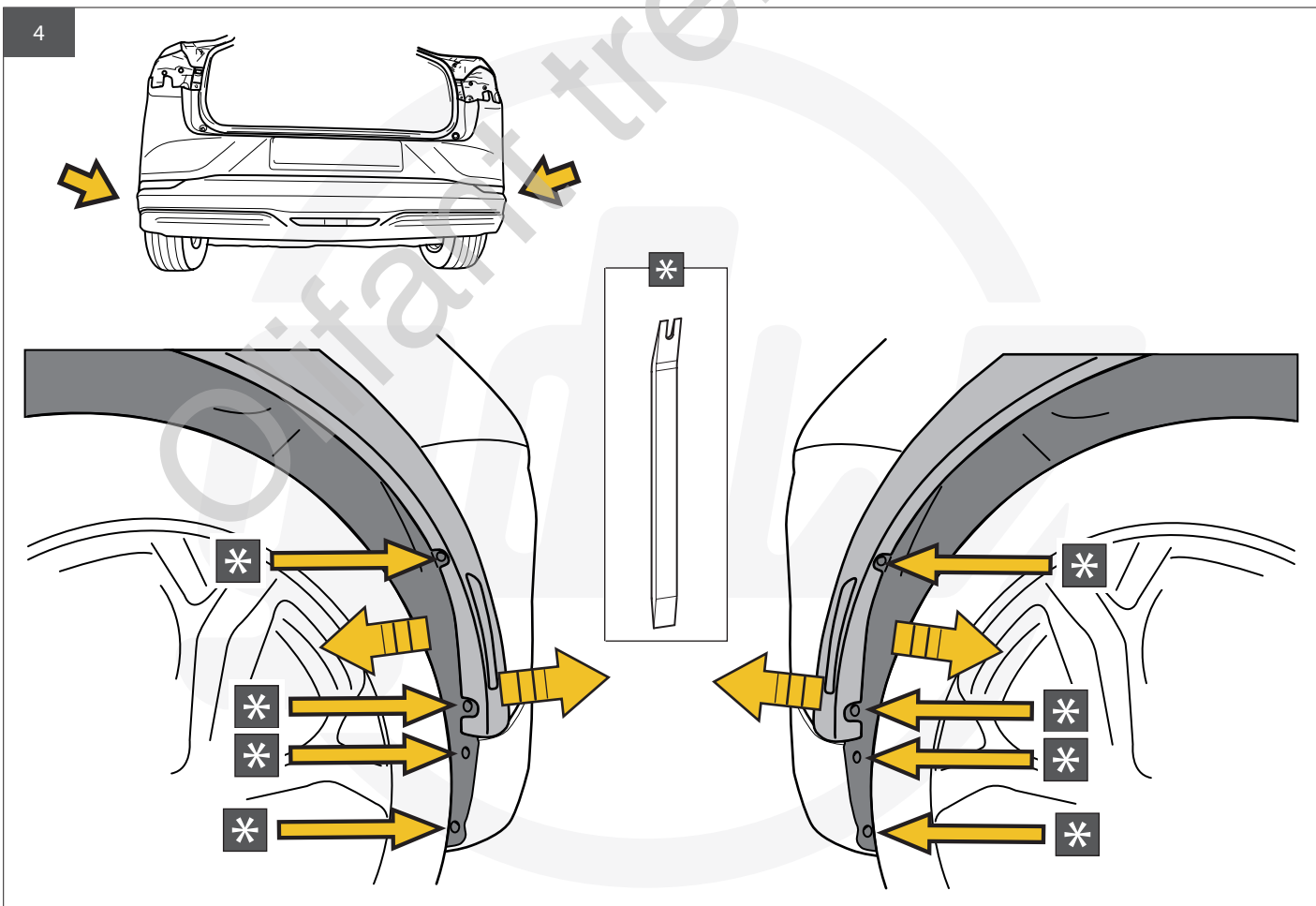
2

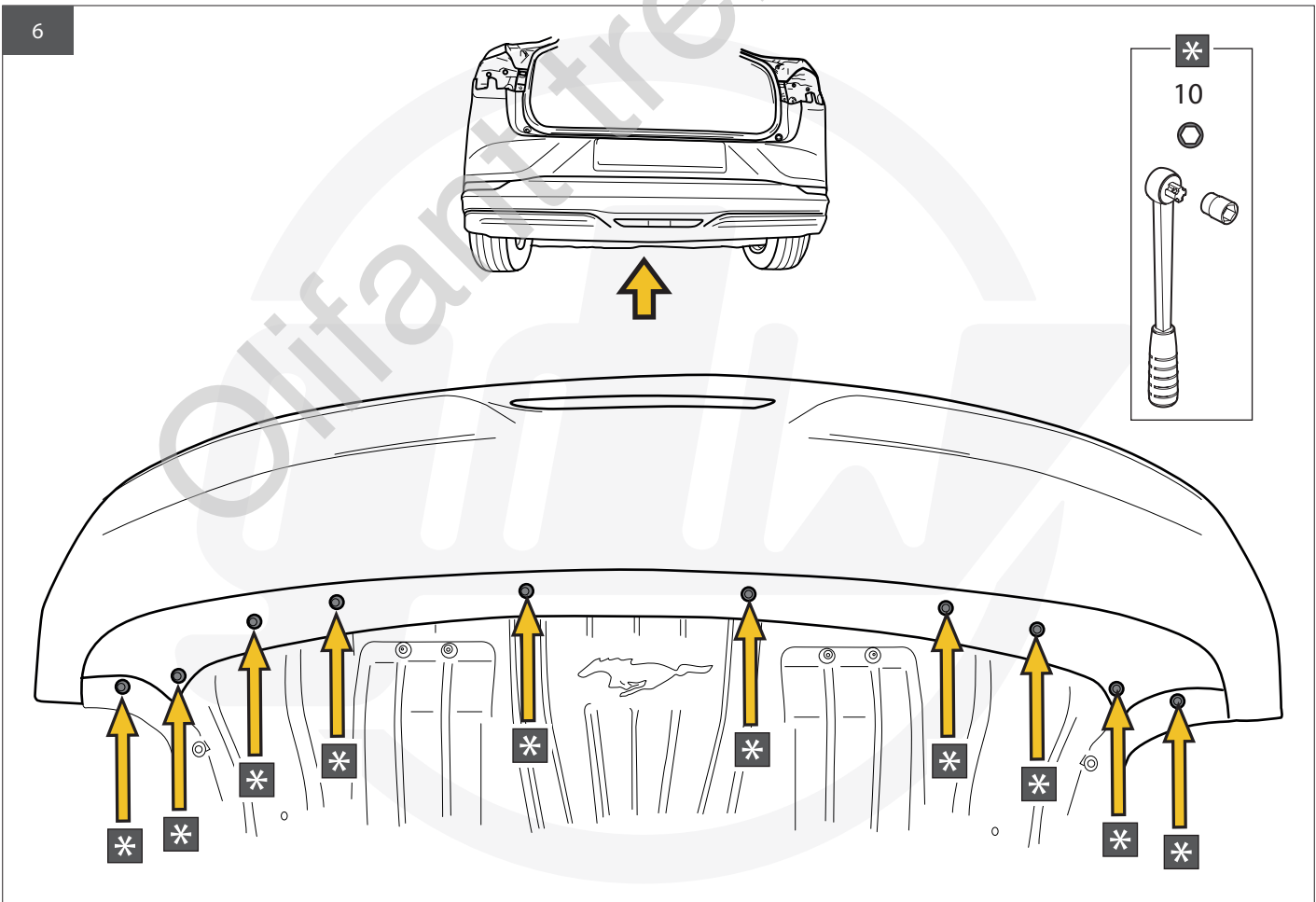
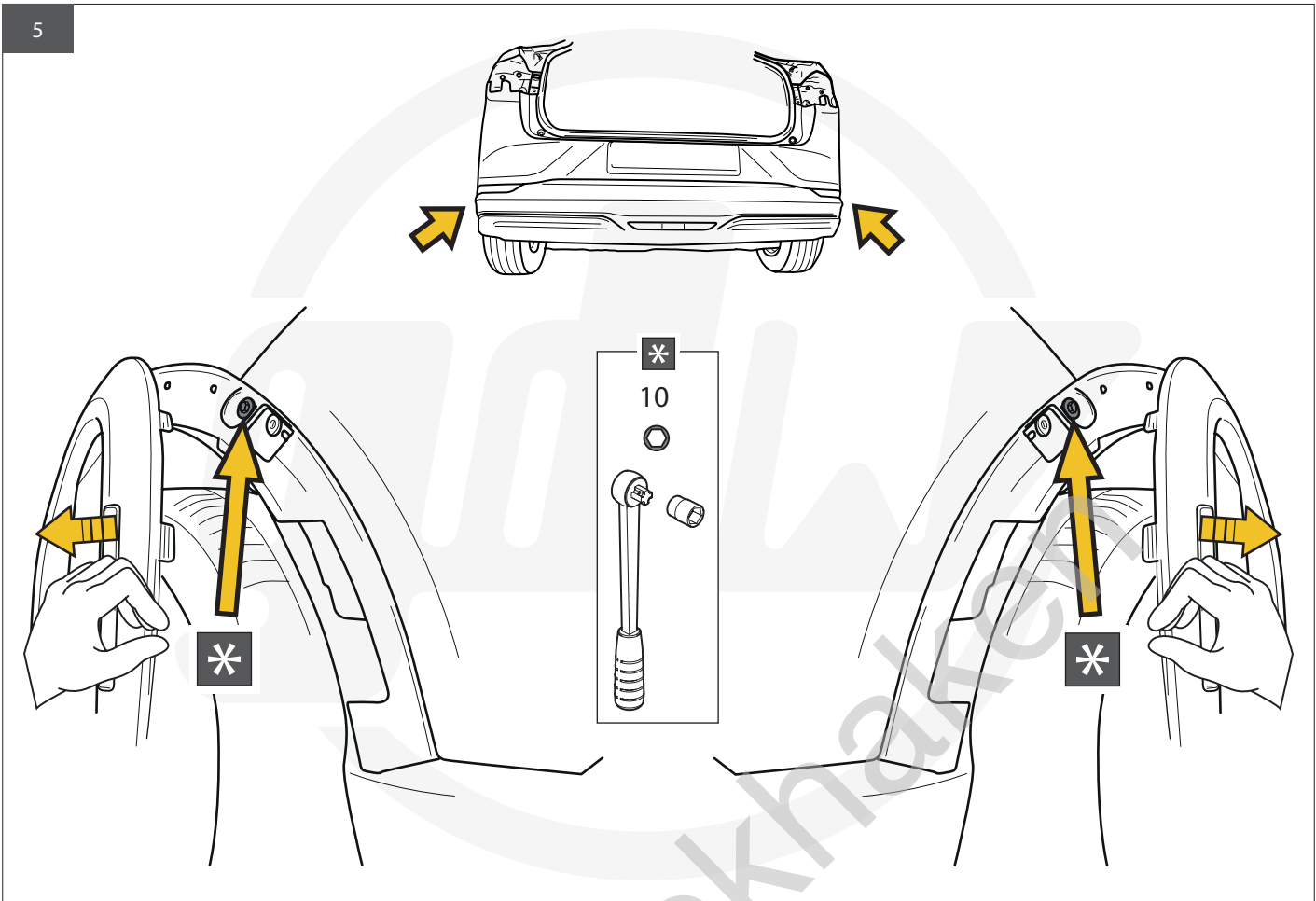


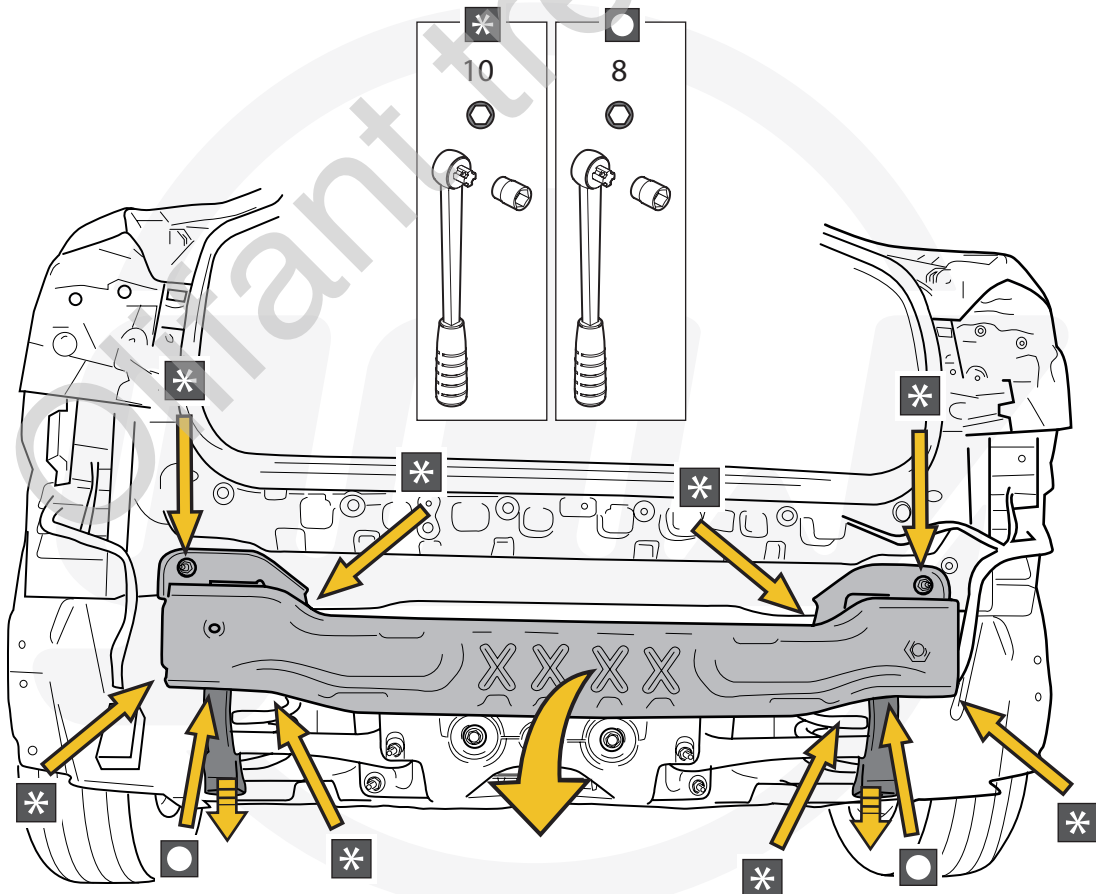
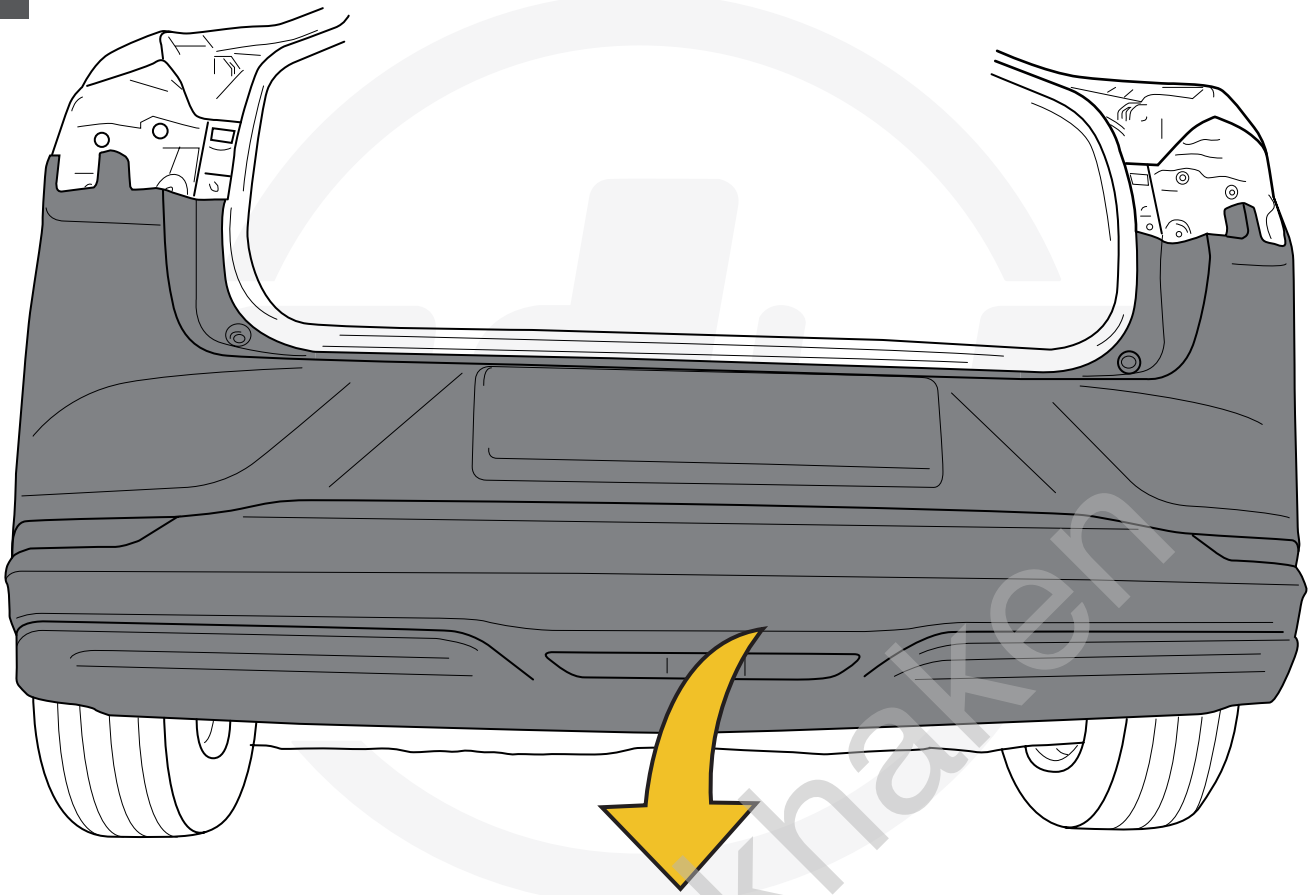
3

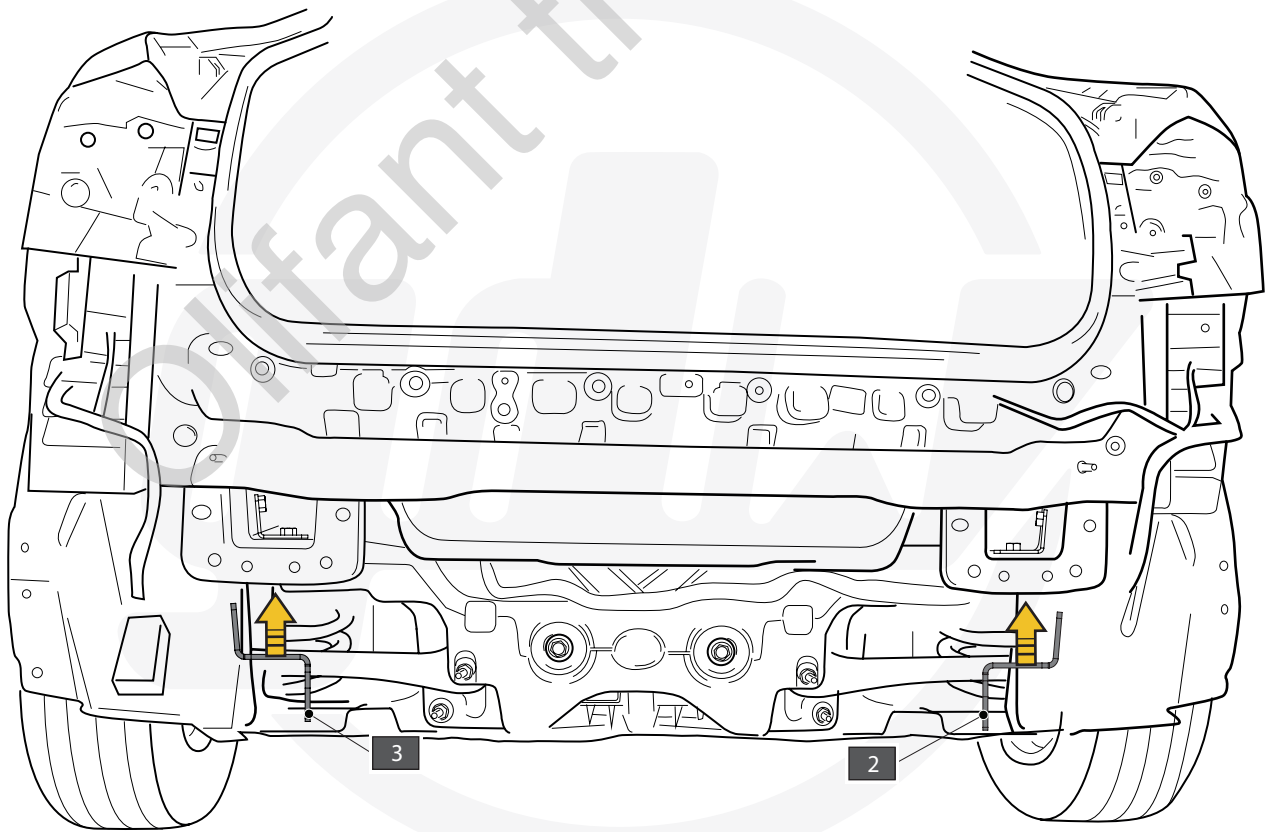
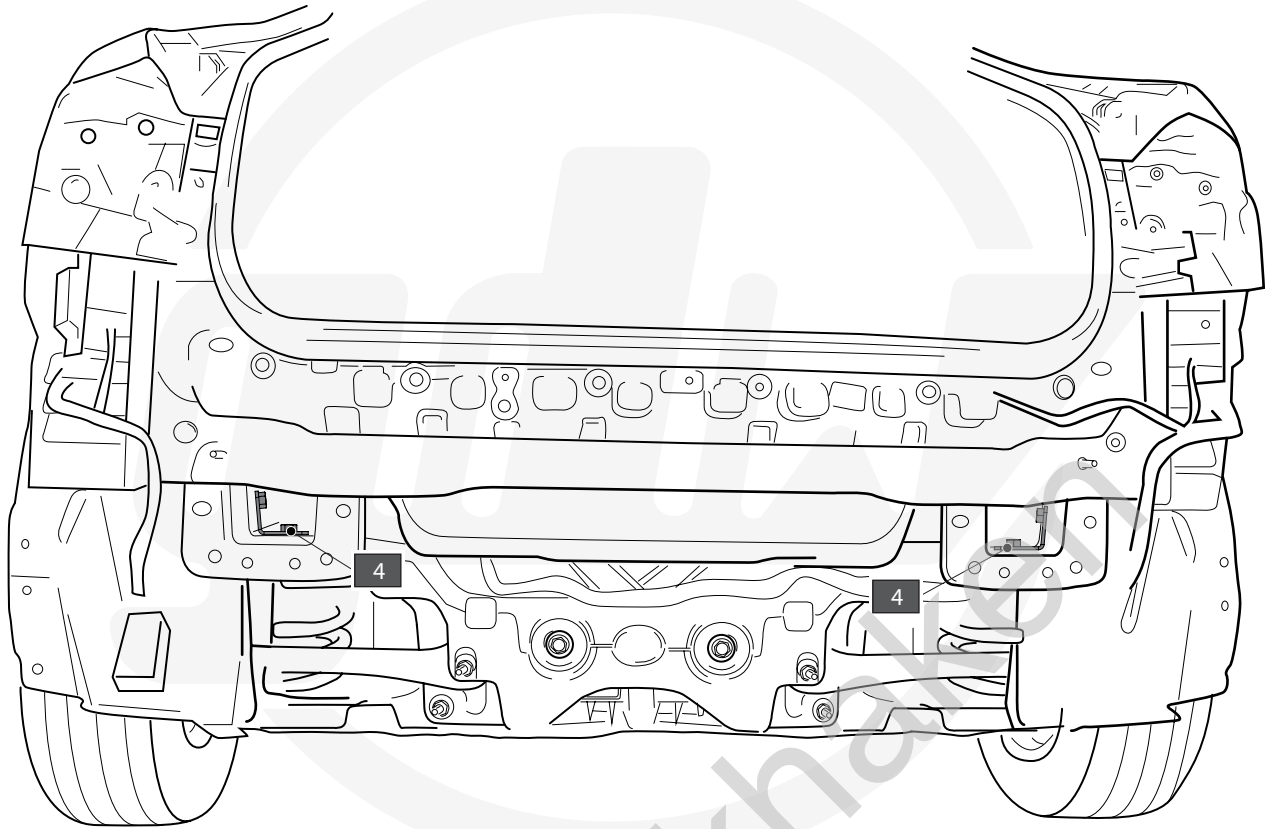


4

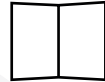
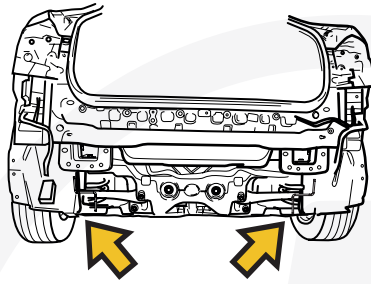




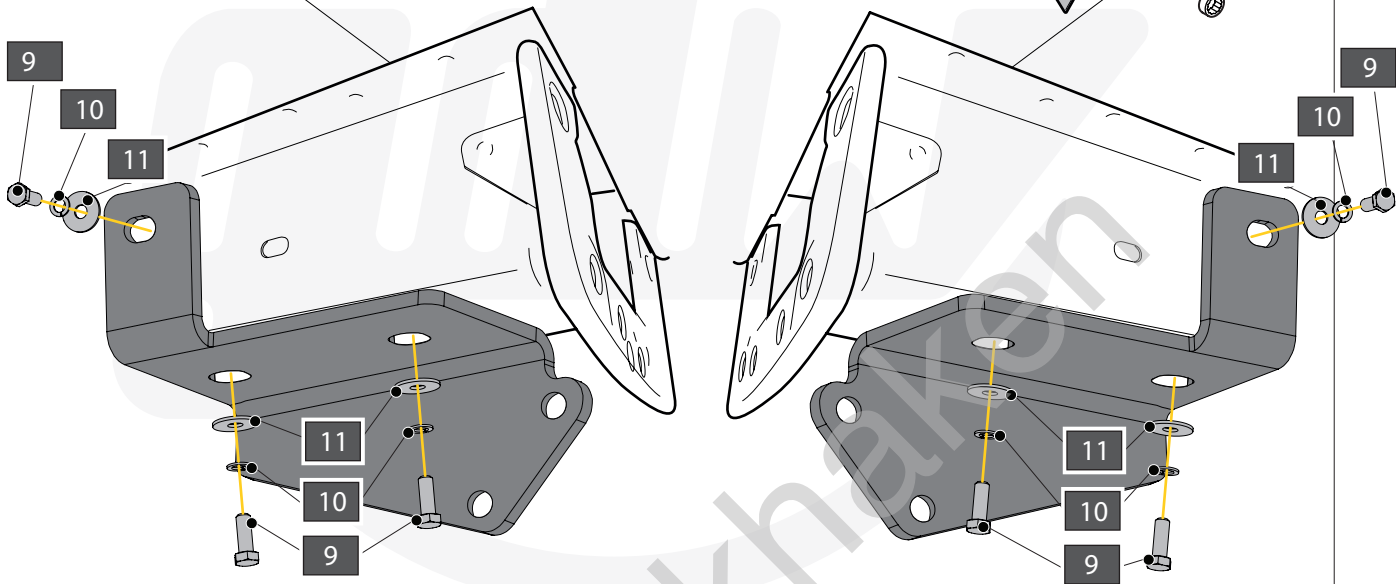




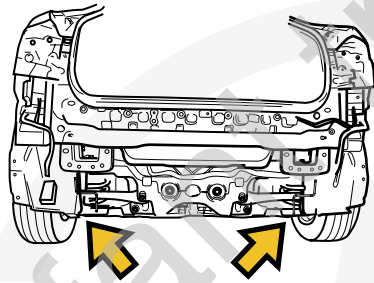
11



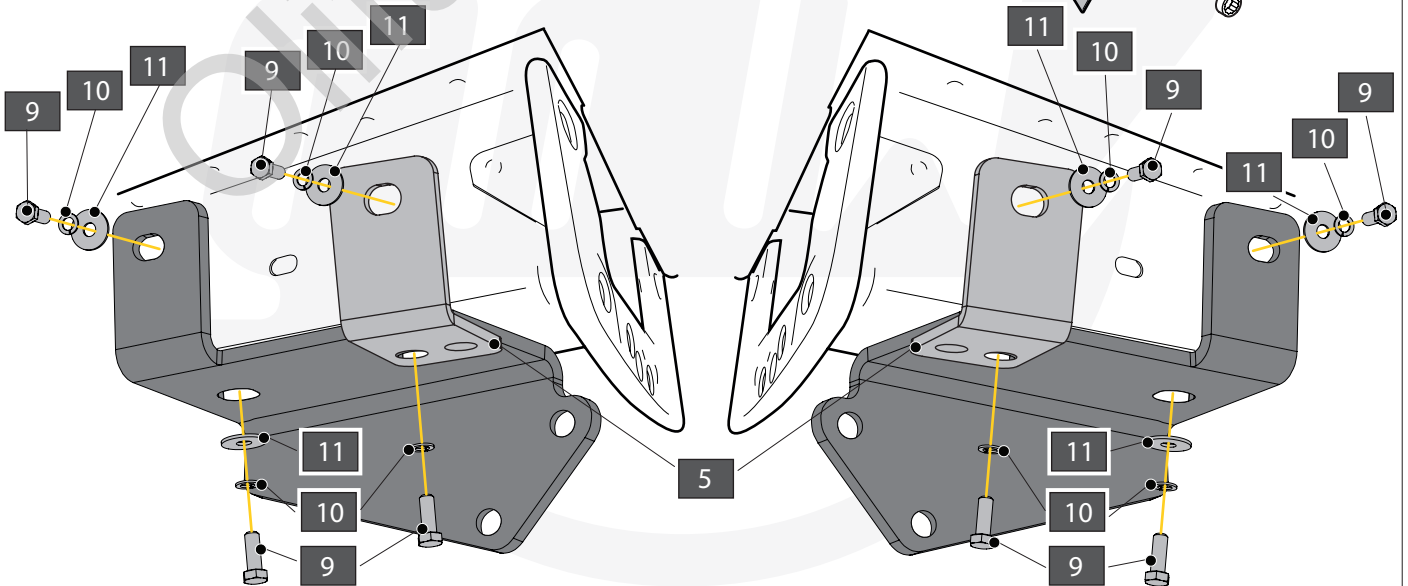
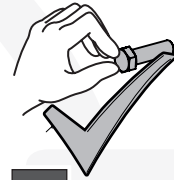
750 KG

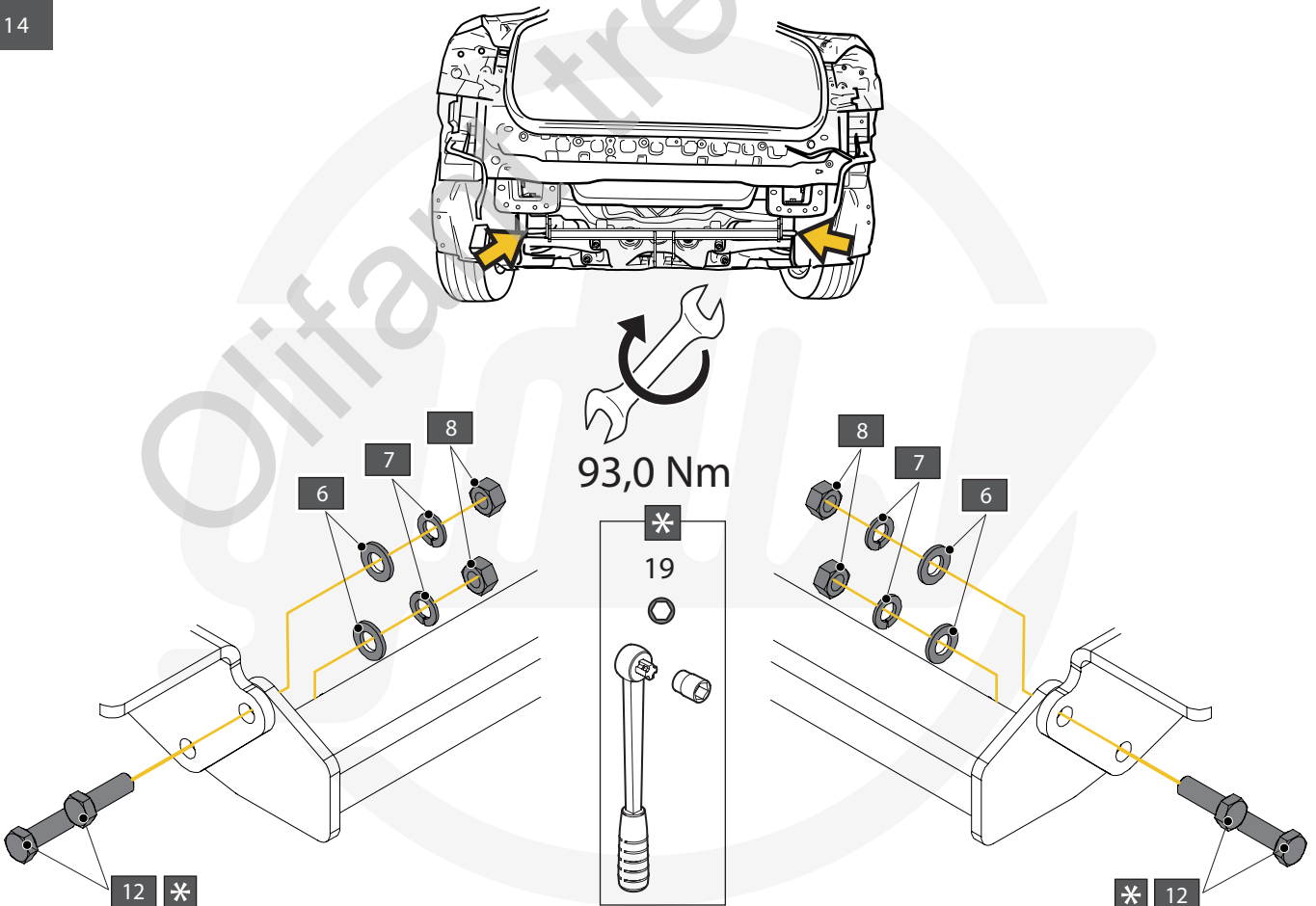
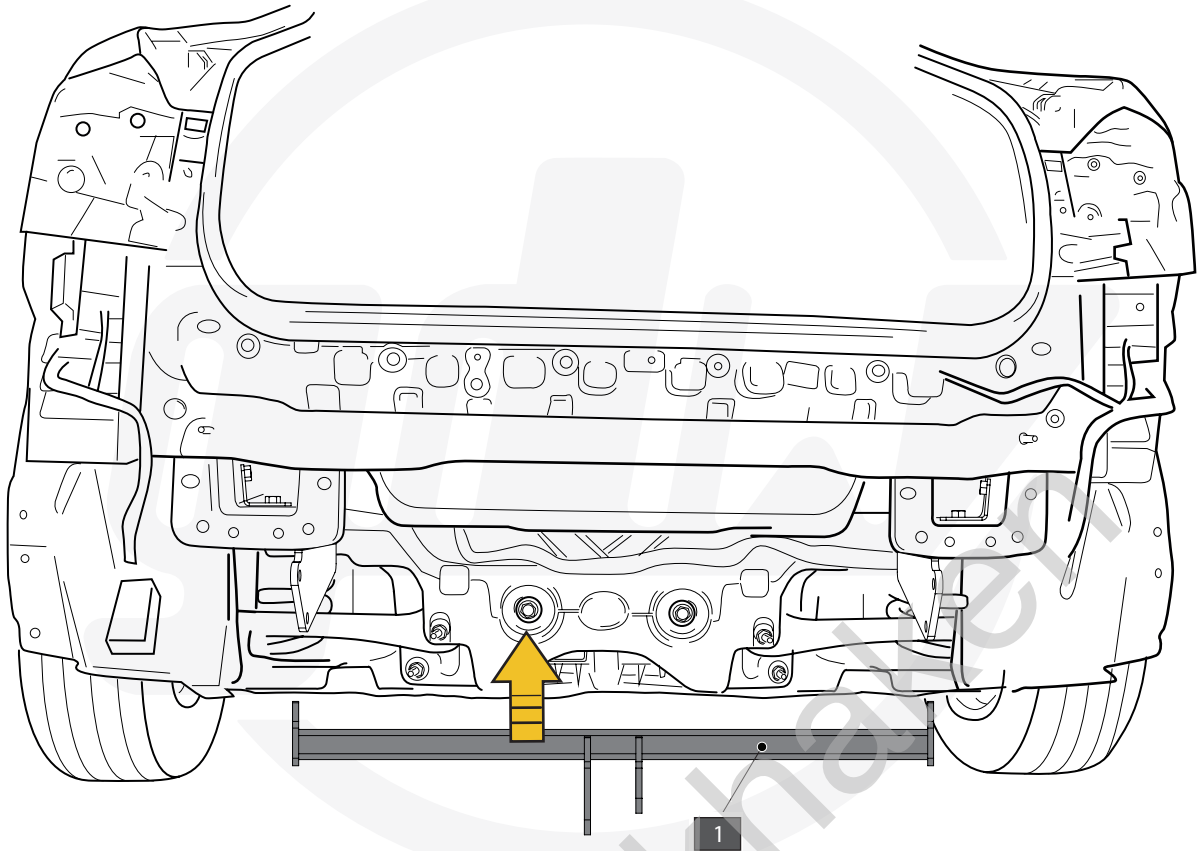


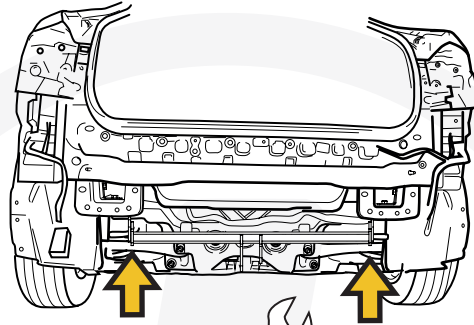
12



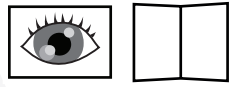
1500 KG







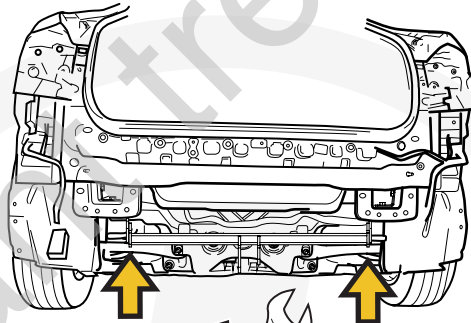
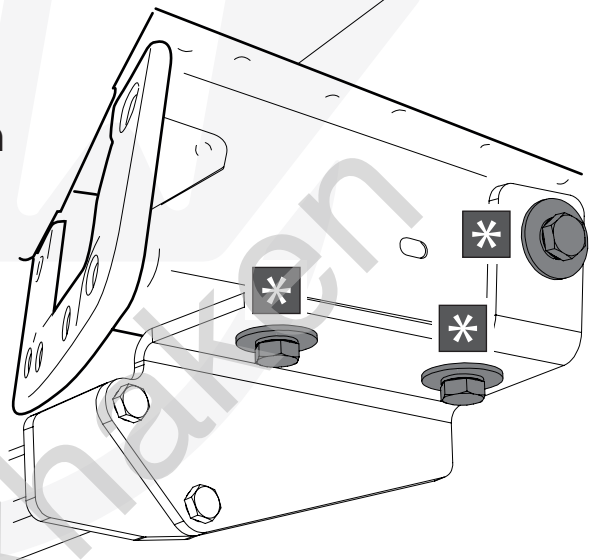
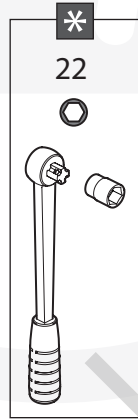
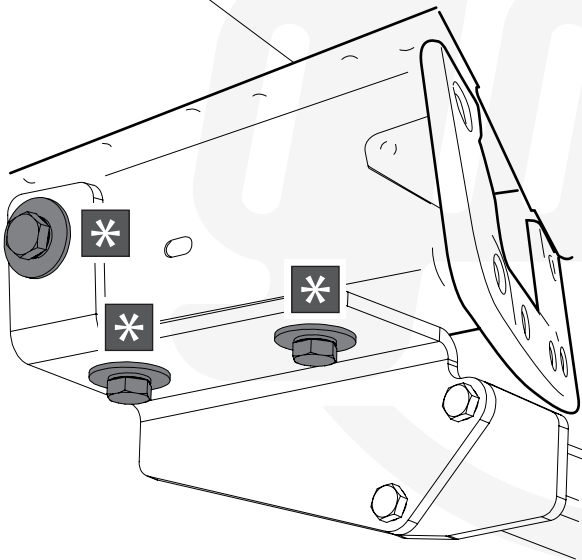
750 KG



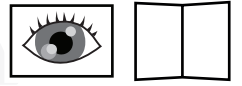
COC



148,0 Nm



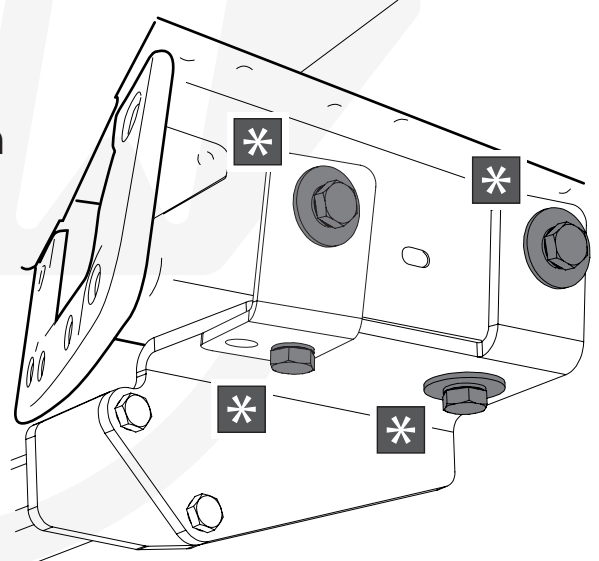
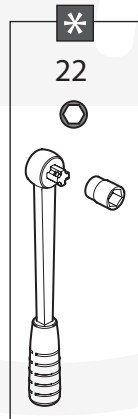
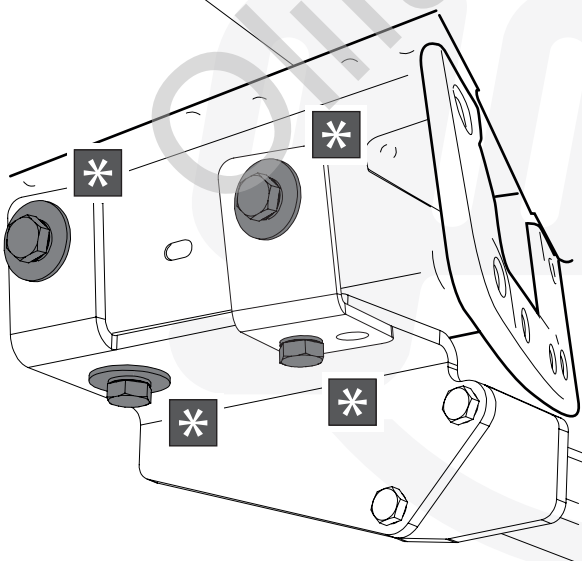
1500 KG

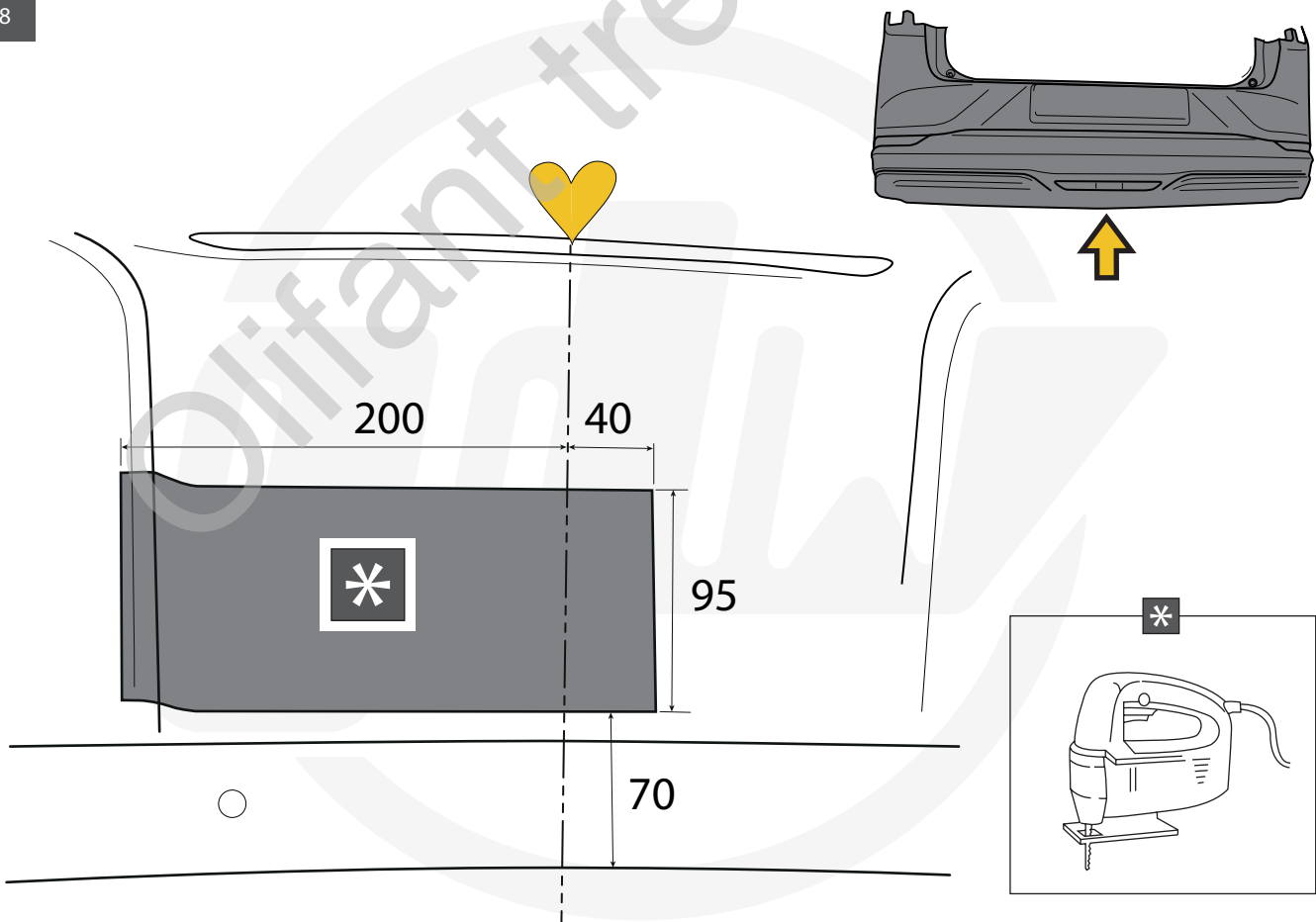
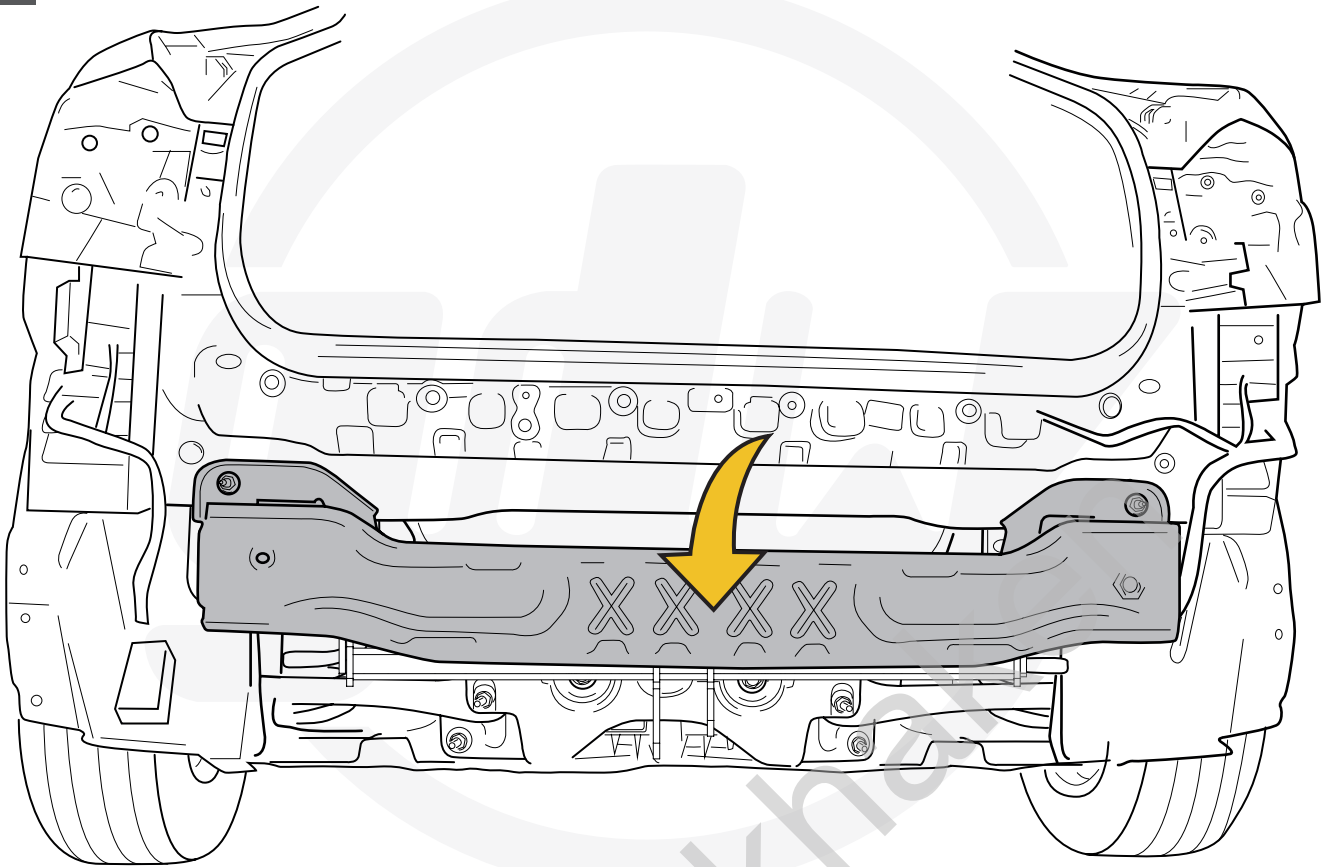


COC



148,0 Nm





| | | | |
|---|--|----|--------------------------|
| A | | X1 | GDW REF. 908.095 |
| B | | X1 | DIN985-M6 |
| C | | X2 | 6,2 X 15,4 X 1,6 (NYLON) |
| D | | X1 | GDW REF. 718.16.002 |
| E | | X1 | GDW REF. 718.16.003 |
| F | | X1 | GDW REF. 908.094 |
| G | | X1 | DIN933-M6 X 30 |

| | | | |
|---|--|----|-----------------|
| A | | X1 | 912.003 |
| B | | X3 | DIN931-M12X110 |
| C | | X6 | DIN125A-A12X140 |
| D | | X4 | DIN128A-M12 |
| E | | X2 | DIN934-M12 |

