

PPUH AUTO-HAK Sp.J.

Henryk i Zbigniew Nejman
ul. Słoneczna 16K 76-200 SŁUPSK
POLAND

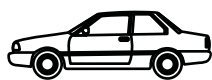
tel/fax +48 59 8 414 414; +48 59 8 414 413

e-mail: office@autohak.com.pl

www.autohak.com.pl



AUTO-HAK



FORD KUGA
SUV, 2+4WD

Cat. no:

C53A



05.2008 → 02.2013



E20-55R-01 4162



10,55 kN



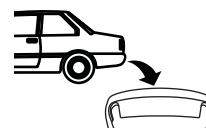
R=2100 kg



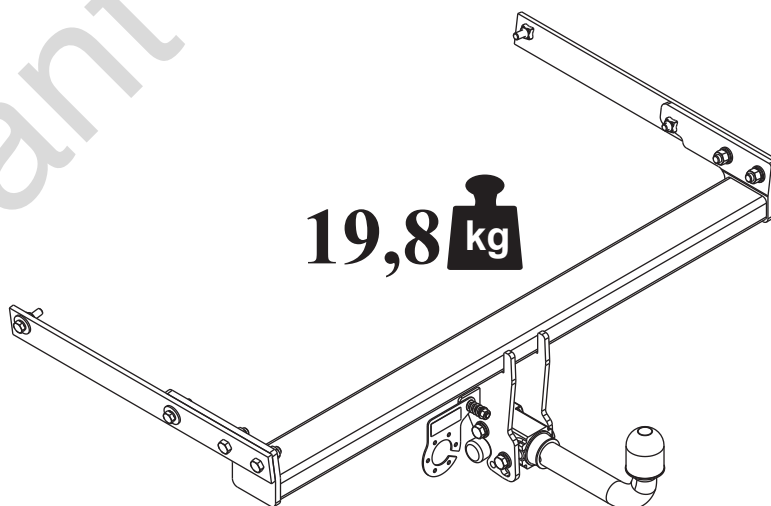
S=105



2h



19,8 kg



M6 - 11 Nm
M10 - 50 Nm
M14 - 138 Nm

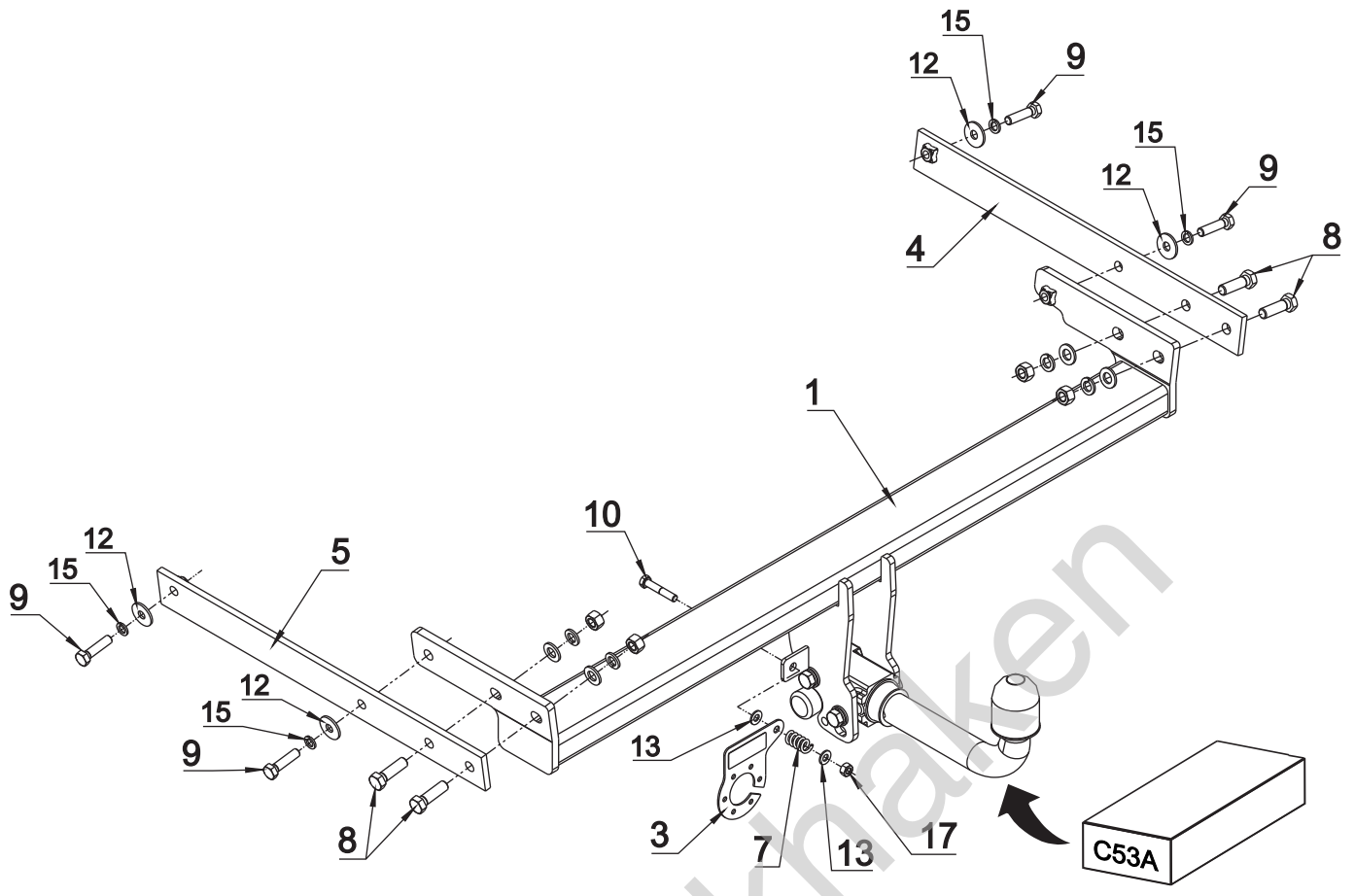
M8 - 25 Nm
M12 - 87 Nm
M16 - 210 Nm

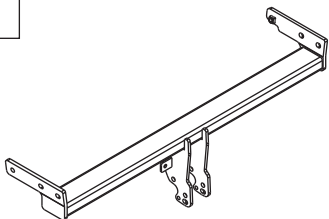

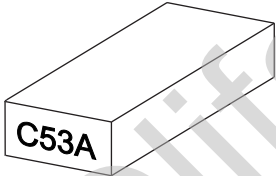

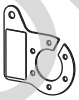

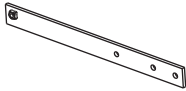
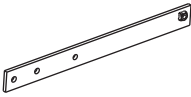




0 km →



1000 km



1		x 1		8	M 12x40	x 4
				9	M 10x40	x 4
2		x 1		10	M 8x45	x 1
				11	∅ 13	x 4
				12	∅ 30x∅10.5x2.5 10 (DIN 9021)	x 4
				13	∅ 8.4	x 2
3		x 1		14	∅ 12.2	x 4
				15	∅ 10.2	x 4
4		x 1		16	M 12	x 4
5		x 1		17	M 8	x 1
6		x 1				
7		x 1				

