

PPUH AUTO-HAK Sp.J.

Henryk i Zbigniew Nejman
ul. Słoneczna 16K 76-200 SŁUPSK
POLAND

tel/fax +48 59 8 414 414; +48 59 8 414 413

e-mail: office@autohak.com.pl

www.autohak.com.pl



AUTO-HAK

FORD FOCUS 5D (Mk4), ~~ST~~

Cat. no:

C67



04.2018 →



E20-55R-01 5631

D

10,0 kN



R=2100 kg



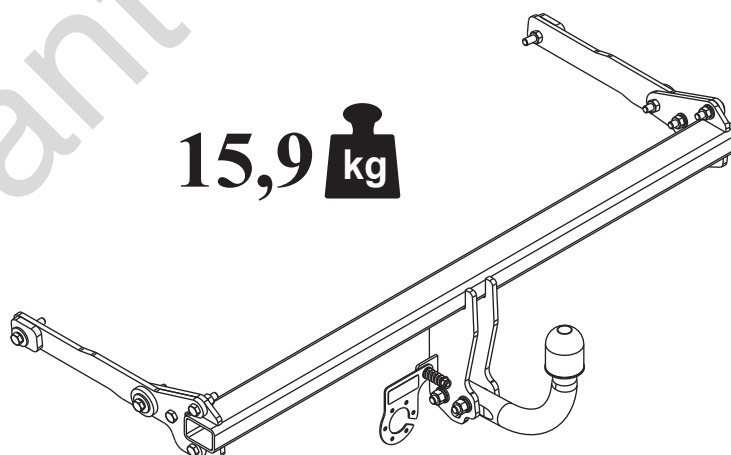
S=100 kg



1,5h



15,9  kg



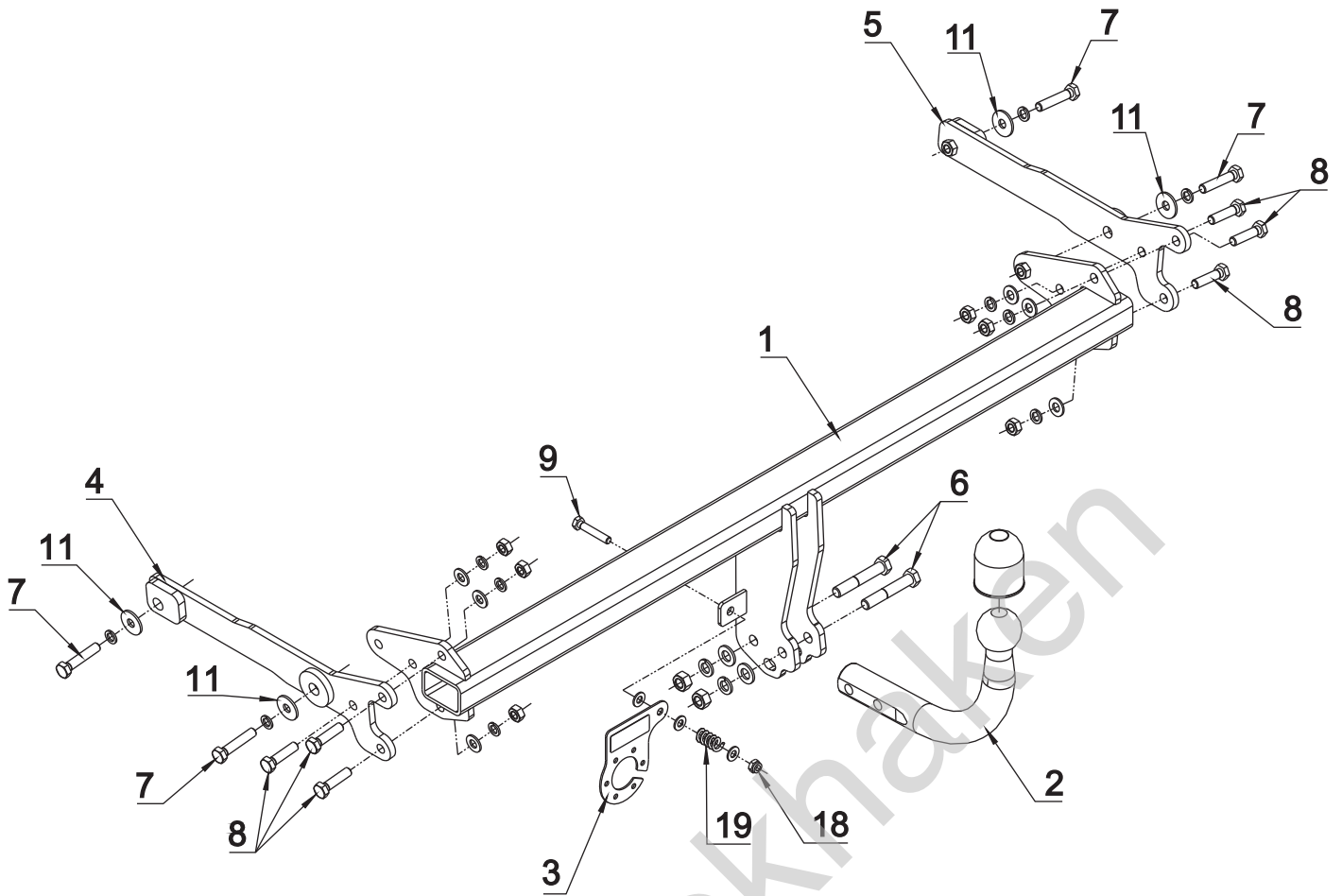
śruba	Nm	M6	M8	M10	M12	M14	M16
klasa 8.8		9,9	24	48	83	132	200
klasa 10.9		14	34	67	117	185	285

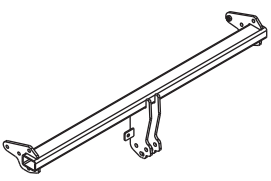




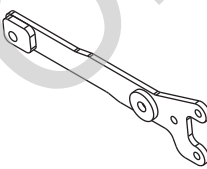
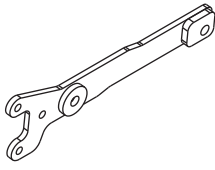
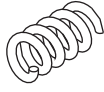



0 km →

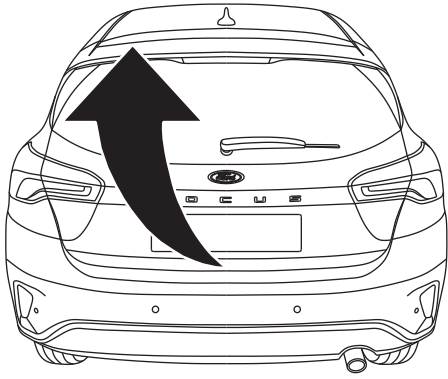


1000 km

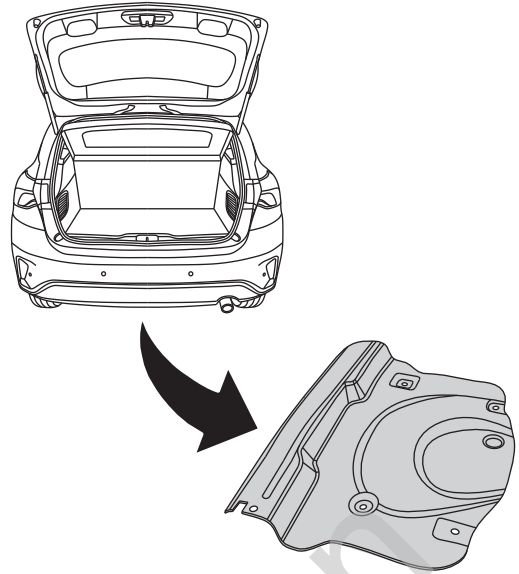


1		x 1		6	M12x70	x 2
2		x 1 Art.nr-KL1C67		7	M10x50	x 4
				8	M10x40	x 6
3		x 1 Art.nr-BL12C67		9	M8x45	x 1
				10	∅ 13	x 2
4		x 1		11	∅ 30x∅10.5x2.5 10 (DIN 9021)	x 4
				12	∅ 10.5	x 6
5		x 1		13	∅ 8.4	x 3
				14	∅ 12.2	x 2
6				15	∅ 10.2	x 10
				16	M12	x 2
7				17	M10	x 6
				18	M 8 (DIN985)	x 1
19		x 1				
20		x 1				

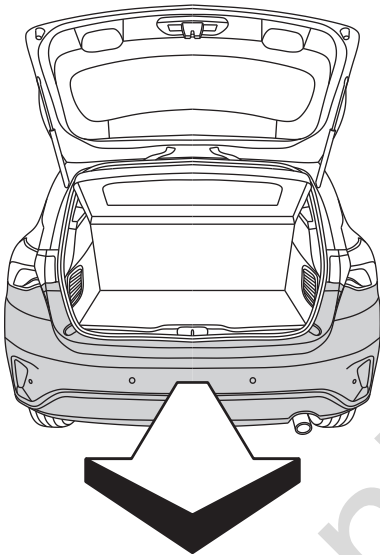
01



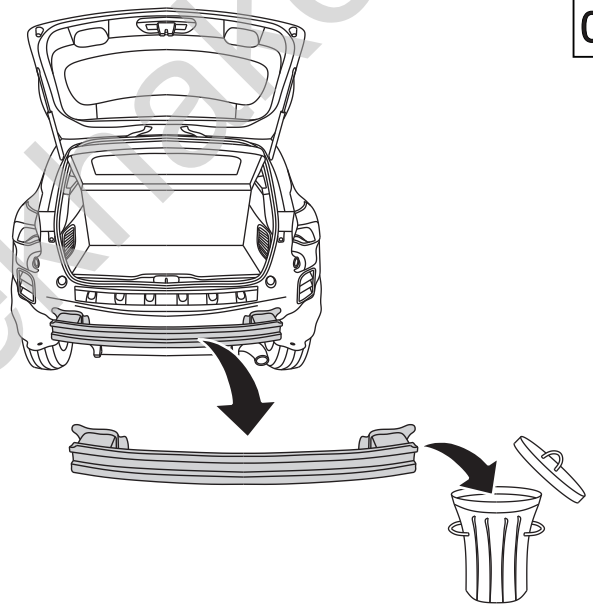
02



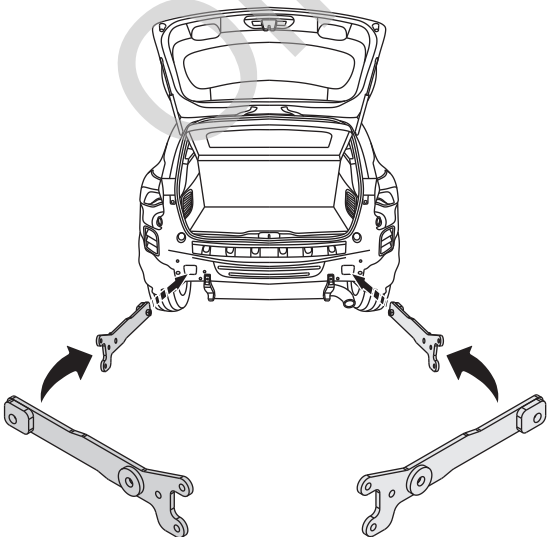
03



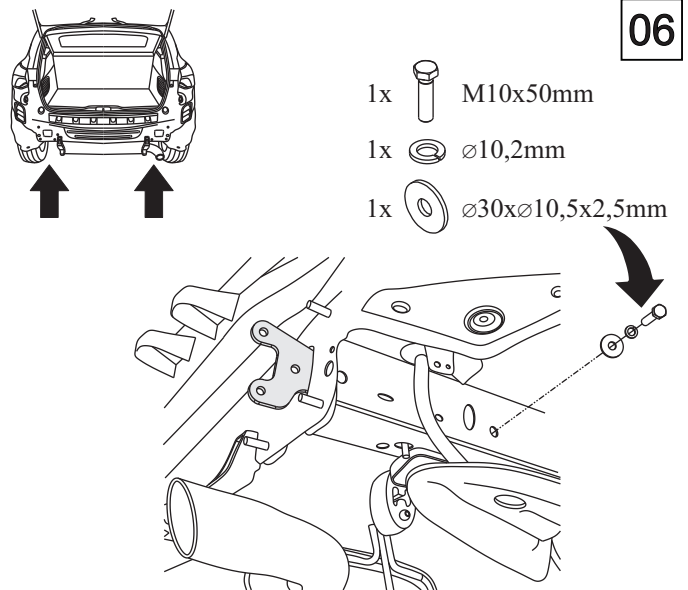
04



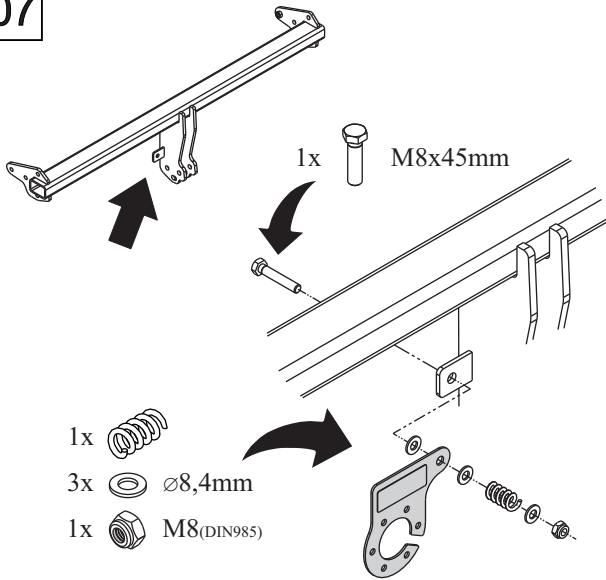
05



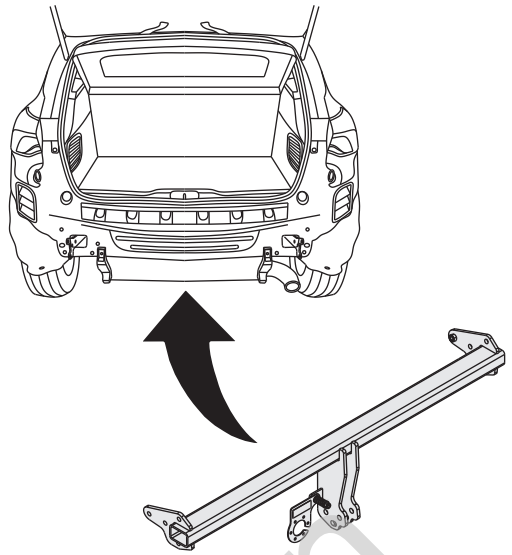
06



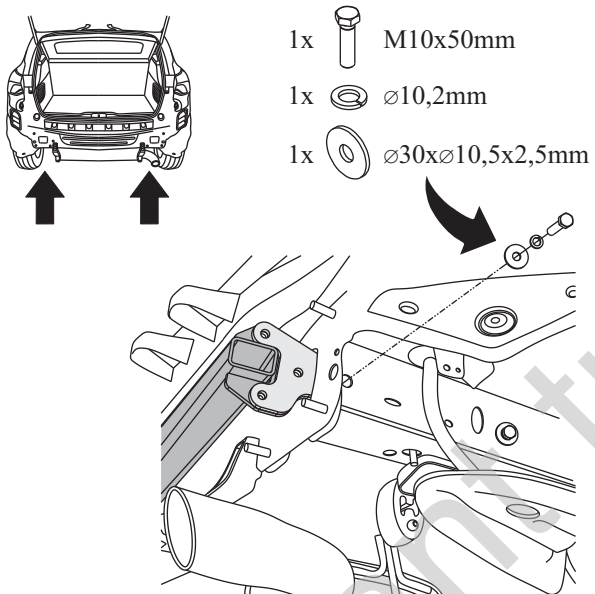
07



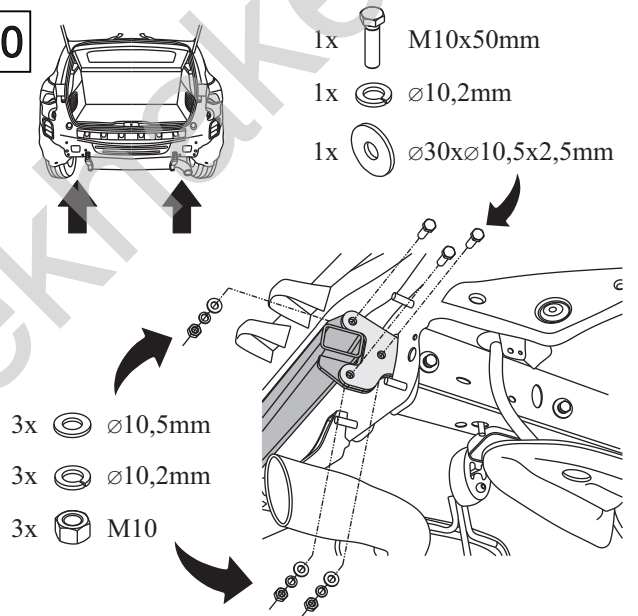
08



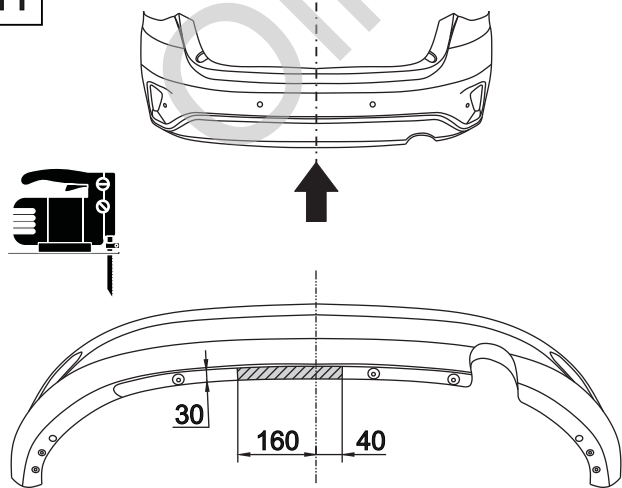
09



10



11



12

