

PPUH AUTO-HAK Sp.J.

Henryk i Zbigniew Nejman
ul. Słoneczna 16K 76-200 SŁUPSK
POLAND

tel/fax +48 59 8 414 414; +48 59 8 414 413

e-mail: office@autohak.com.pl

www.autohak.com.pl



AUTO-HAK

FORD FOCUS 5D (Mk4), ~~ST~~

Cat. no:

C67A



04.2018 →



E20-55R-01 5633



1,5h

D

10,0 kN



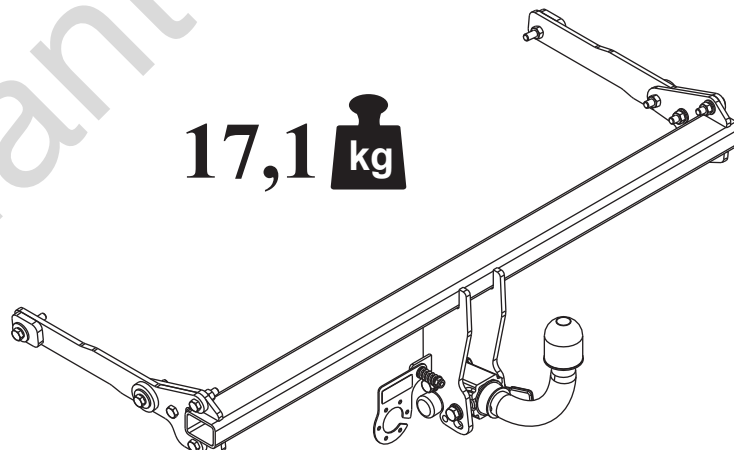
R=2100 kg



S=100 kg



17,1  kg



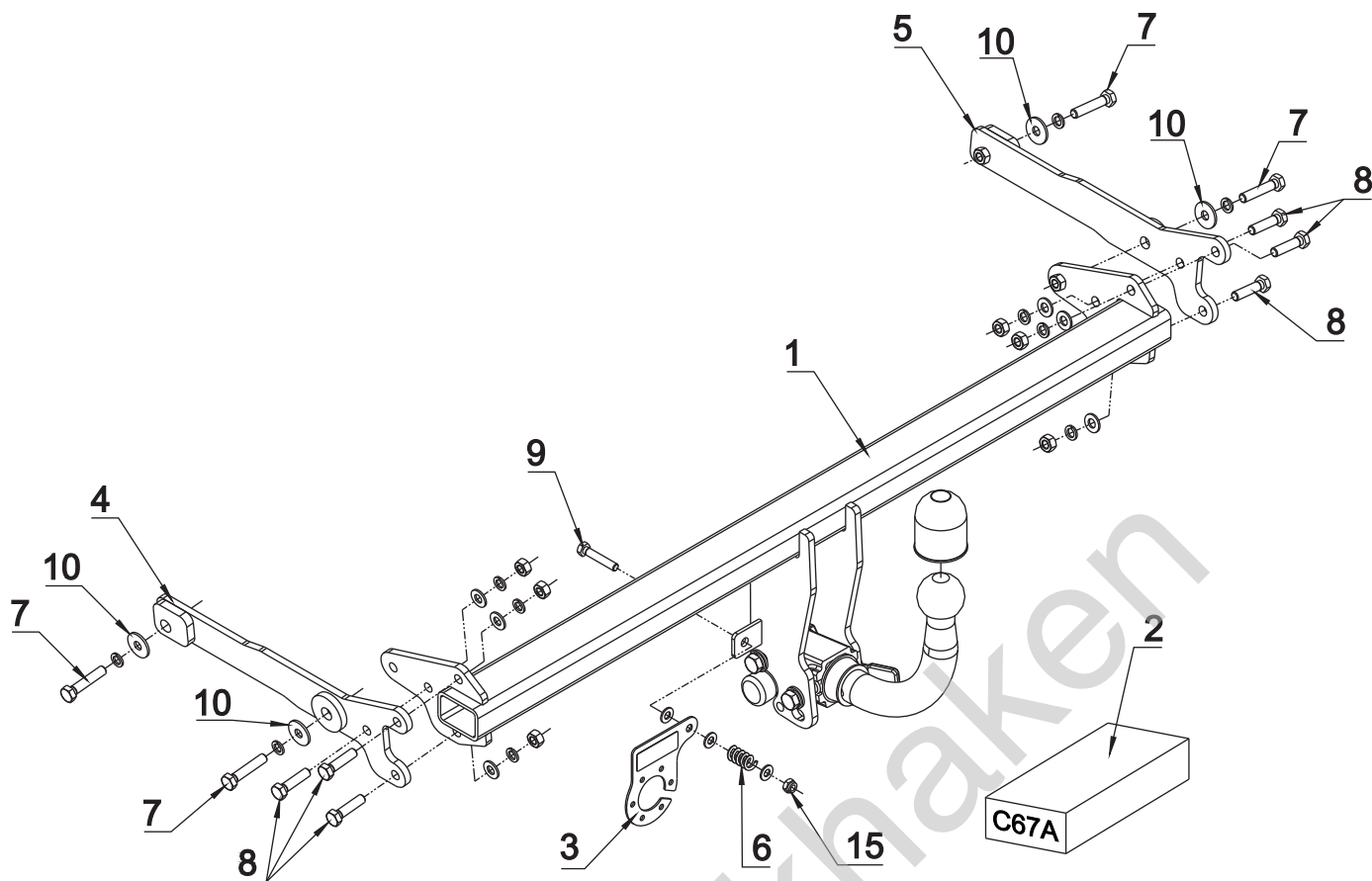
śruba	Nm	M6	M8	M10	M12	M14	M16
klasa 8.8		9,9	24	48	83	132	200
klasa 10.9		14	34	67	117	185	285

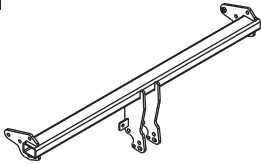

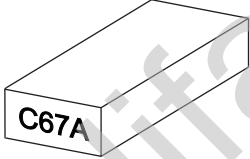



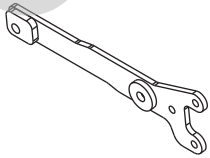

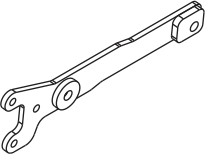



0 km →

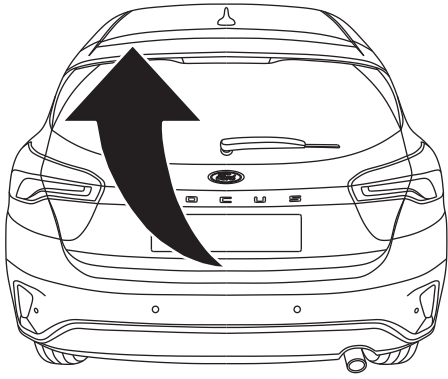


1000 km

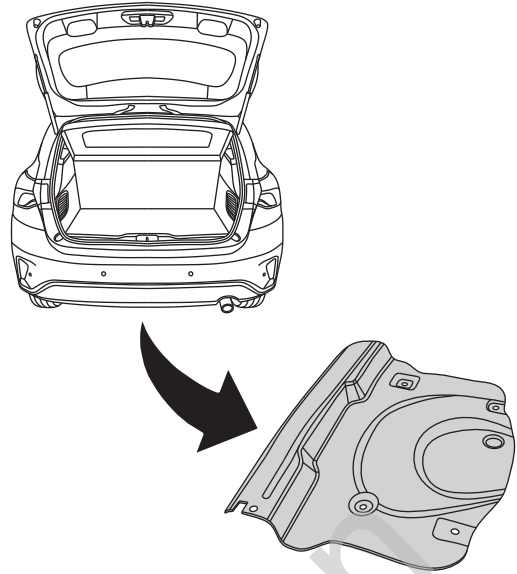


	x 1		7	M10x50	x 4
			8	M10x40	x 6
			9	M8x45	x 1
			10	ϕ 30x ϕ 10.5x2.5 10 (DIN 9021)	x 4
	x 1		11	ϕ 10.5	x 6
			12	ϕ 8.4	x 3
			13	ϕ 10.2	x 10
	x 1		14	M10	x 6
	x 1			15	M 8 (DIN985)
	x 1				
	x 1				

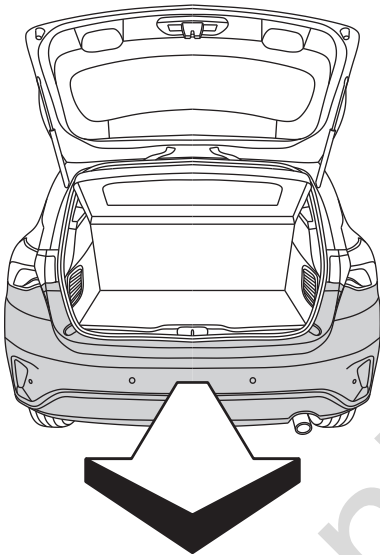
01



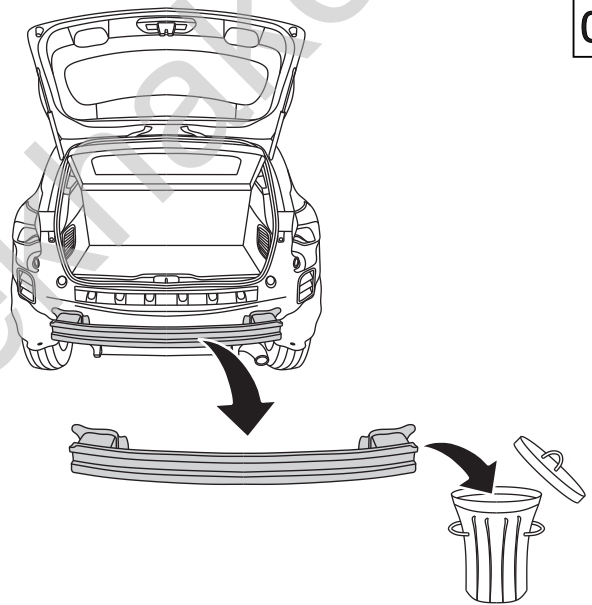
02



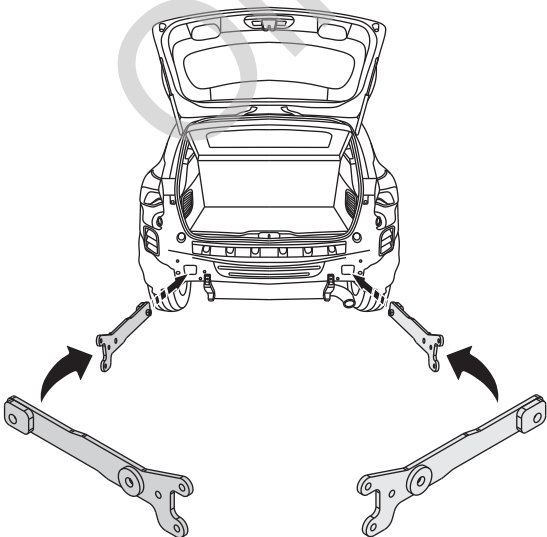
03



04



05



06

