

Ford Focus III (Kombi), (+ECONetic),
~~(ST-Line), (ST)~~

(04/2011 - →)

F-240

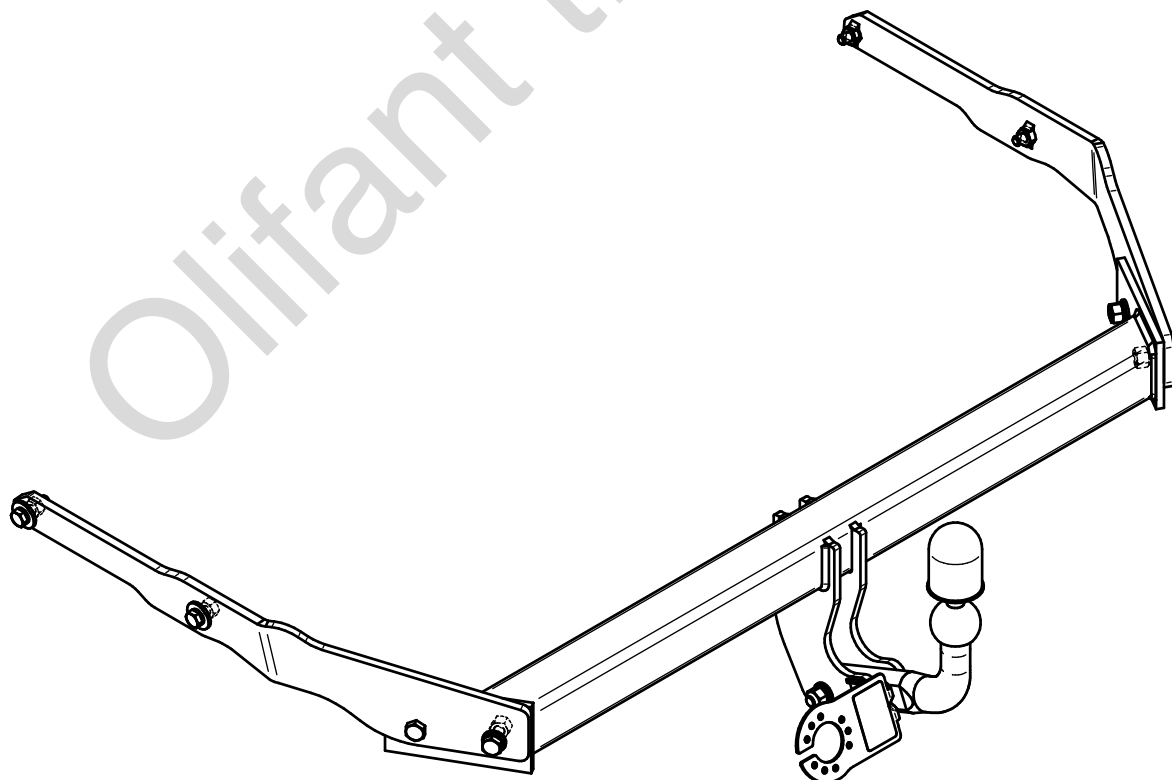
- PL** Zaczep Kulowy Instrukcja montażu i eksploatacji
- GB** Tow bar Installation and operating instructions
- D** Die Anhängerkupplung Montage- und Gebrauchsanleitung
- ES** Gancho de remolque Las instrucciones de instalación y de operación
- RU** Фаркоп Инструкция по установке и эксплуатации ТСУ
- FR** Attelage Notice de montage et d'utilisation
- IT** Gancio traino Istruzioni di montaggio
- CZ** Tažné zařízení Návod na montáž a použití
- RO** Cârlig de remorcare Instrucția de montaj și exploatare
- SE** Dragkulan Monterings- och bruksanvisningar.



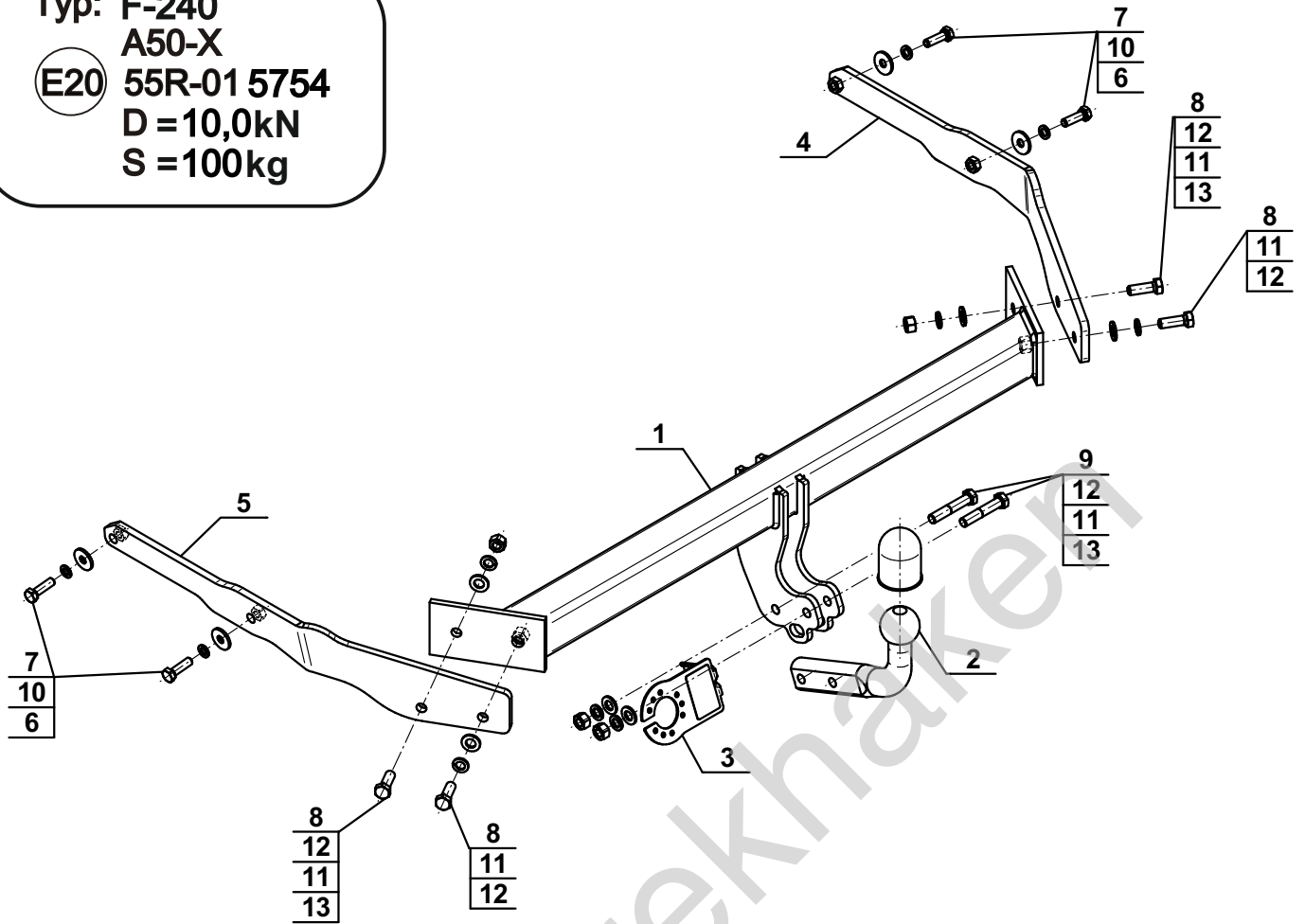
YES NO



YES NO



Typ: F-240
 A50-X
 (E20) 55R-01 5754
 D = 10,0kN
 S = 100kg

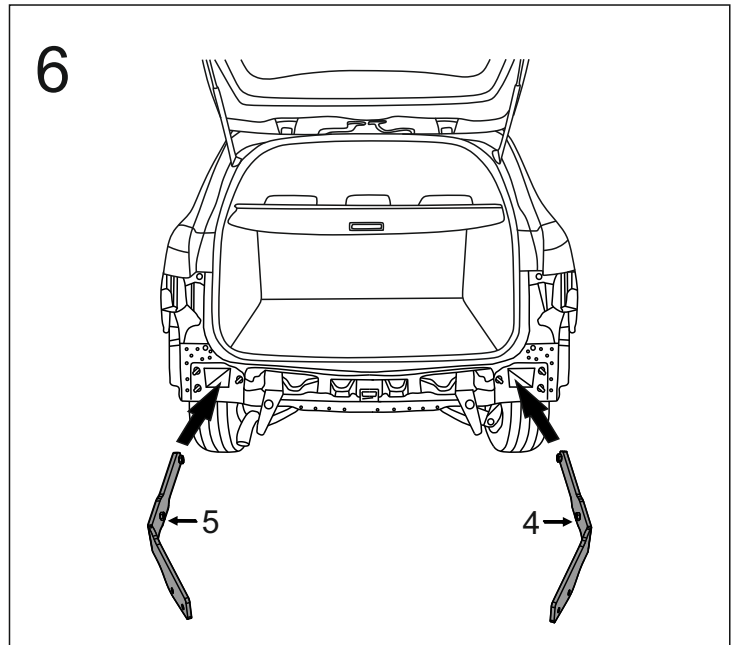
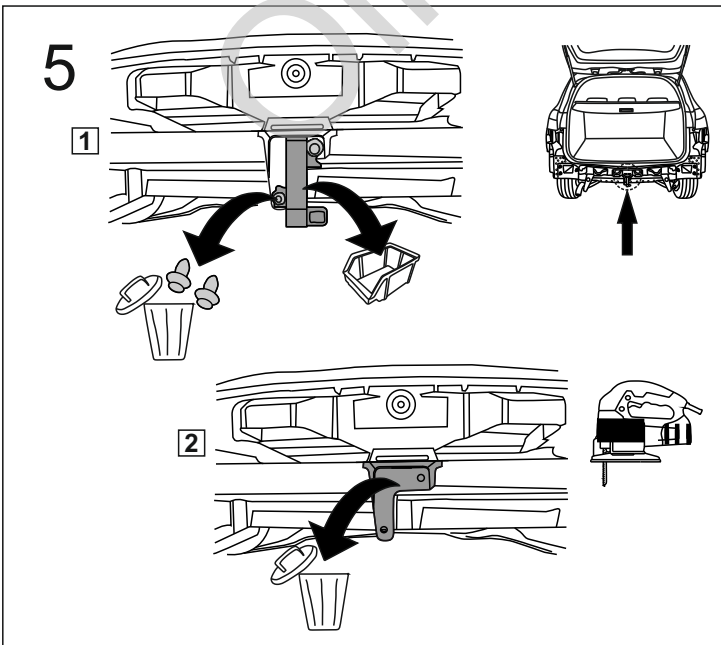
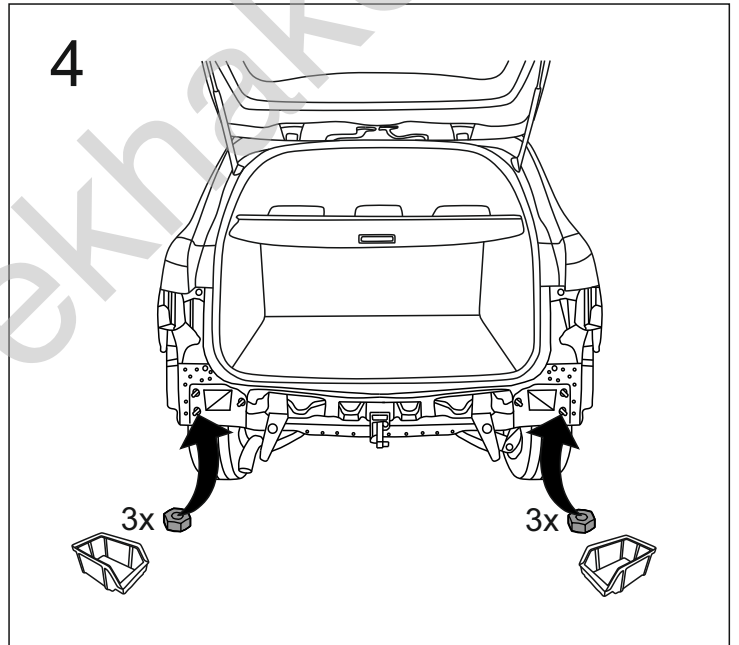
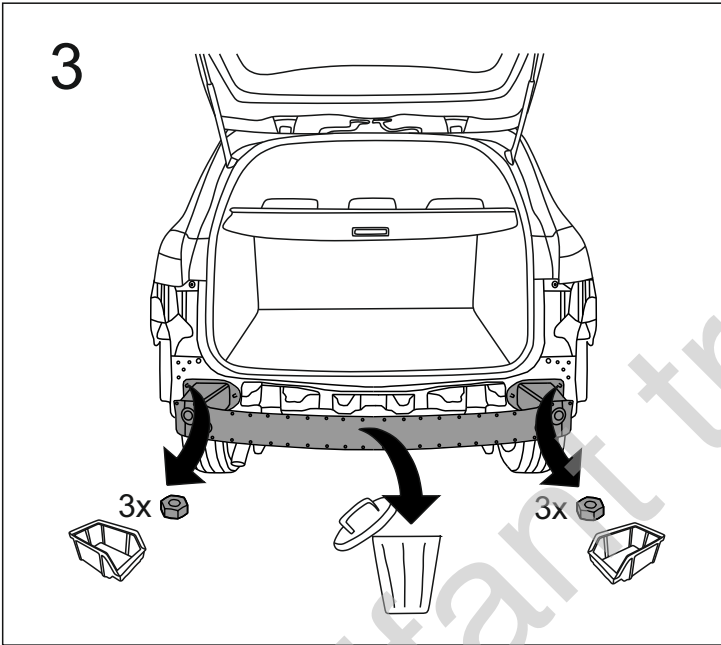
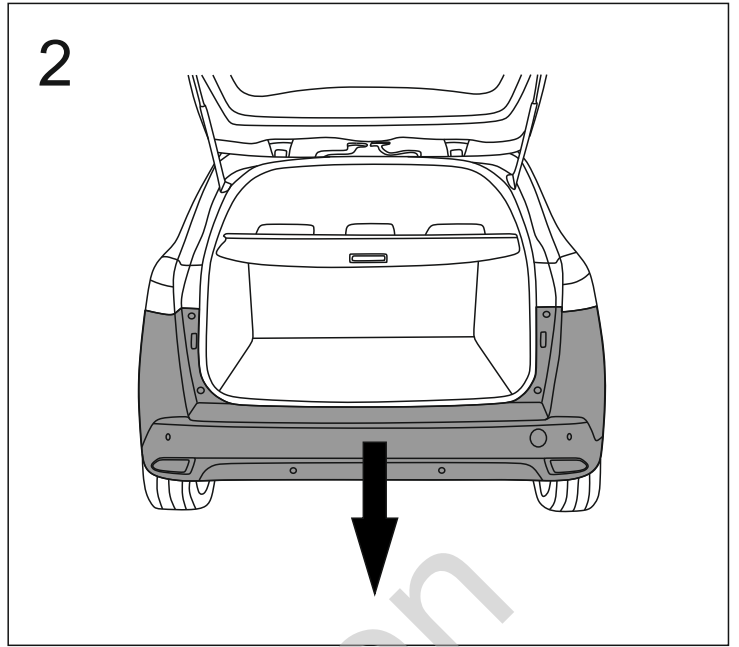
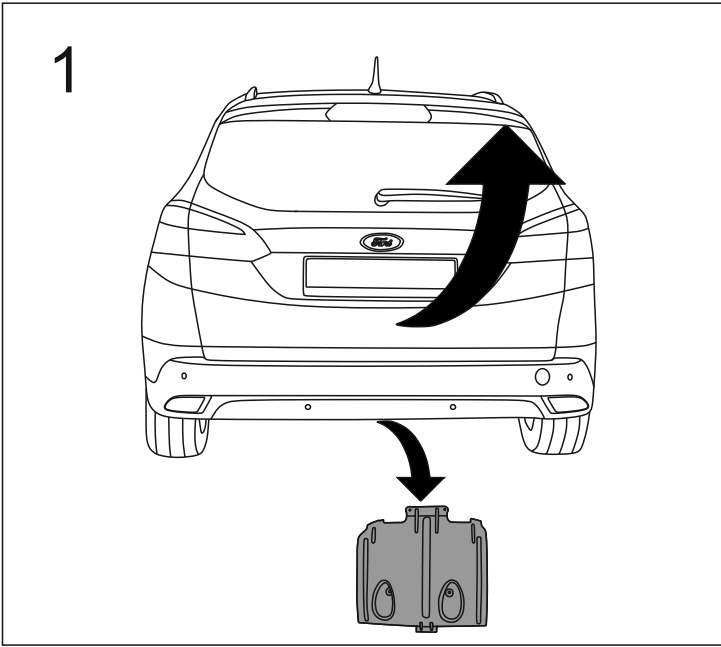


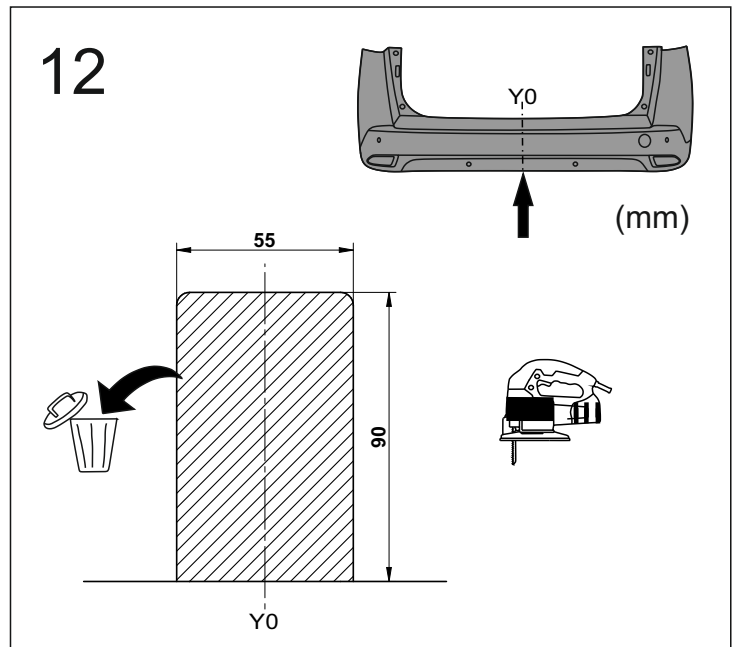
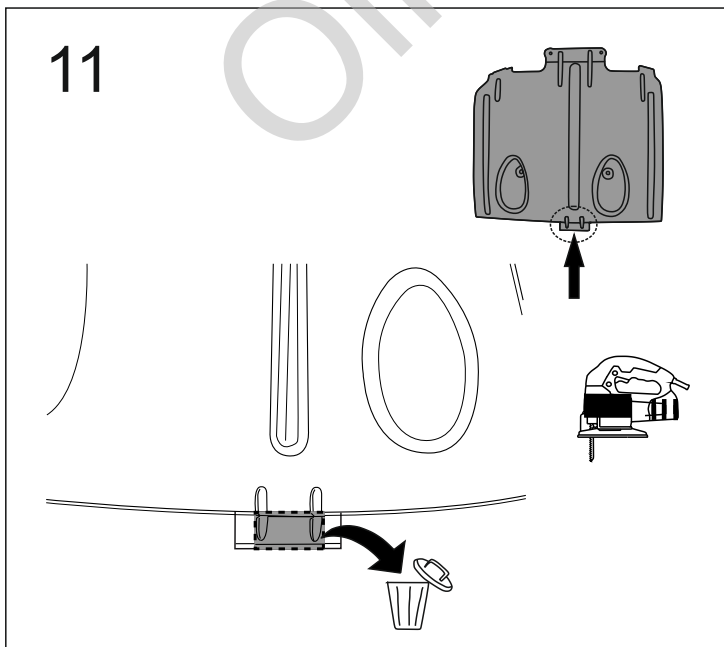
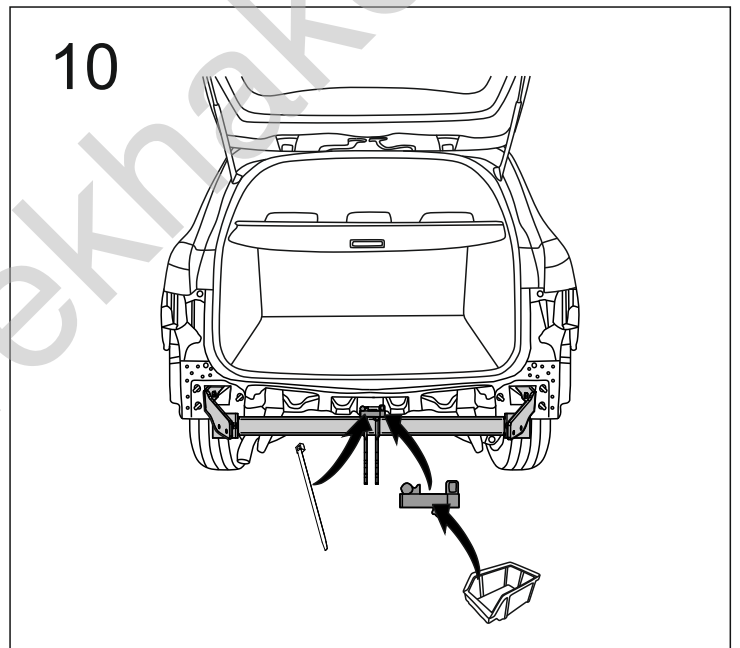
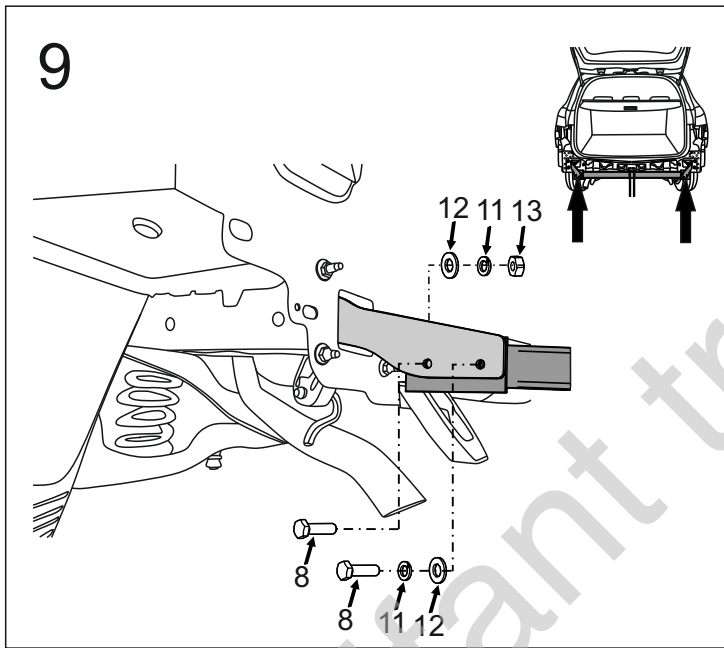
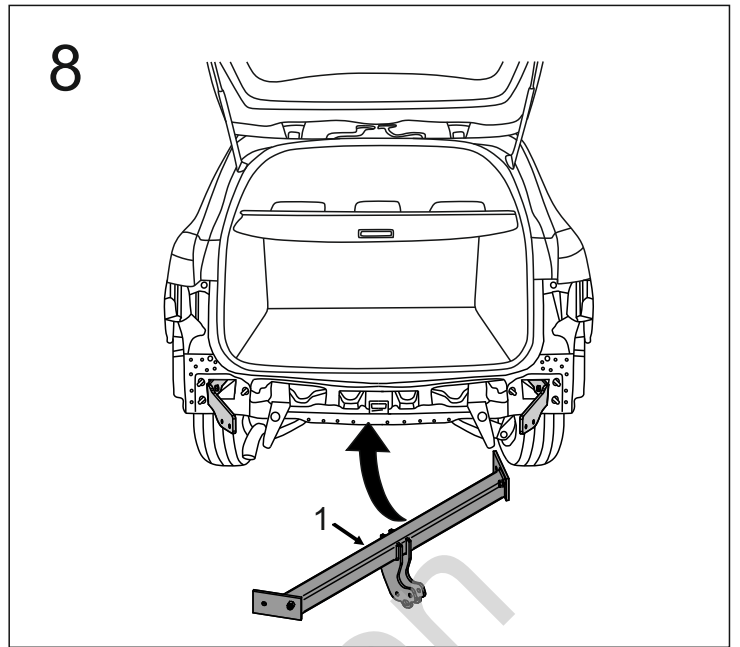
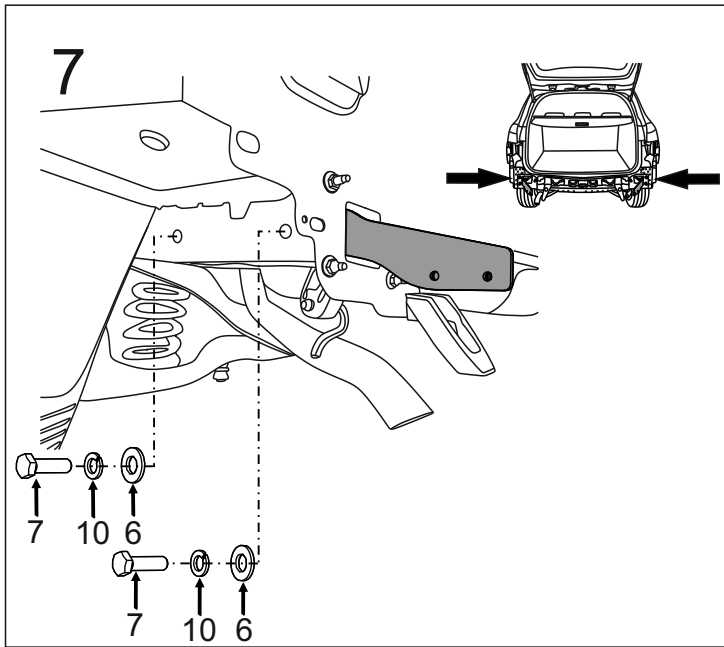
| | | |
|---|--|----|
| 1 | | x1 |
| 2 | | x1 |
| 3 | | x1 |
| 4 | | x1 |
| 5 | | x1 |

| | | | |
|----|--|---------------------------|----|
| 6 | | Ø30/Ø10,5x3 | x4 |
| 7 | | M10x35 (PN/M-82105) (8.8) | x4 |
| 8 | | M12x35 (PN/M-82105) (8.8) | x4 |
| 9 | | M12x65 (PN/M-82101) (8.8) | x2 |
| 10 | | Ø10,2 | x4 |
| 11 | | Ø12,2 | x6 |
| 12 | | Ø13,0 | x6 |
| 13 | | M12 (8) | x4 |

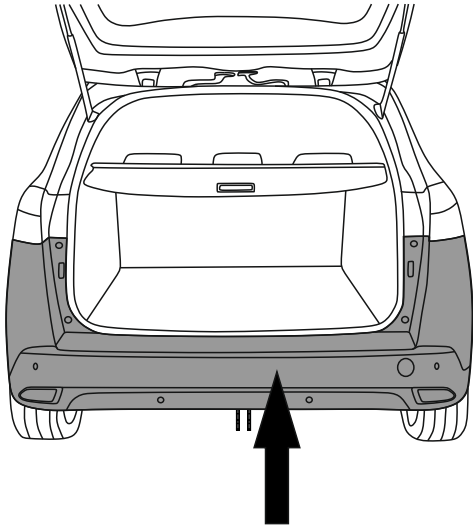


| 8.8 | |
|---------------|----------------|
| M6 - 10 (Nm) | M12 - 85 (Nm) |
| M8 - 25 (Nm) | M14 - 135 (Nm) |
| M10 - 50 (Nm) | M16 - 200 (Nm) |

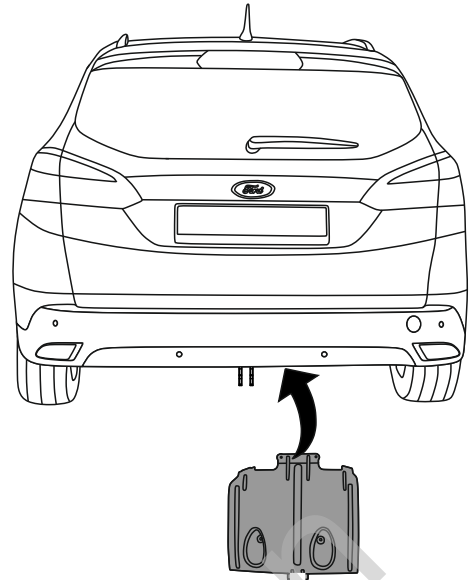




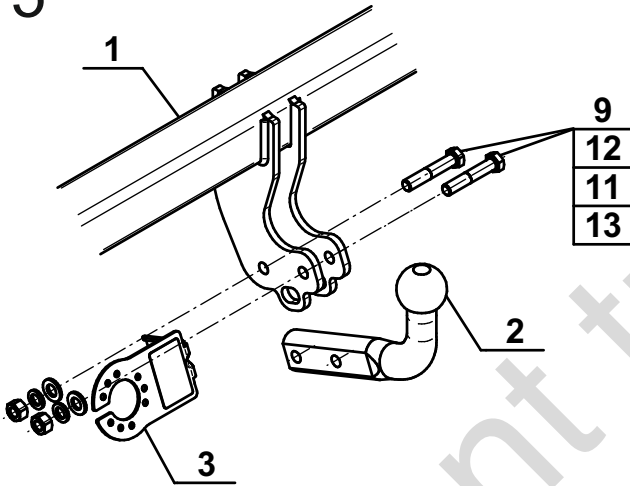
13



14



15



Olifant trekhaken