

PPUH AUTO-HAK Sp.J.

Henryk i Zbigniew Nejman
ul. Słoneczna 16K 76-200 SŁUPSK
POLAND

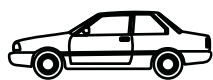
tel/fax +48 59 8 414 414; +48 59 8 414 413

e-mail: office@autohak.com.pl

www.autohak.com.pl



AUTO-HAK



FORD FOCUS III 5D (Mk3), ~~ST~~

Cat. no:

C56



03.2011 → 02.2014

03.2014 → 12.2017



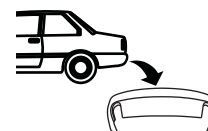
E20-55R-01 2972



2h

D

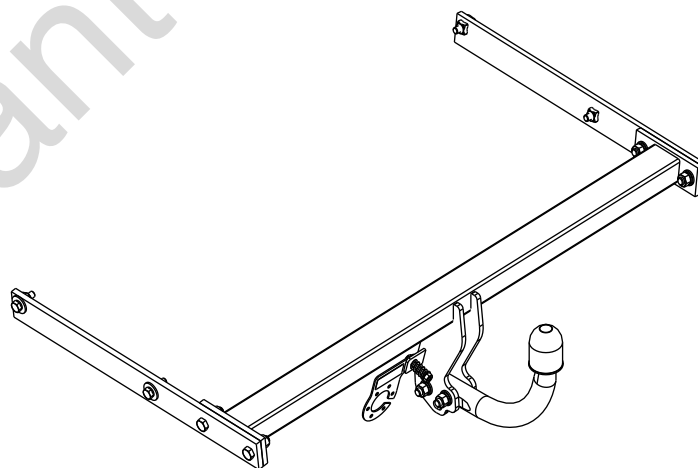
10,0 kN



R=1500 kg



S=75 kg



M6 - 11 Nm
M10 - 50 Nm
M14 - 138 Nm

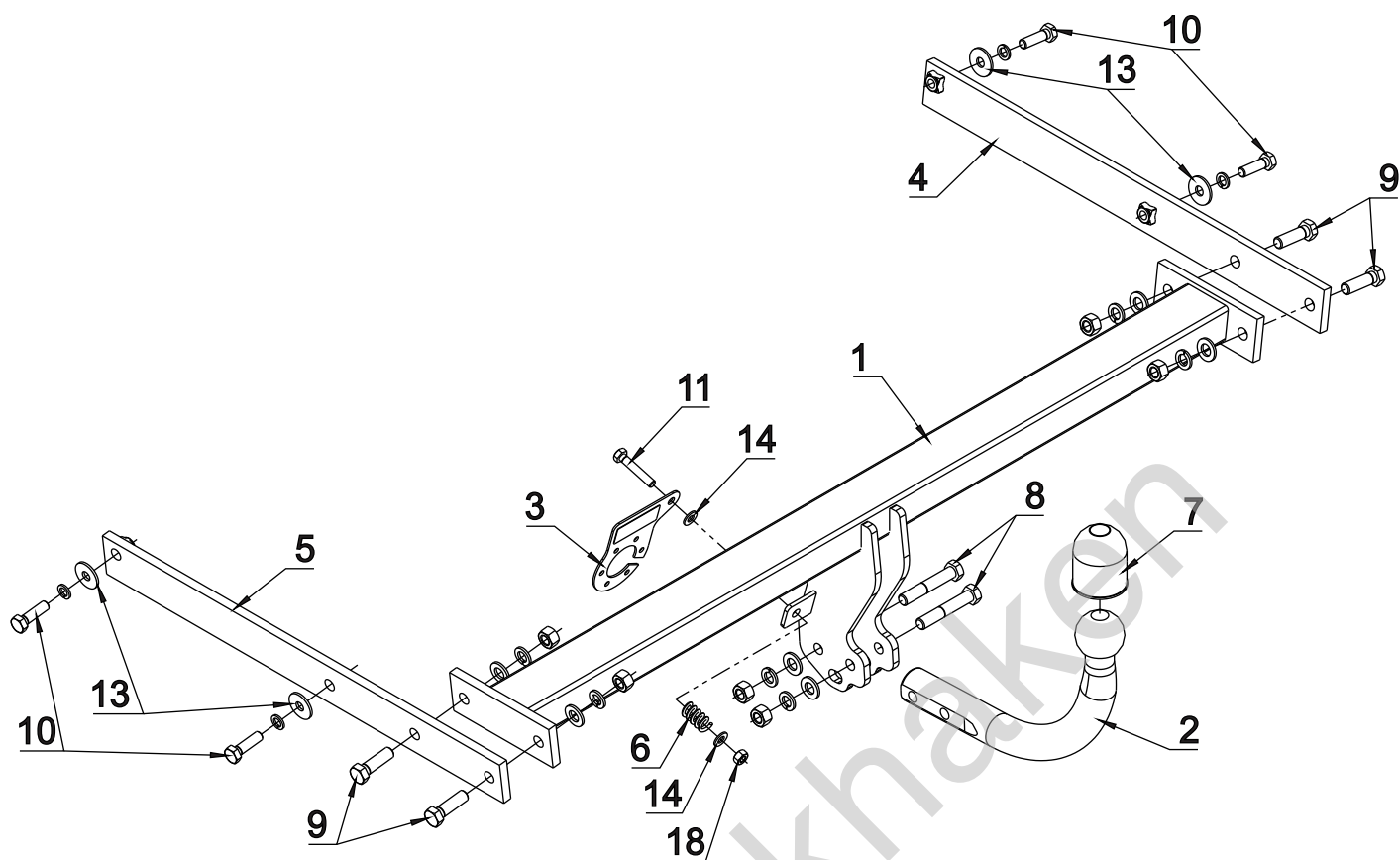
M8 - 25 Nm
M12 - 87 Nm
M16 - 210 Nm



0 km →



1000 km

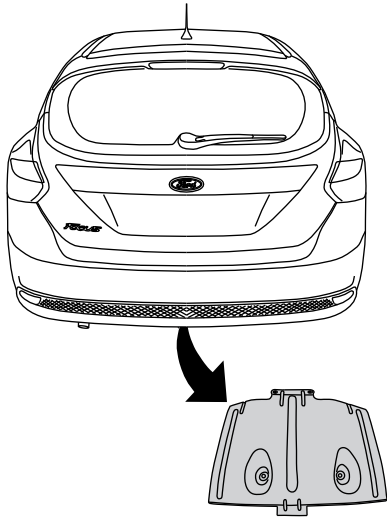


1		x1		8	M12x70	x2
				9	M12x40	x4
2		x1		10	M10x35	x4
				11	M8x45	x1
3		x1		12	∅ 13	x6
				13	∅ 30x∅10.5x2.5 10 (DIN 9021)	x4
4		x1		14	∅ 8	x2
				15	∅ 12.2	x6
5		x1		16	∅ 10.2	x4
				17	M12	x6
6		x1		18	M8	x1
				18	M8	x1
7		x1				

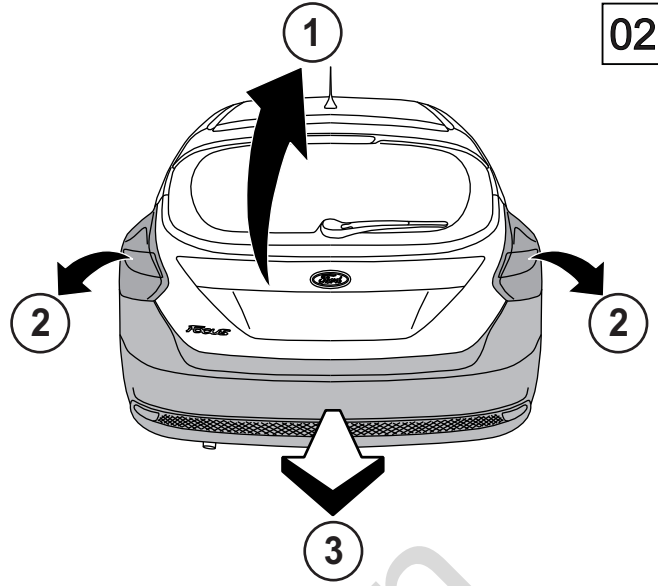


03.2011 → 02.2014

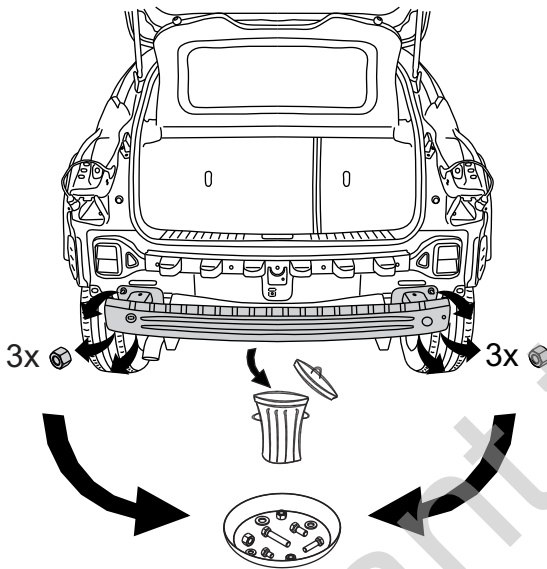
01



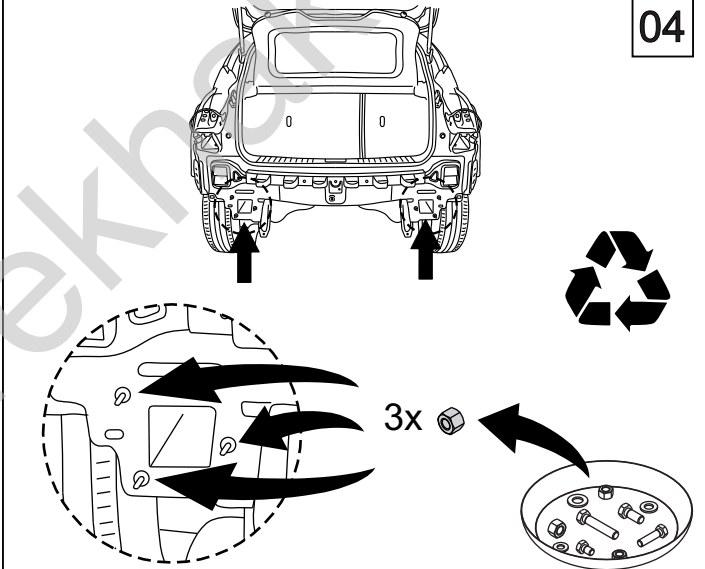
02



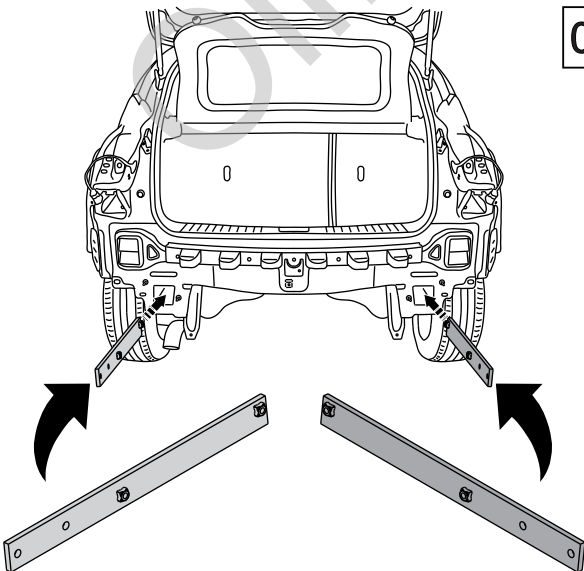
03



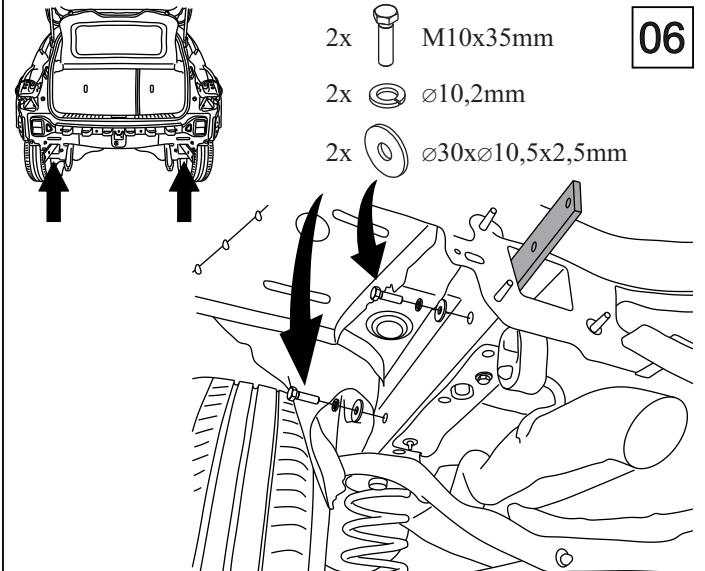
04

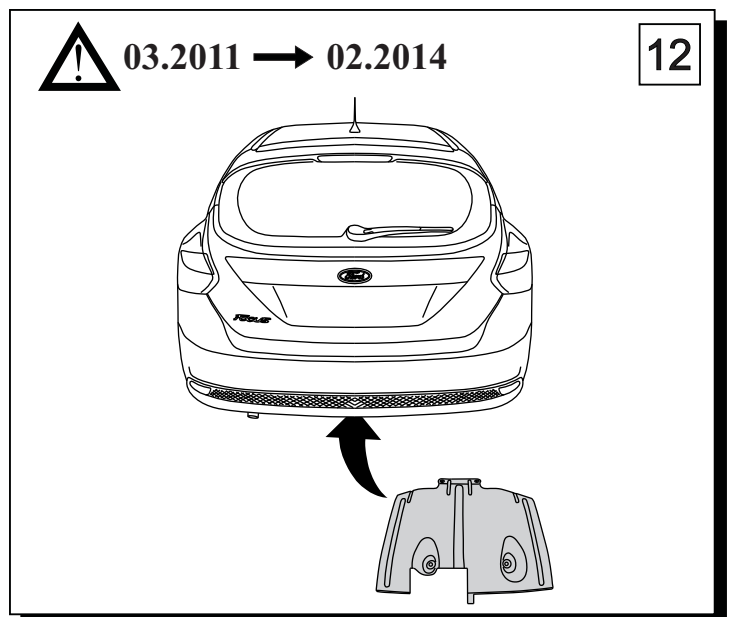
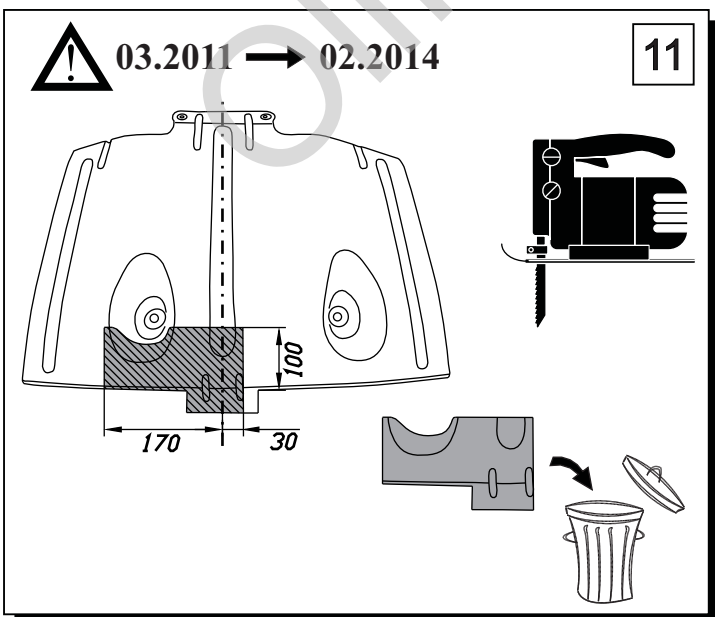
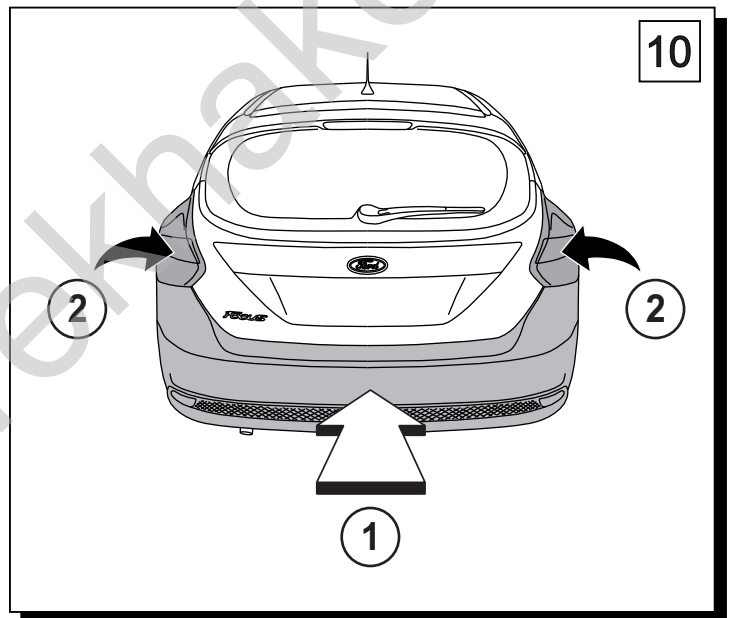
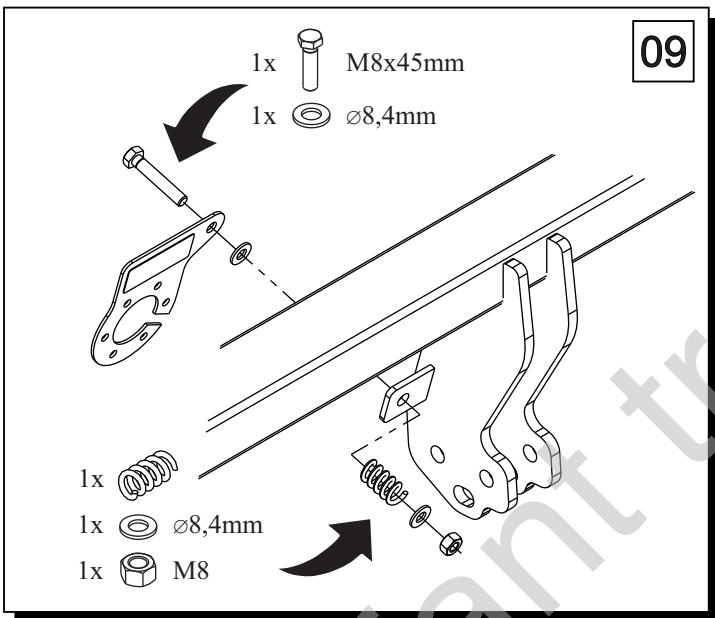
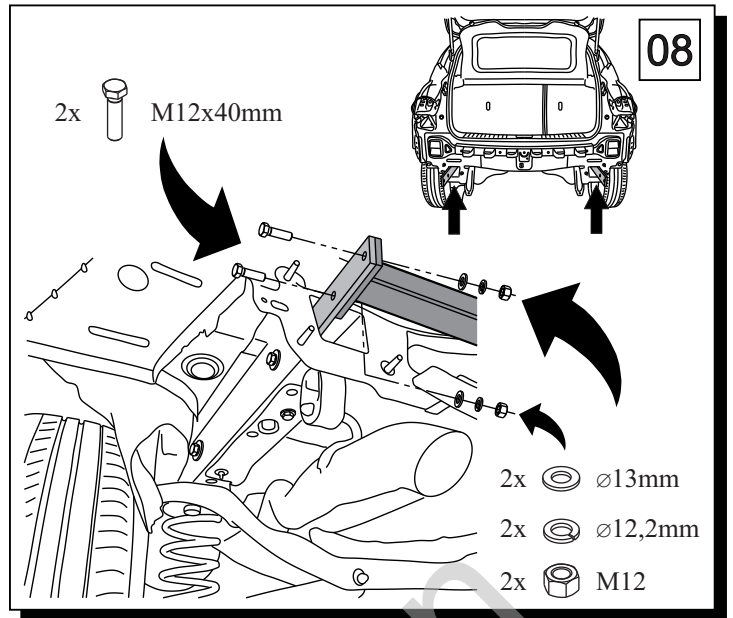
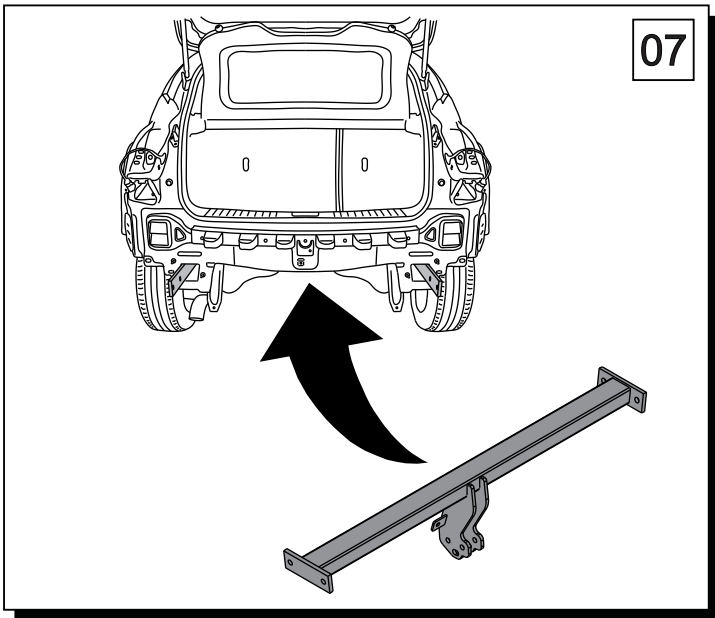


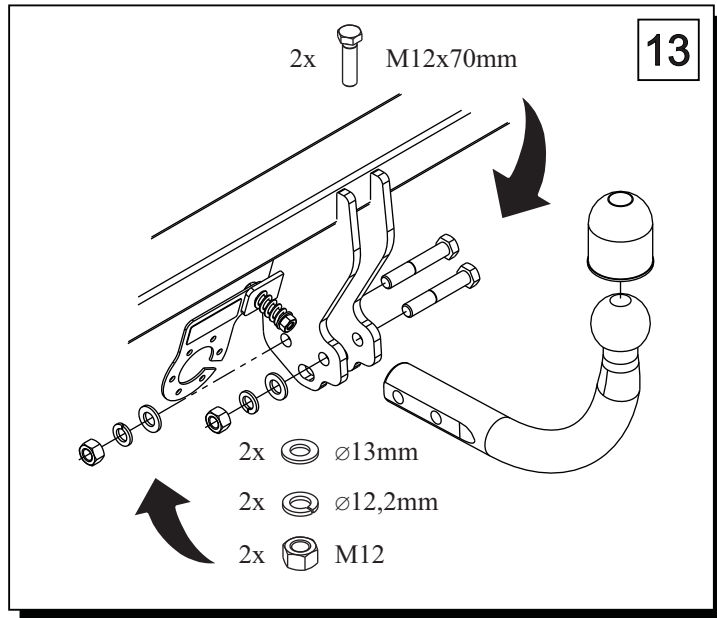

05





06





M6	-	11 Nm	M8	-	25 Nm
M10	-	50 Nm	M12	-	87 Nm
M14	-	138 Nm	M16	-	210 Nm

 **0 km** \rightarrow  **1000 km**

Olifant trekkor