

Ford Focus III (5D) ~~(ST)~~

(05/2011 - →)

F-249

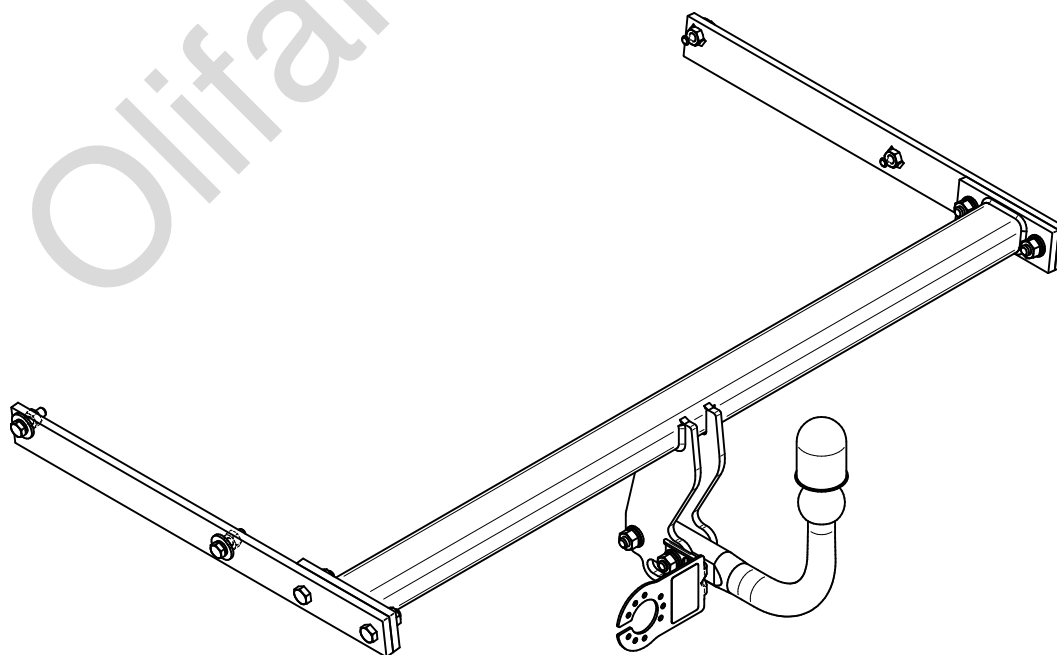
- PL** **Zaczep Kulowy** Instrukcja montażu i eksploatacji
- GB** **Tow bar** Installation and operating instructions
- D** **Die Anhängerkupplung** Montage- und Gebrauchsanleitung
- ES** **Gancho de remolque** Las instrucciones de instalación y de operación
- RU** **Фаркоп** Инструкция по установке и эксплуатации ТСУ
- FR** **Attelage** Notice de montage et d'utilisation
- IT** **Gancio traino** Istruzioni di montaggio
- CZ** **Tažné zařízení** Návod na montáž a použití
- RO** **Cârlig de remorcare** Instrucția de montaj și exploatare
- SE** **Dragkulan** Monterings- och bruksanvisningar.



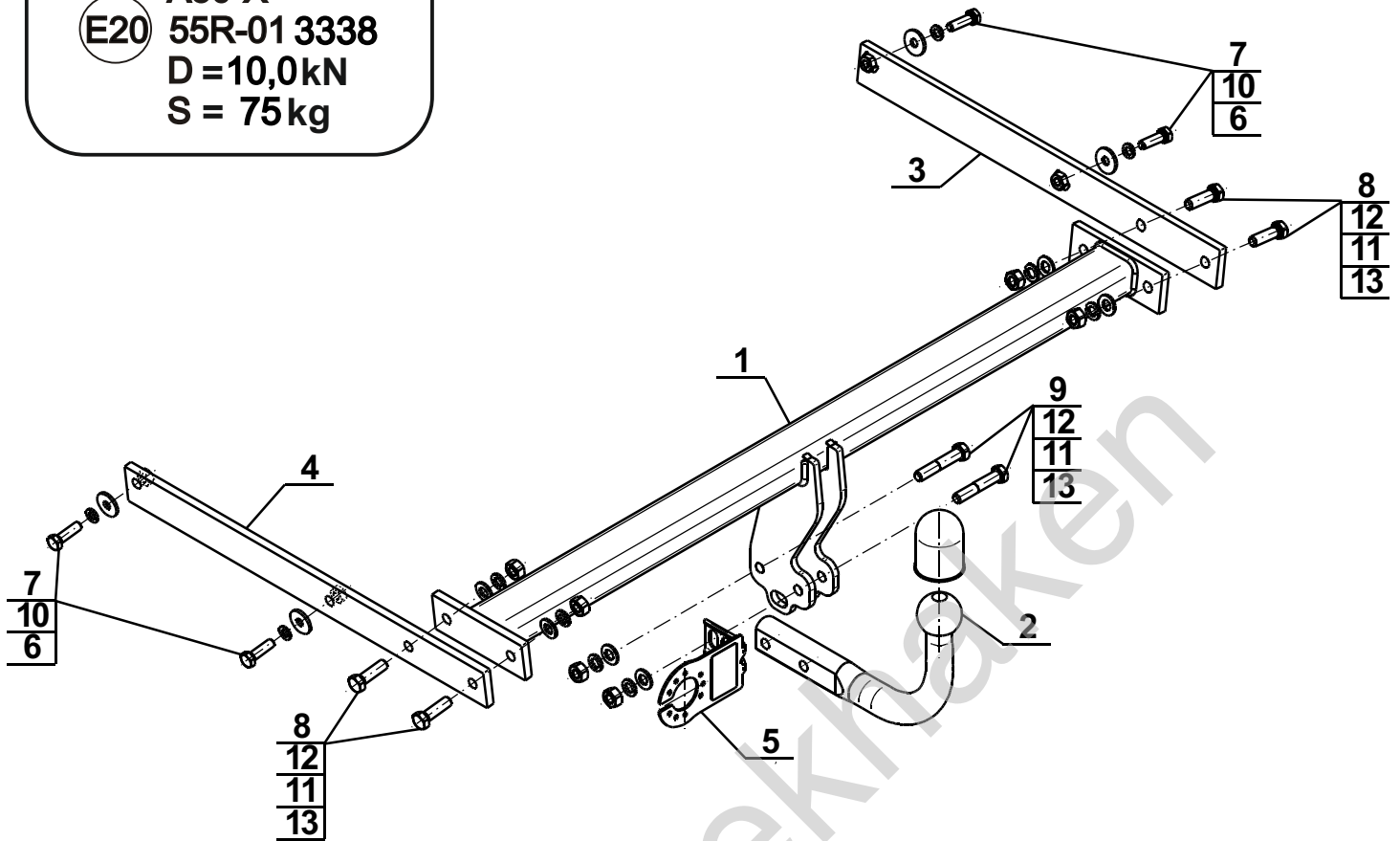
| | |
|-------------------------------------|--------------------------|
| YES | NO |
| <input checked="" type="checkbox"/> | <input type="checkbox"/> |



| | |
|--------------------------|-------------------------------------|
| YES | NO |
| <input type="checkbox"/> | <input checked="" type="checkbox"/> |



Typ: F-249
 A50-X
 E20 55R-01 3338
 D = 10,0kN
 S = 75 kg



| | | |
|---|--|----|
| 1 | | x1 |
| 2 | | x1 |
| 3 | | x1 |
| 4 | | x1 |

| | | |
|----|---------------------------|----|
| 5 | | x1 |
| 6 | Ø30/Ø10,5x3 | x4 |
| 7 | M10x35 (PN/M-82105) (8.8) | x4 |
| 8 | M12x40 (PN/M-82105) (8.8) | x4 |
| 9 | M12x65 (PN/M-82101) (8.8) | x2 |
| 10 | Ø10,2 | x4 |
| 11 | Ø12,2 | x6 |
| 12 | Ø13,0 | x6 |
| 13 | M12 (8) | x6 |



| 8.8 | |
|---------------|----------------|
| M6 - 10 (Nm) | M12 - 85 (Nm) |
| M8 - 25 (Nm) | M14 - 135 (Nm) |
| M10 - 50 (Nm) | M16 - 200 (Nm) |

