

# AUTO-HAK Sp. z o.o.

ul. Słoneczna 16K 76-200 SŁUPSK  
POLAND

tel/fax +48 59 8 414 414; +48 59 8 414 413

e-mail: [office@autohak.com.pl](mailto:office@autohak.com.pl)

[www.autohak.com.pl](http://www.autohak.com.pl)



# AUTO-HAK



## FORD FOCUS II TURNIER

KOMBI (Mk2), ~~Sport 2.0T~~

Cat. no:

**C47**



02.2005 → 02.2011



E20-55R-01 4720



**2h**



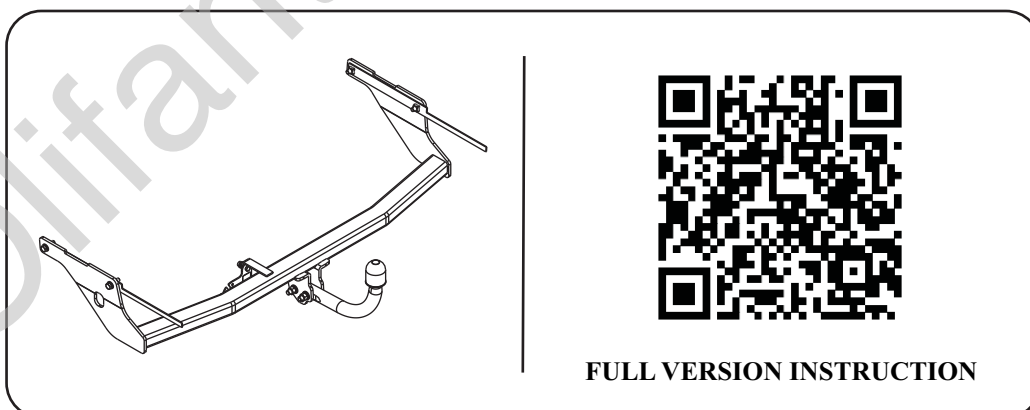
9,18 kN



R=1800 kg



S=75 kg



FULL VERSION INSTRUCTION



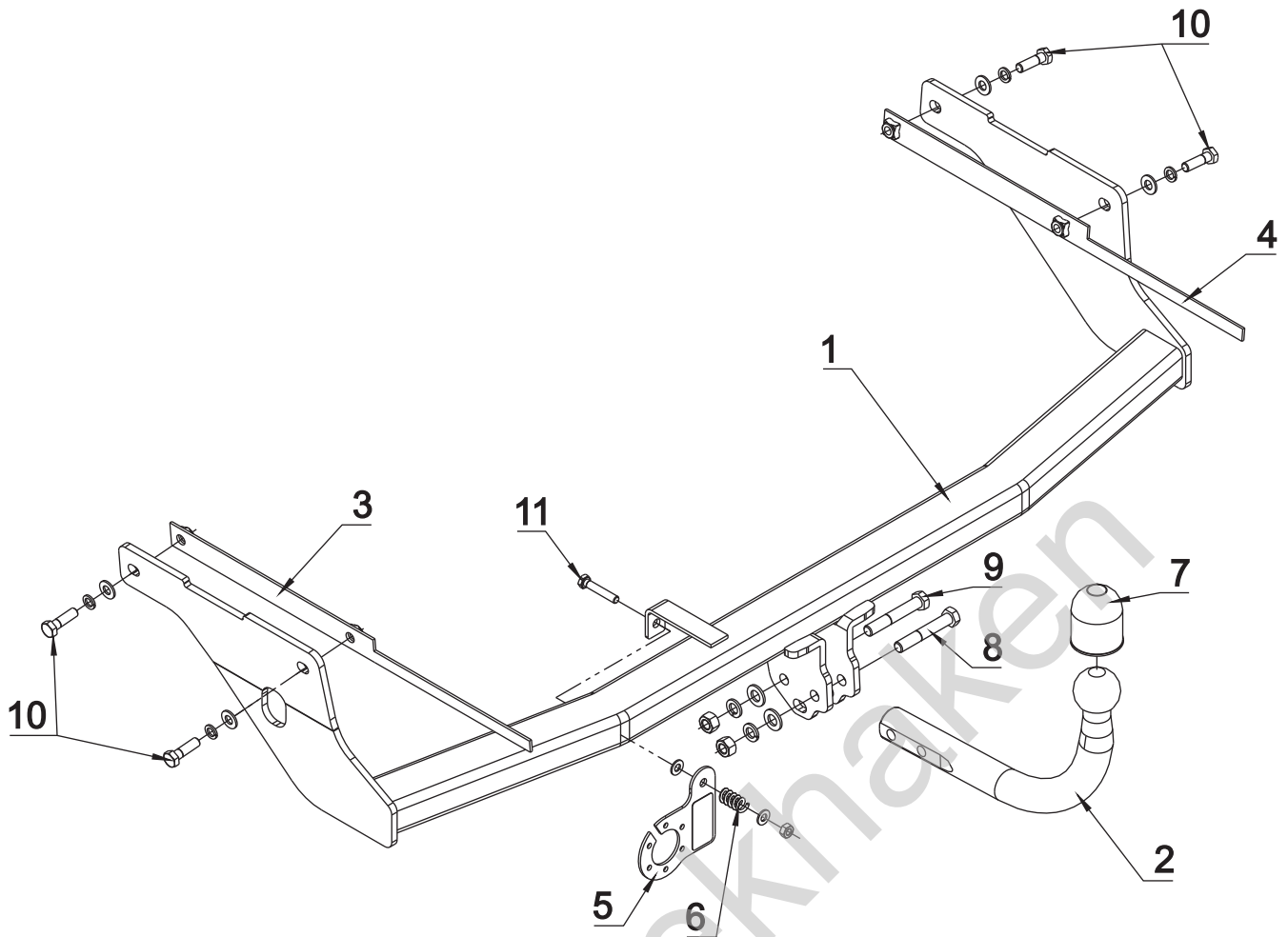
śruba	Nm	M6	M8	M10	M12	M14	M16
klasa 8.8		9,9	24	48	83	132	200
klasa 10.9		14	34	67	117	185	285

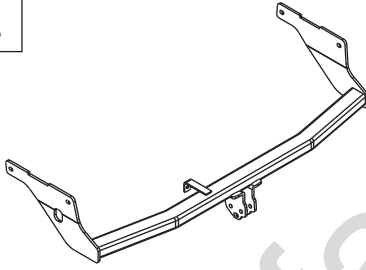

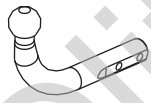

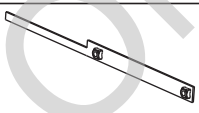

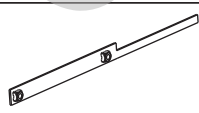

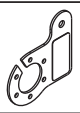

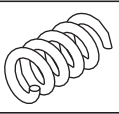



0 km →



1000 km



1		x1		8	M12x75	x1
				9	M12x70	x1
				10	M10x40	x4
				11	M8x45	x1
2		x1		12	∅ 13	x2
				13	∅ 10.5	x4
3		x1		14	∅ 8.5	x2
				15	∅ 12.2	x2
4		x1		16	∅ 10.2	x4
				17	M12	x2
5		x1		18	M8	x1
		Art.nr-KL1C47				
6		x1				
7		x1				

