

AUTO-HAK Sp. z o.o.

ul. Słoneczna 16K 76-200 SŁUPSK
POLAND

tel/fax +48 59 8 414 414; +48 59 8 414 413

e-mail: office@autohak.com.pl

www.autohak.com.pl



AUTO-HAK

FORD ECOSPORT II

Cat. no:

C68A



01.2018 →



E20-55R-01 5799

D

7,0 kN



R=1100 kg



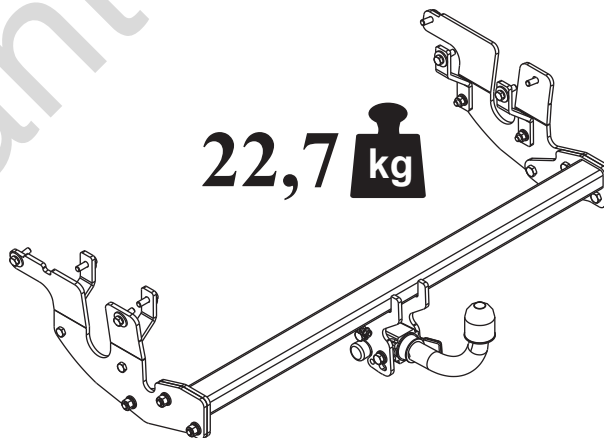
S=80 kg



2h



22,7 kg



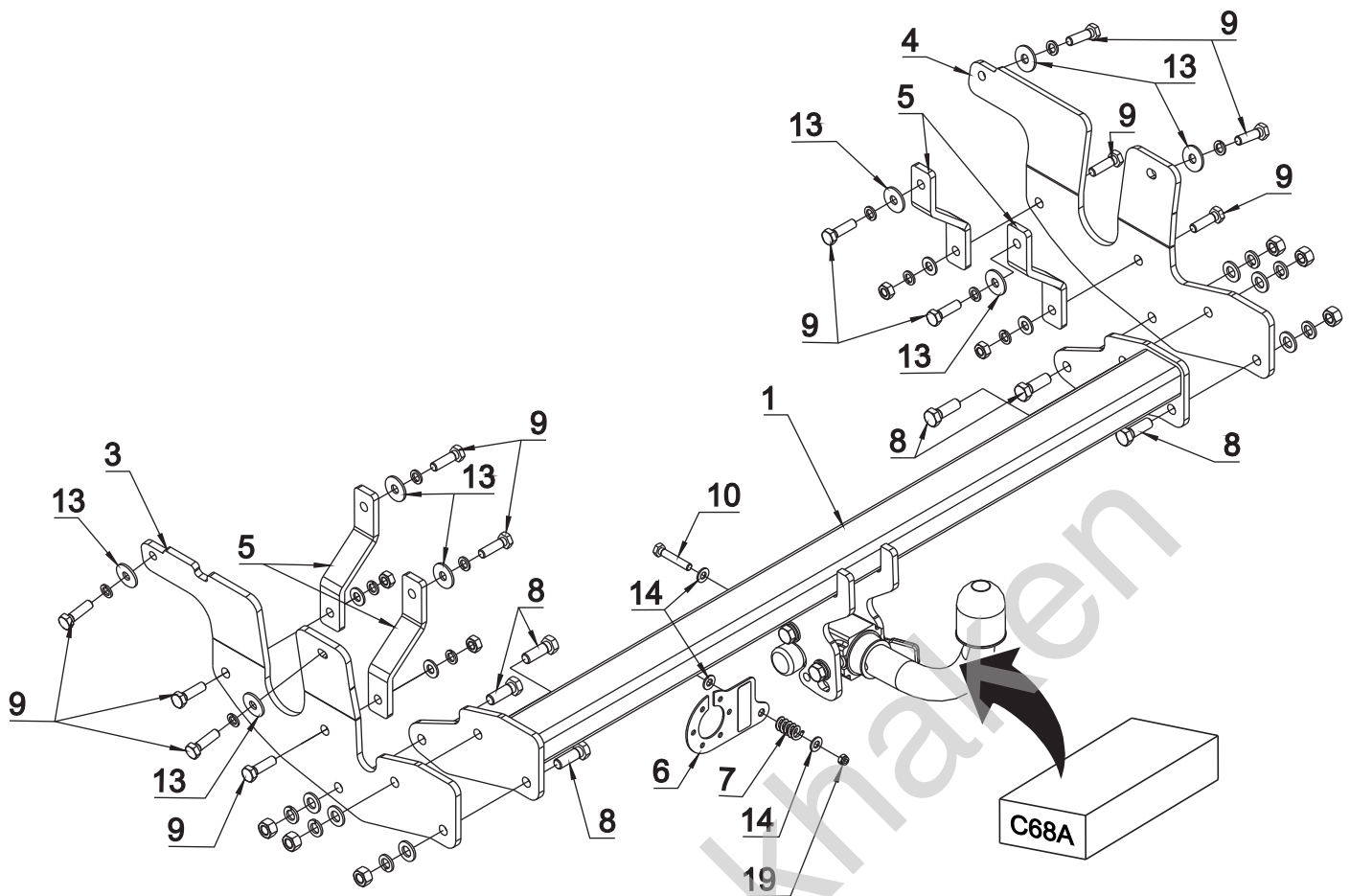
śruba	Nm	M6	M8	M10	M12	M14	M16
klasa 8.8		9,9	24	48	83	132	200
klasa 10.9		14	34	67	117	185	285

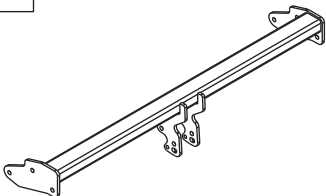


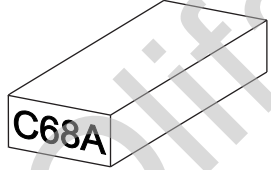

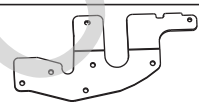
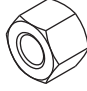
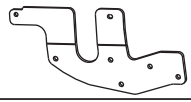

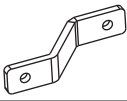
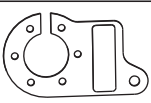
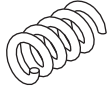


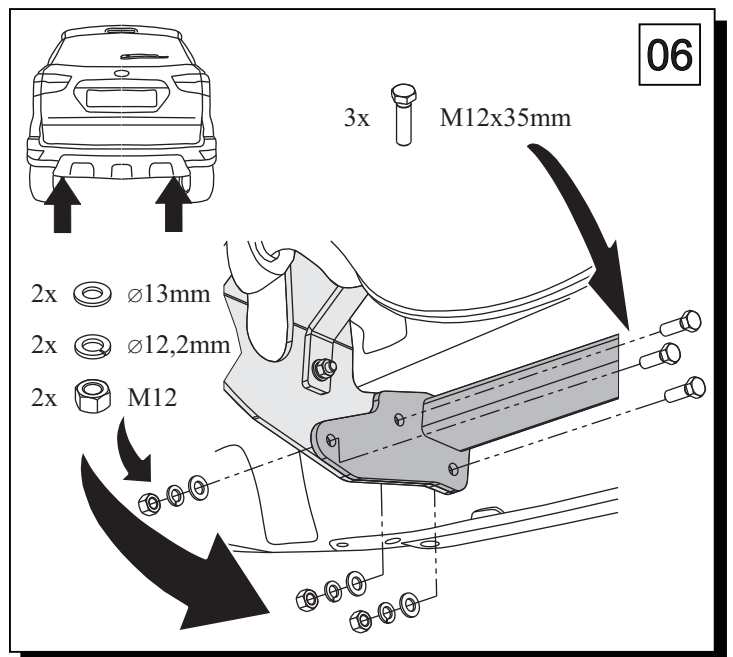
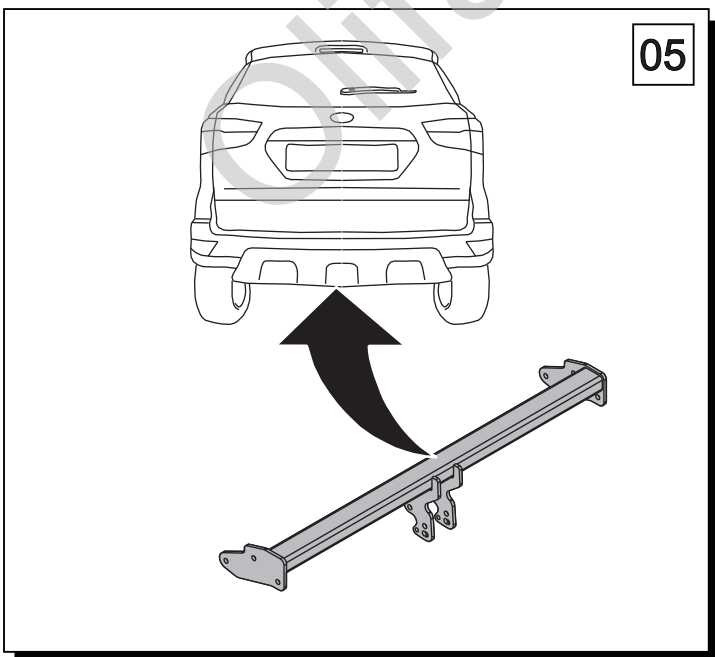
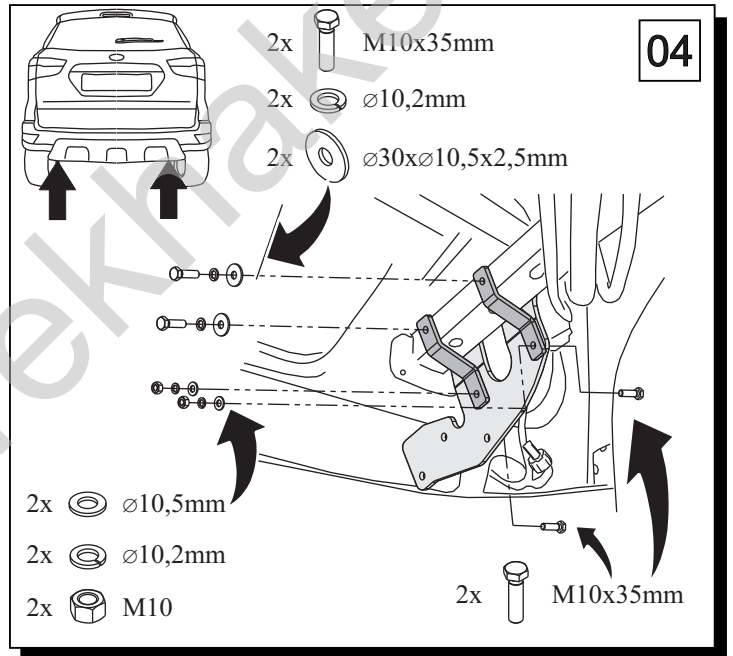
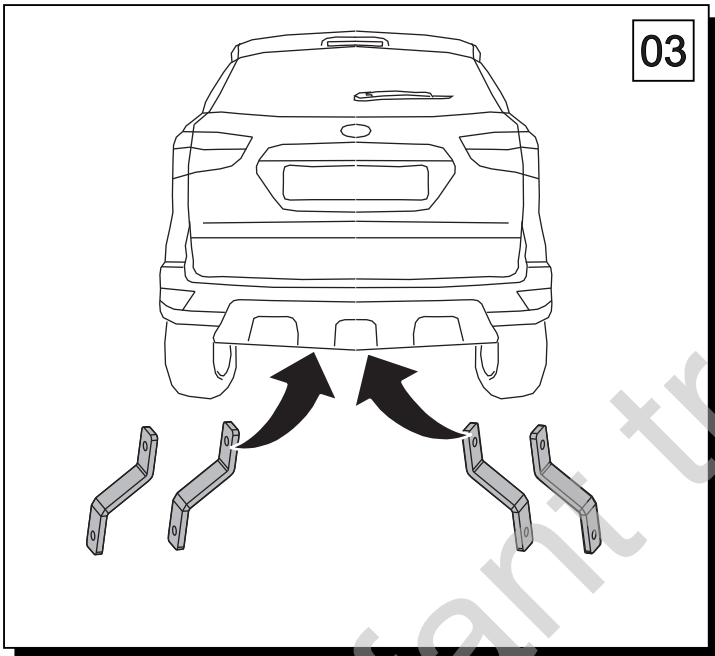
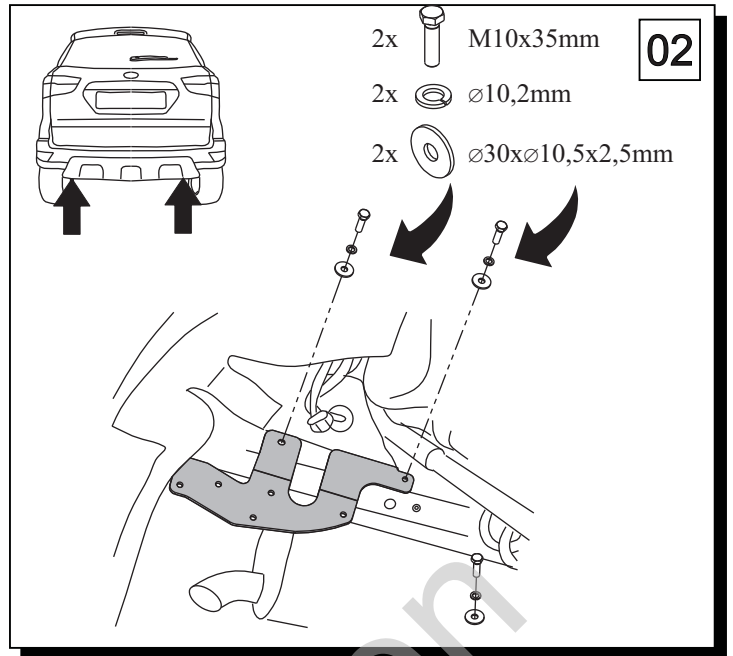
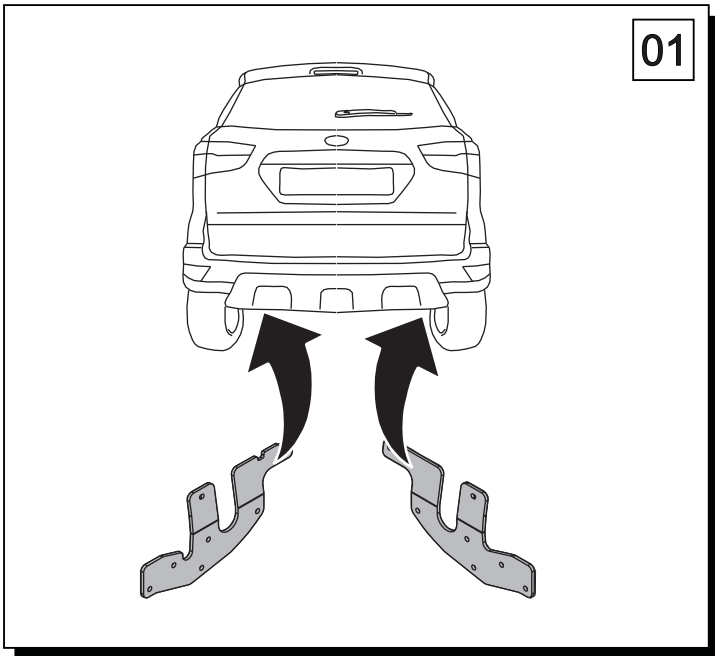
0 km →

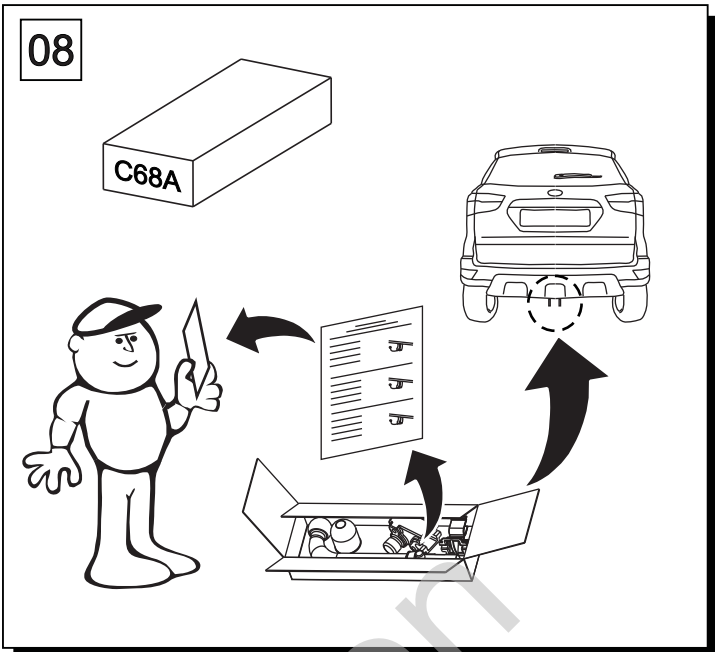
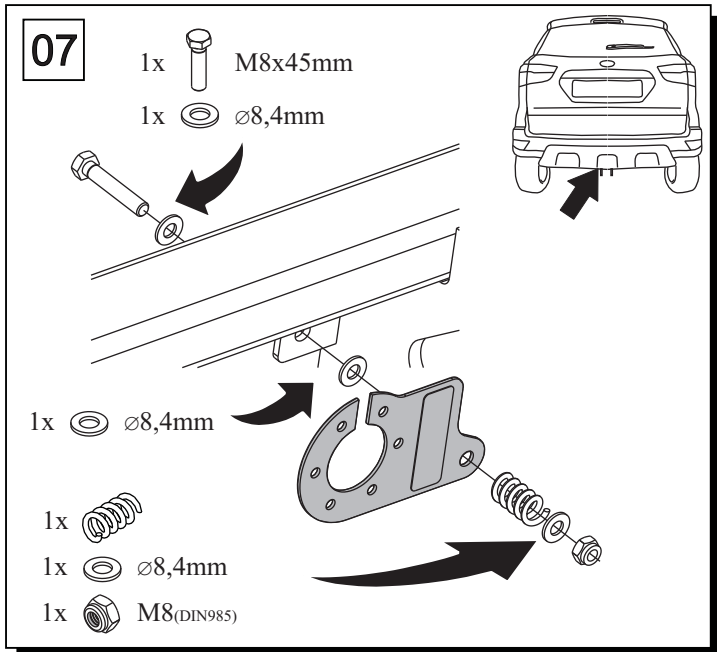


1000 km



1		x1		8	M12x35	x6
				9	M10x35	x12
				10	M8x45	x1
				11	∅ 13	x6
				12	∅ 10.5	x4
2		x1		13	∅ 30x∅10.5x2.5 10 (DIN 9021)	x8
	Art.nr-KL1C68A			14	∅ 8.4	x3
				15	∅ 12.2	x6
3		x1		16	∅ 10.2	x12
				17	M12	x8
4		x1		18	M10	x4
				19	M8 (DIN985)	x1
5		x4				
6		x1				
	Art.nr-BL1C68A					
7		x1				





Olifant trekhakeren