

# PPUH AUTO-HAK Sp.J.

Henryk i Zbigniew Nejman  
ul. Słoneczna 16K 76-200 SŁUPSK  
POLAND















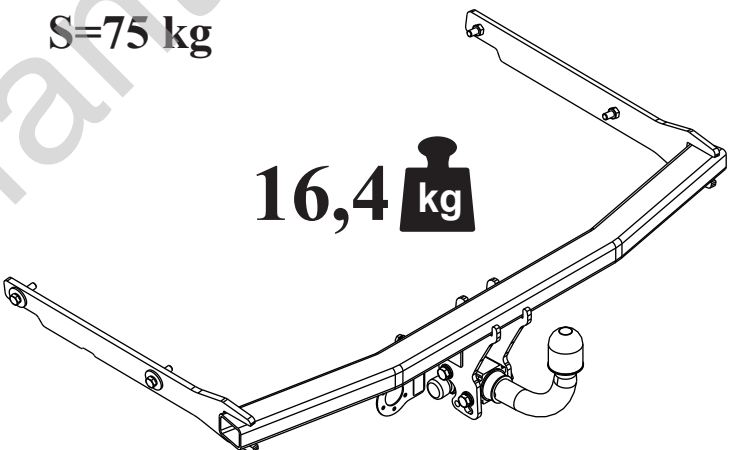



tel/fax +48 59 8 414 414; +48 59 8 414 413

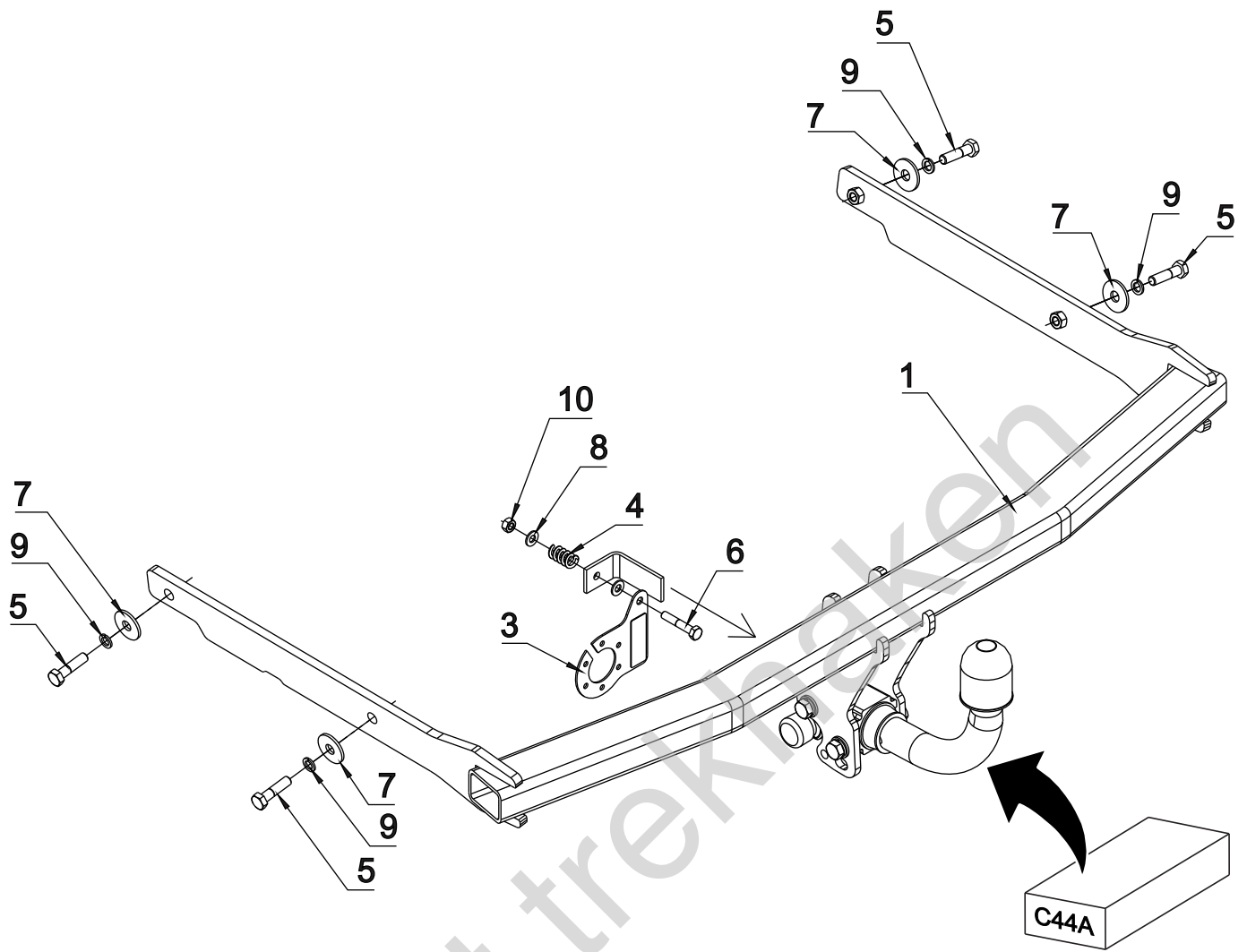
e-mail: [office@autohak.com.pl](mailto:office@autohak.com.pl)

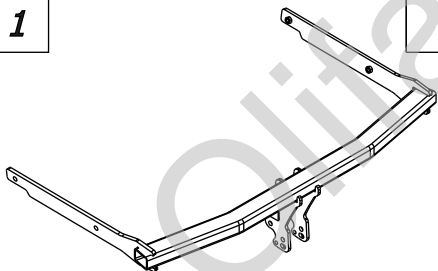

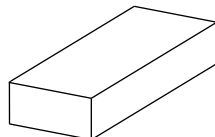
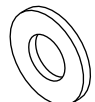
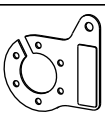

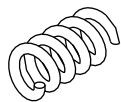
[www.autohak.com.pl](http://www.autohak.com.pl)



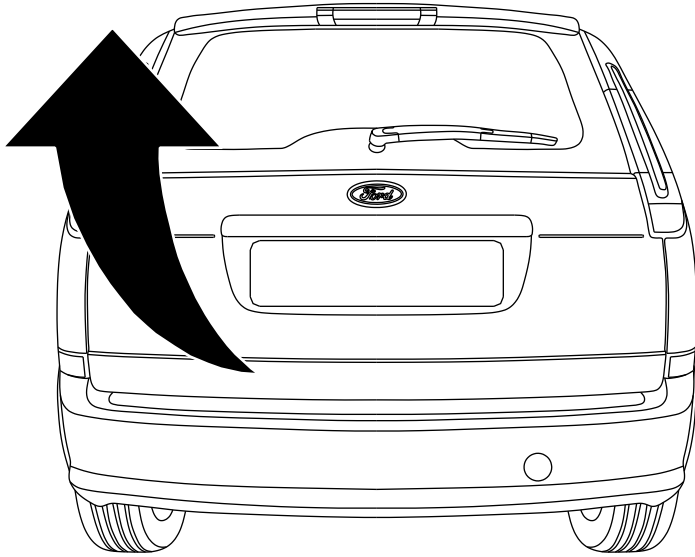
# AUTO-HAK

	<b>FORD C-MAX, 5D, VAN</b>	<b>Cat. no:</b>
	<b>04.2007 → 06.2010</b>	<b>C44A</b>
	<b>FORD FOCUS C-MAX, 5D, VAN</b>	
	<b>10.2003 → 03.2007</b>	
	<b>FORD FOCUS II, 3/5D (Mk2), ST</b>	
	<b>11.2004 → 01.2008</b>	  <b>2h</b>
	<b>02.2008 → 02.2011</b>	
	<b>E20-55R-01 4154</b>	 <input checked="" type="checkbox"/>
<b>D</b>	<b>8,39 kN</b>	
	<b>R=1500 kg</b>	 <input checked="" type="checkbox"/>
	<b>S=75 kg</b>	
	<b>16,4 kg</b> 	
		
	<b>M6 - 11 Nm</b>	<b>M8 - 25 Nm</b>
	<b>M10 - 50 Nm</b>	<b>M12 - 87 Nm</b>
	<b>M14 - 138 Nm</b>	<b>M16 - 210 Nm</b>
	 <b>0 km</b> →  <b>1000 km</b>	

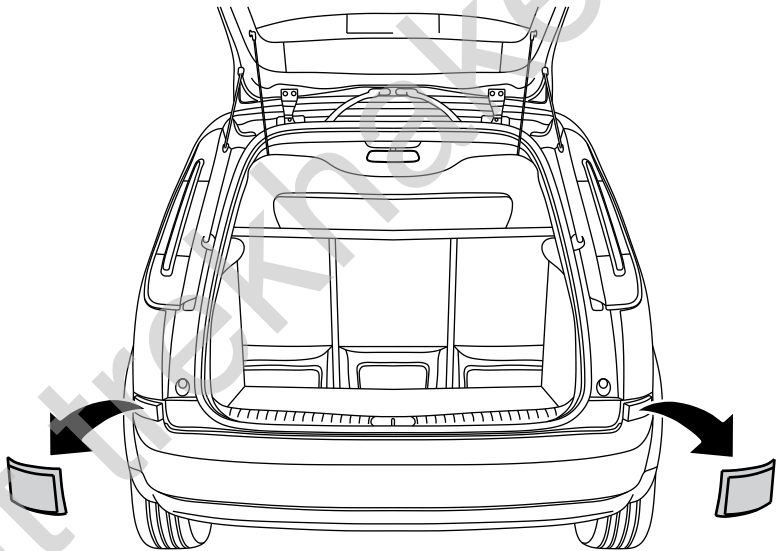


1		x1		5	M10x40	x4
				6	M8x45	x1
2		x1		7	∅ 30x∅10.5x2.5 10 (DIN 9021)	x4
				8	∅ 8.3	x2
3		x1		9	∅ 10.2	x4
				10	M8	x1
4		x1				

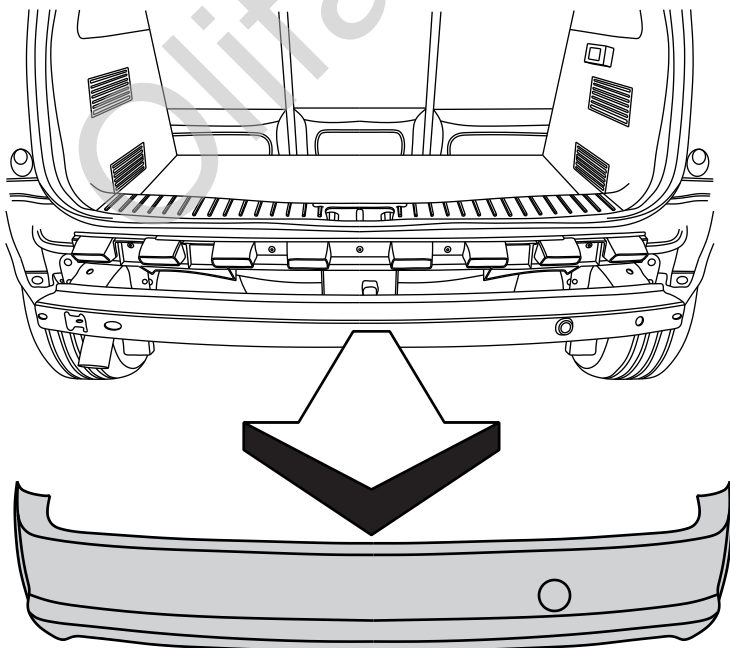
01

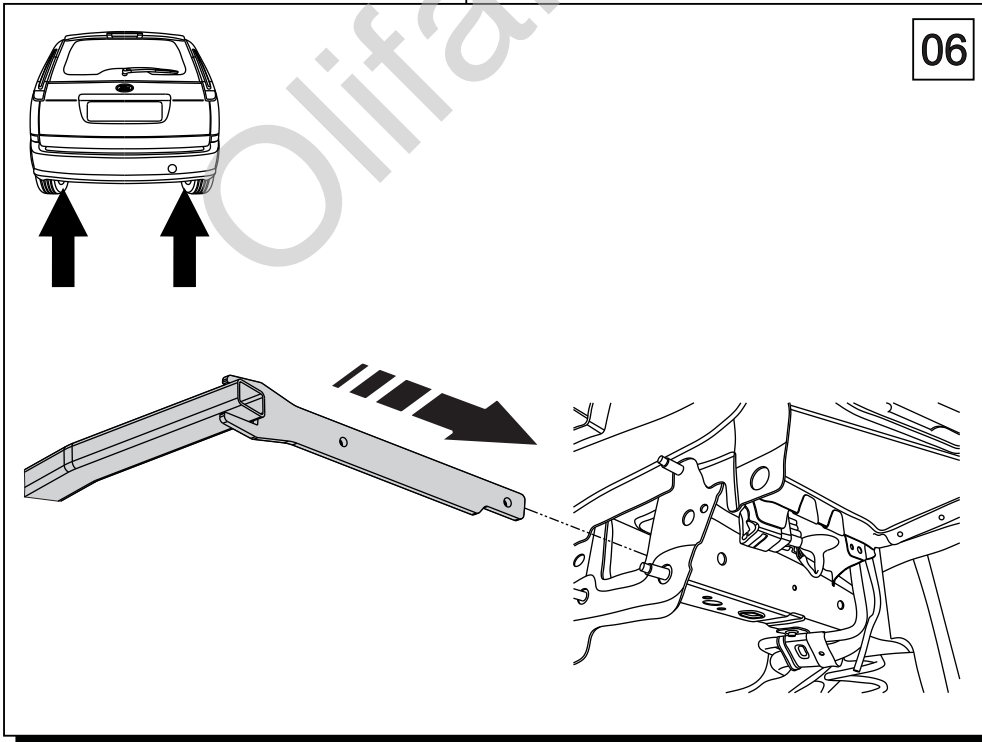
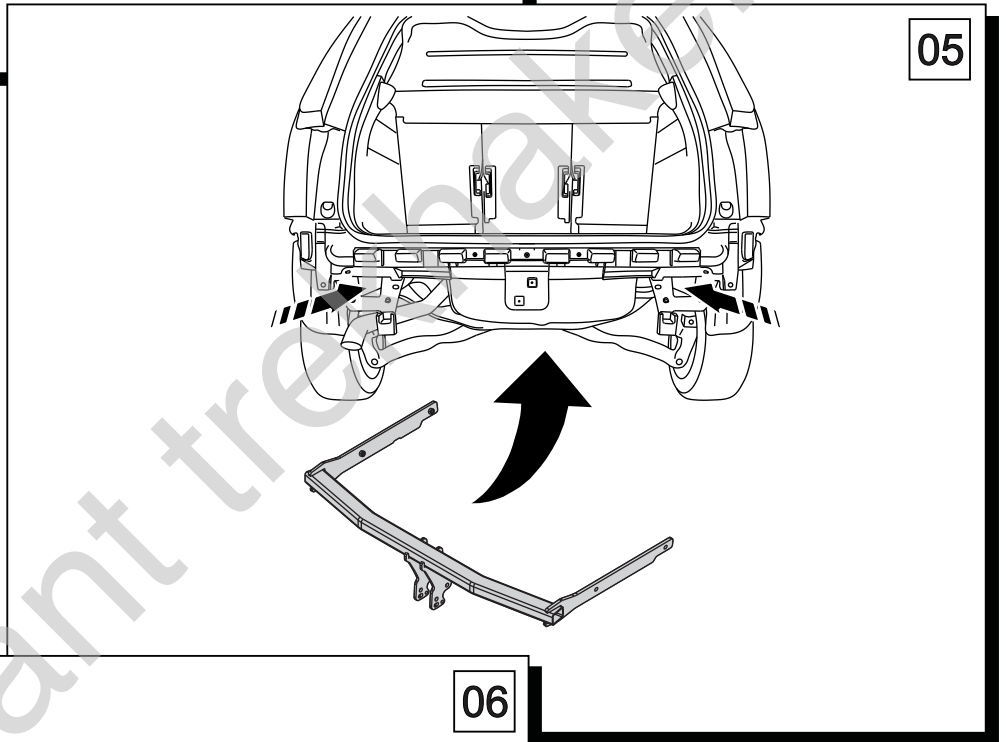
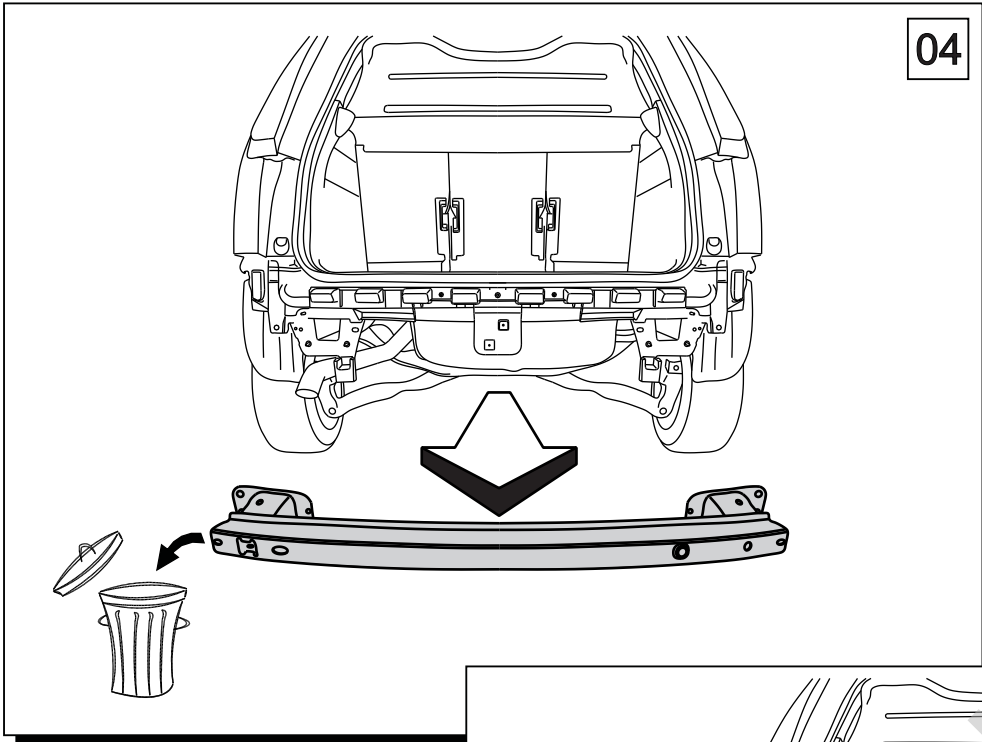


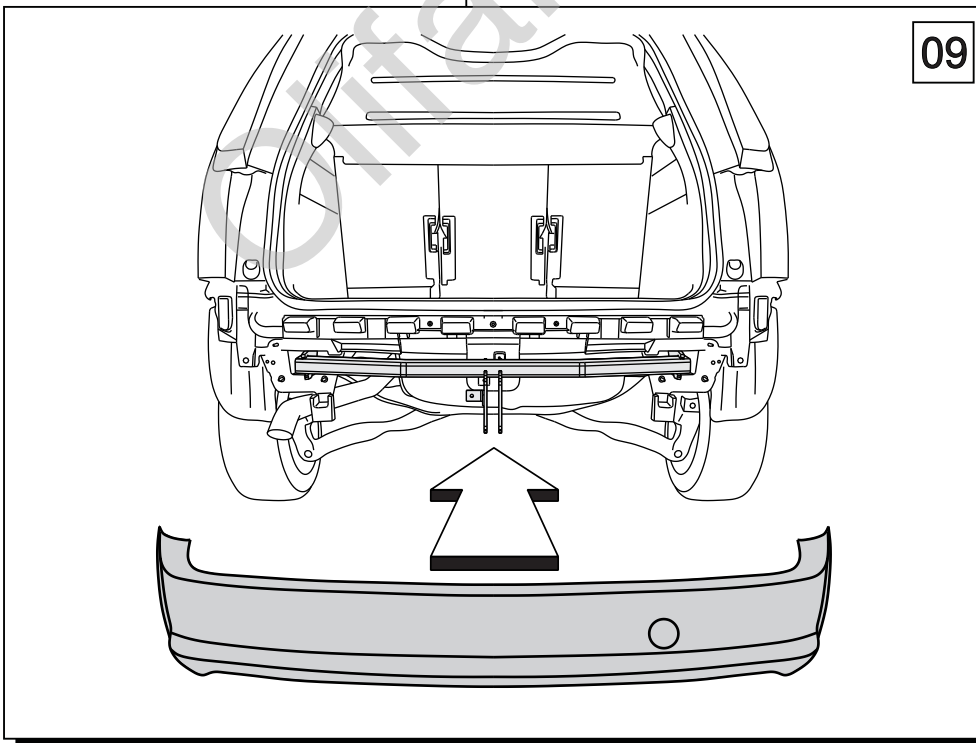
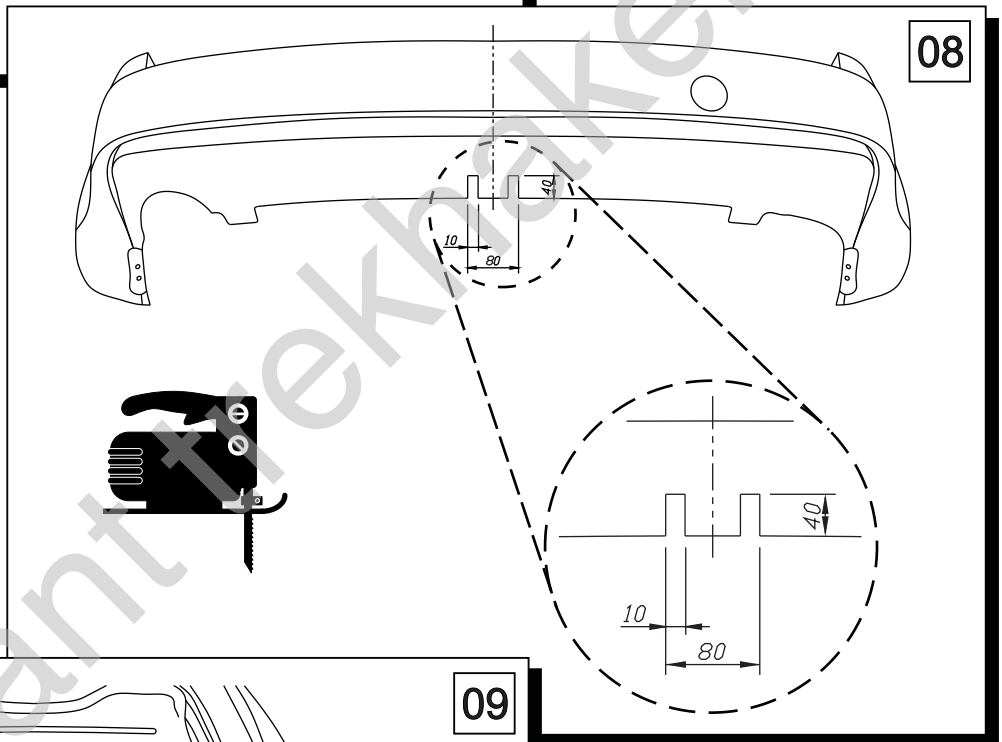
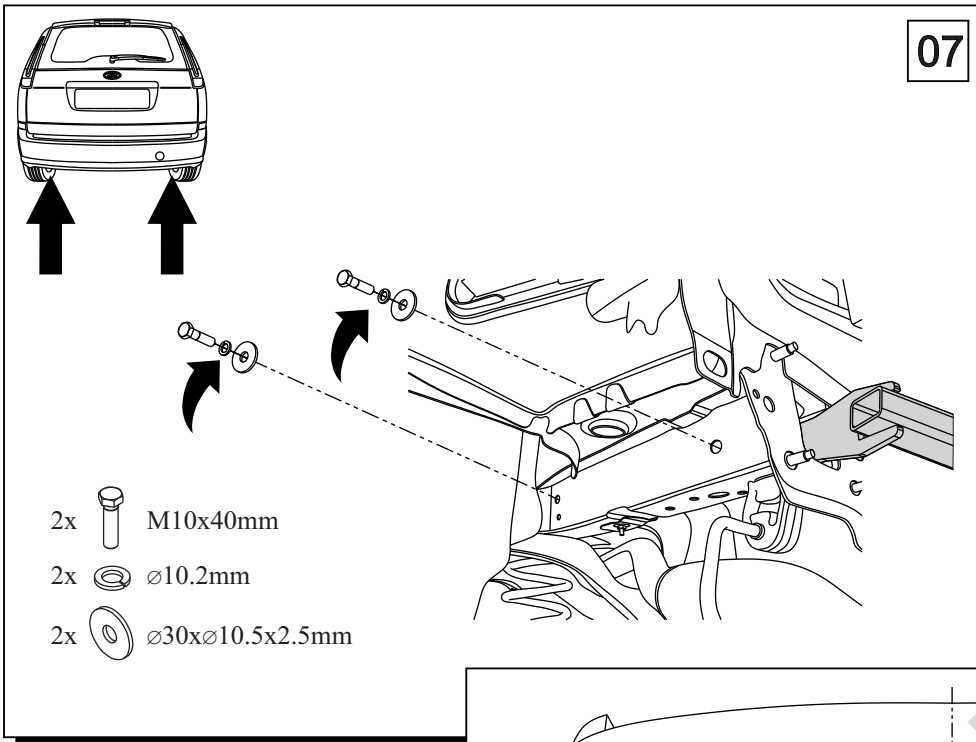
02



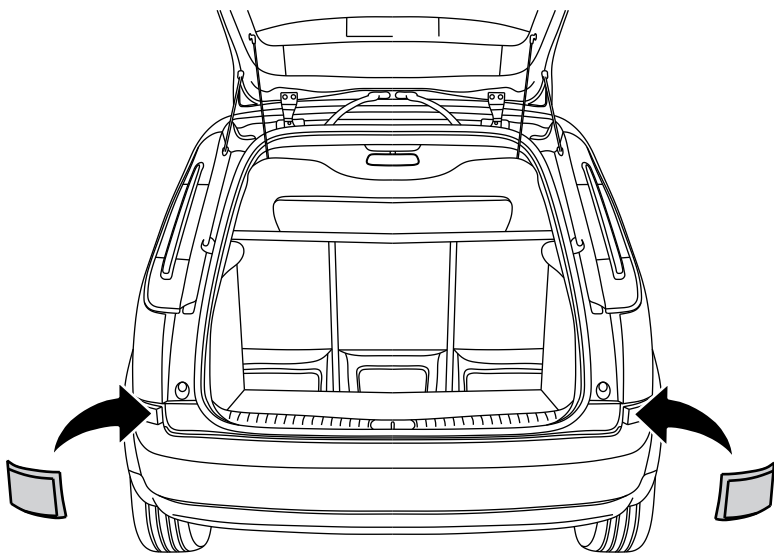
03








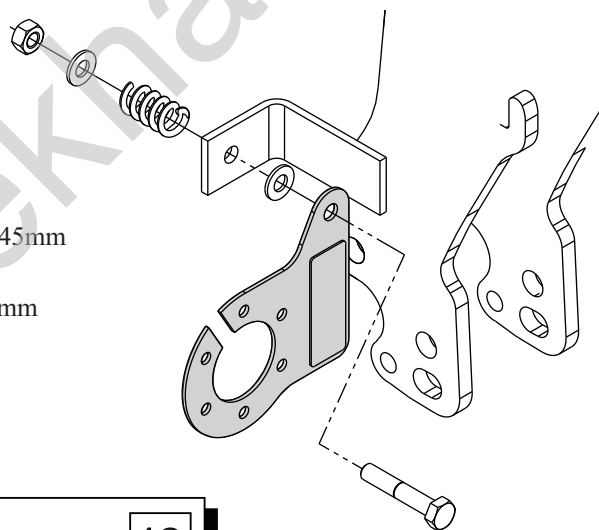
10



11



- 1x  M8x45mm
- 2x   $\varnothing 8.4\text{mm}$
- 1x 
- 1x  M8



12

