

AUTO-HAK Sp. z o.o.

ul. Słoneczna 16K 76-200 SŁUPSK
POLAND

tel/fax +48 59 8 414 414; +48 59 8 414 413

e-mail: office@autohak.com.pl

www.autohak.com.pl



AUTO-HAK



FIAT 500L 5D
FIAT 500L 5D, TREKKING

Cat. no:

R53A



09.2012 →



E20-55R-01 3375



7,5 kN



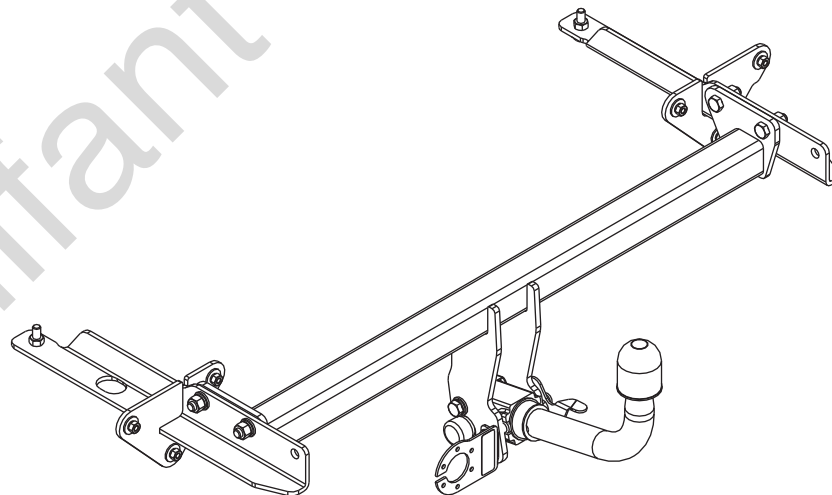
R=1200 kg



S=90 kg



2h



M6 - 11 Nm
M10 - 50 Nm
M14 - 138 Nm

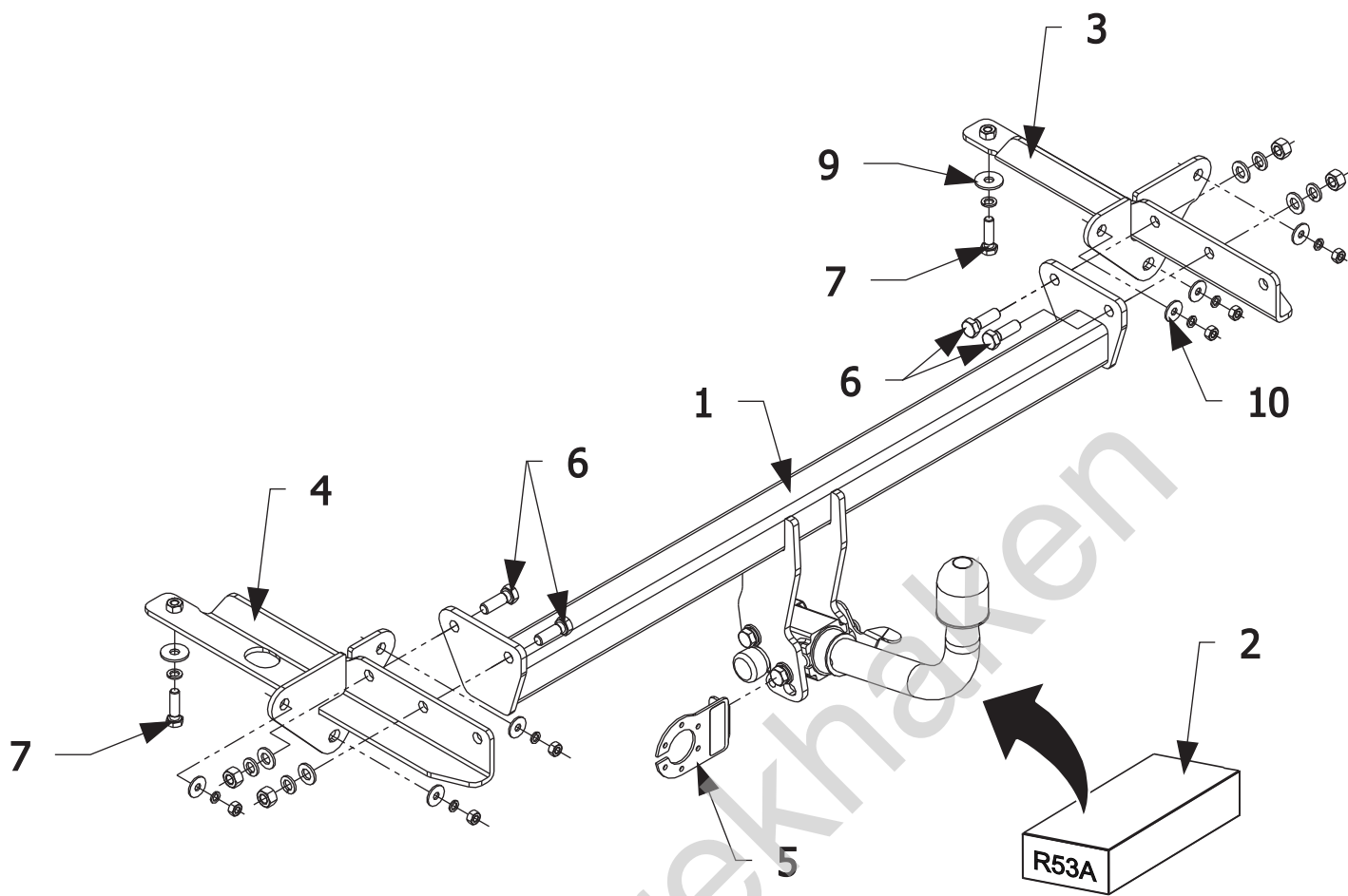
M8 - 25 Nm
M12 - 87 Nm
M16 - 210 Nm

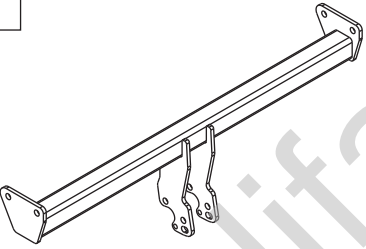

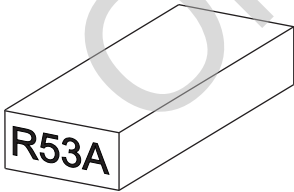

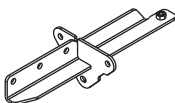

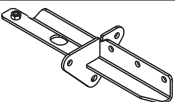

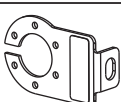







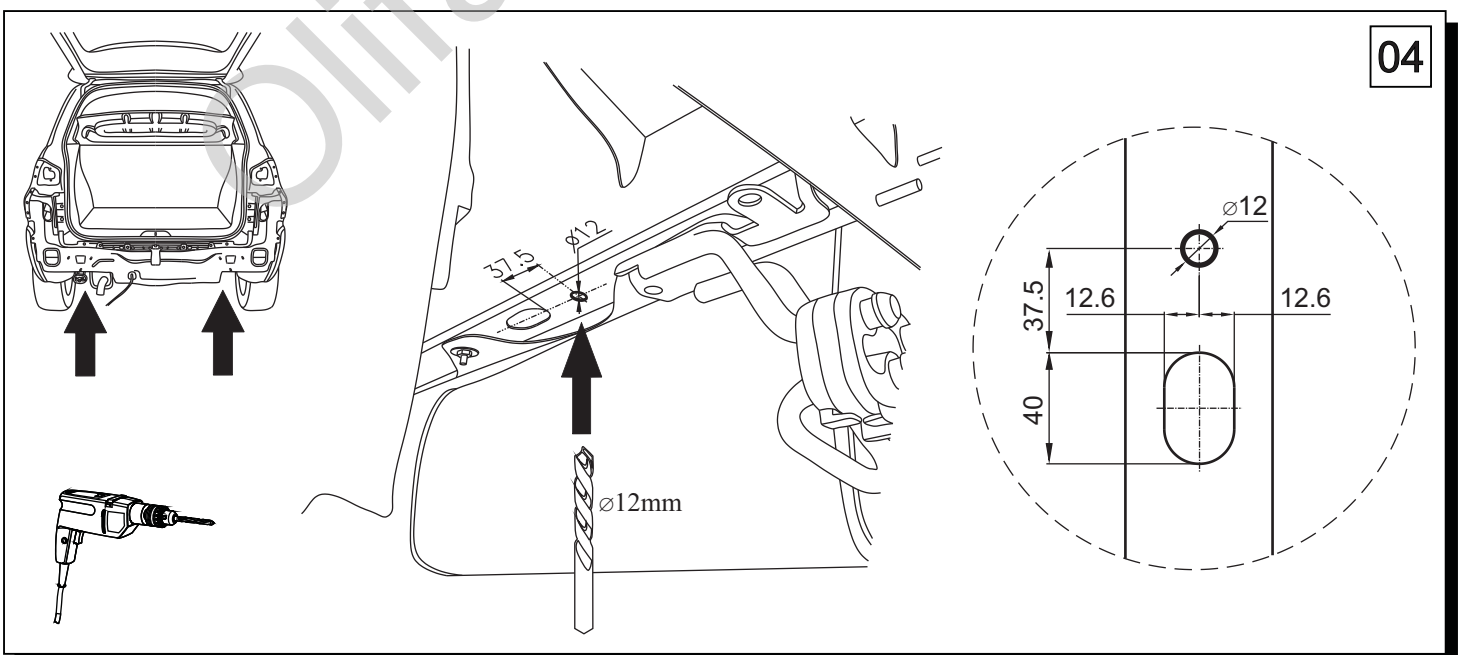
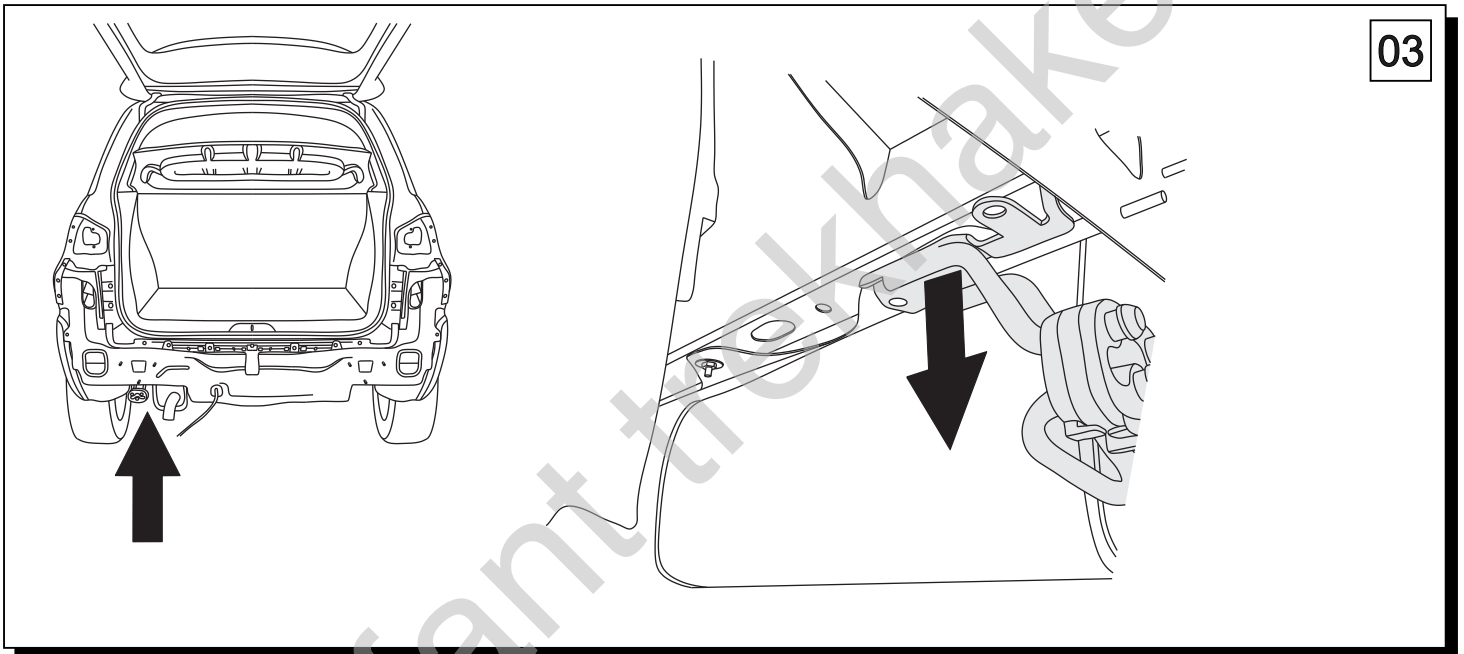
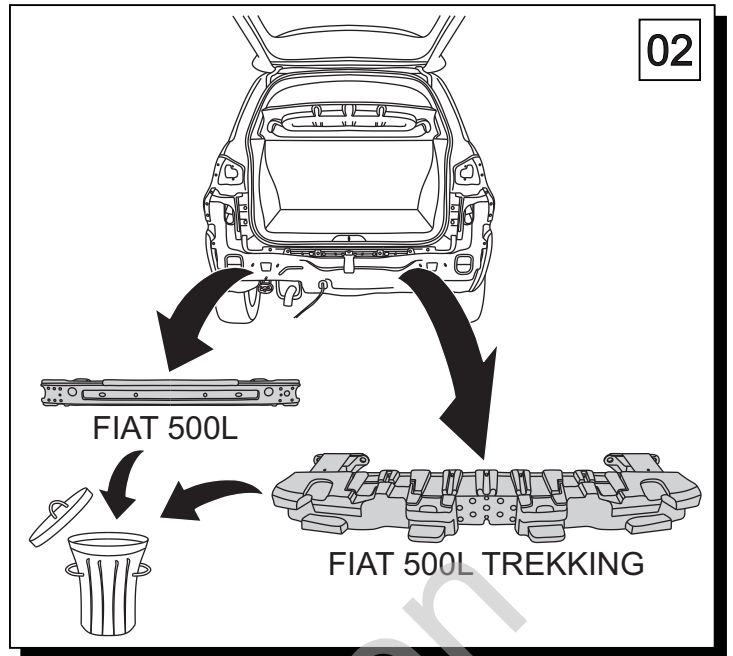
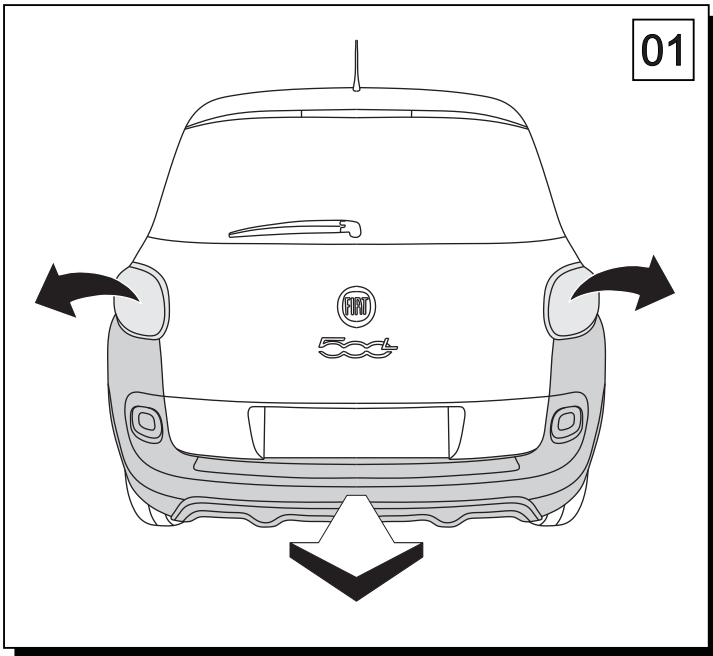
0 km →

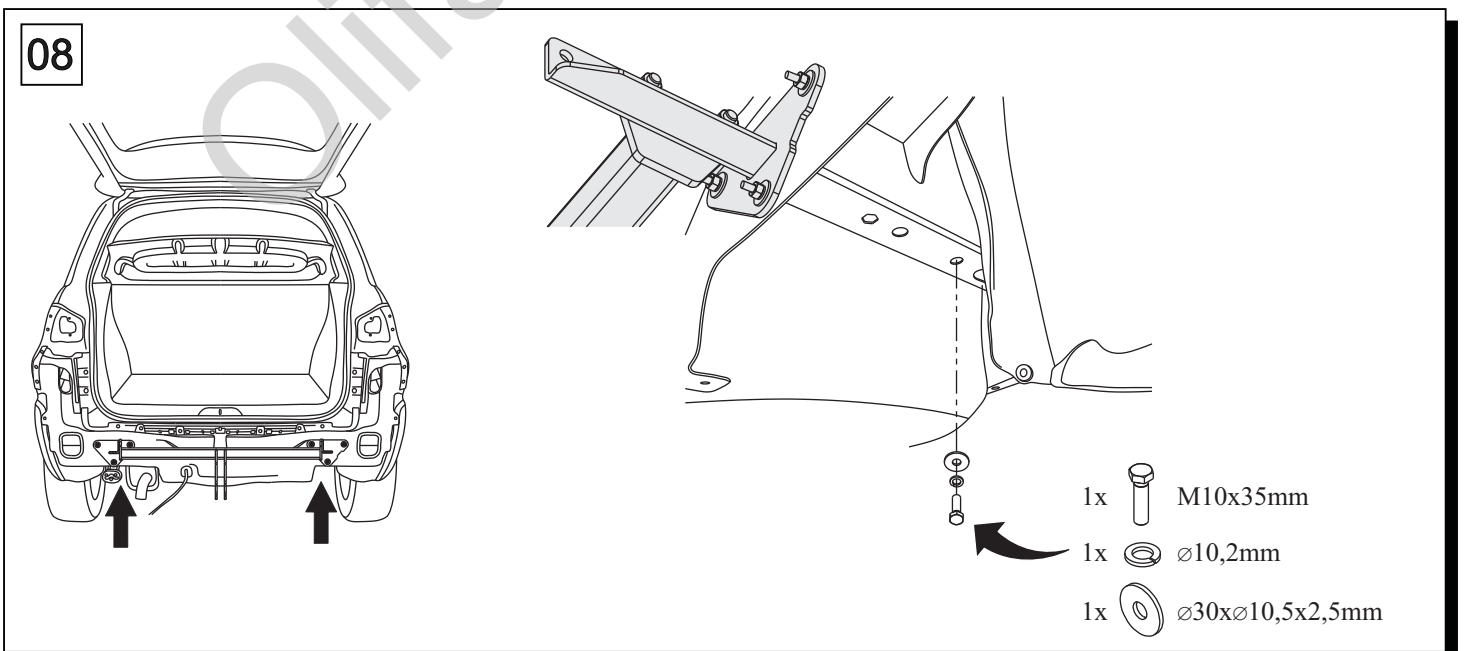
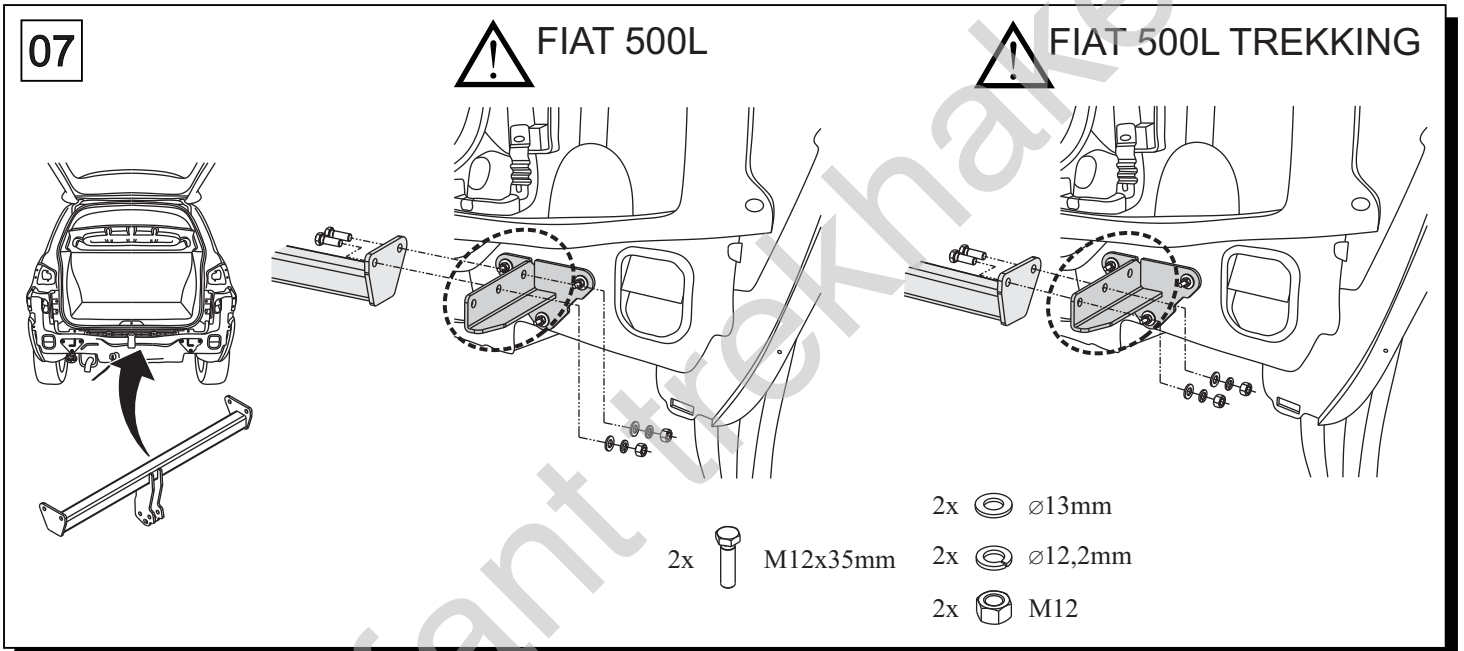
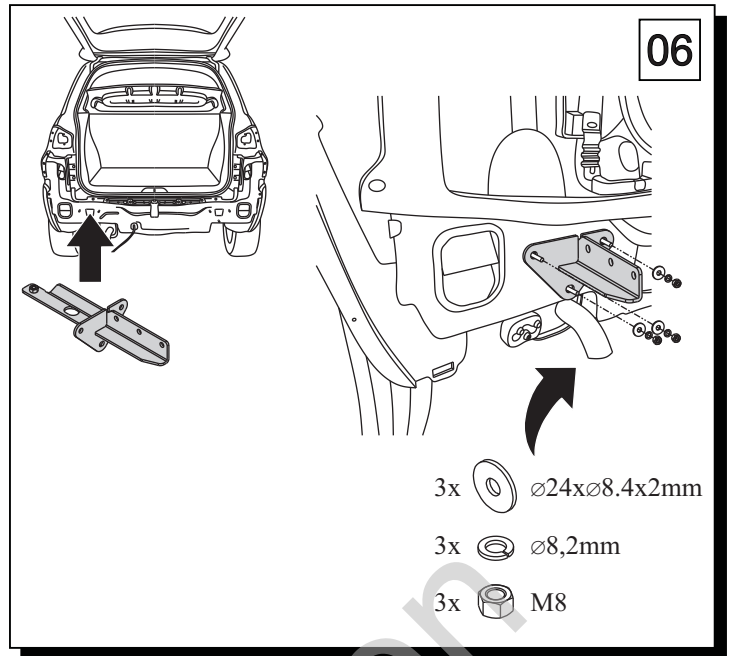
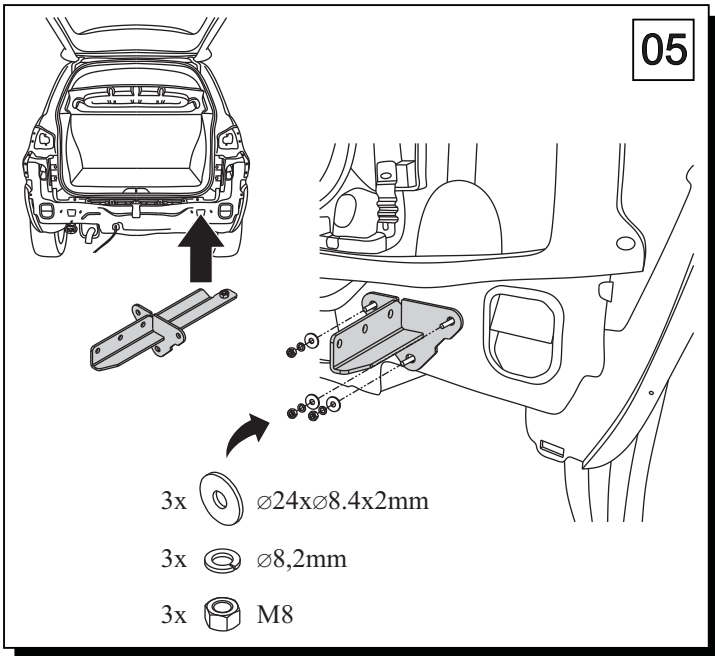


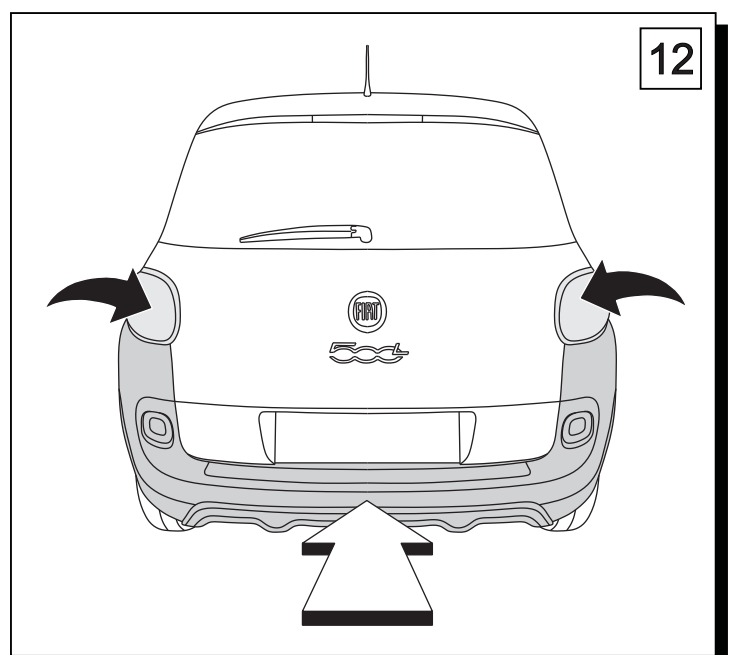
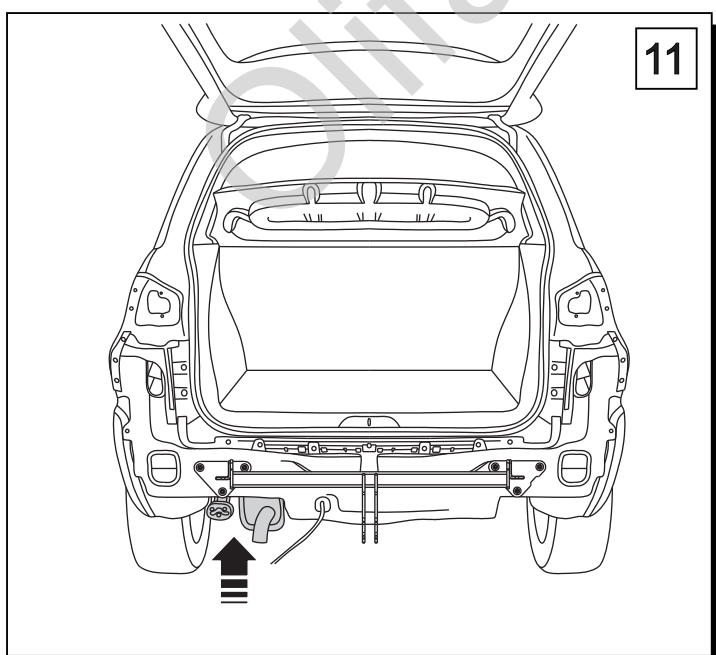
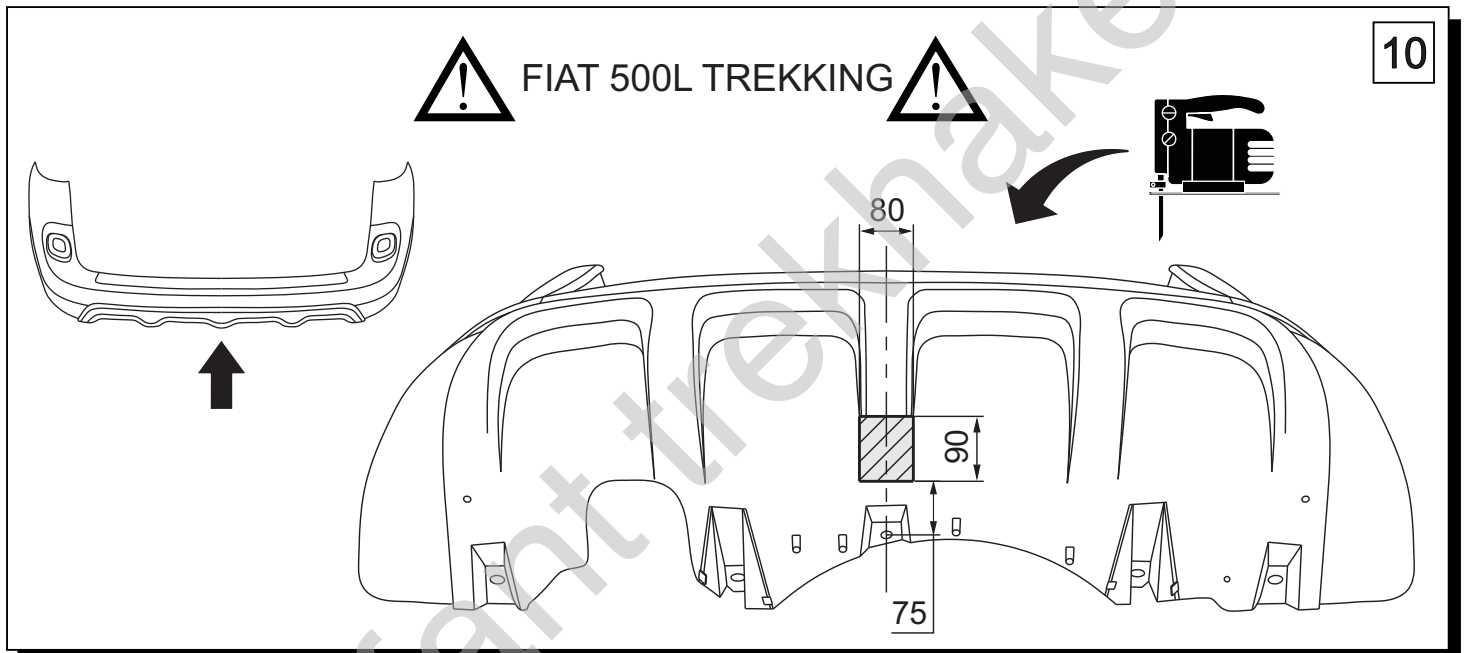
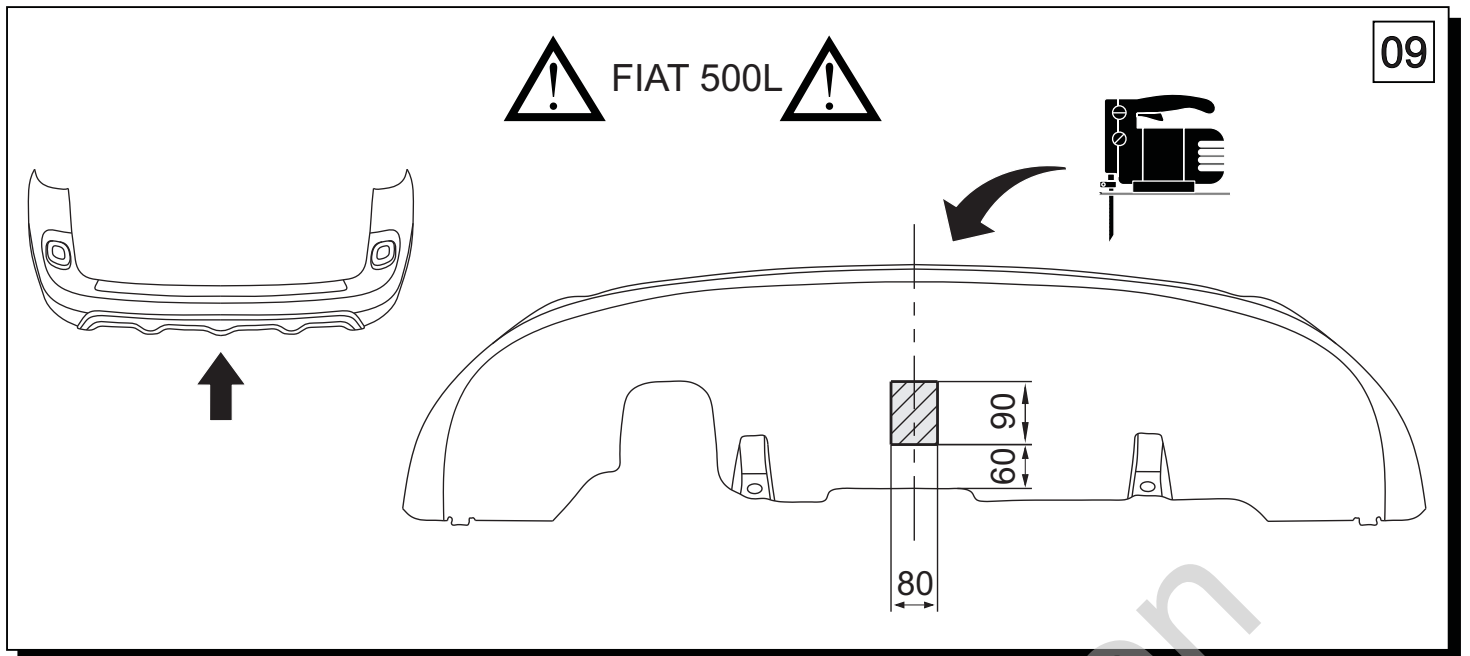
1000 km

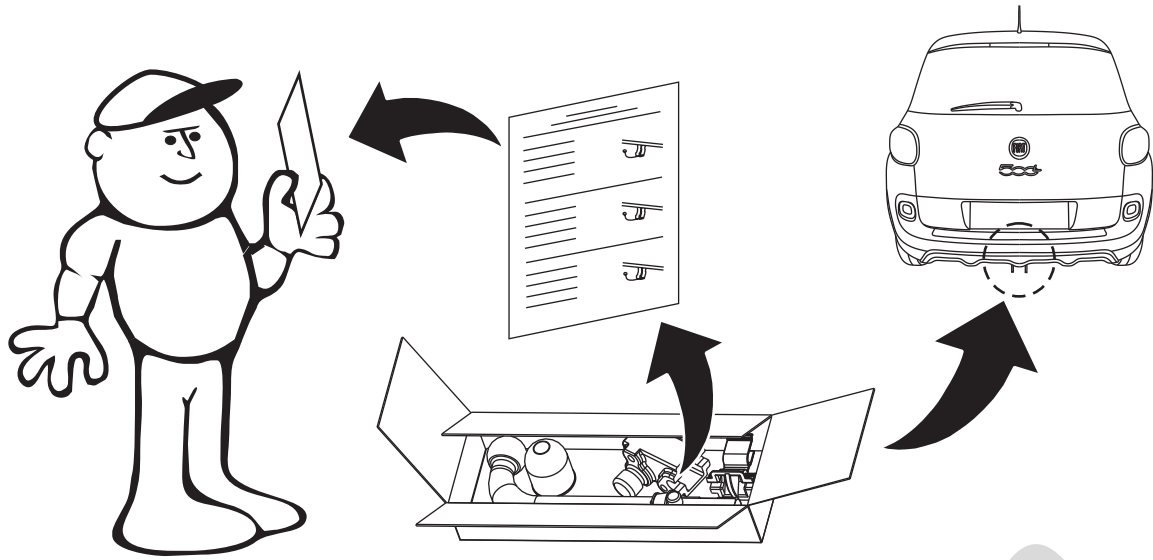


1		x 1		6 M12x35	x 4
2	 <p data-bbox="486 1713 718 1747">Art.nr-KL1R53A</p>	x 1		8 \varnothing 13	x 8
3		x 1		9 \varnothing 30x \varnothing 10.5x2.5	x 2
4		x 1		10 \varnothing 24x \varnothing 8.4x2	x 6
5	 <p data-bbox="486 2060 718 2094">Art.nr-BL1R53A</p>	x 1		11 \varnothing 12.2	x 8
				12 \varnothing 10.2	x 2
				13 \varnothing 8.2	x 6
				14 M12	x 4
				15 M8	x 6









Olifant trekhaken