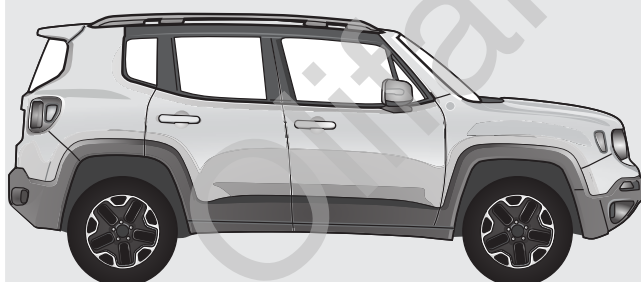


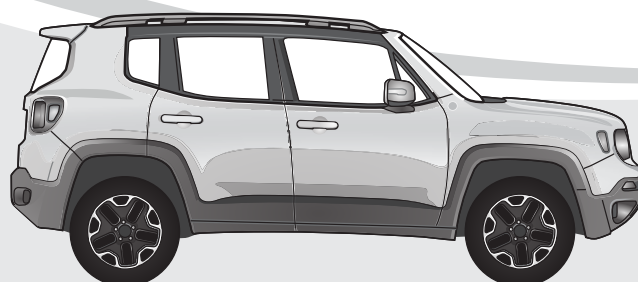
500X

02/15 →



Renegade BU

10/14 →



Renegade 4xe BU (PHEV)

07/20 →

D

Produktübersicht

Elektro-Einbausatz für Anhängerkupplung / 13-polig / 12 Volt / ISO 11446

GB

Product overview

Electric wiring kit for towbars / 13-pin / 12 Volt / ISO 11446

F

Aperçu des produits

Faisceau pour attelage / 13 broches / 12 Volt / ISO 11446

I

Cerrellata dei prodotti

Cablaggio elettrico per ganci di traino / 13 poli / 12 Volt / ISO 11446

E

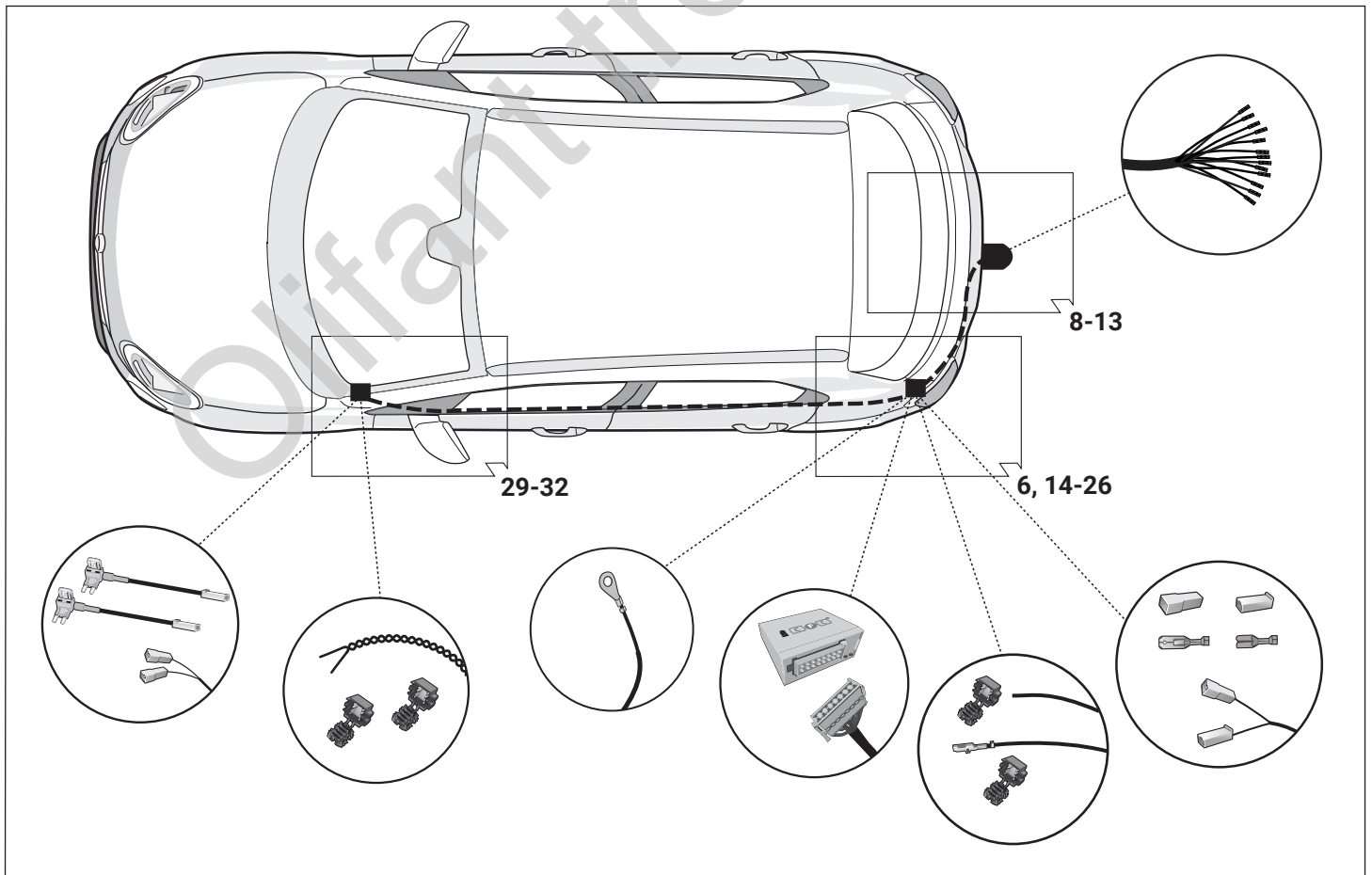
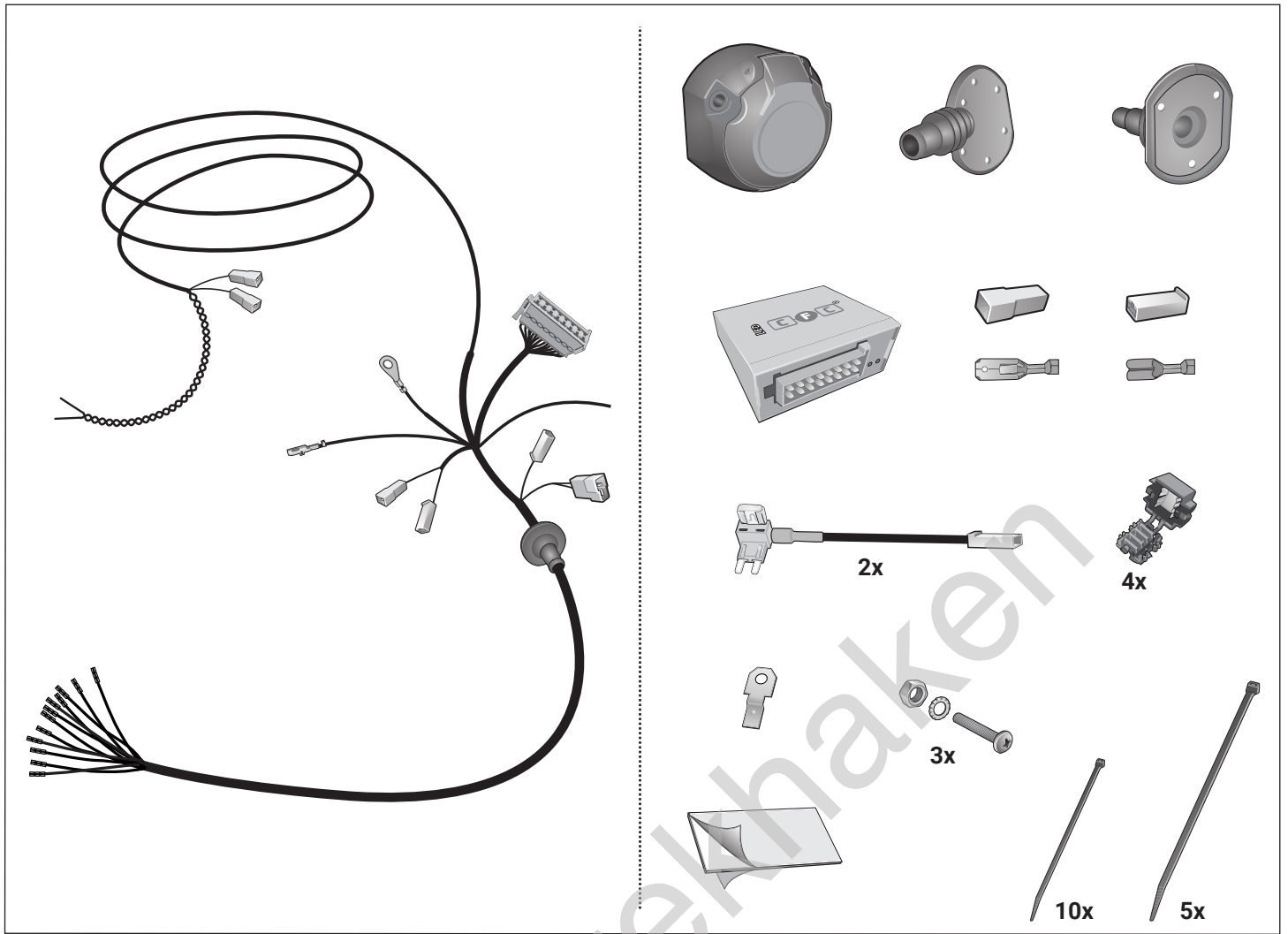
Descripción del producto

Kits eléctricos para enganches de remolques / 13 pins / 12 Volt / ISO 11446

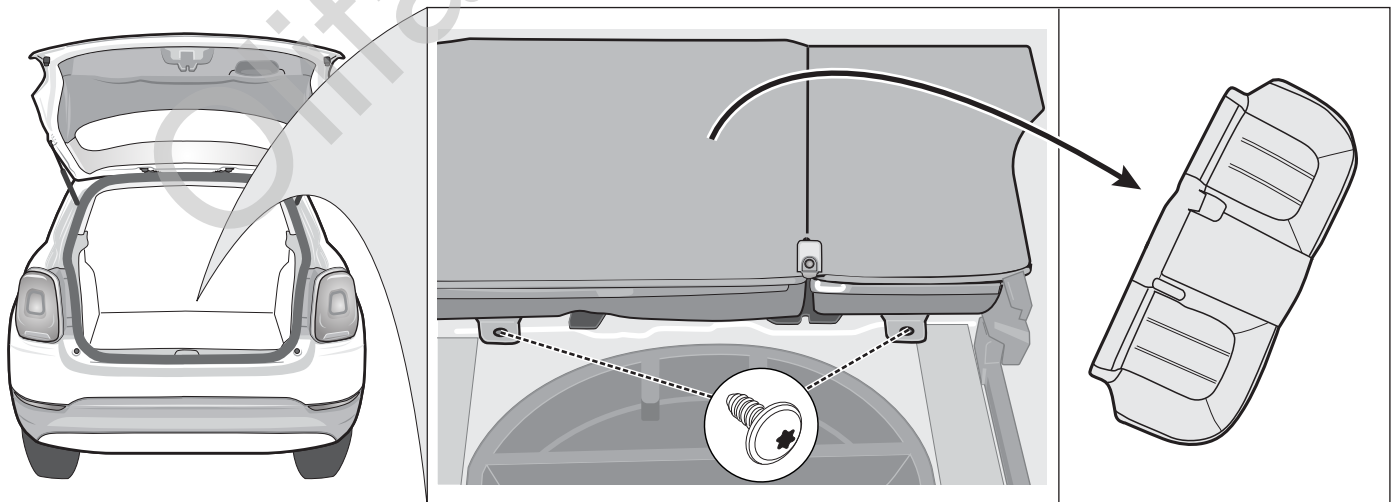
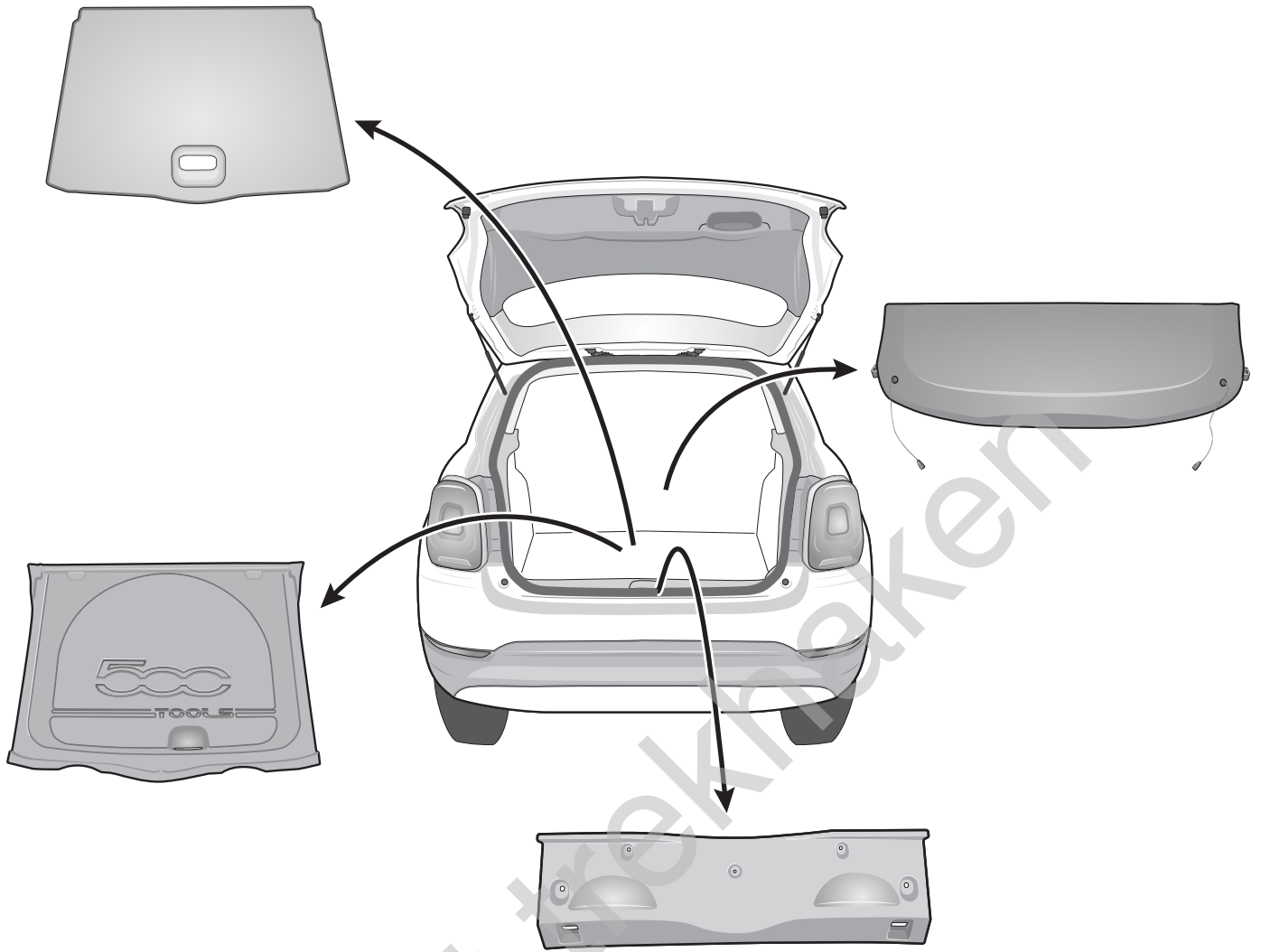
NL

Productoverzicht

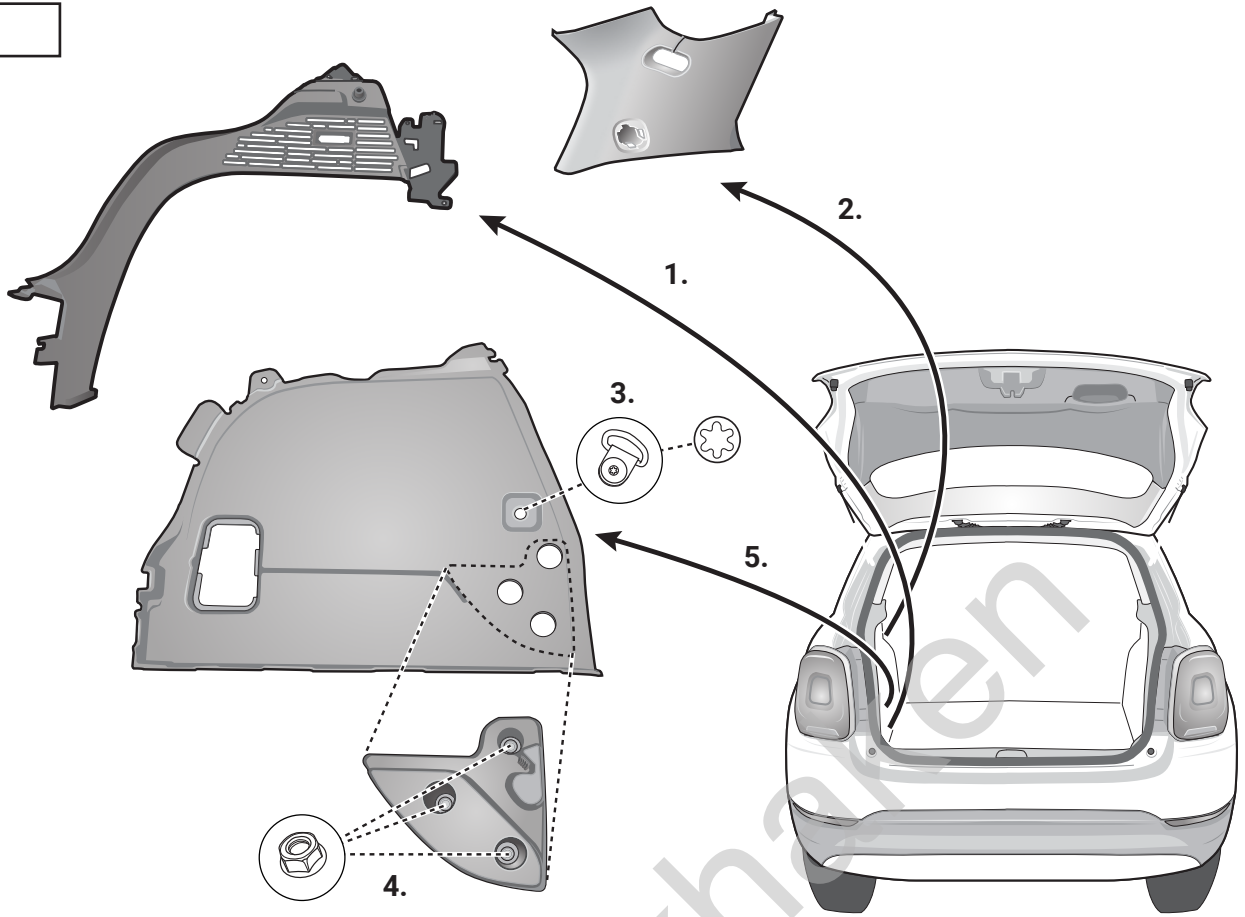
Elektro-inbouwset voor aanhangerkoppeling / 13-polig / 12 Volt / ISO 11446



500X

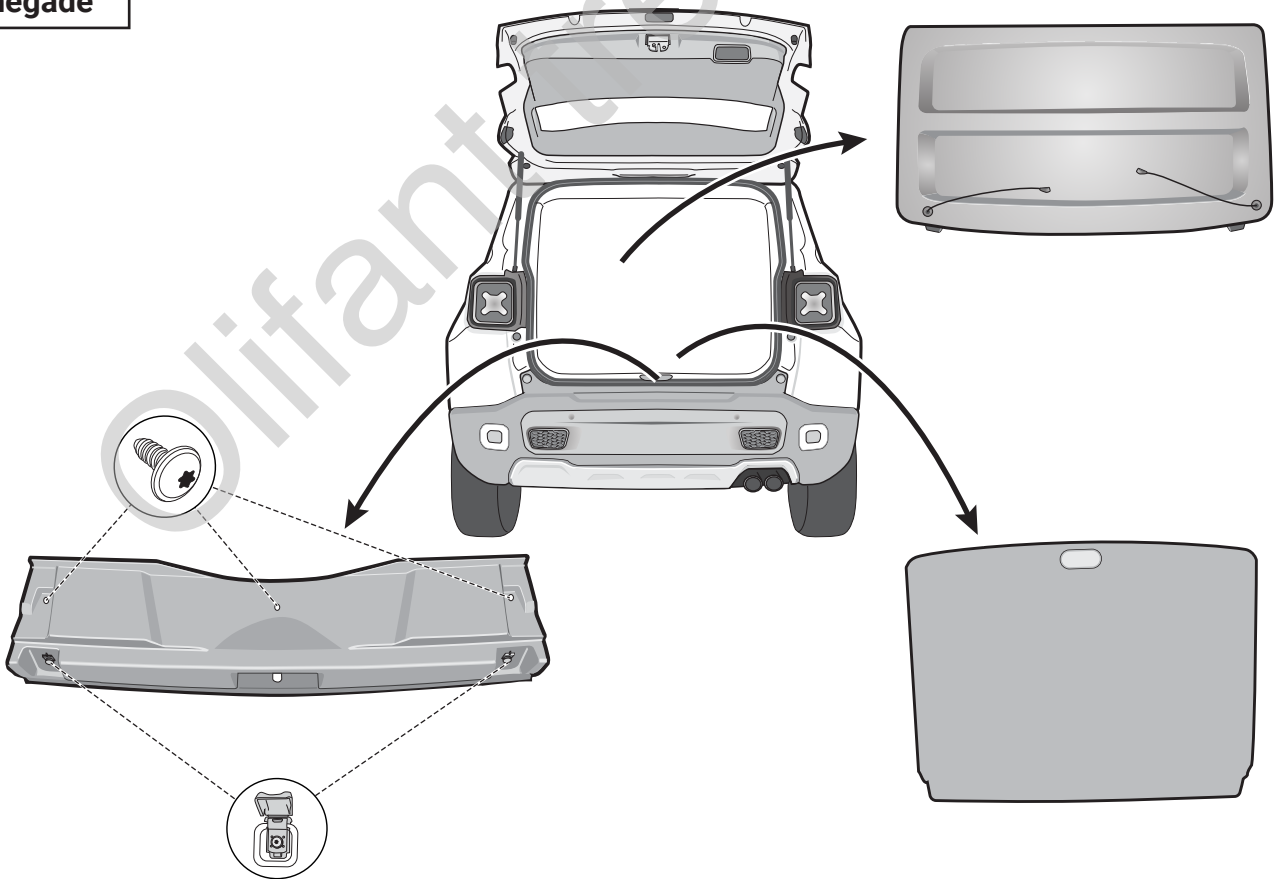


500X



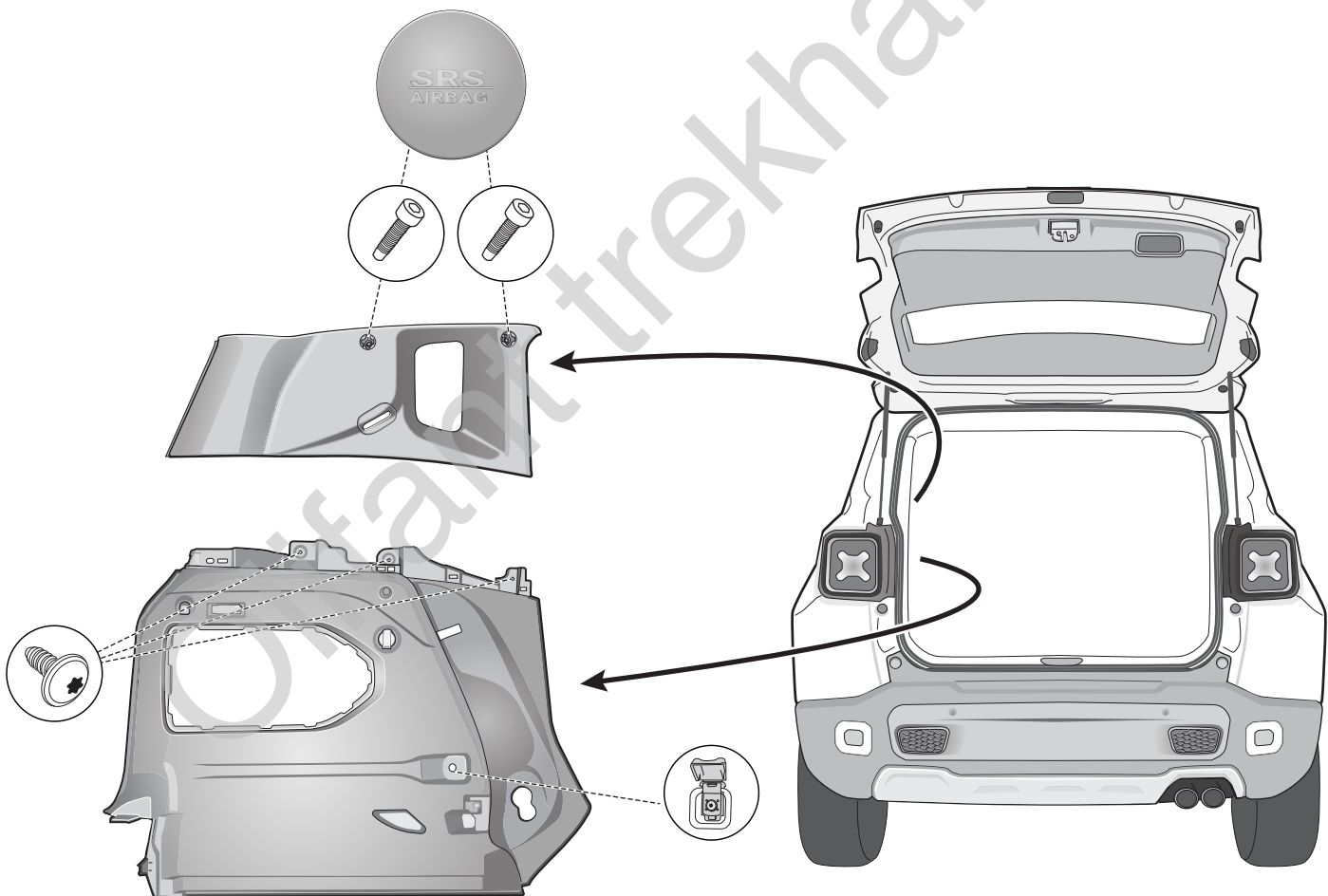
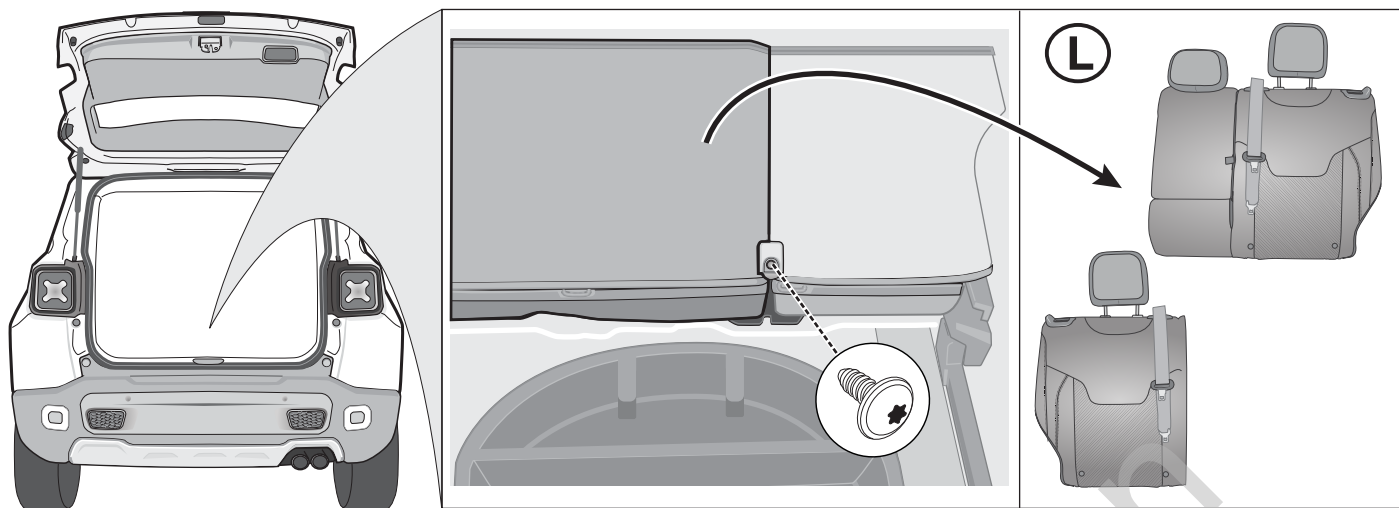
3

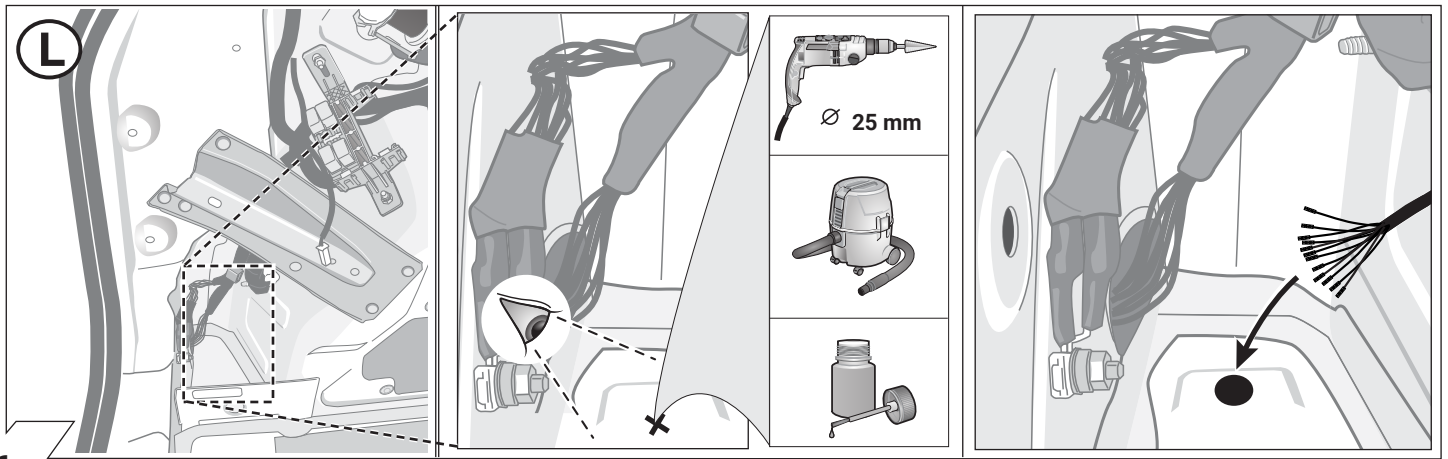
Renegade



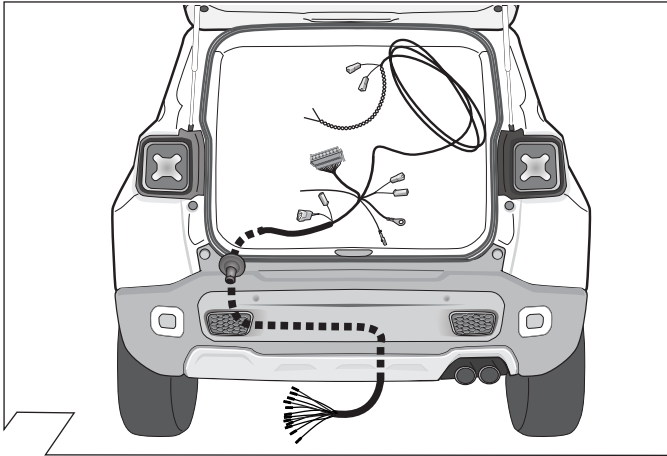
4

Renegade

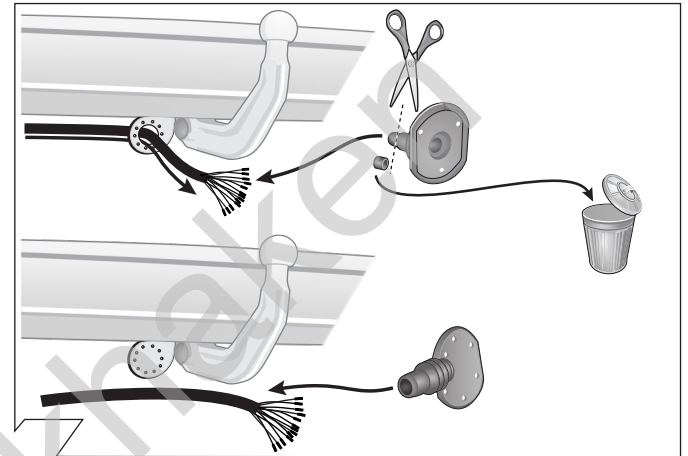




6



7



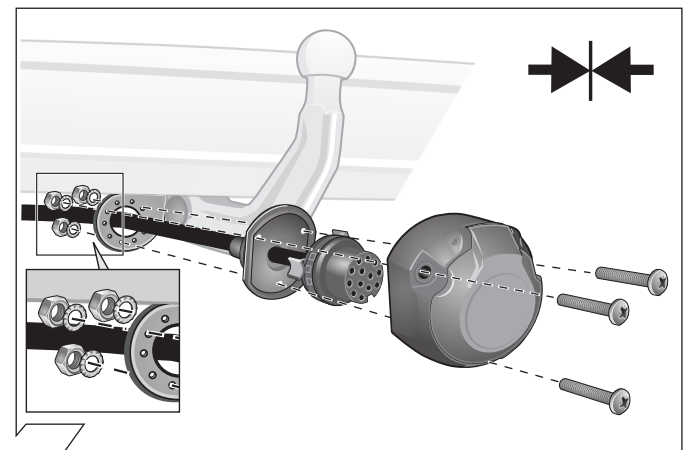
8

| ISO 11446 | Belegung der Steckdose / Maximale Ausgangsleistung Socket configuration / Maximum power output Correspondance des contacts de la prise / Puissance de sortie maximale Abbinamento della presa / Uscita di alimentazione massima Indeling van de stekkerdoos / maximaal uitgangsvermogen | | | |
|-----------|---|-------|------|--|
| | 1/L | BK/WT | 21W | |
| | 2 | WT | 42W | |
| | 1-8 | 3/31 | BR | |
| | 4/R | BK/GN | 21W | |
| | 5/58-R | GY/RD | 52W | |
| | 6/54 | BK/RD | 63W | |
| | 7/58-L | GY/BK | 52W | |
| | 8 | BL/RD | 42W | |
| | 9 | RD | 240W | |
| | 10 | YL | 180W | |
| | 10 | YL/BR | | |
| | 12 | | | |
| | 9 | RD/BR | | |

9

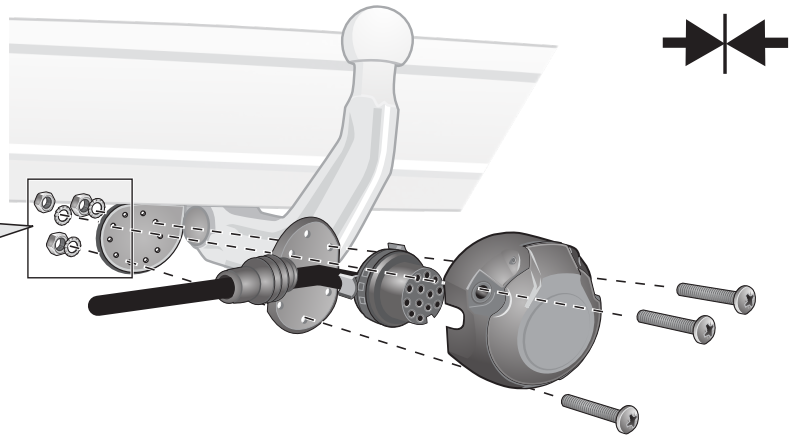
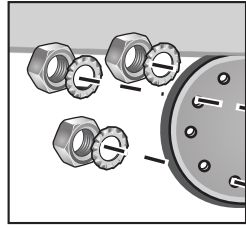
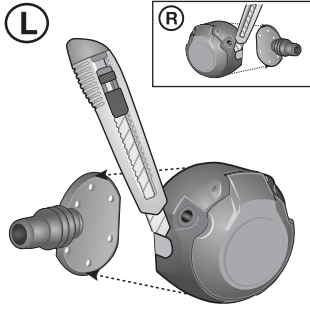


10



11

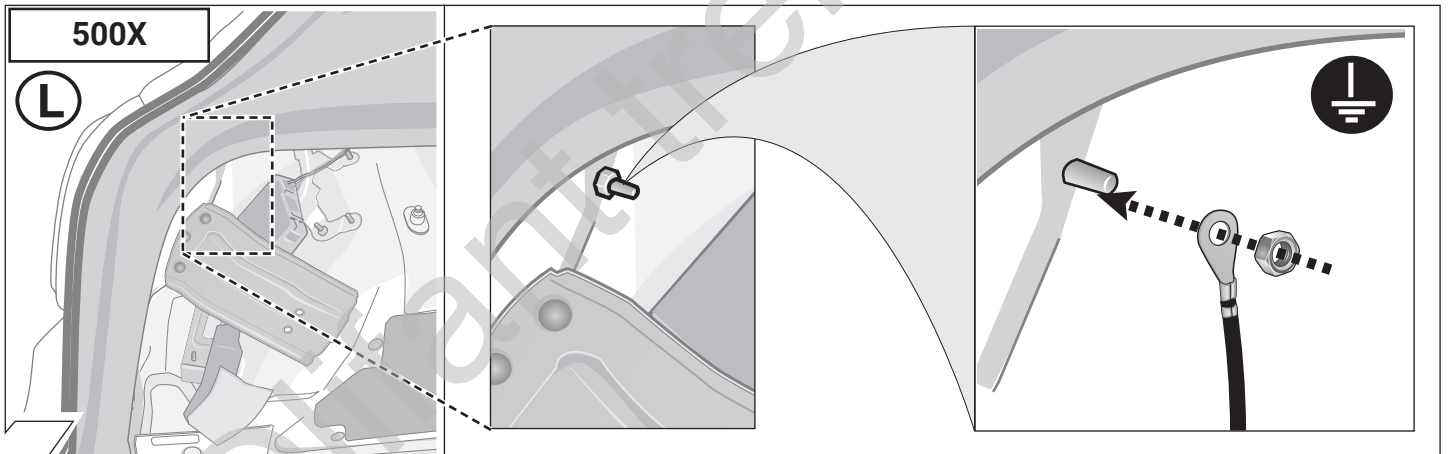
Choose direction!



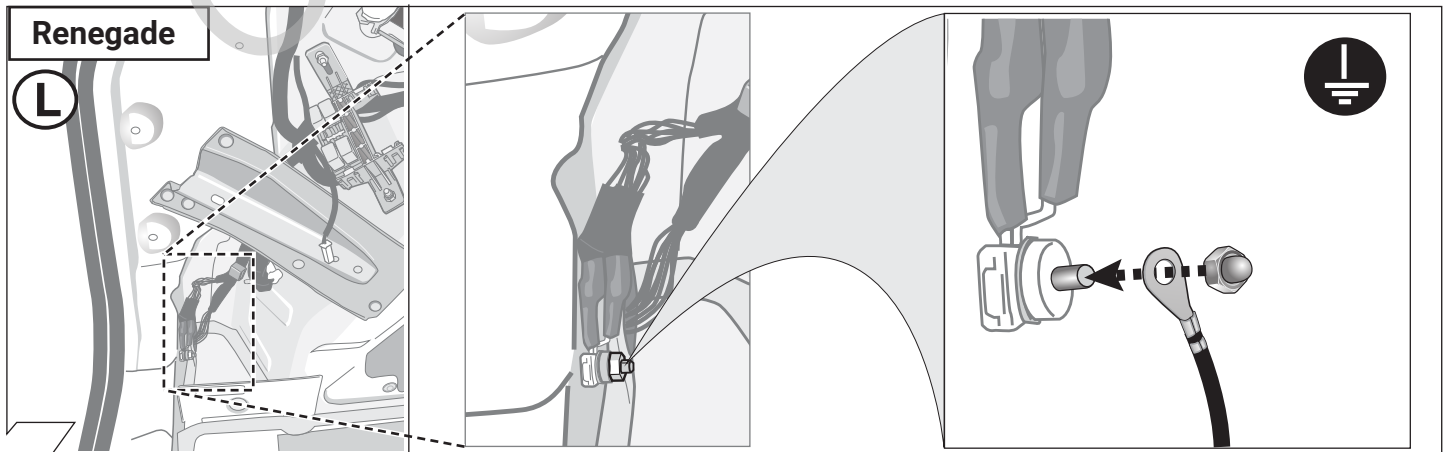
12

| | GB | D | E | F | I | P | NL | DK | N | S | FIN | CZ | H | PL |
|-----------|--------|---------|----------|--------|-----------|-------------|--------|--------|---------|---------|-----------|----------|-----------|--------------|
| BK | Black | Schwarz | Negro | Noir | Nero | Preto | Zwart | Sort | Svart | Svart | Musta | Černá | Fekete | Czarny |
| RD | Red | Rot | Rojo | Rouge | Rosso | Vermelho | Rood | Rød | Rød | Röd | Punainen | Červená | Piros | Czerwony |
| GN | Green | Grün | Verde | Vert | Verde | Verde | Groen | Grøn | Grønt | Grön | Vihreä | Zelená | Zöld | Zielony |
| OR | Orange | Orange | Naranja | Orange | Arancione | Laranja | Oranje | Orange | Orange | Orange | Oranssi | Oranžová | Narancs | Pomarańczowy |
| VT | Violet | Violett | Violeta | Violet | Viola | Violeta | Violet | Violet | Fiolett | Violett | Violetti | Fialová | Ibolya | Fioletowy |
| PK | Pink | Pink | Pink | Rose | Rosa | Cor-de-Rosa | Paars | Pink | Pink | Rosa | Pinkki | Růžová | Rózsaszín | Różowy |
| BL | Blue | Blau | Azul | Bleu | Blu | Azul | Blauw | Blå | Blått | Blå | Sininen | Modrá | Kék | Niebieski |
| YL | Yellow | Gelb | Amarillo | Jaune | Giallo | Amarelo | Geel | Gul | Gult | Gul | Keltainen | Žlutá | Sárga | Żółty |
| WT | White | Weiss | Blanco | Blanc | Bianco | Branco | Wit | Hvid | Hvitt | Vit | Valkoinen | Bílá | Fehér | Biały |
| BR | Brown | Braun | Marrón | Brun | Marrone | Marrom | Bruin | Brun | Brunt | Brun | Ruskea | Hnědá | Barna | Brazowy |
| GY | Grey | Grau | Gris | Gris | Grigio | Cinzeno | Grijs | Grå | Grått | Grå | Harmaa | Šedá | Szürke | Szary |

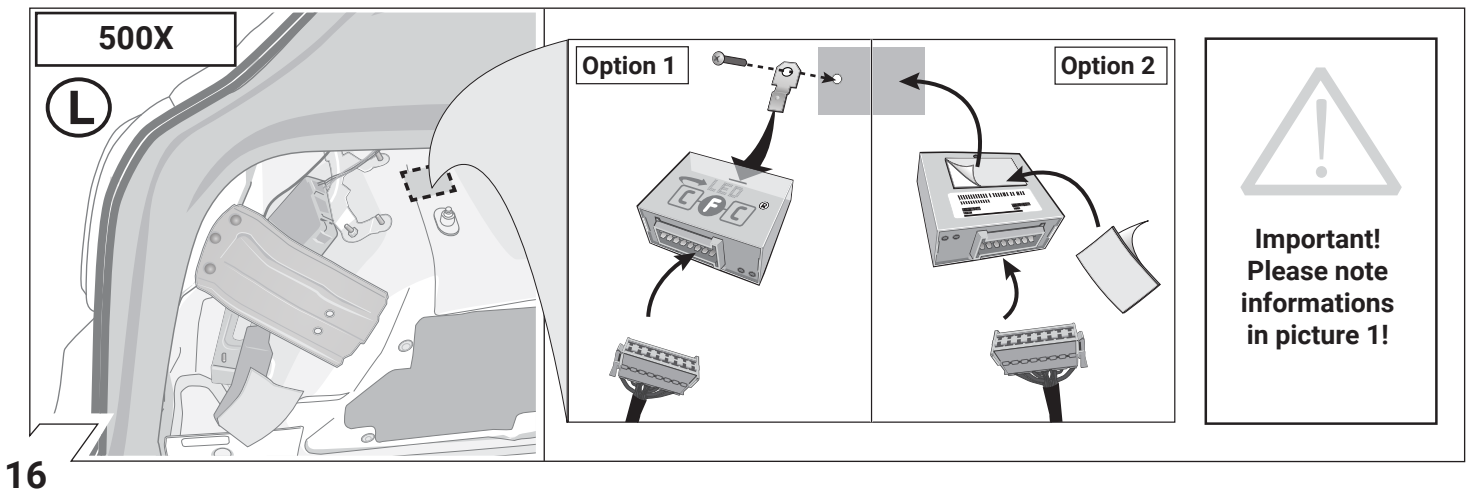
13



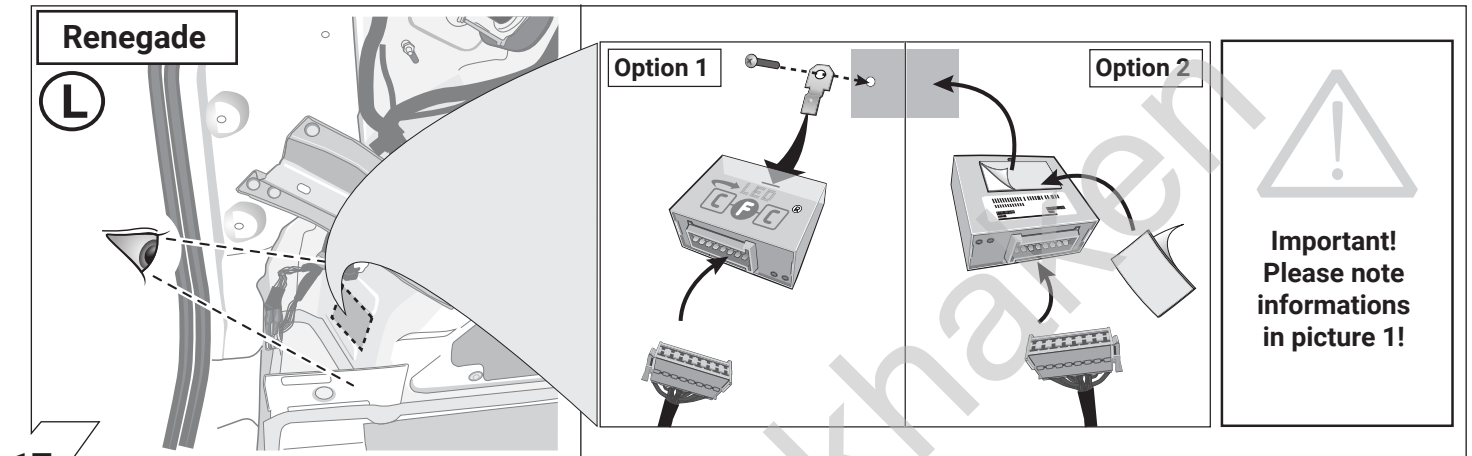
14



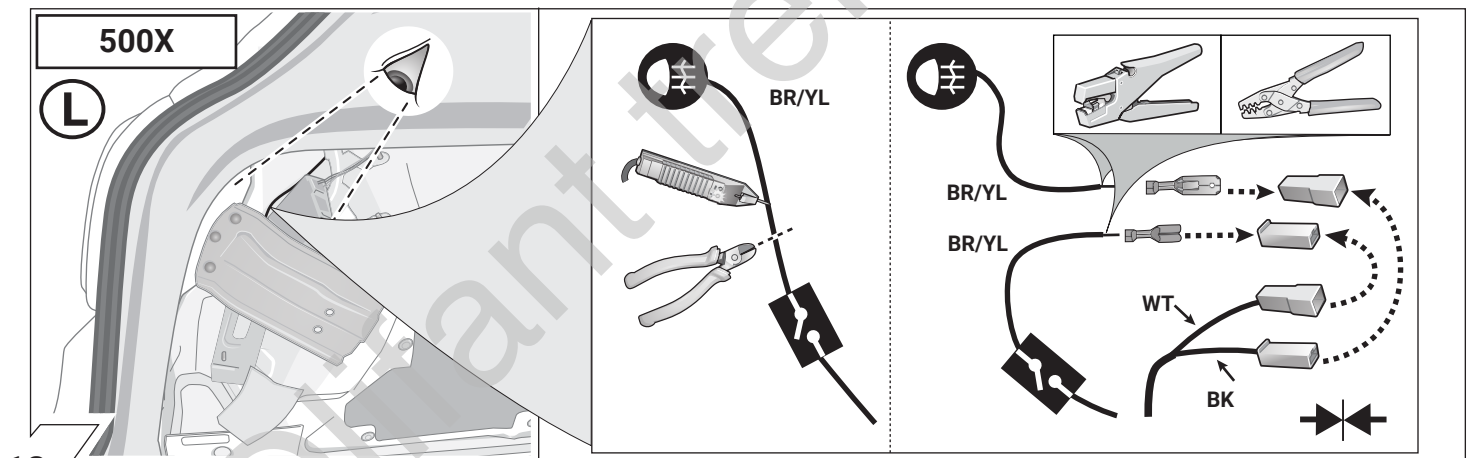
15



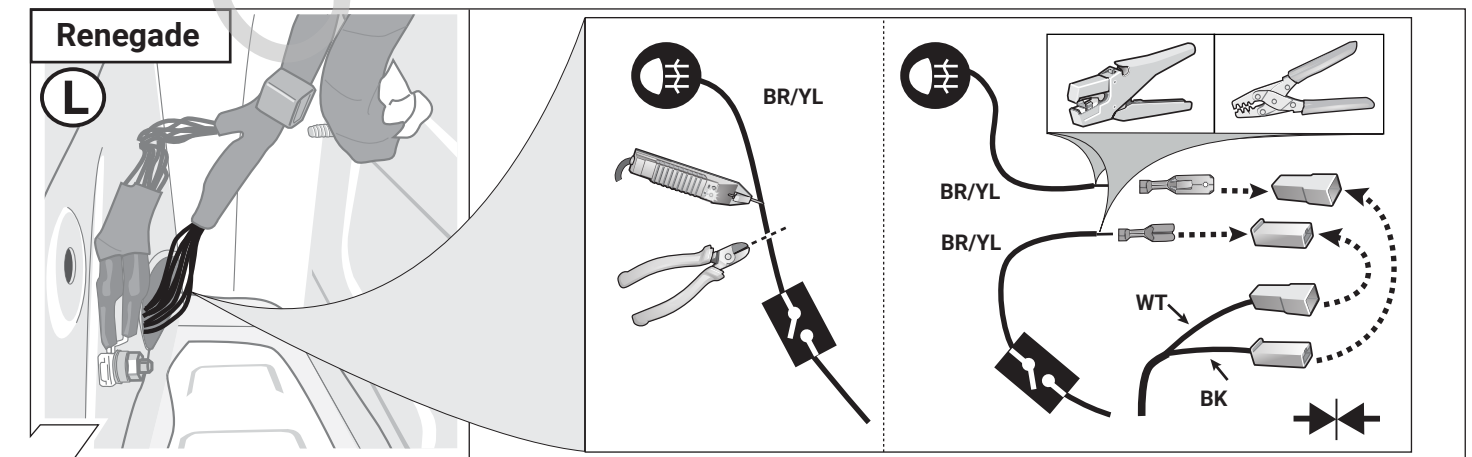
16



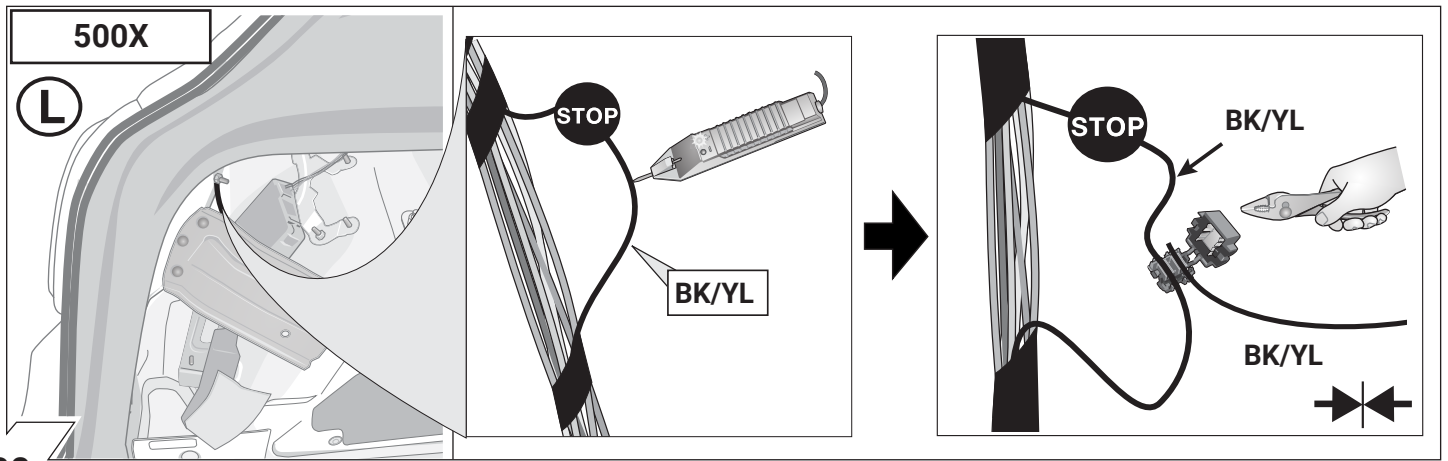
17



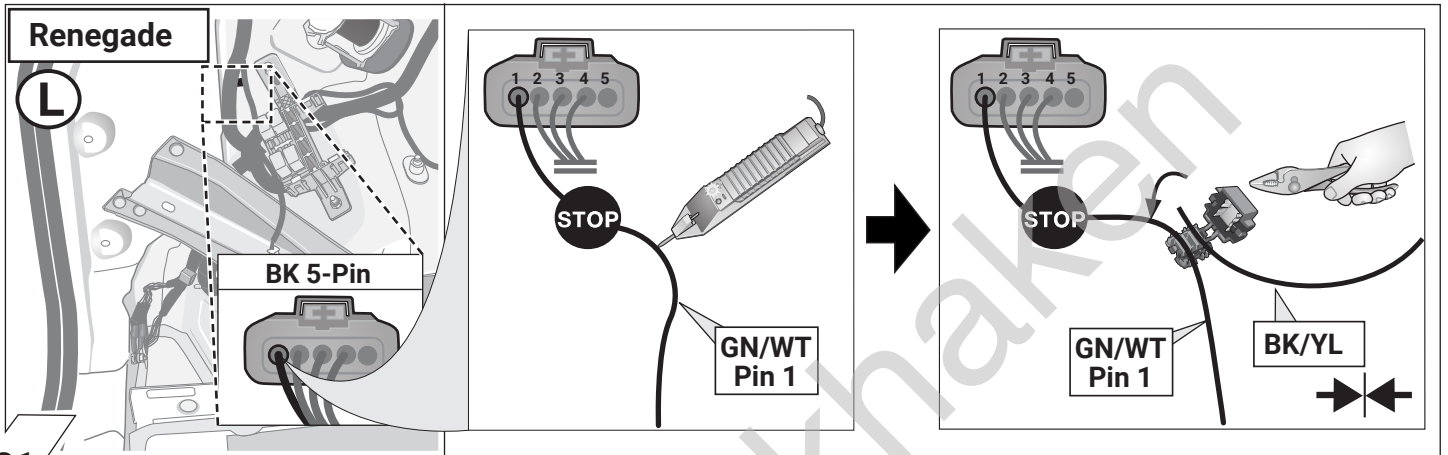
18



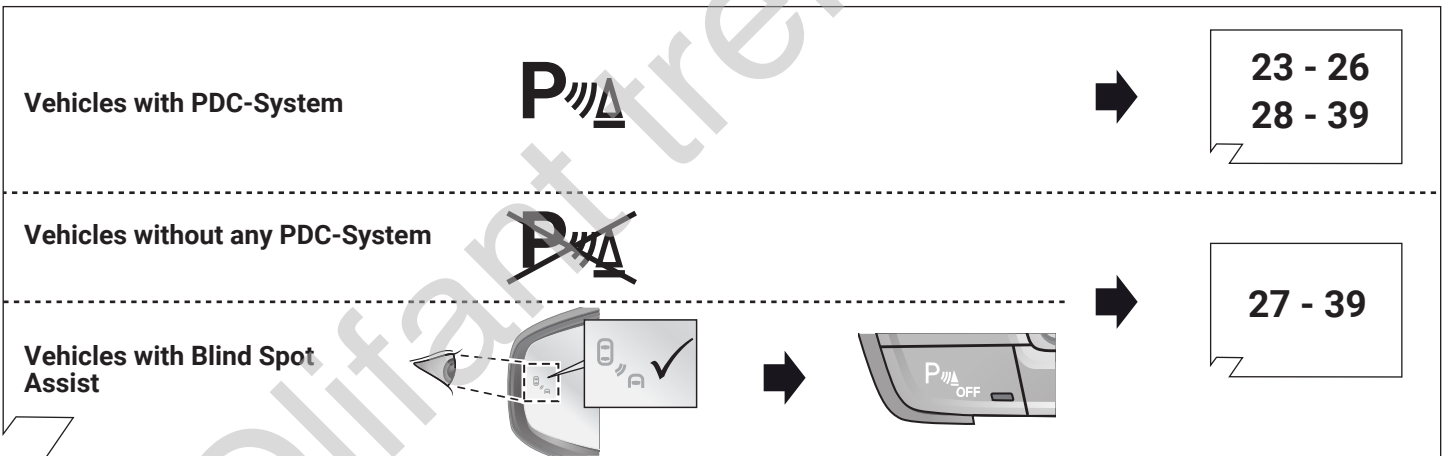
19



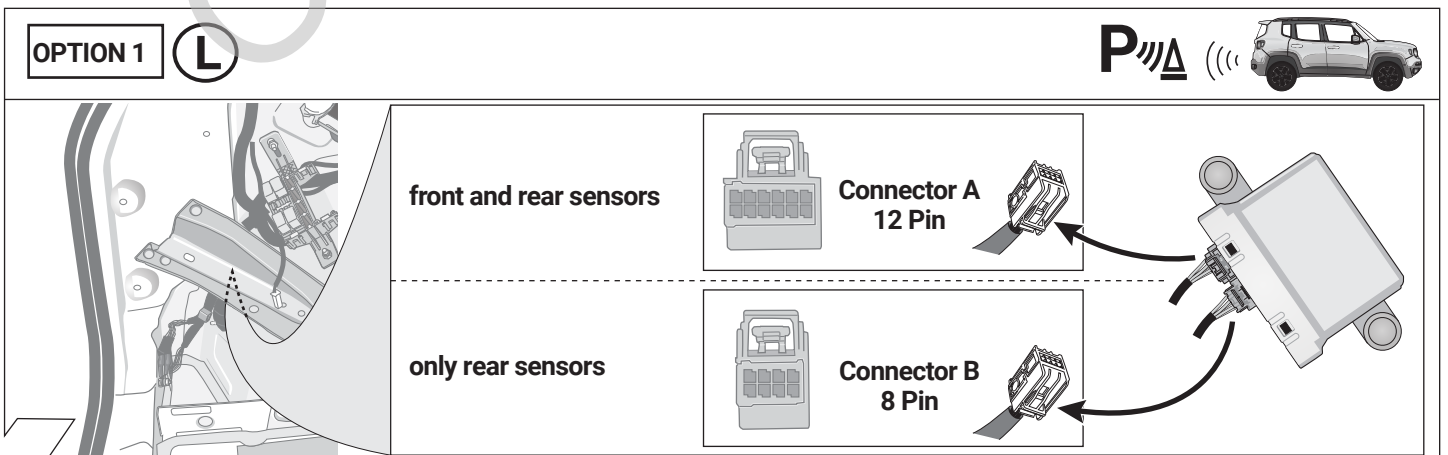
20



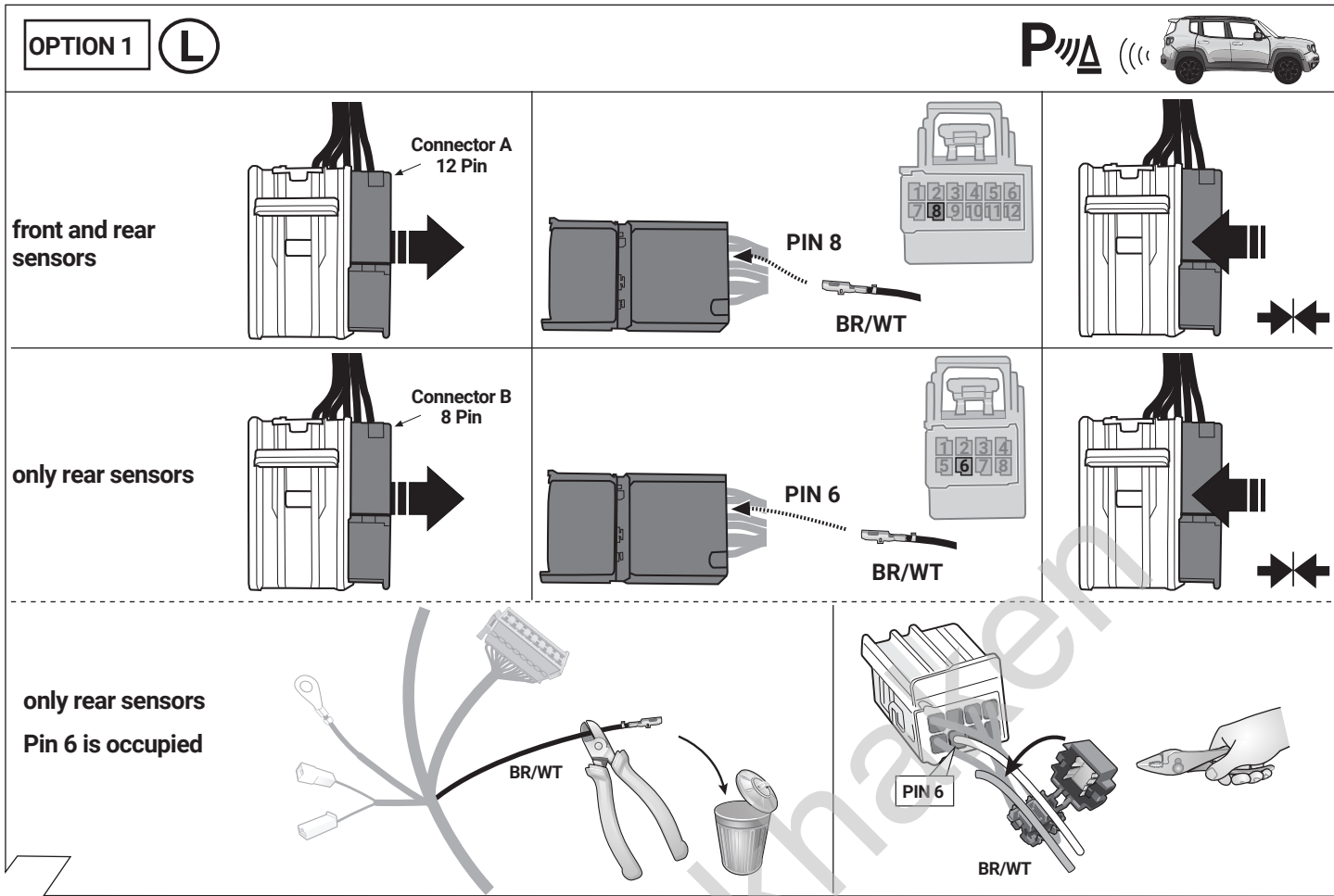
21



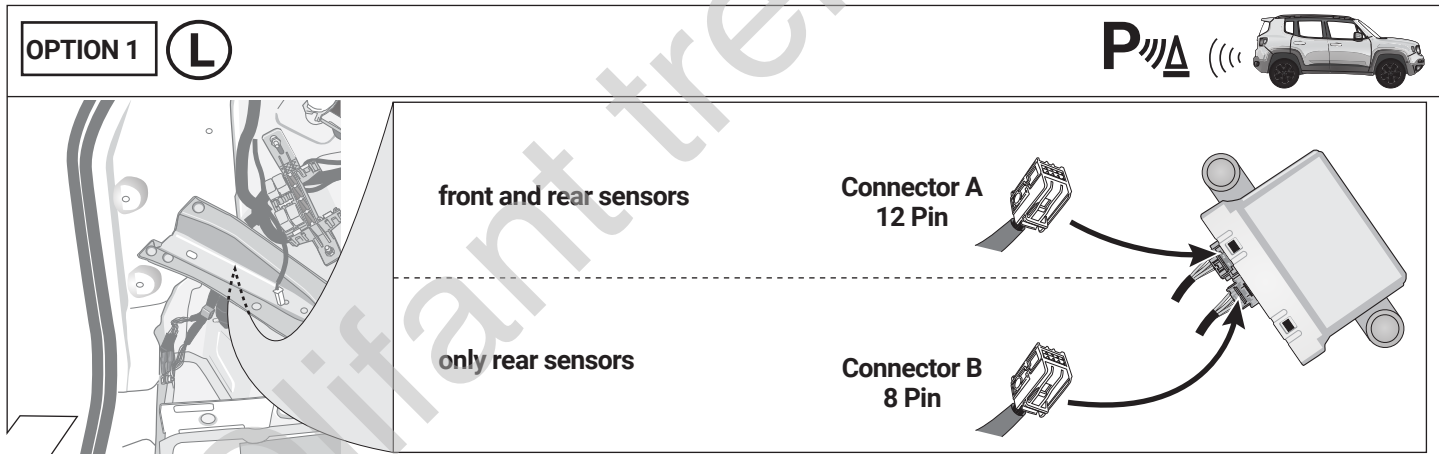
22



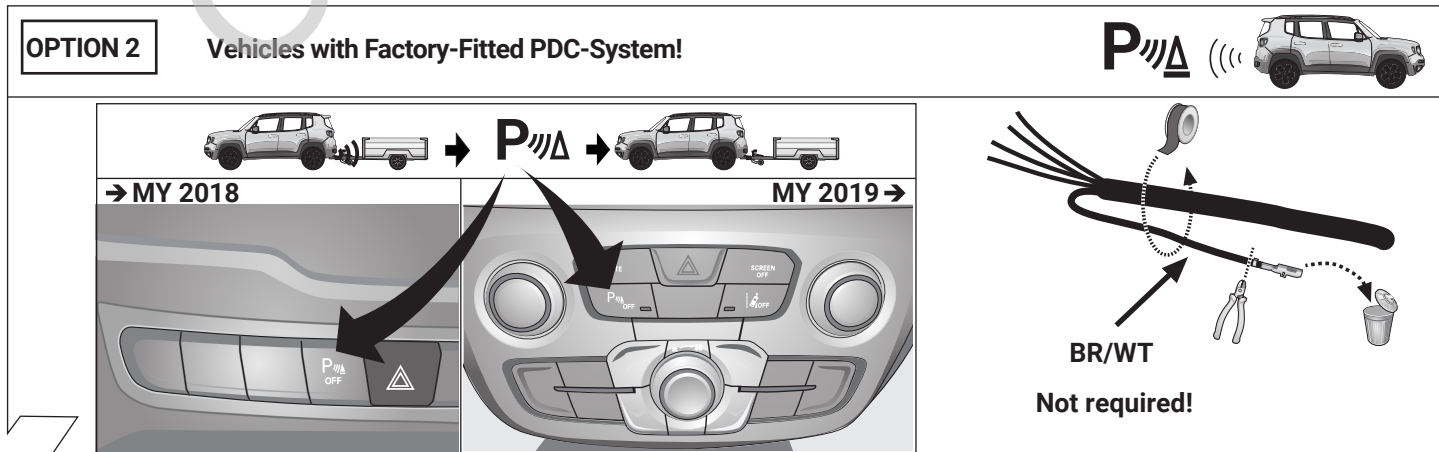
23



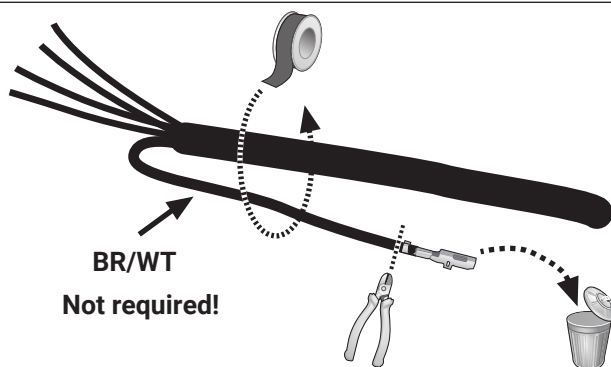
24



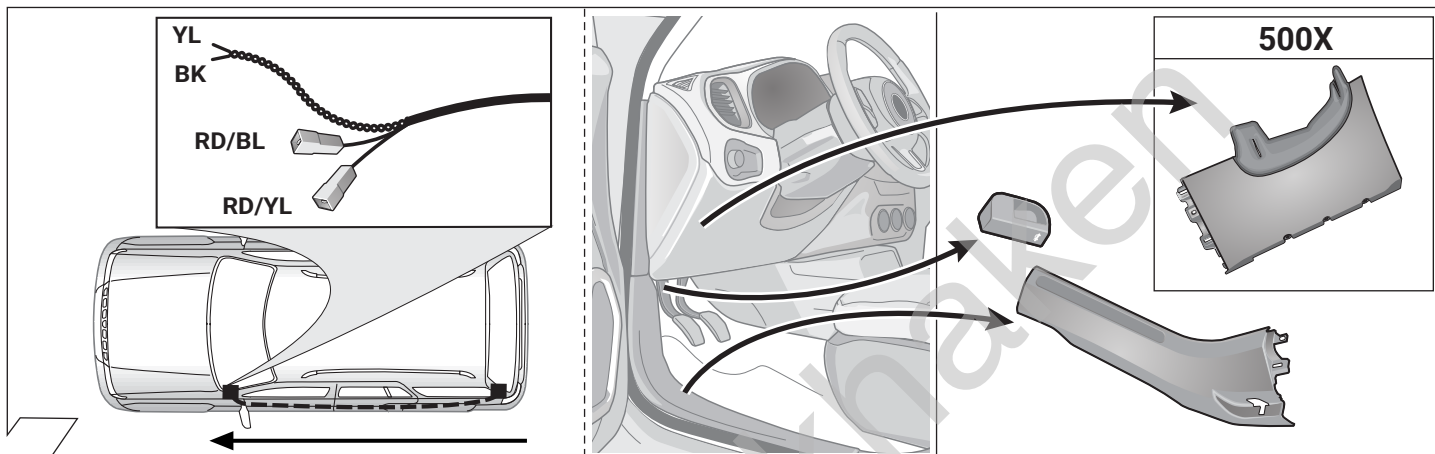
25



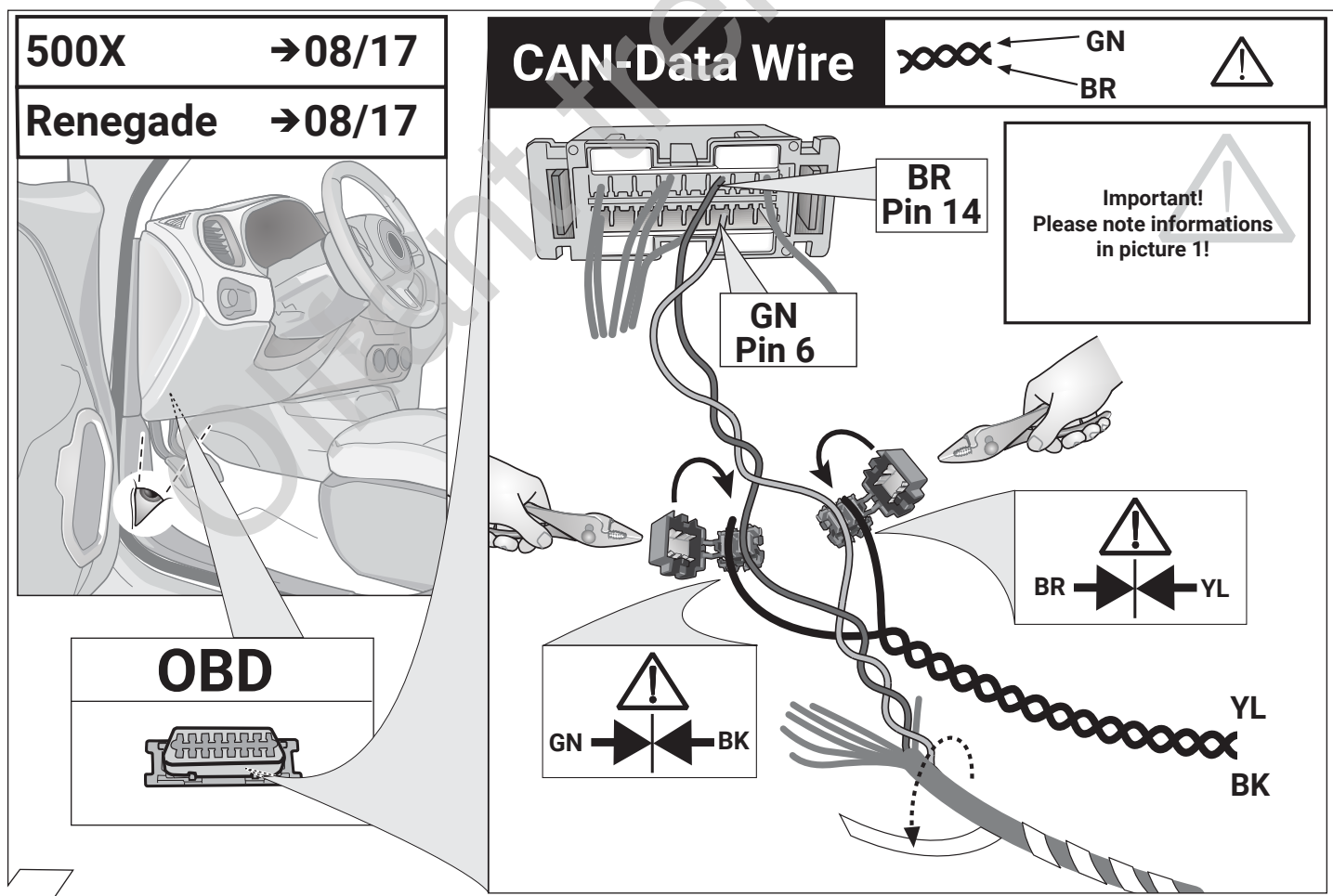
26



27



28

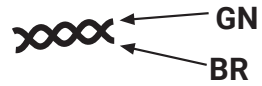


29

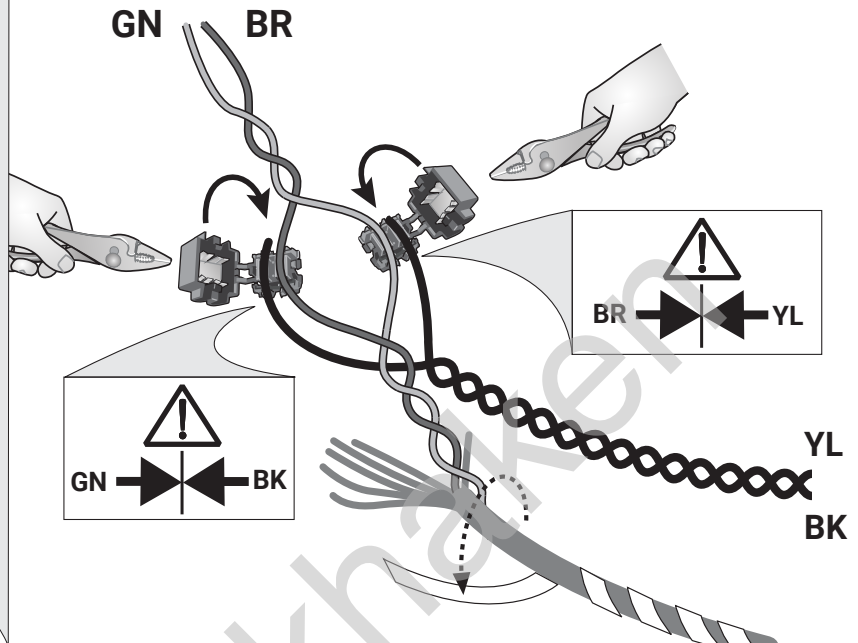
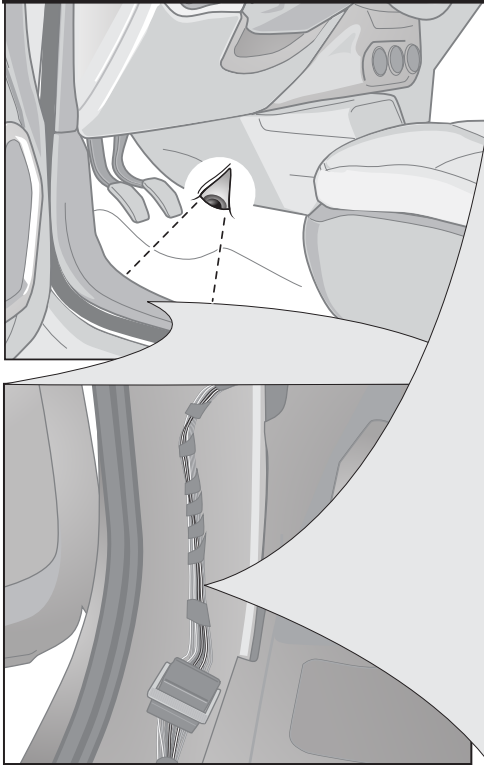
500X 09/17 →

Renegade 09/17 →

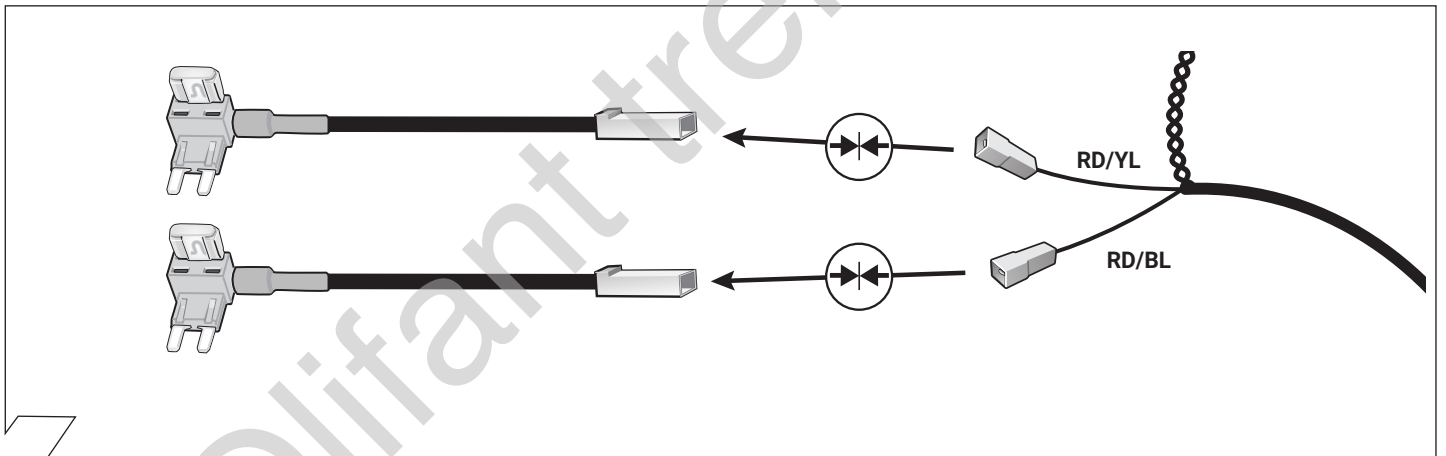
CAN-Data Wire



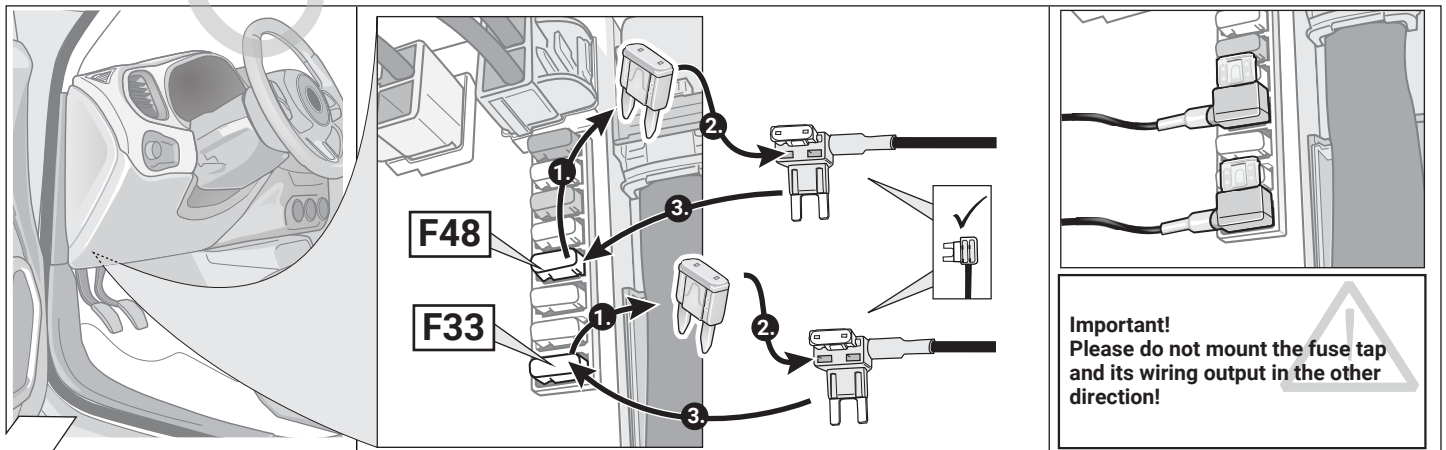
Important!
Please note informations in picture 1!



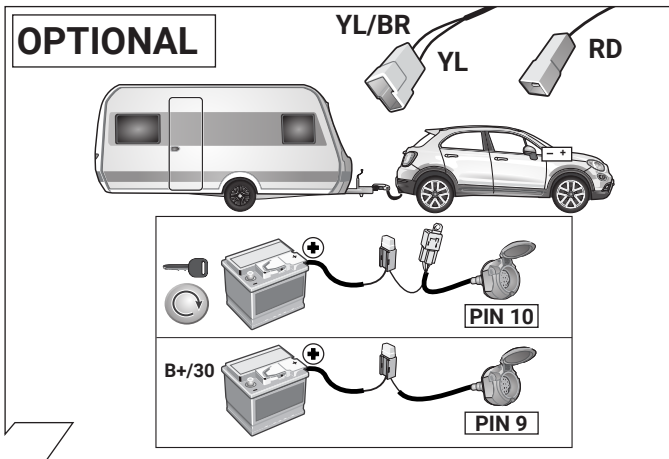
30



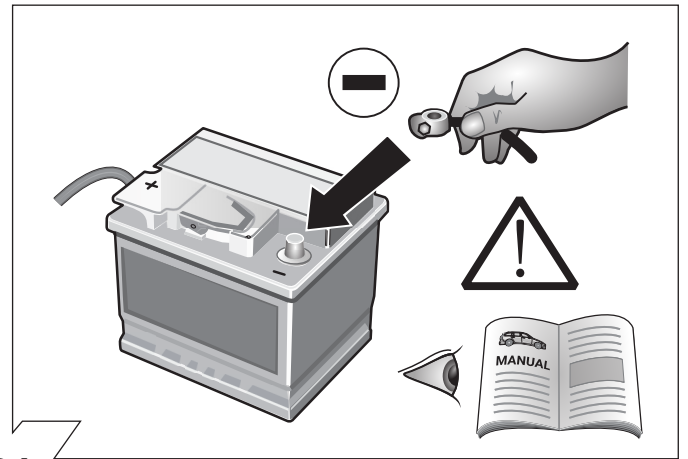
31



32



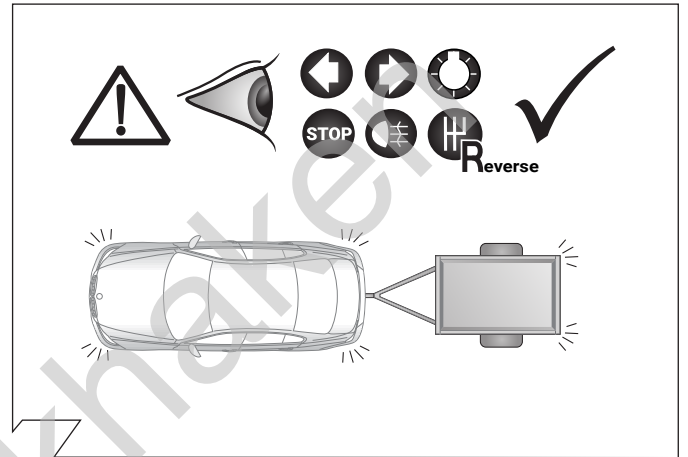
33



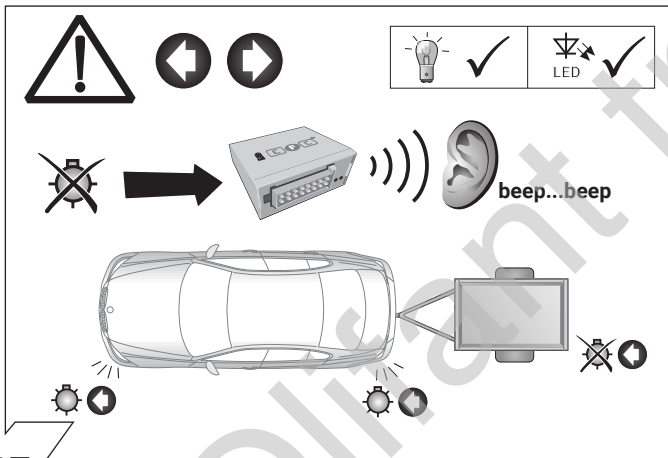
34



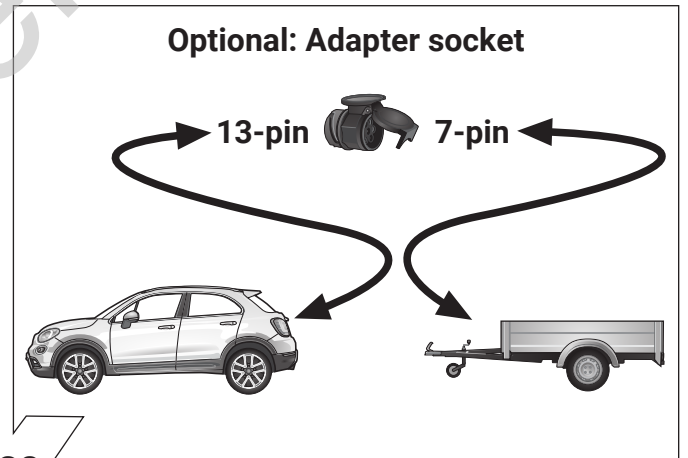
35



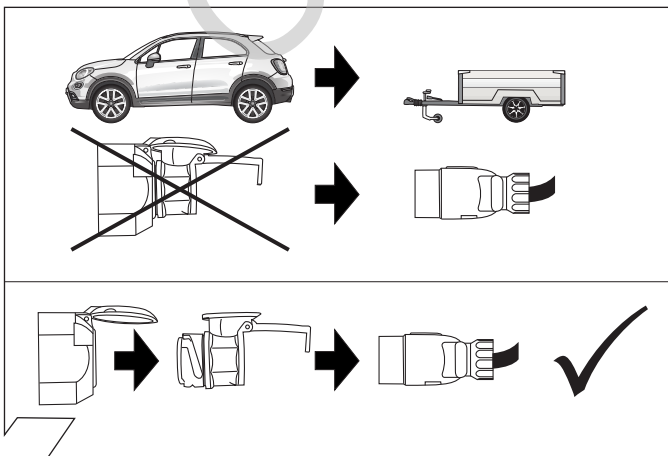
36



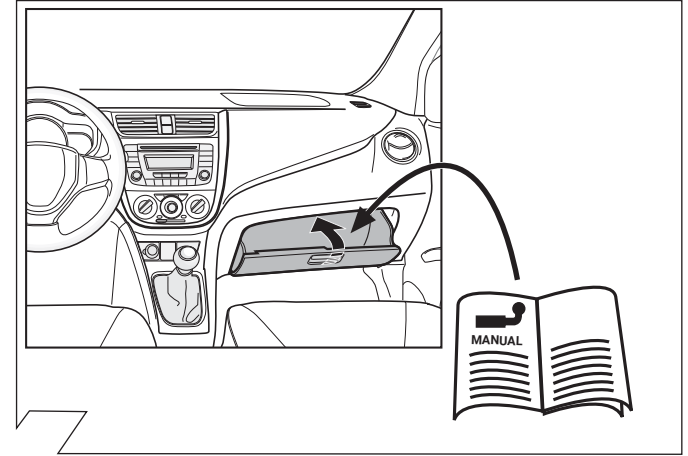
37



38



39



40