

**AUTO-HAK Sp. z o.o.**

ul. Słoneczna 16K 76-200 SŁUPSK  
POLAND

tel/fax +48 59 8 414 414; +48 59 8 414 413

e-mail: [office@autohak.com.pl](mailto:office@autohak.com.pl)

[www.autohak.com.pl](http://www.autohak.com.pl)



**AUTO-HAK**

**DACIA  
SANDERO III (+Stepway)**

Nr kat.

**G98A**



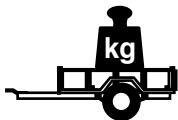
**10.2020 →**



**E20-55R-02 6144**



**6,47 kN**



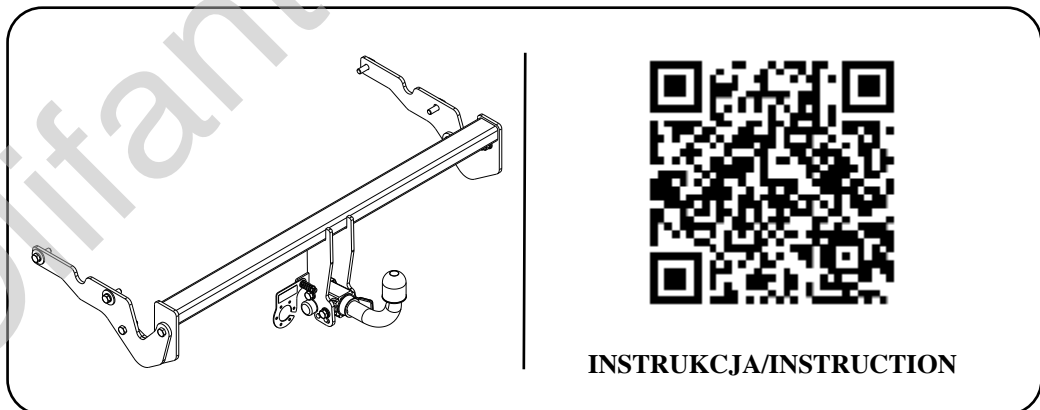
**R=1100 kg**



**S=75 kg**



**2h**



INSTRUKCJA/INSTRUCTION



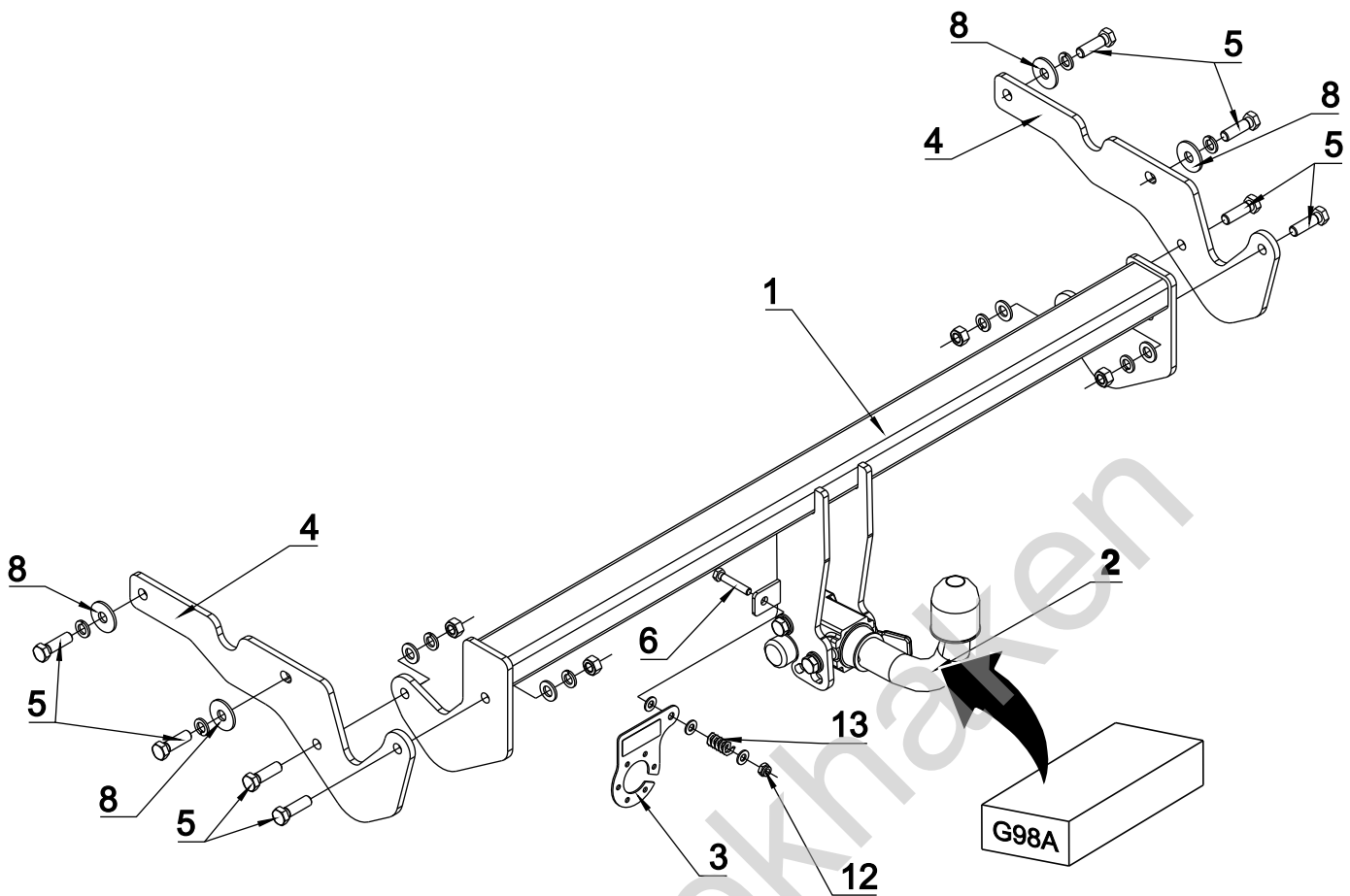
śruba Nm	M6	M8	M10	M12	M14	M16
klasa 8.8	9,9	24	48	83	132	200
klasa 10.9	14	34	67	117	185	285

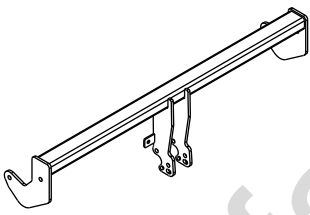

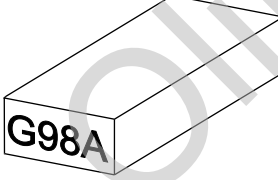

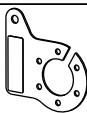

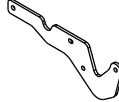
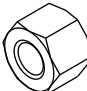



**0 km →**



**1000 km**



1		x1		5	M12x40	x8
				6	M8x45	x1
2		x1		7	∅ 13	x4
				8	∅ 37x∅13x3 13 DIN 9021	x4
3		x1		9	∅ 8.4	x3
				10	∅ 12.2	x8
4		x2		11	M12	x4
				12	M8 (DIN985)	x1
			13		x1	

