

# AUTO-HAK Sp. z o.o.

ul. Słoneczna 16K 76-200 SŁUPSK  
POLAND

tel/fax +48 59 8 414 414; +48 59 8 414 413

e-mail: [office@autohak.com.pl](mailto:office@autohak.com.pl)

[www.autohak.com.pl](http://www.autohak.com.pl)



# AUTO-HAK

## CUPRA FORMENTOR (KM7)

Nr kat.

**SC50A**



08.2020 →



E20\*55R02\*6445



10,65 kN



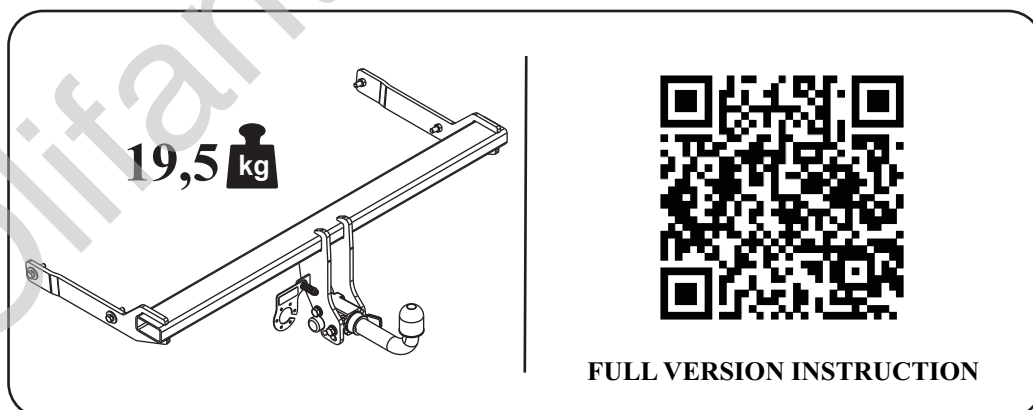
2h



R=2200 kg



S=110 kg



FULL VERSION INSTRUCTION



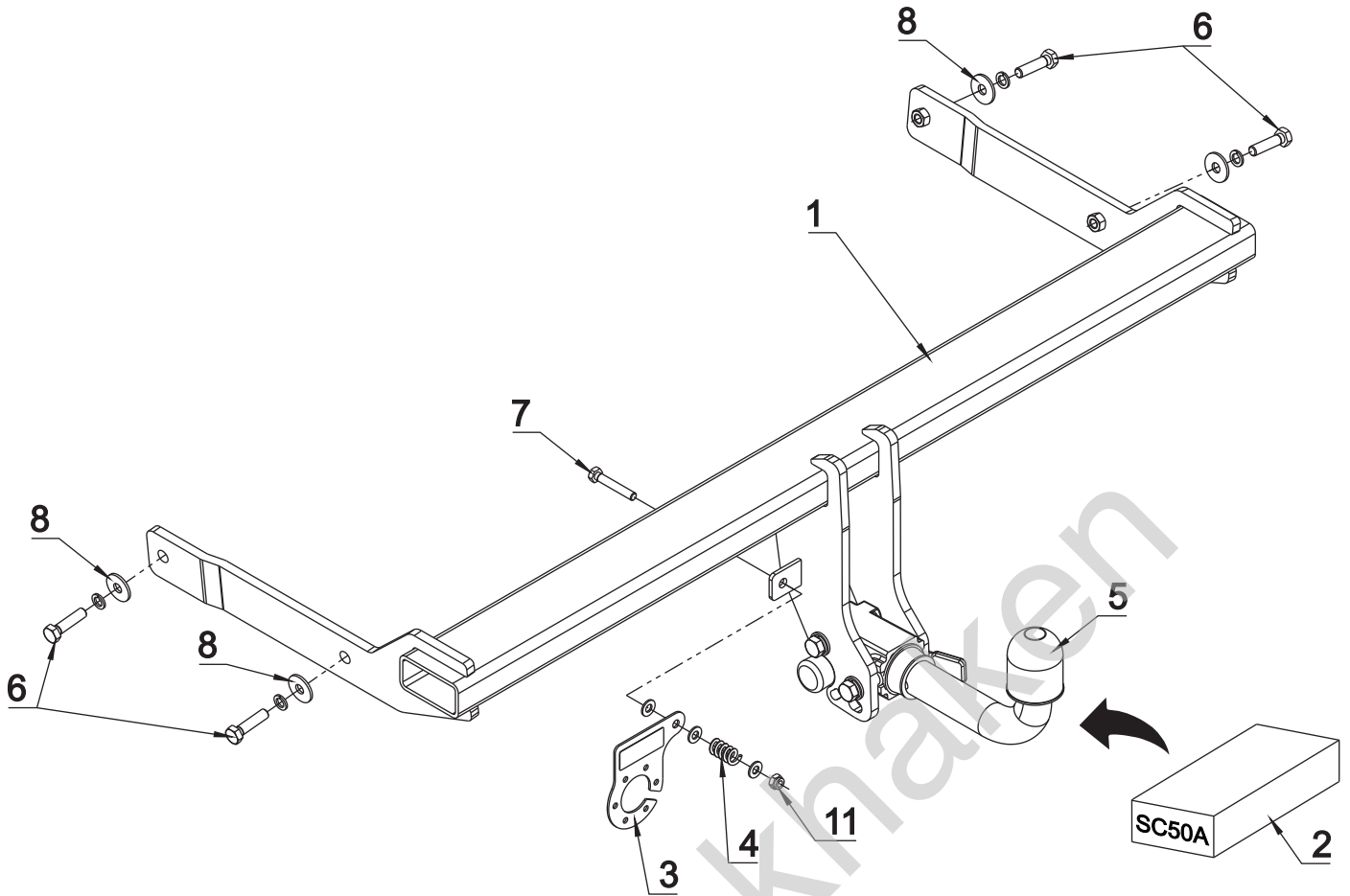
śruba	Nm	M6	M8	M10	M12	M14	M16
klasa 8.8		9,9	24	48	83	132	200
klasa 10.9		14	34	67	117	185	285



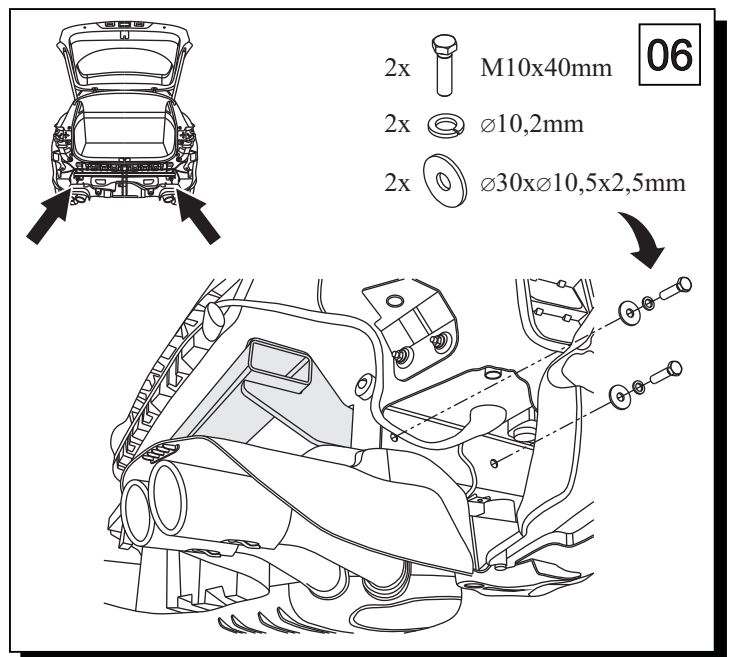
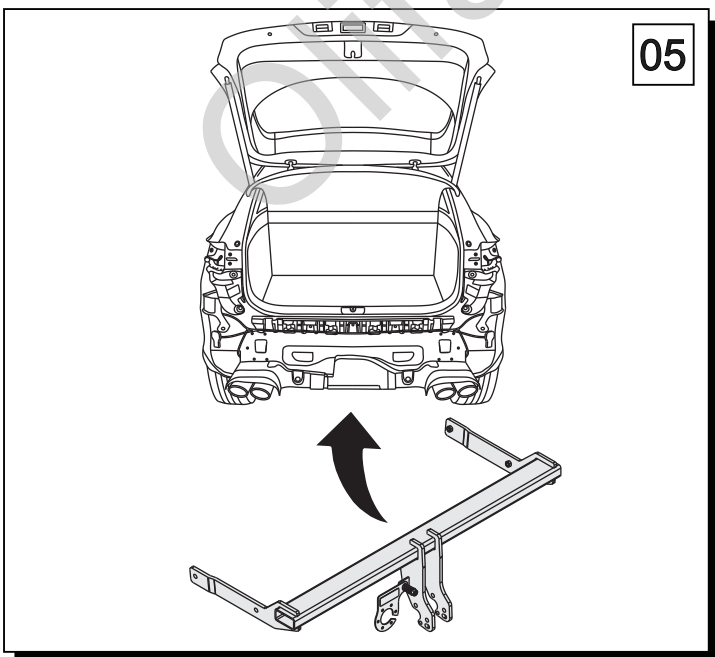
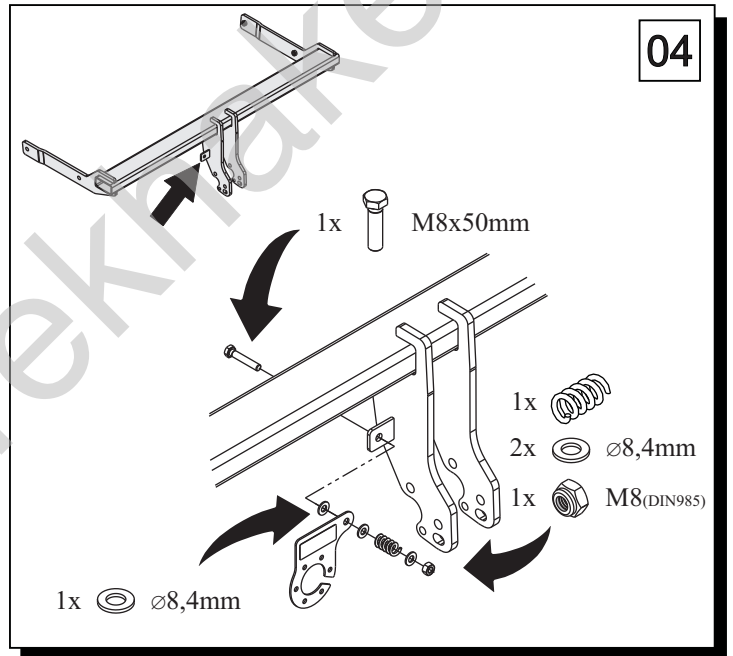
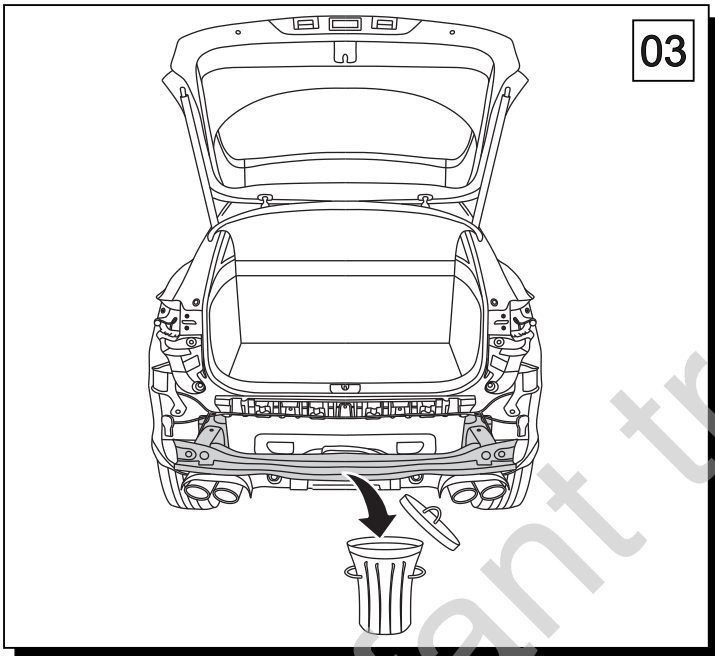
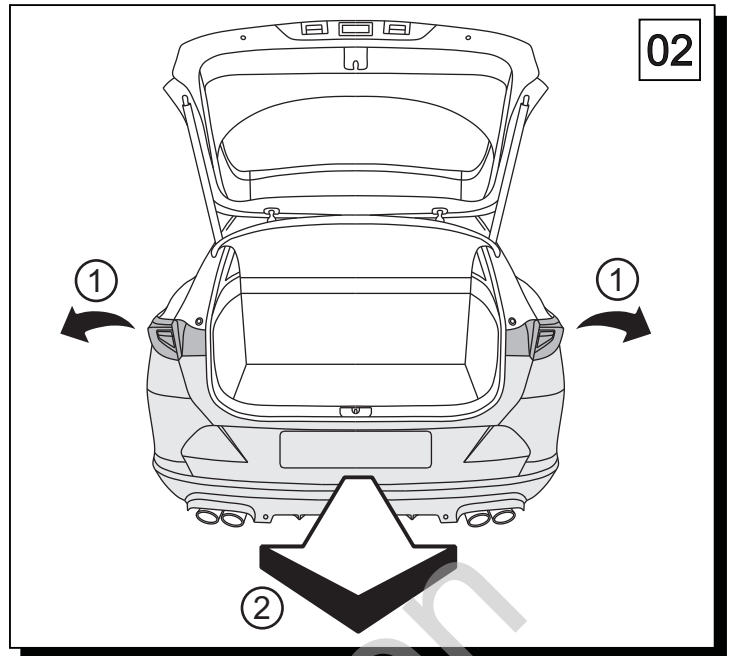
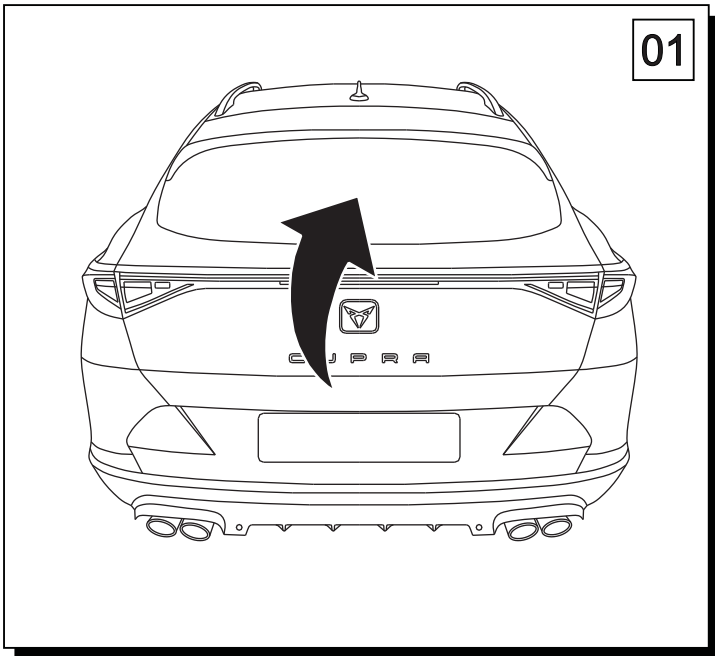
0 km →

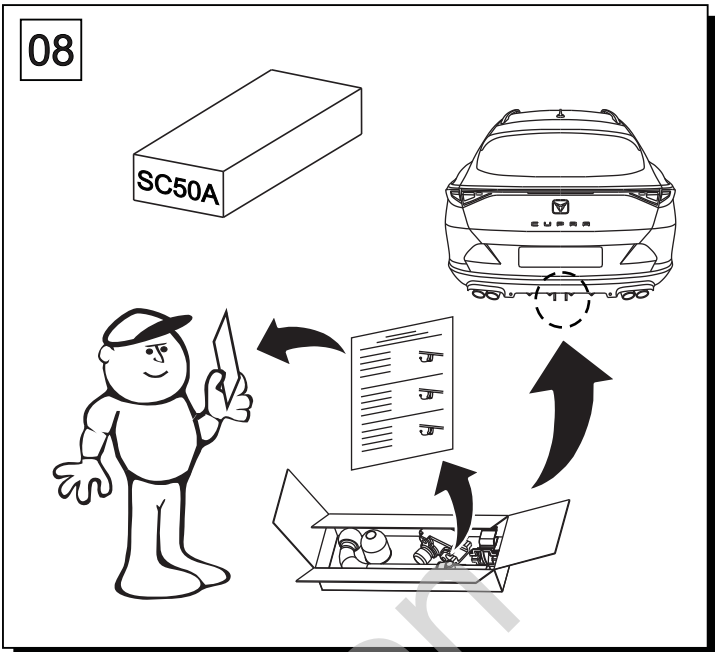
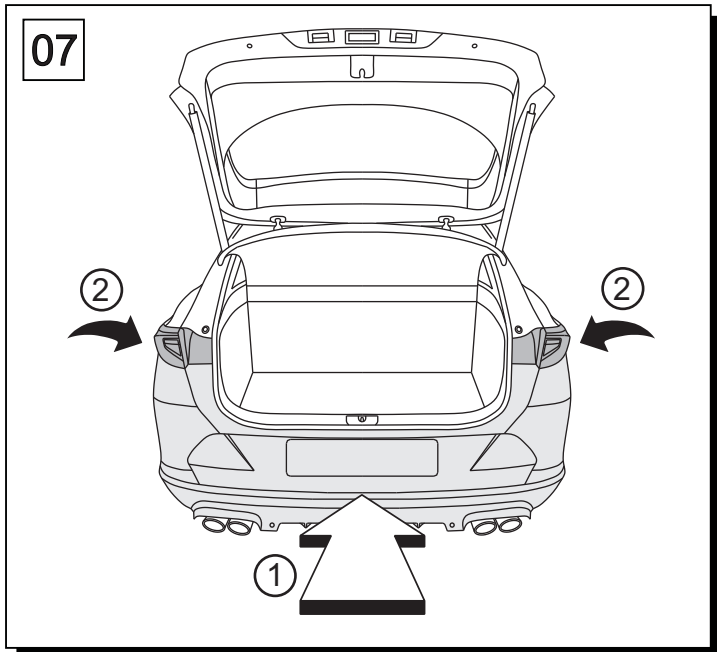


1000 km



<b>1</b> 	<b>x 1</b>		<b>6</b> M 10x40	<b>x 4</b>	
				<b>7</b> M 8x50	<b>x 1</b>
				<b>8</b> $\phi$ 30x $\phi$ 10.5x2.5 10 DIN 9021	<b>4</b>
				<b>9</b> $\phi$ 8.4	<b>x 3</b>
<b>2</b>  Art.nr-KL1SC50A	<b>x 1</b>		<b>10</b> $\phi$ 10.2	<b>x 4</b>	
				<b>11</b> M 8 (DIN985)	<b>x 1</b>
		<b>3</b>		<b>x 1</b>	 Art.nr-BL12SC50A
<b>4</b>	<b>x 1</b>				
<b>5</b>	<b>x 1</b>				





Olifant trekhakeri