

PPUH AUTO-HAK Sp.J.

Henryk i Zbigniew Nejman
ul. Słoneczna 16K 76-200 SŁUPSK
POLAND

tel/fax +48 59 8 414 414; +48 59 8 414 413

e-mail: office@autohak.com.pl

www.autohak.com.pl



AUTO-HAK

MITSUBISHI OUTLANDER (CW)

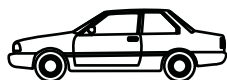
04.2007 → 09.2012

PEUGEOT 4007

09.2007 → 08.2012

CITROEN C-CROSSER SUV

09.2007 → 08.2012



Cat. no:

Z38A

e20

e20*94/20*0340*00



2h

D

11,0 kN



-



R=2000 kg

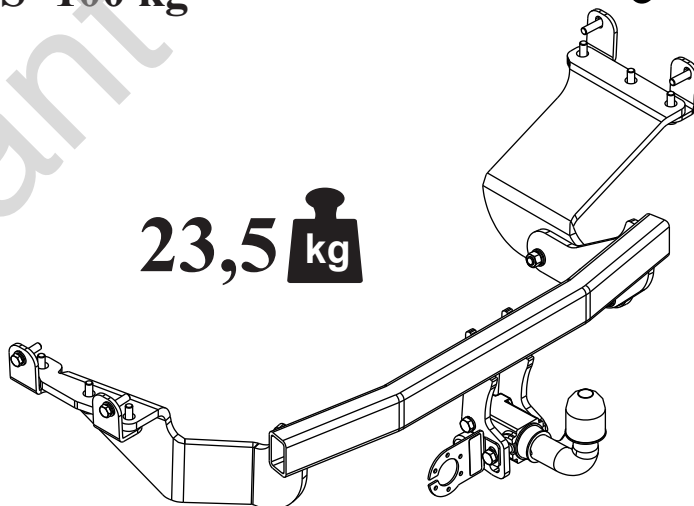


✓



S=100 kg

23,5 kg



M6 - 11 Nm
M10 - 50 Nm
M14 - 138 Nm

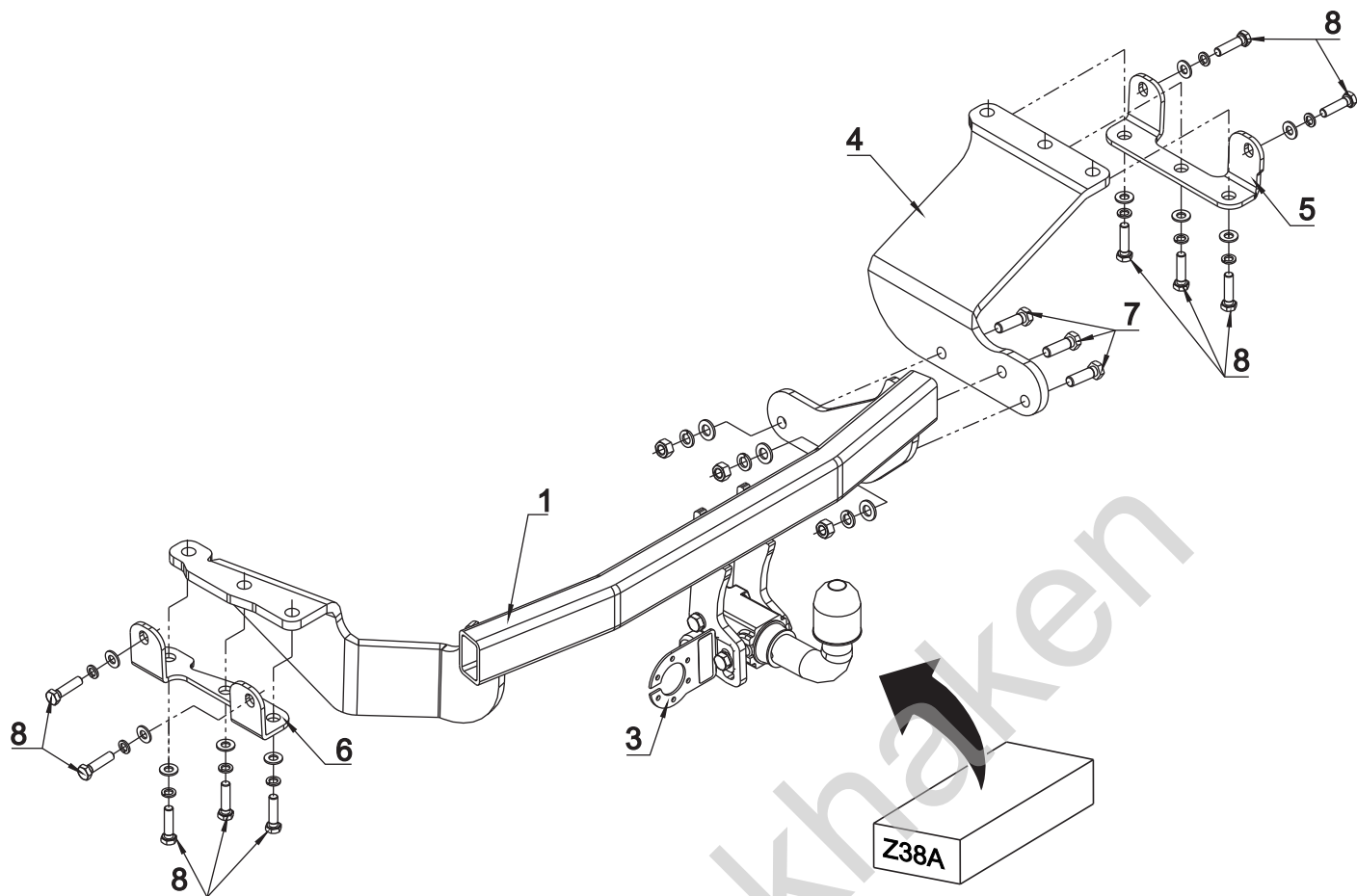
M8 - 25 Nm
M12 - 87 Nm
M16 - 210 Nm

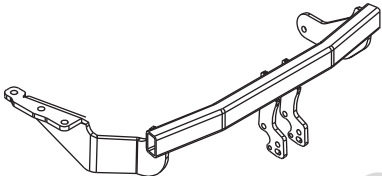

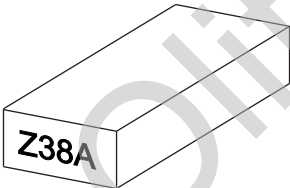

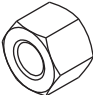
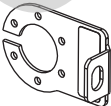
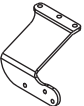
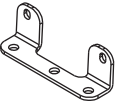
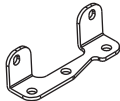


0 km →

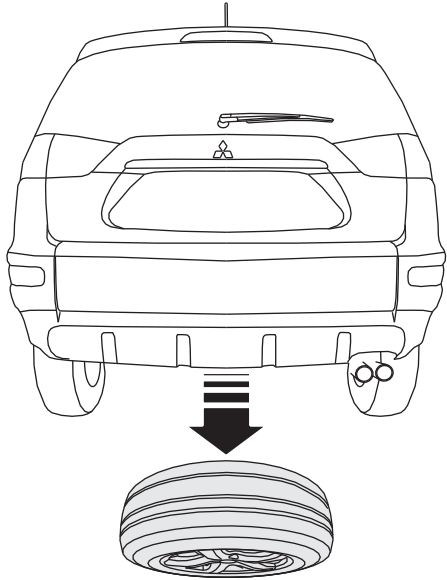


1000 km

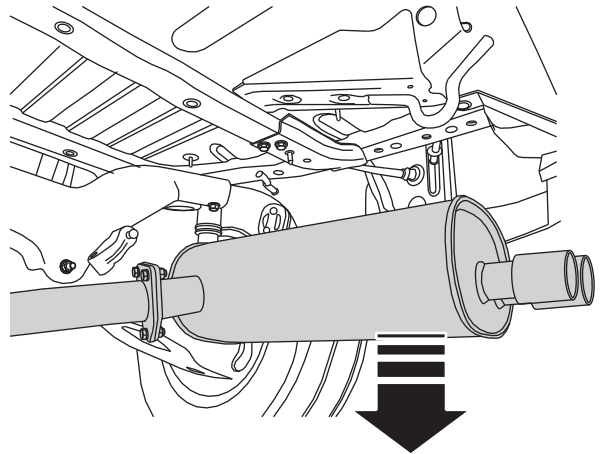


1		x1		7	M12x40	x3
				8	M10x1,25x40	x10
2		x1		9	∅ 13	x3
				10	∅ 10.5	x10
				11	∅ 12.2	x3
				12	∅ 10.2	x10
				13	M12	x3
3		x1				
		Art.nr-BL1Z38A				
4		x1				
5		x1				
6		x1				

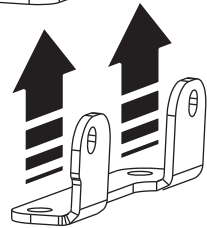
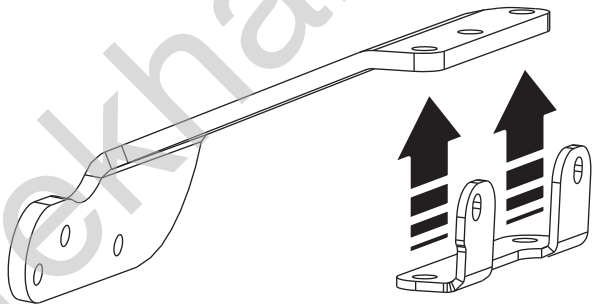
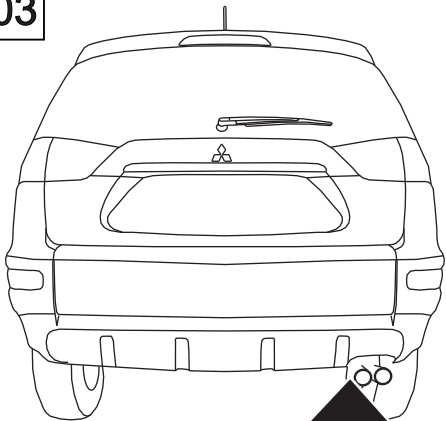
01






02



03



- 5x  M10x1,25x40mm
- 5x  Ø12,2mm
- 5x  Ø13mm

