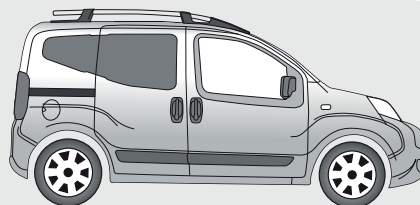


Nemo/Fiorino/Bipper 02/08 →



Nemo Combi/Qubo/Bipper Tepee 09/08 →

D

Produktübersicht
Elektro-Einbausatz für Anhängerkupplung / 13-polig / 12 Volt / ISO 11446

GB

Product overview
Electric wiring kit for towbars / 13-pin / 12 Volt / ISO 11446

F

Aperçu des produits
Faisceau pour attelage / 13 broches / 12 Volt / ISO 11446

I

Cerrellata dei prodotti
Cablaggio elettrico per ganci di traino / 13 poli / 12 Volt / ISO 11446

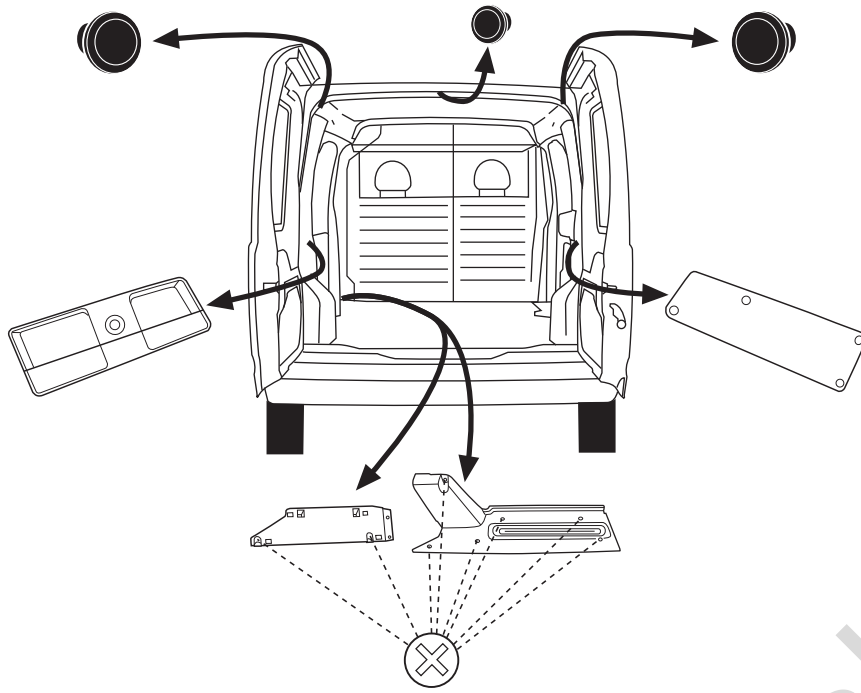
E

Descrpción del producto
Kits eléctricos para enganches de remolques / 13 pins / 12 Volt / ISO 11446

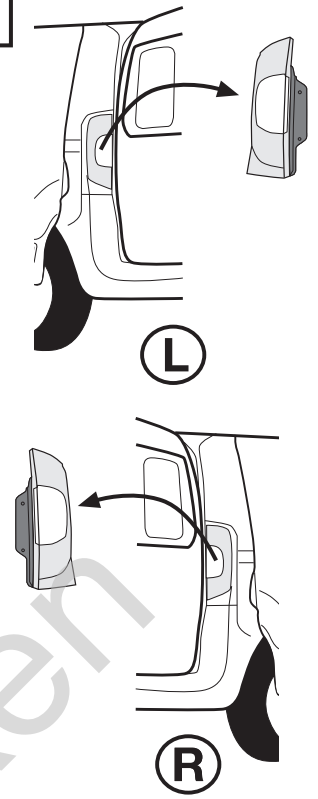
NL

Productoverzicht
Elektro-inbouwset voor aanhangerkoppeling / 13-polig / 12 Volt / ISO 11446

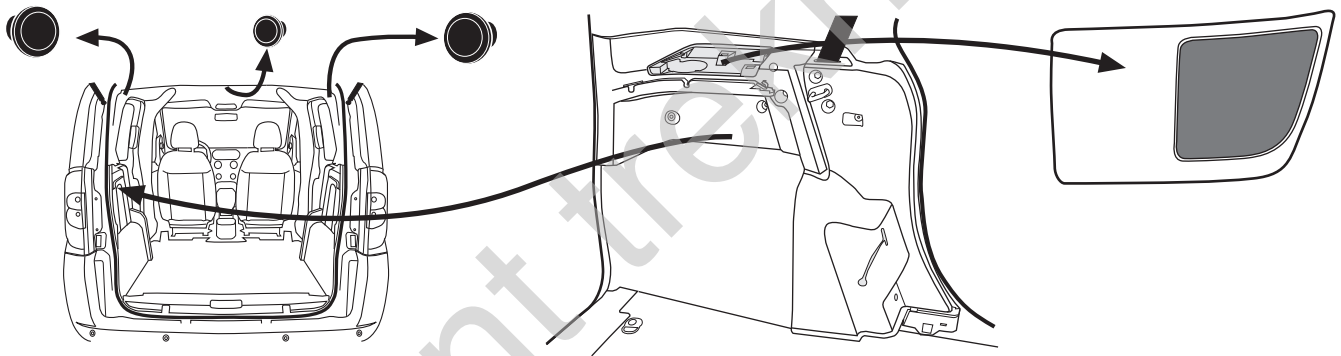
a Nemo / Fiorino / Bipper



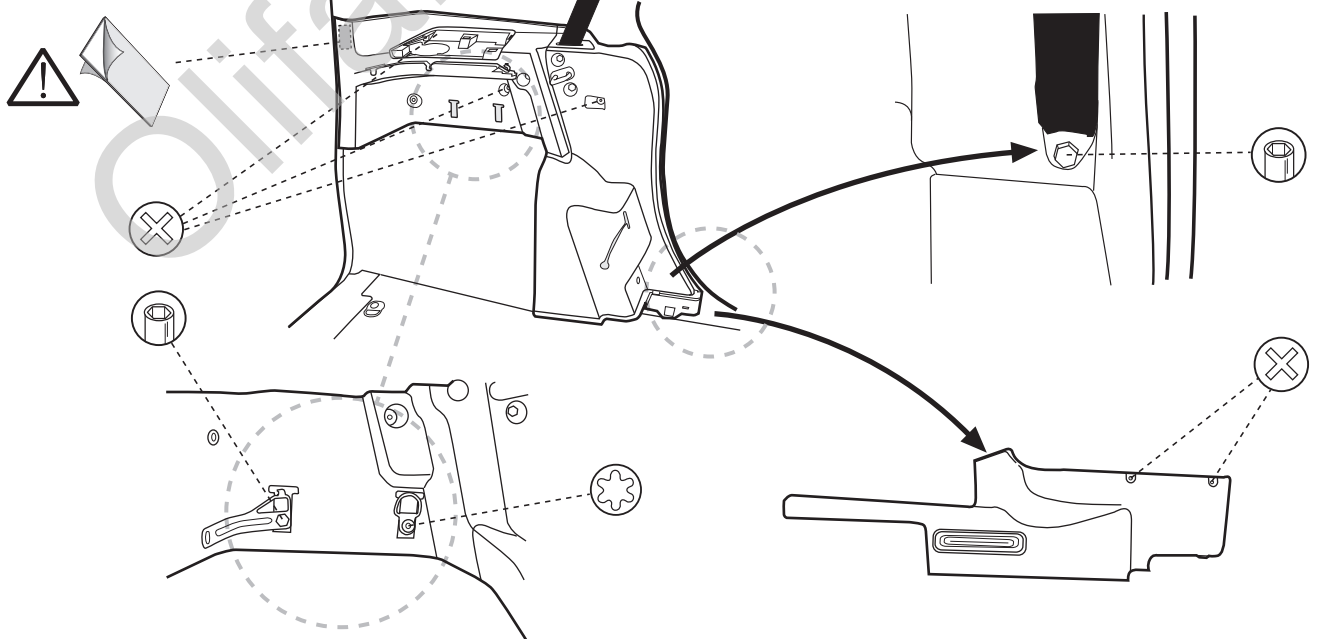
b



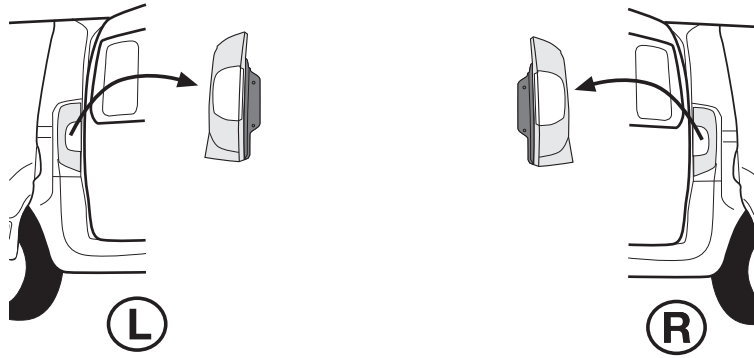
c Nemo Combi / Qubo / Bipper Tepee



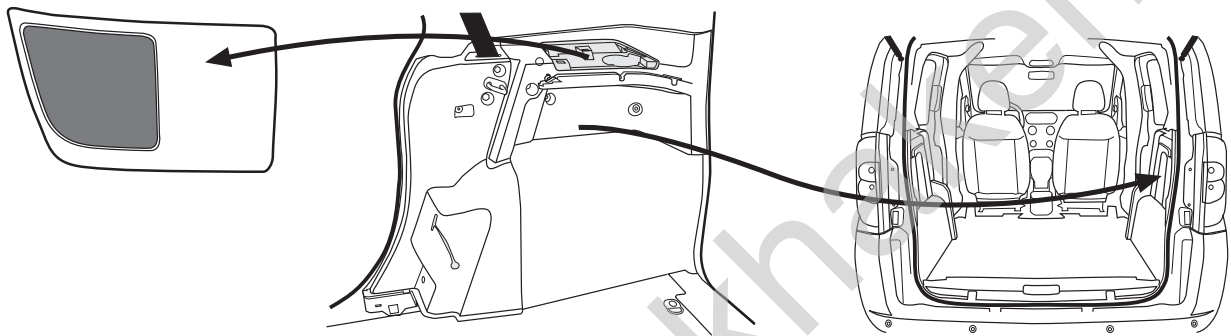
d



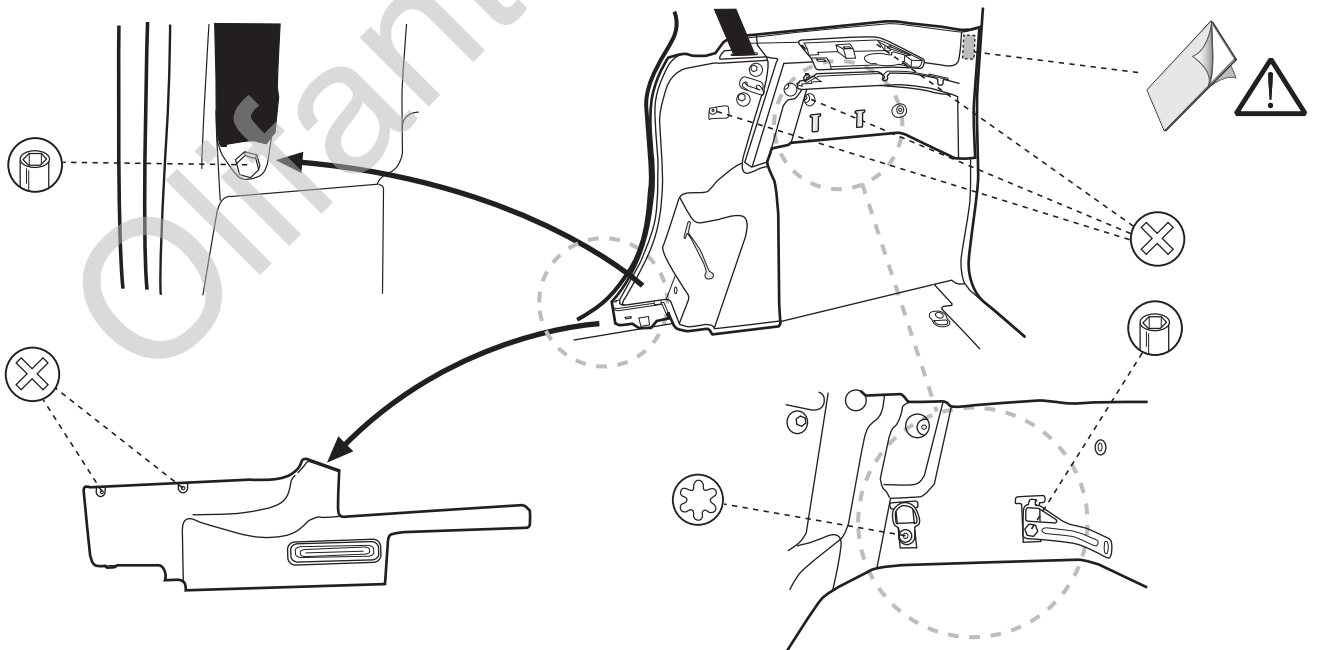
e Nemo Combi / Qubo / Bipper Tepee

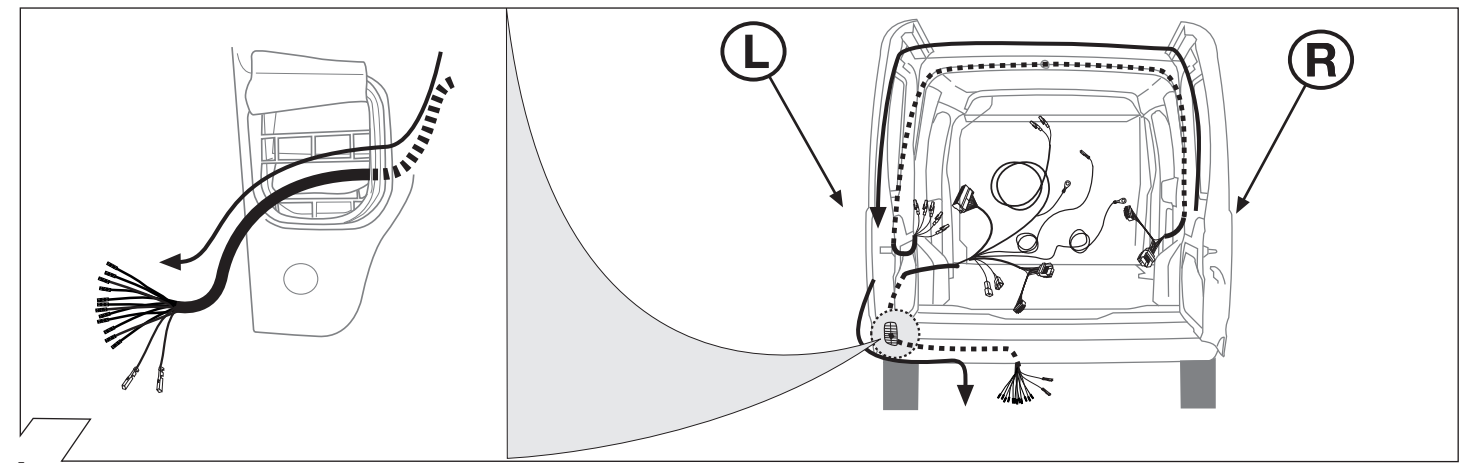


f



g

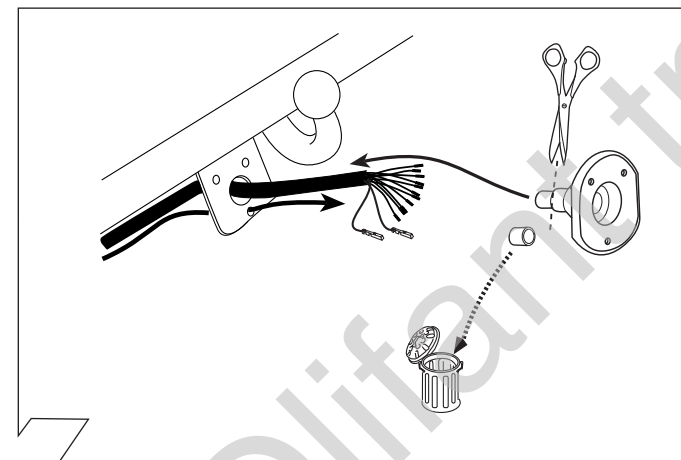




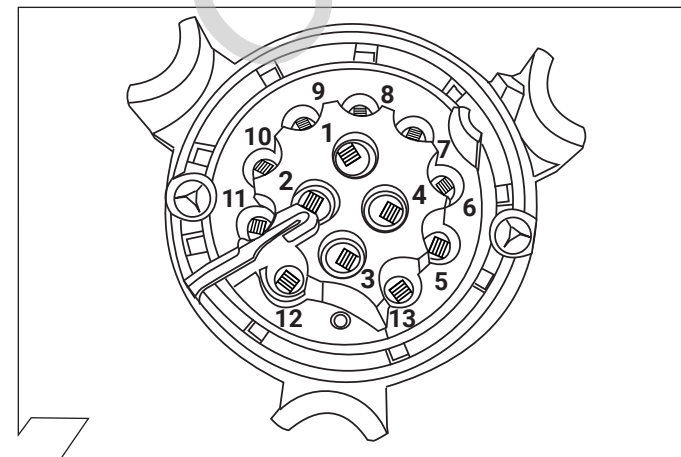
4

	GB	D	E	F	I	P	NL	DK	N	S	FIN	CZ	H	PL
BK	Black	Schwarz	Negro	Noir	Nero	Preto	Zwart	Sort	Svart	Svart	Musta	Černá	Fekete	Czarny
RD	Red	Rot	Rojo	Rouge	Rosso	Vermelho	Rood	Rød	Rød	Röd	Punainen	Červená	Piros	Czerwony
GN	Green	Grün	Verde	Vert	Verde	Verde	Groen	Grøn	Grønt	Grön	Vihreä	Zelená	Zöld	Zielony
OR	Orange	Orange	Naranja	Orange	Arancione	Laranja	Oranje	Orange	Orange	Orange	Oranssi	Oranzová	Narancs	Pomarańczowy
VT	Violet	Violett	Violeta	Violet	Viola	Violeta	Violet	Violet	Fiolett	Violett	Violetti	Fialová	Ibolya	Fioletowy
PK	Pink	Pink	Pink	Rose	Rosa	Cor-de-Rosa	Paars	Pink	Pink	Rosa	Pinkki	Růžová	Rózsaszín	Różowy
BL	Blue	Blau	Azul	Bleu	Blu	Azul	Blauw	Blå	Blått	Blá	Sininen	Modrá	Kék	Niebieski
YL	Yellow	Gelb	Amarillo	Jaune	Giallo	Amarelo	Geel	Gul	Gult	Gul	Keltainen	Zlutá	Sárga	Żółty
WT	White	Weiss	Blanco	Blanc	Bianco	Branco	Wit	Hvid	Hvitt	Vt	Valkoinen	Bílá	Fehér	Biały
BR	Brown	Braun	Marrón	Brun	Marrone	Marrom	Bruin	Brün	Brunt	Brun	Ruskea	Hnědá	Barna	Brazowy
GY	Grey	Grau	Gris	Gris	Grigio	Cinzeno	Grijs	Grå	Grått	Grå	Harmaa	Sedá	Szürke	Szary

5



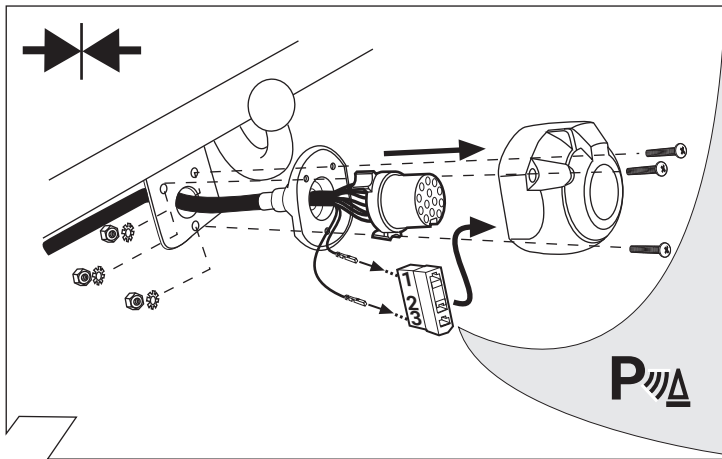
6



7

ISO 11446	Belegung der Steckdose / Maximale Ausgangsleistung Socket configuration / Maximum power output Correspondance des contacts de la prise / Puissance de sortie maximale Abbinamento della presa / Uscita di alimentazione massima Indeling van de stekkerdoos / maximaal uitgangsvermogen			
	1/L	BK/WT	21W	
	2	WT	42W	
	3/31	BR	21W	
	4/R	BK/GN	21W	
	5/58-R	GY/RD	52W	
	6/54	BK/RD	63W	
	7/58-L	GY/BK	52W	
	8	BL/RD	42W	
	9	RD	240W	
	10	YL	180W	
	11	YL/BR	21W	
	12	WT	42W	
	13	RD/BR	21W	

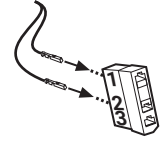
8



9

OPTION 1

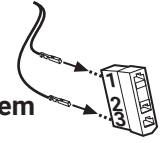
Vehicles with
Factory fitted PDC-System



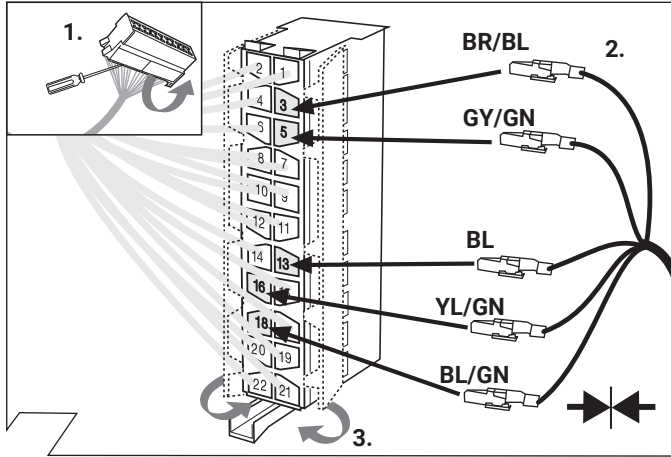
1 = WT/RD
2 = WT/BK

OPTION 2

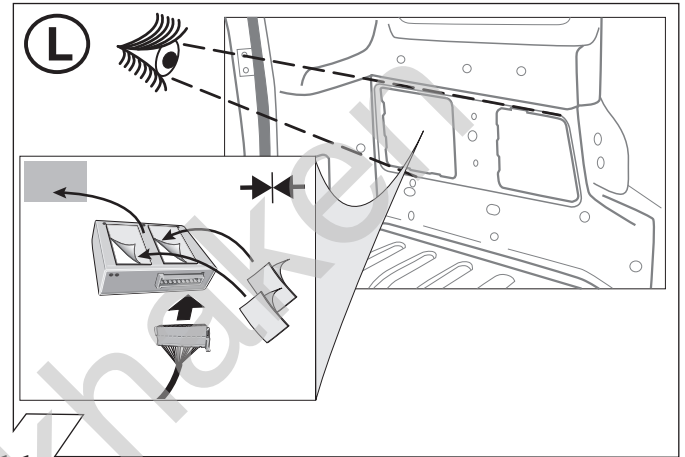
Vehicles with
aftermarket fitted PDC-System



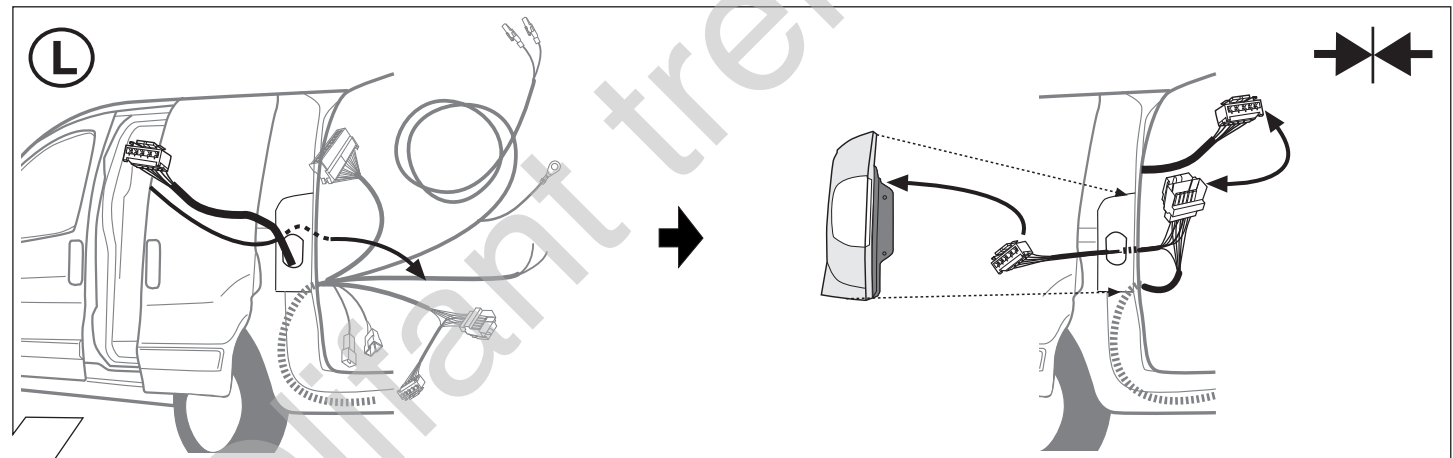
1 = WT/RD
3 = WT/BK



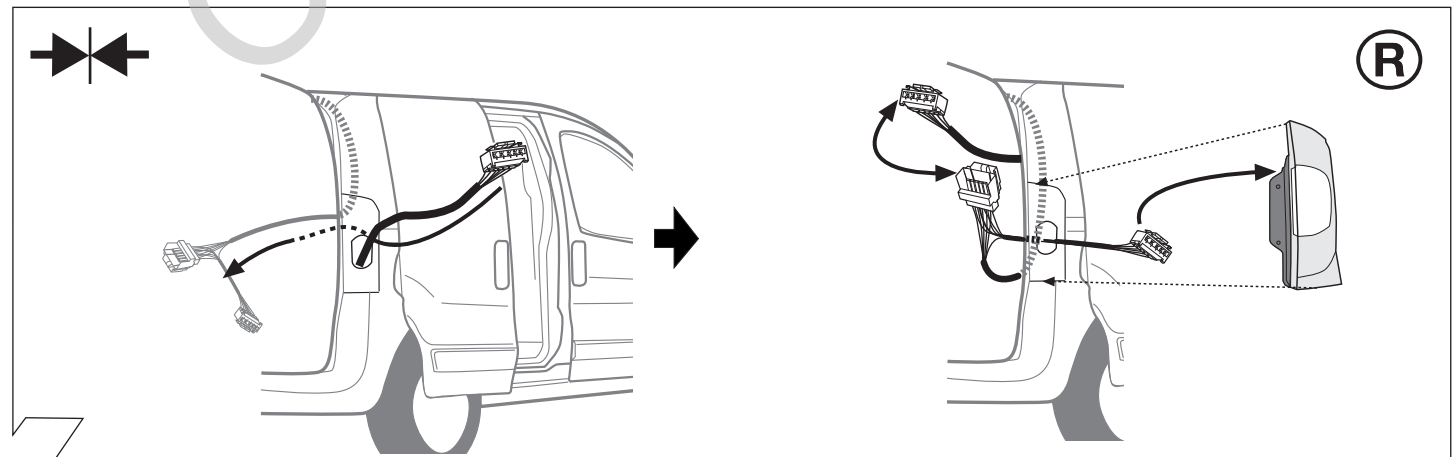
10



11



12



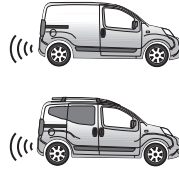
13

Vehicles with
Factory fitted PDC-System



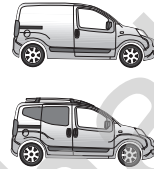
OPTION 1

Vehicles with
aftermarket fitted PDC-System



OPTION 2

Vehicles without
PDC-System



OPTION 3

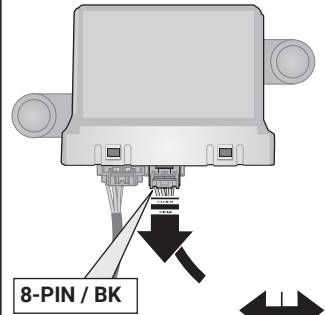
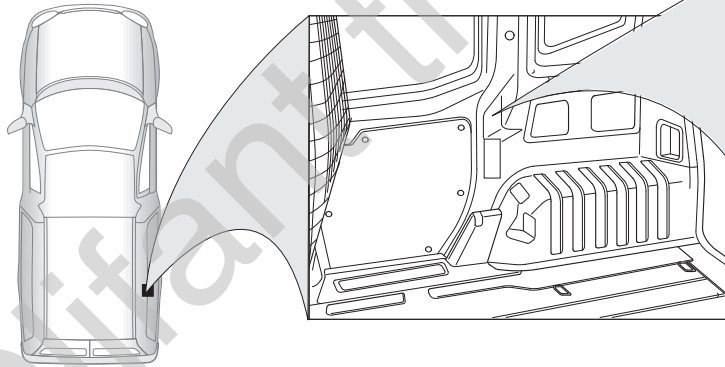
14

OPTION 1

WT/BK

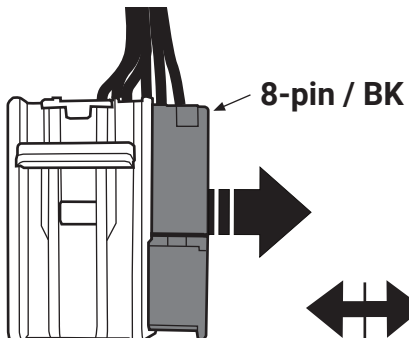


Important!
Please note
picture 9!



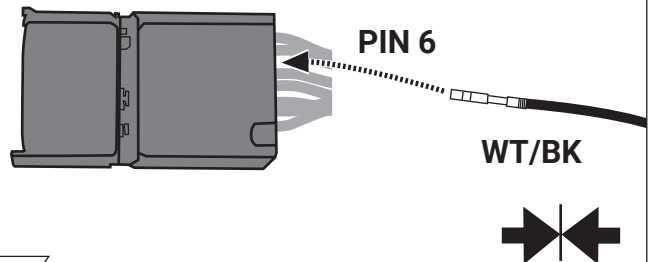
15

OPTION 1

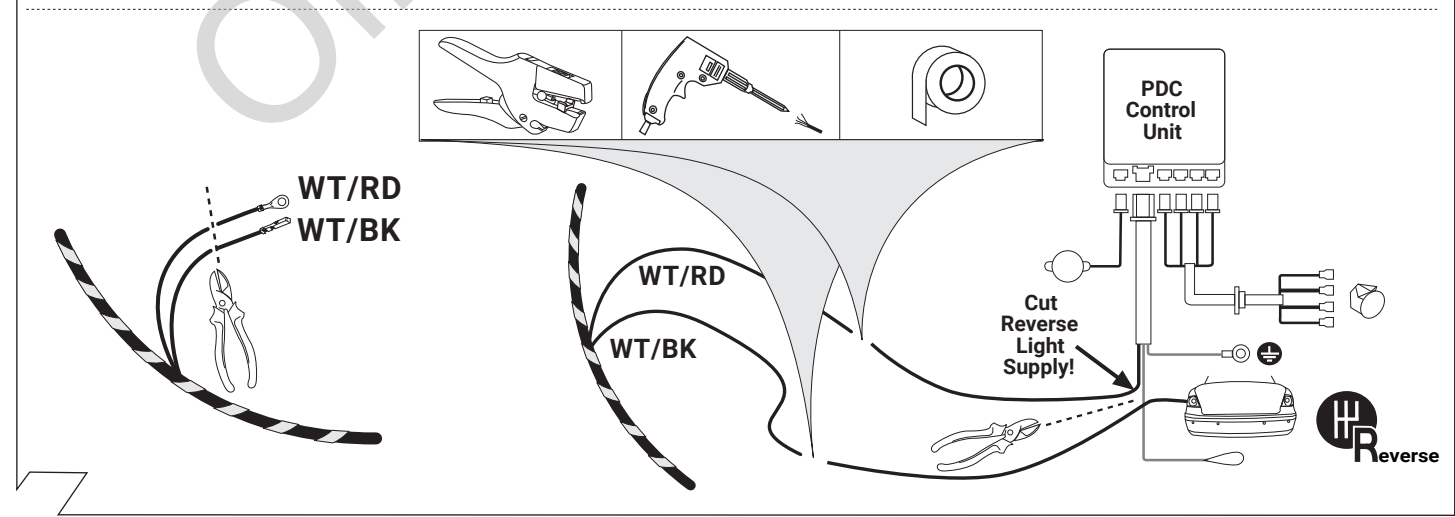
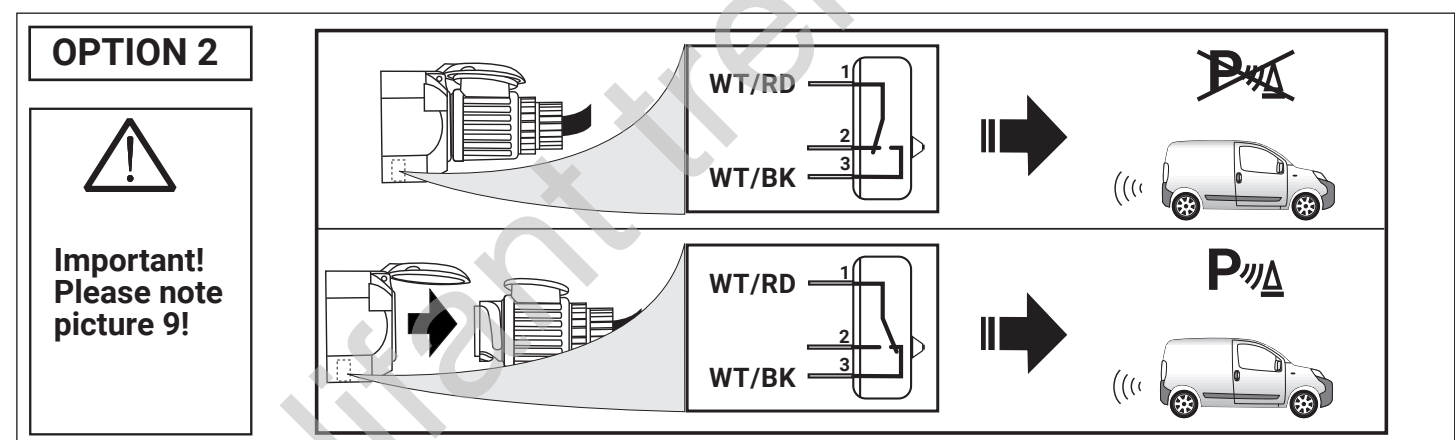
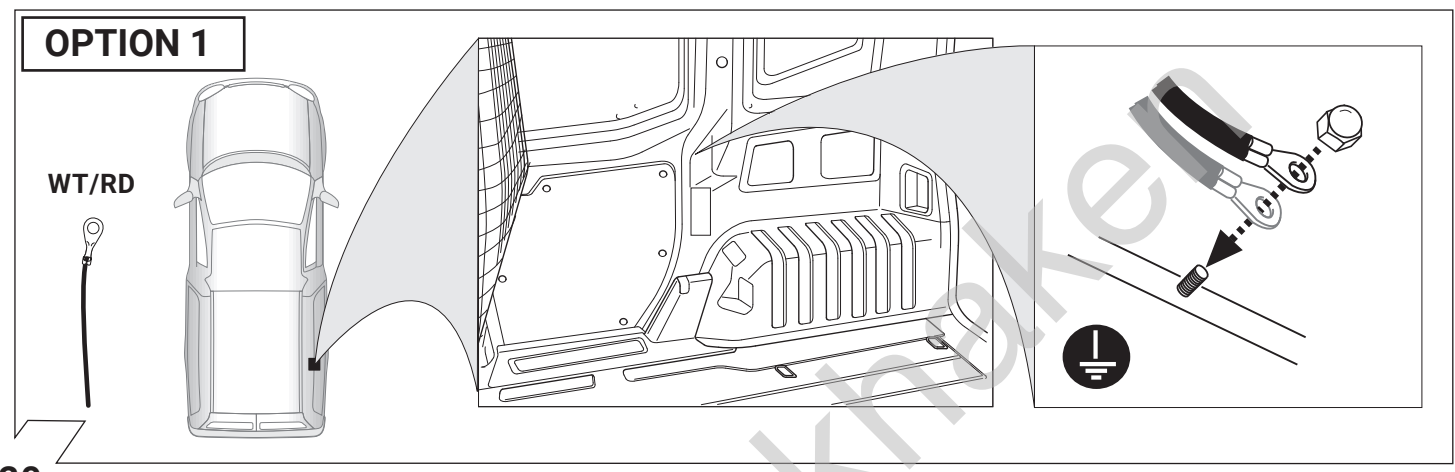
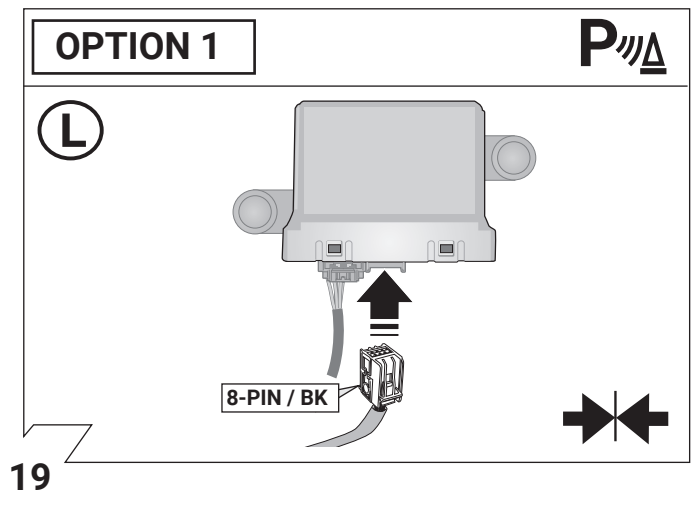
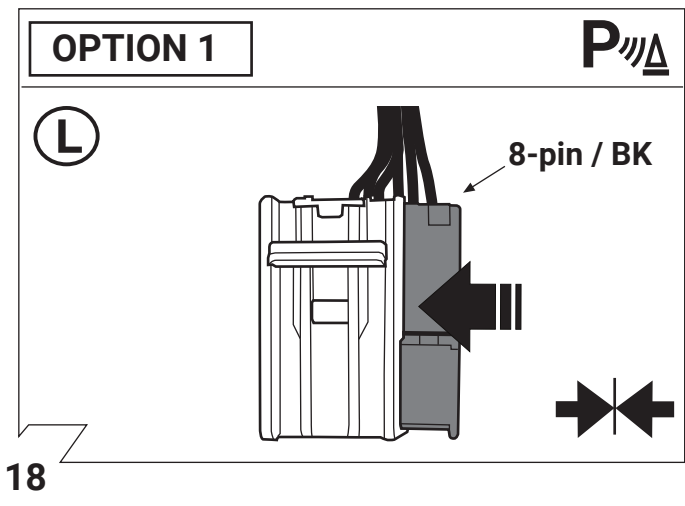


16

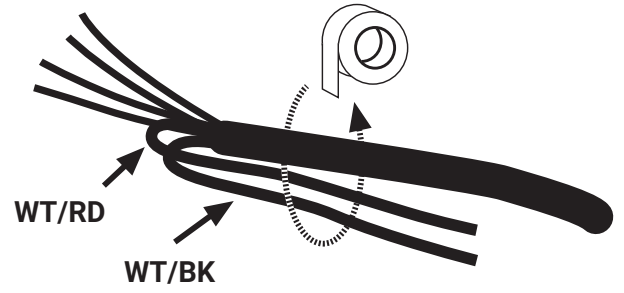
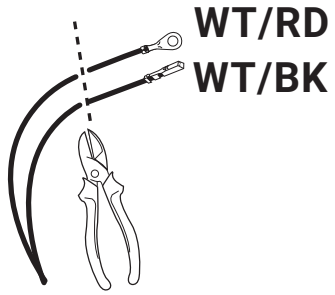
OPTION 1



17

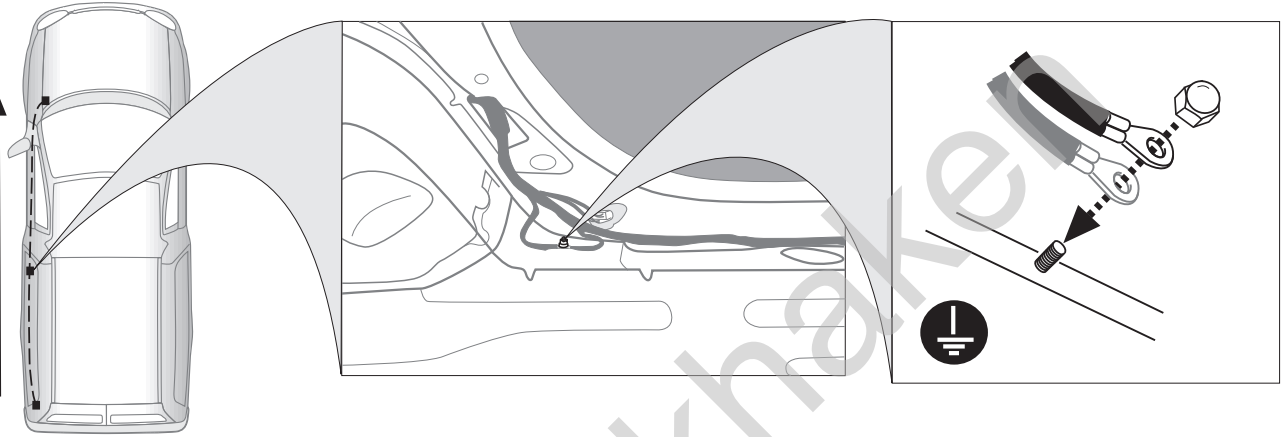


OPTION 3



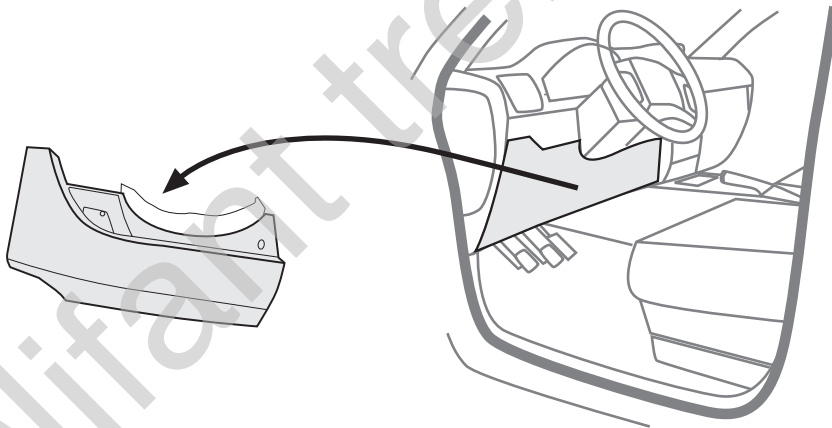
22

RD
RD/YL

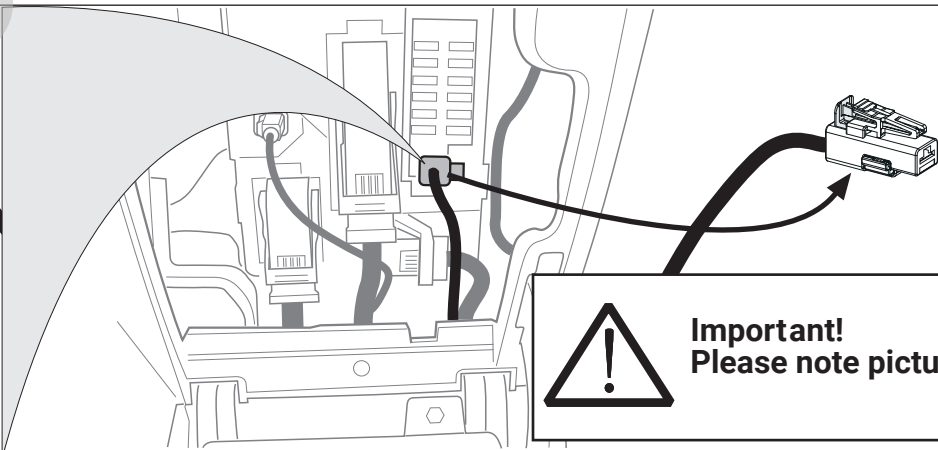
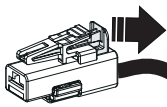


23

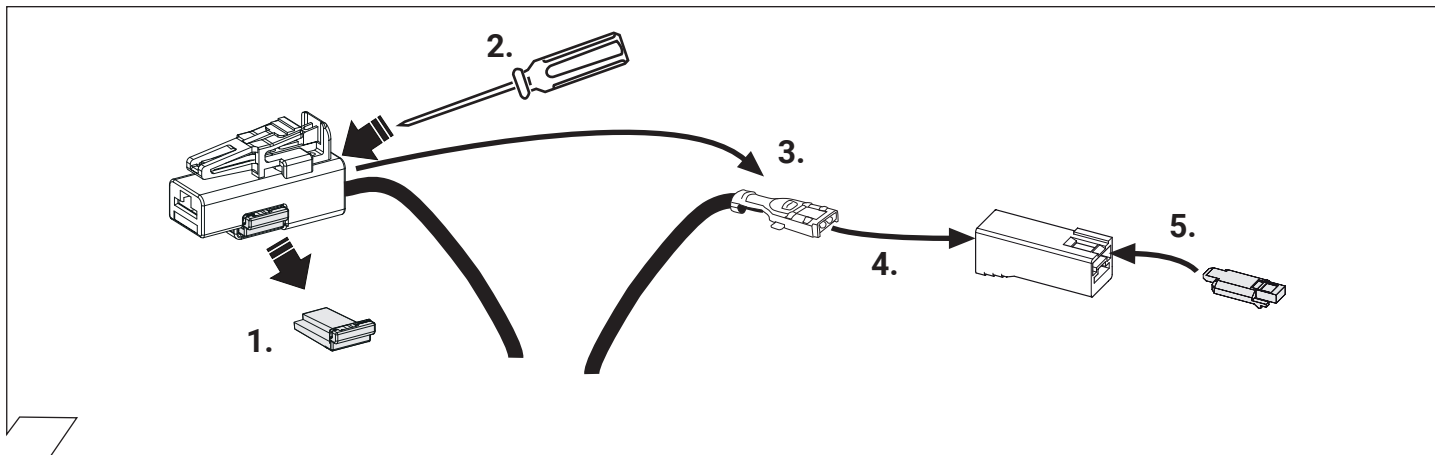
24



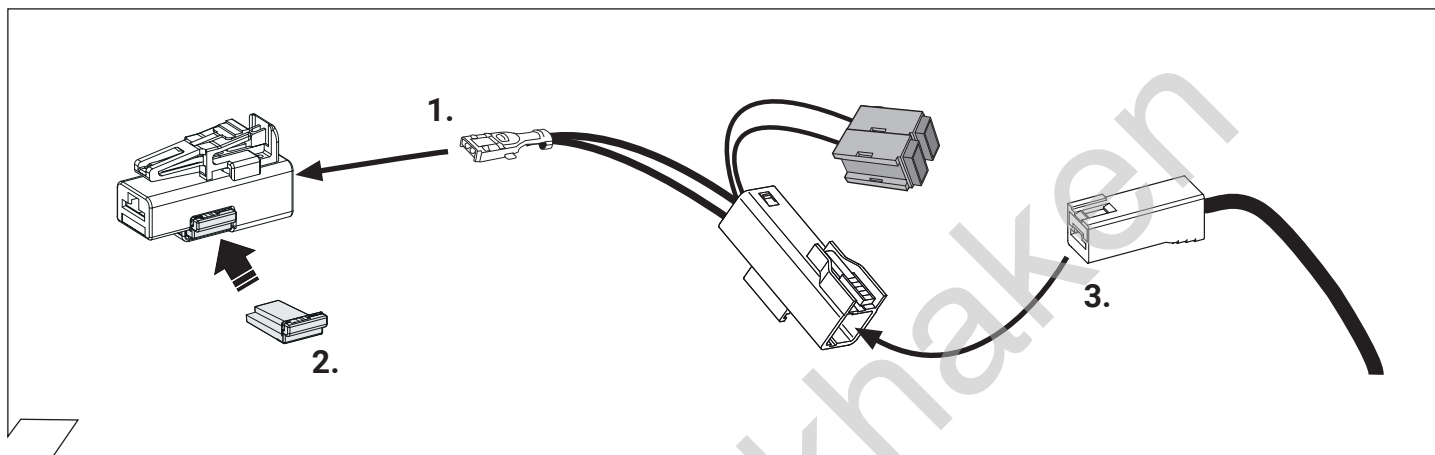
25



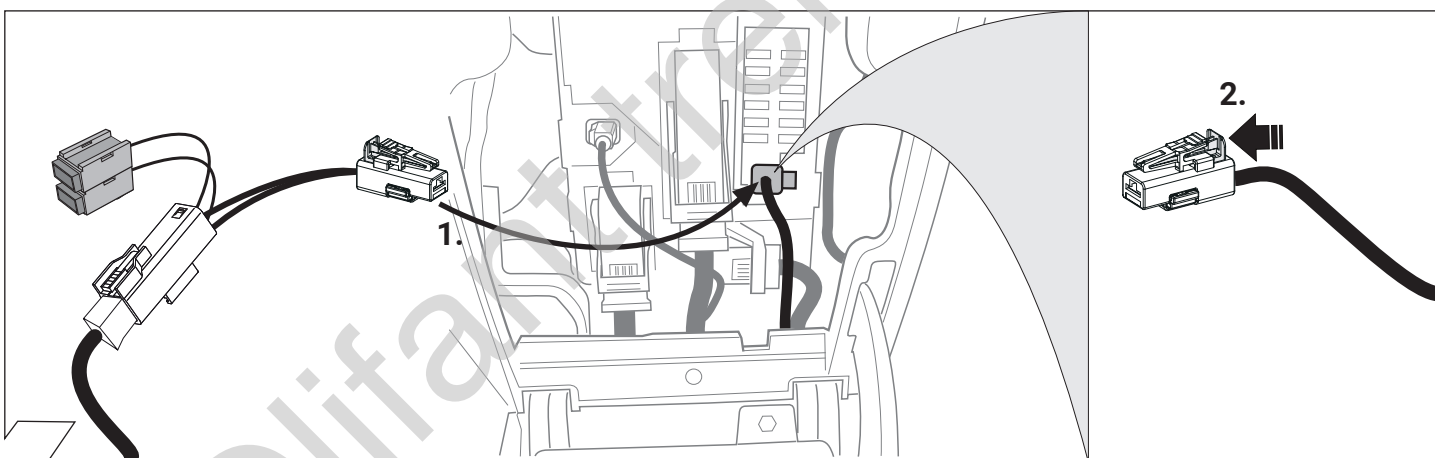
Important!
Please note picture 1!



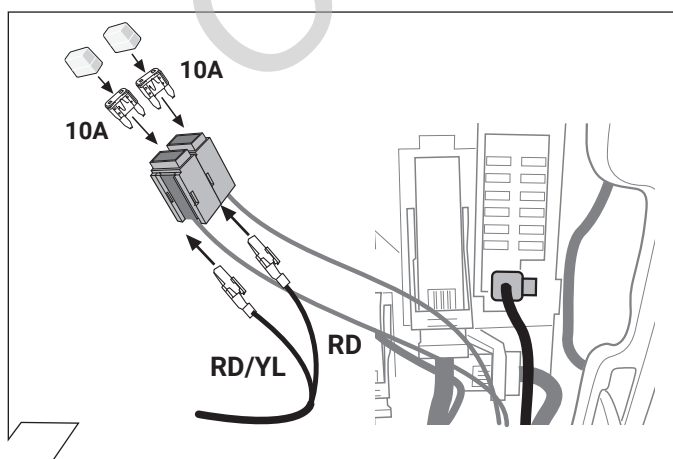
26



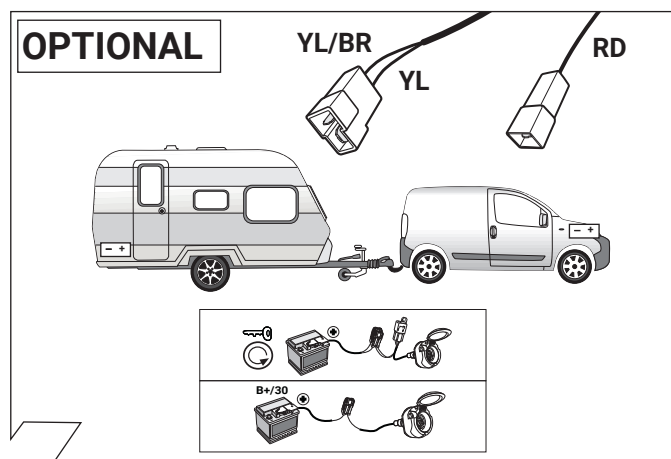
27



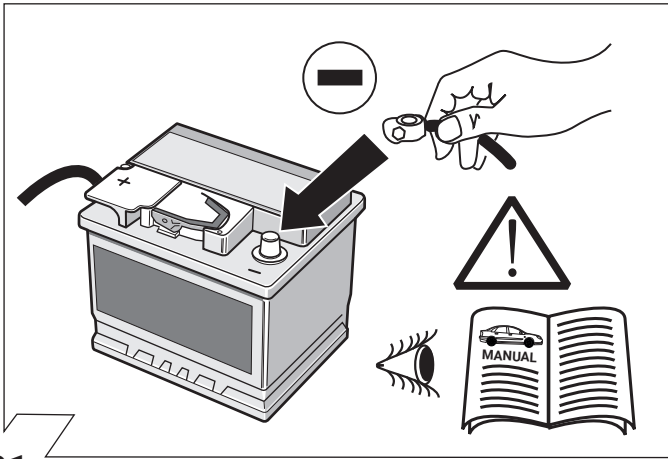
28



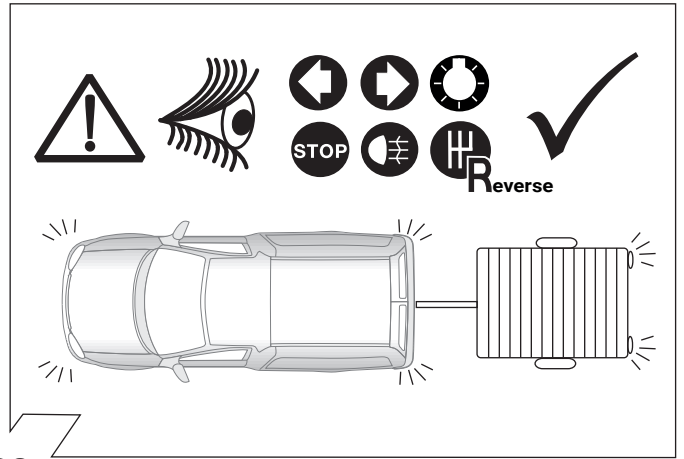
29



30



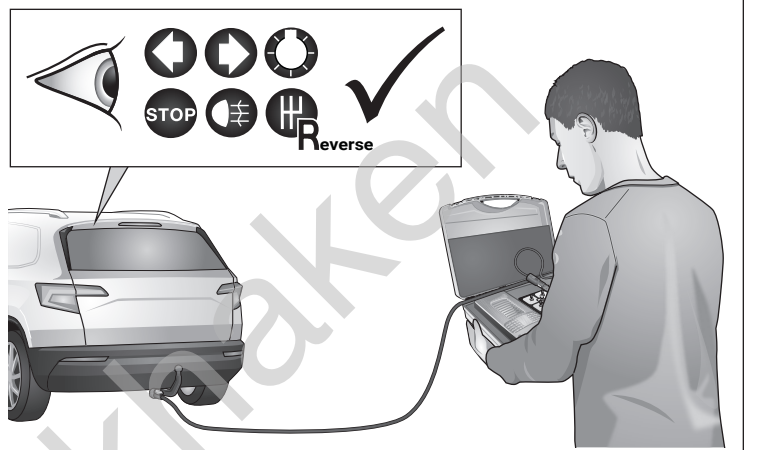
31



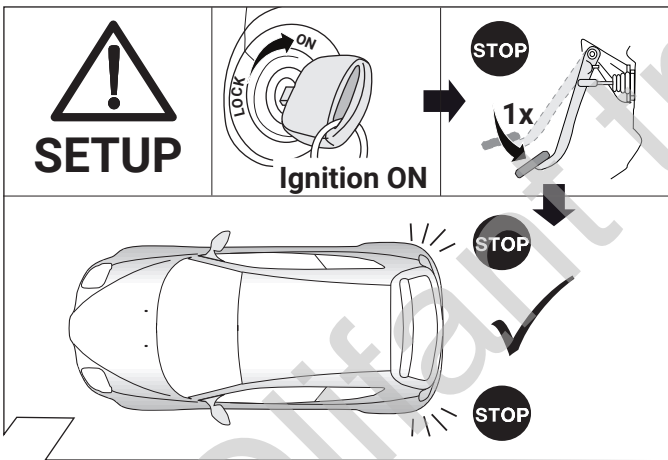
32

OPTIONAL

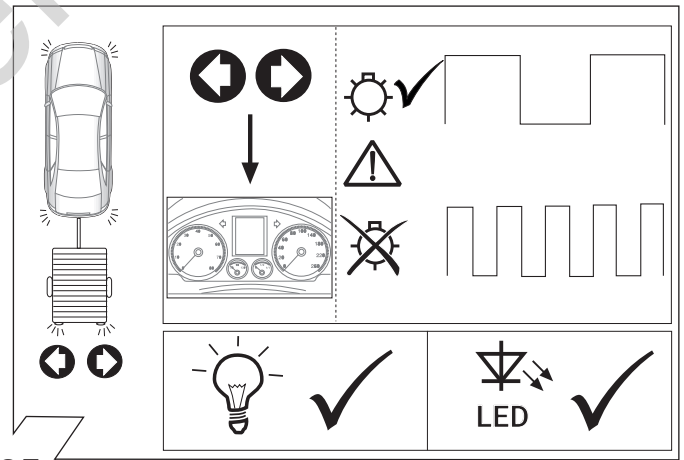
Trailer Simulator for 7- and 13-pin Sockets



33

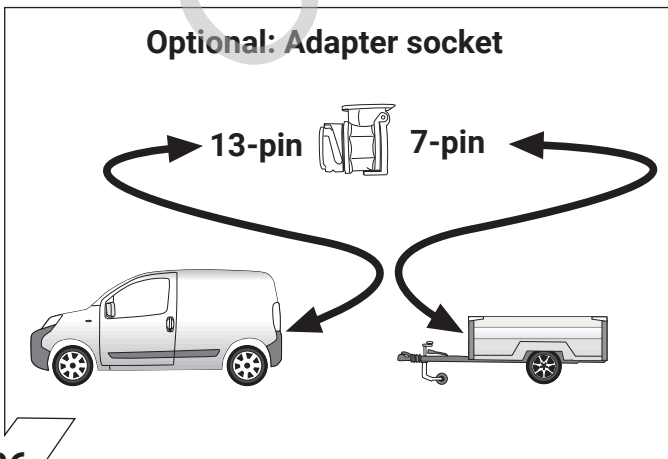


34

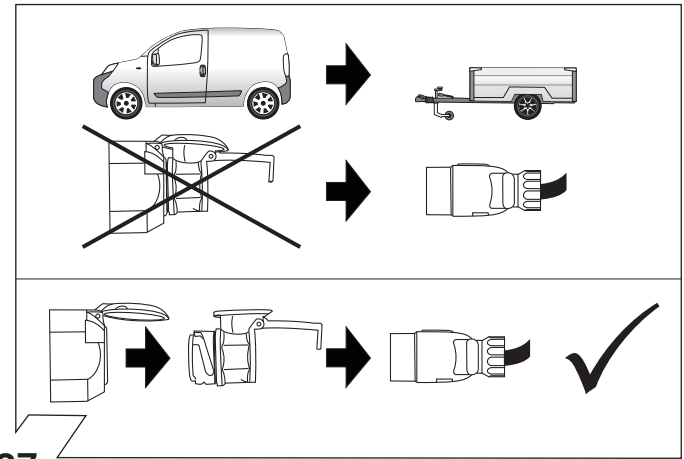


35

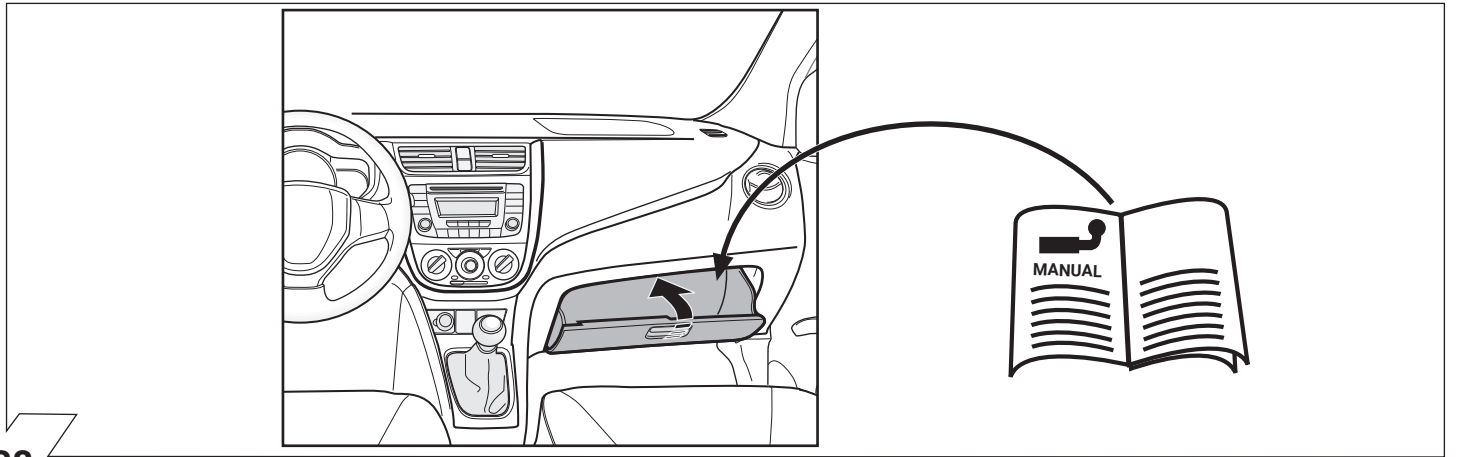
Optional: Adapter socket



36



37



38

Olifant trekhaken