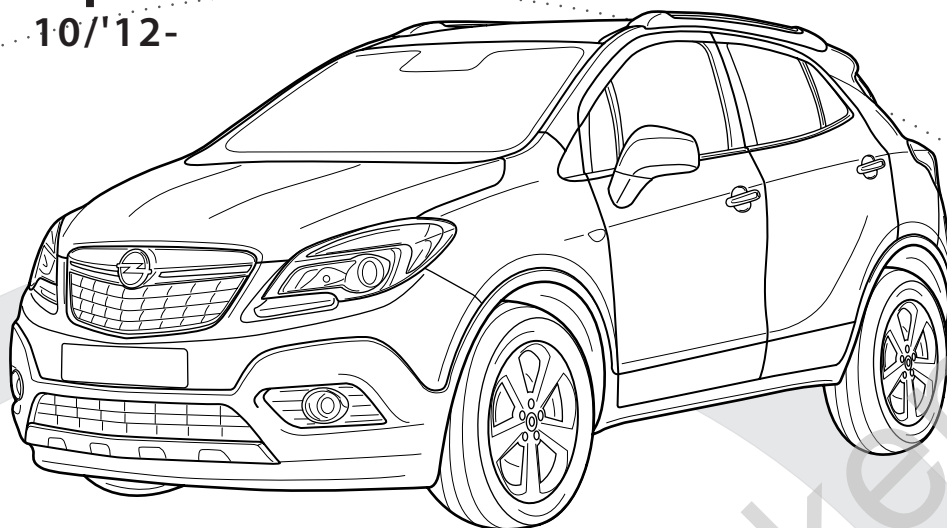




TREKHAKEN • ATTELAGES • ANHÄNGERVORRICHTUNGEN • TOWBARS • ENHANCES • ANHÆNGERTRÆK
Montagehandleiding | instructions de montage | Einbauanleitung | Mounting instruction
Instrucciones de montaje | monteringsvejledning

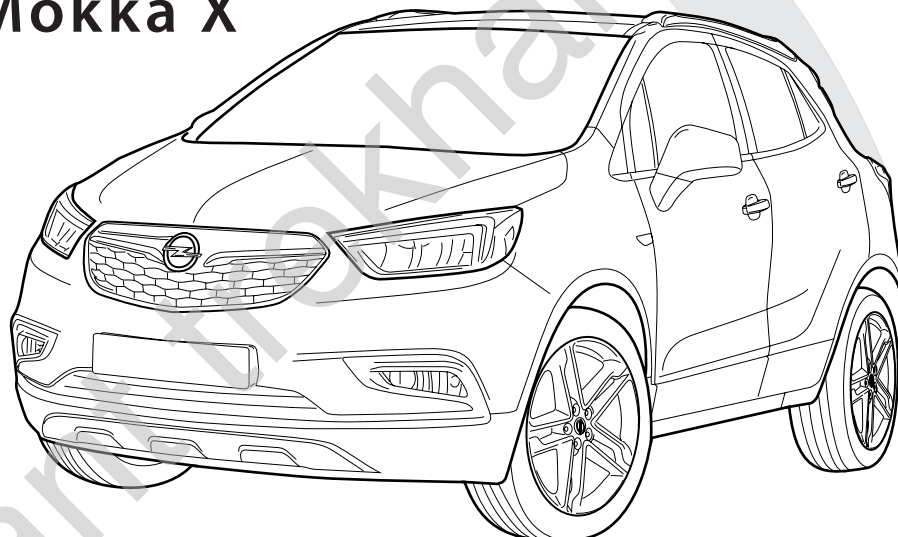
Opel Mokka

10/'12-



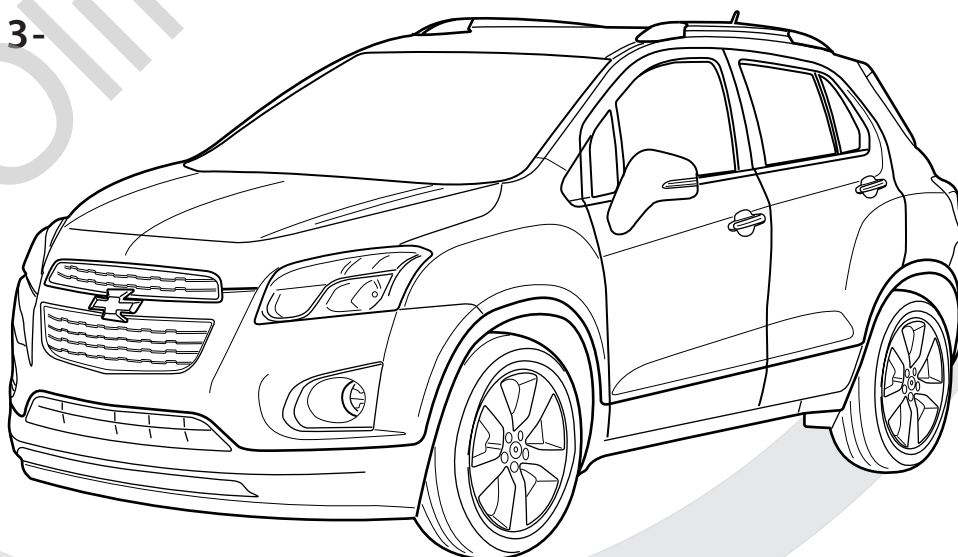
Opel Mokka X

'16-




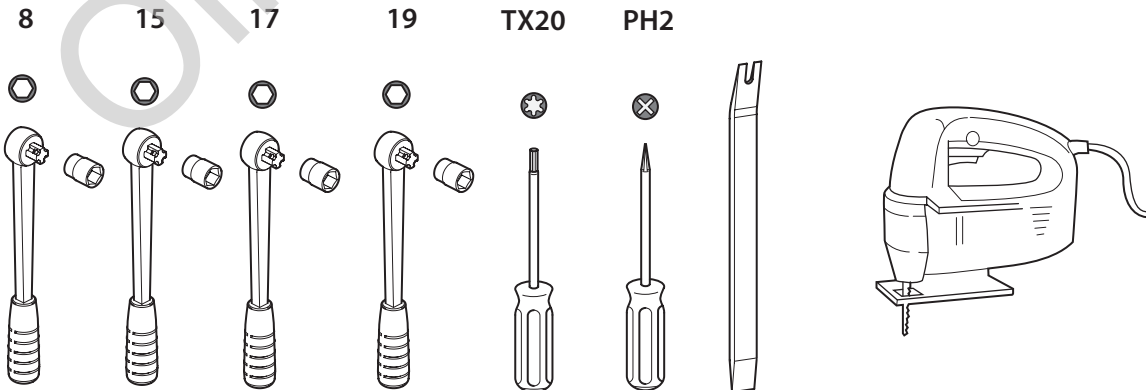
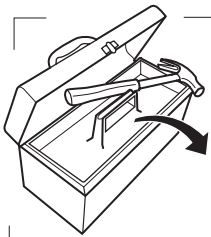
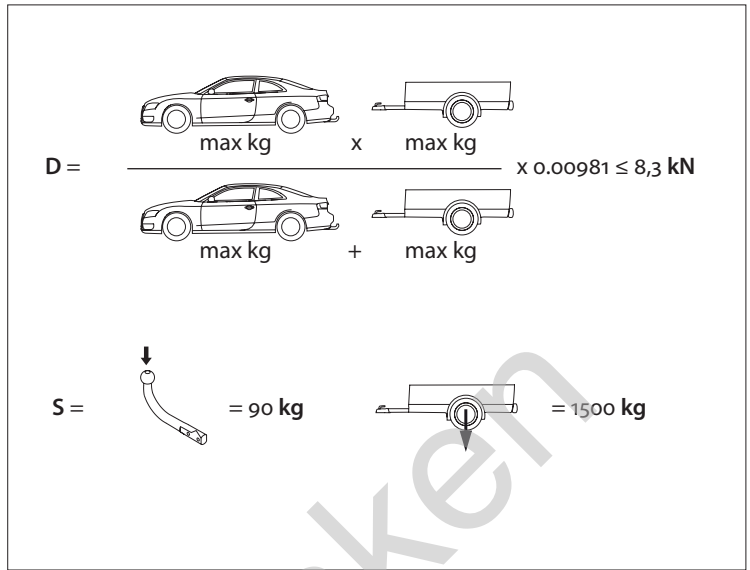
Chevrolet Trax

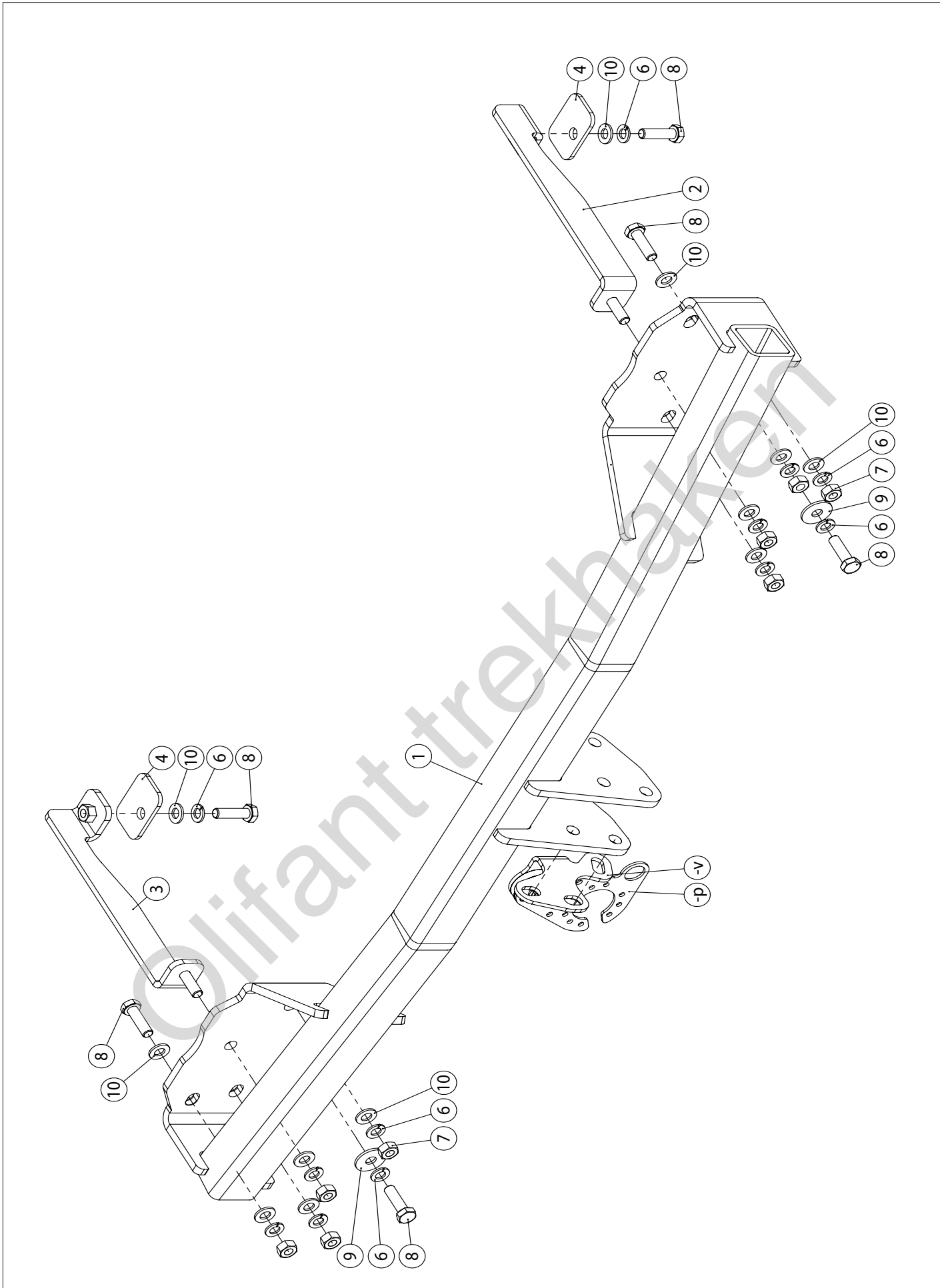
'13-

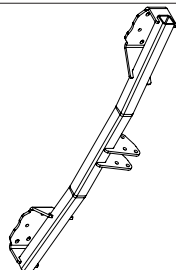
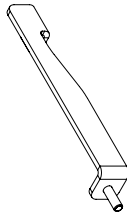
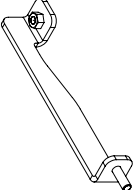



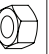

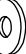


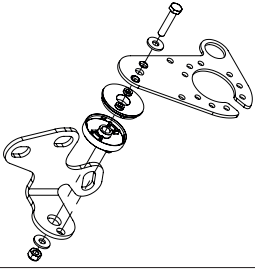
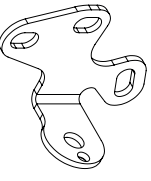


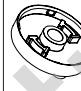

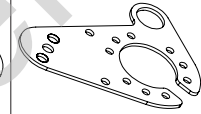

See the Certificate Of Conformity (COC) of your vehicle or contact your dealer to verify the max. trailer weight of your car!

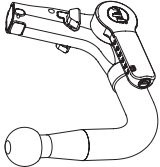
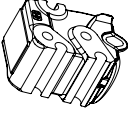
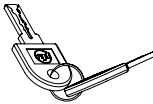

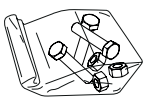
MADE BY	D 8,30	F	E6
			
BELGIUM	S 90	EC APPROVAL N°	
		55R-011026	
REF N°	SERIE N°		
2190T60			
OMSCHRIJVING			
Opel Mokka 10/'12- & Opel Mokka X '16- & Chevrolet Trax '13-			





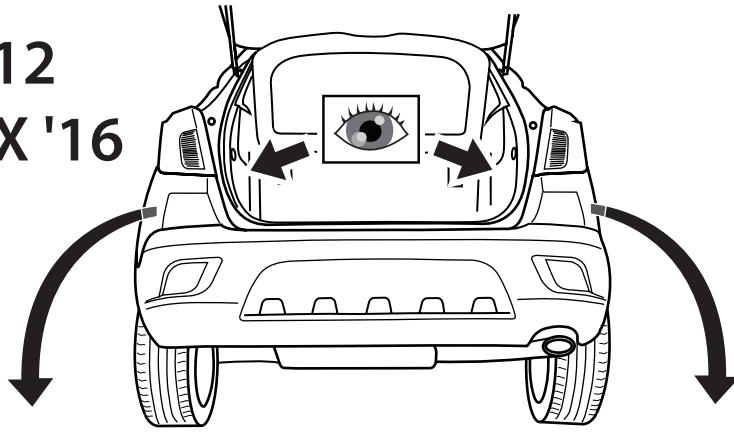
1		X1	GDW REF. 2190T60
2		X1	GDW REF. 2
3		X1	GDW REF. 3
4		X2	GDW REF. 4
5		X12	DIN125A-M10-ELVZ
6		X12	DIN 128A-M10
7		X8	DIN 934-M10
8		X6	DIN933 10x35
9		X2	DIN9021-M10-ELVZ

-P		X1	GDW REF. P34
┆		X1	GDW REF. 908.090
┆		X1	DIN985-M6
┆		X2	6,2 X 15,4 X 1,6 (NYLON)
┆		X1	GDW REF. 718.16.002
┆		X1	GDW REF. 718.16.003
┆		X1	GDW REF. 908.094
┆		X1	DIN933-M6 X30

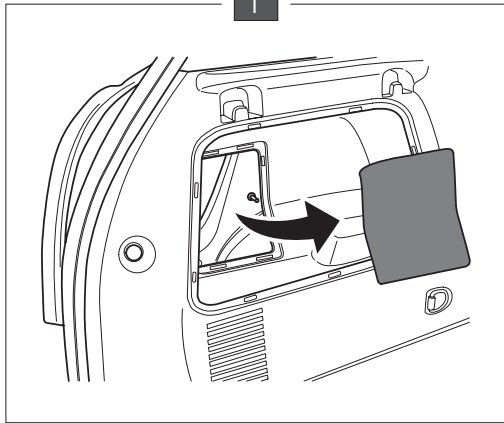
Geleverd met - Livré avec - Delivered with Geliefert mit - Elementos adjuntos - Leverages med		X1	GDW REF. 960.V1006
	┆	X1	GDW REF. 740.200
		X1	GDW REF. 912.003
	┆	X1	GDW REF. 740.112
	┆	X1	GDW REF. 740.111
		X1	GDW REF. 740.114
		X1	GDW REF. 718.15.001
		X1	GDW REF. SYST60-10
	┆	X3	DIN931-M12X110-8.8
	┆	X3	DIN128A-M12
	┆	X6	DIN125A-M12
	┆	X3	DIN934-M12

1

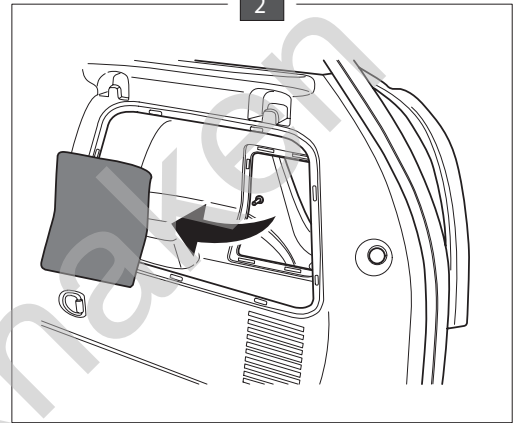
OPEL MOKKA '12 OPEL MOKKA X '16



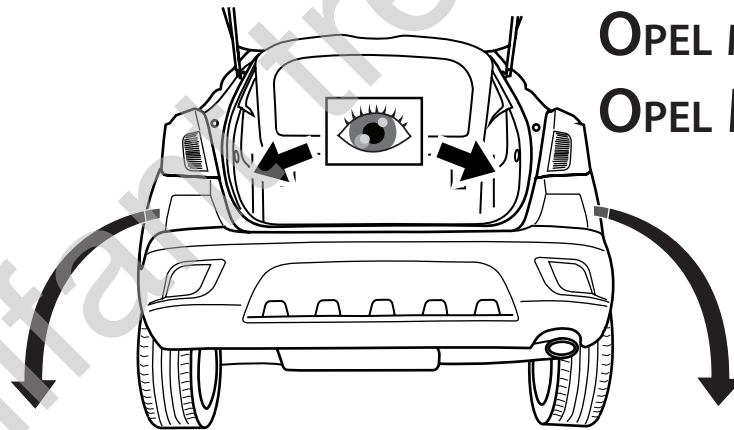
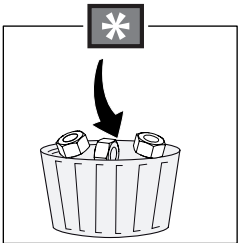
1



2

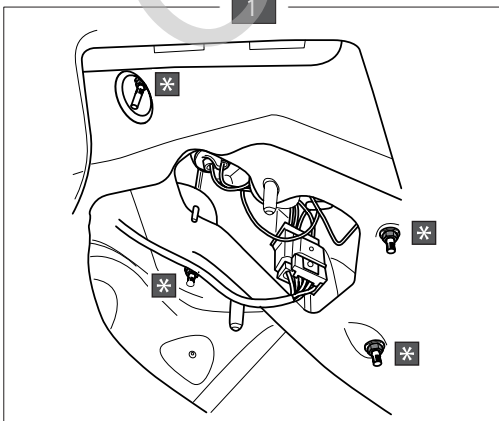


2



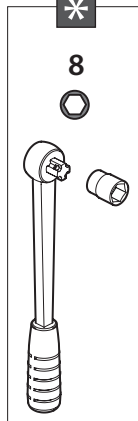
OPEL MOKKA '12 OPEL MOKKA X '16

1

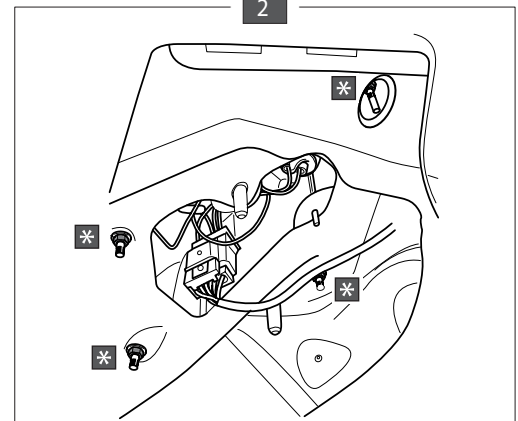


*

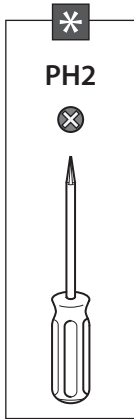
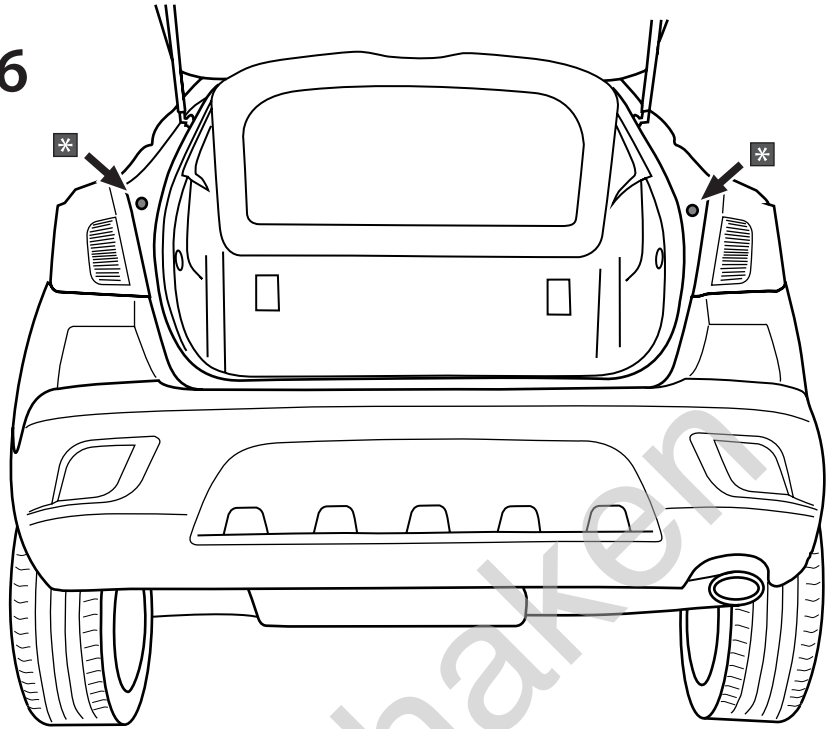
8



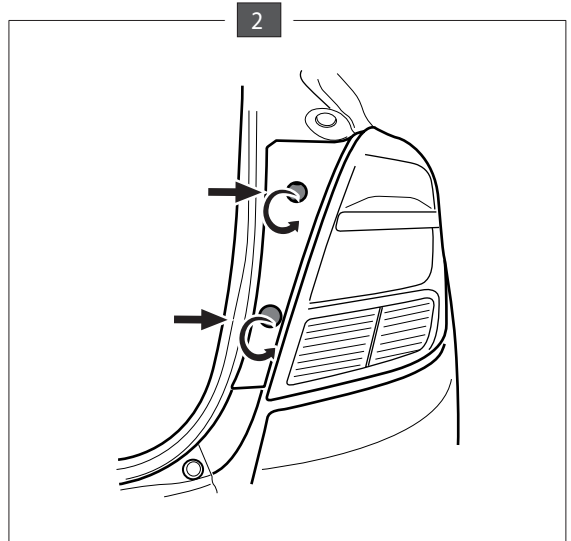
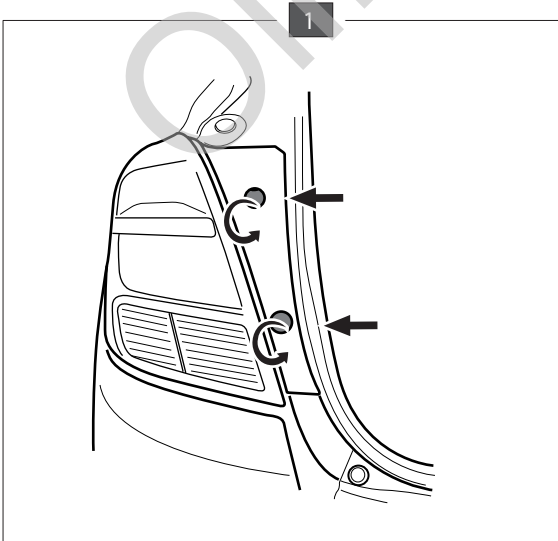
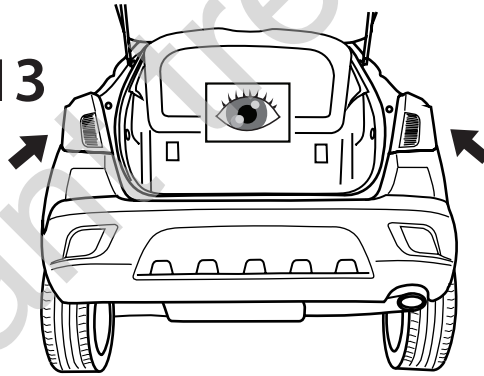
2



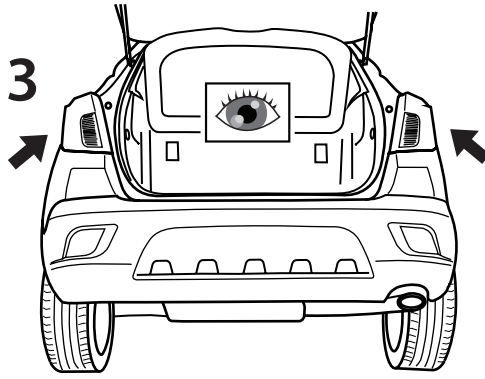
OPEL MOKKA '12 OPEL Mokka X '16



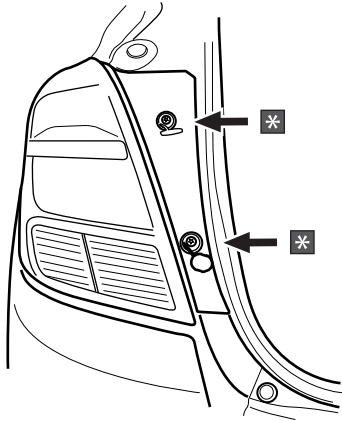
CHEVROLET TRAX '13



CHEVROLET TRAX '13



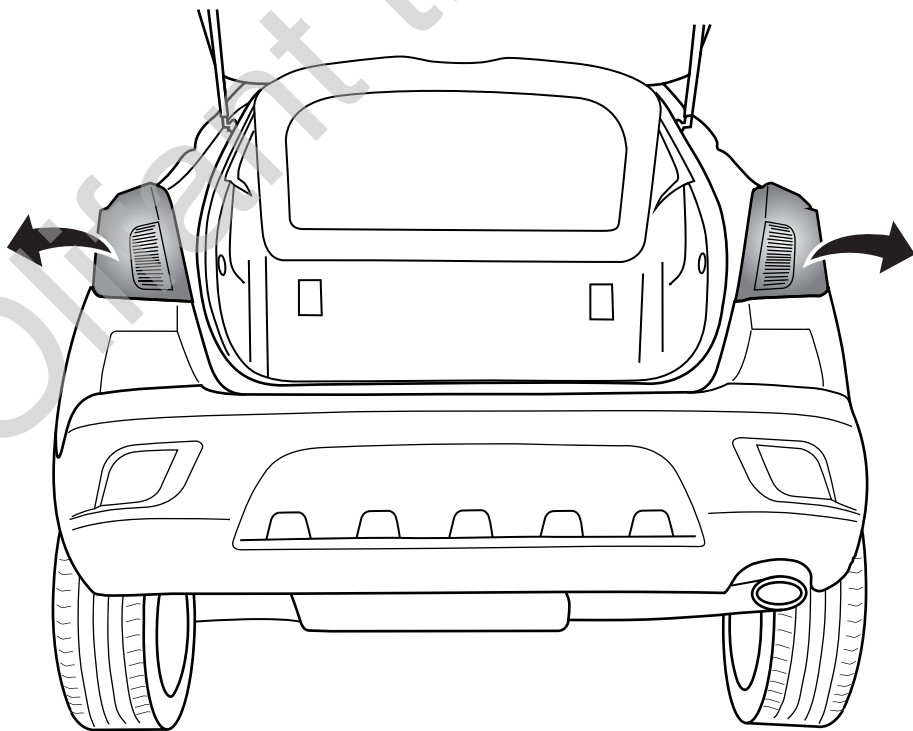
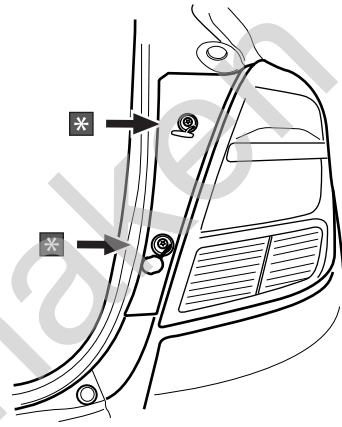
1

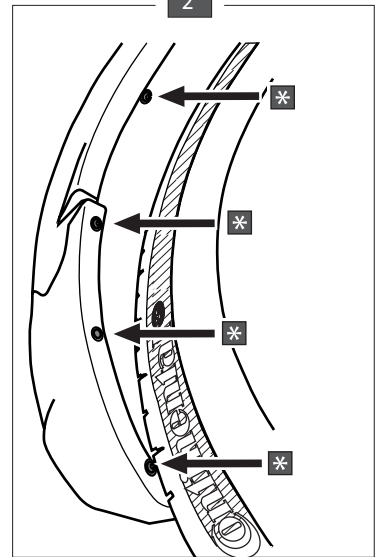
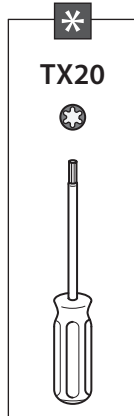
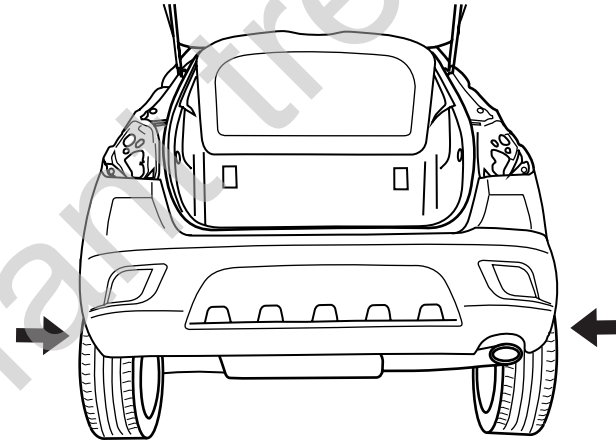
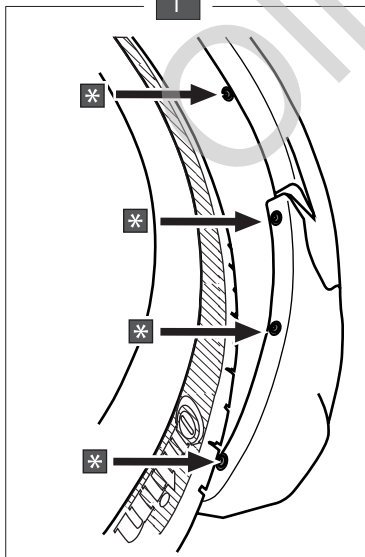
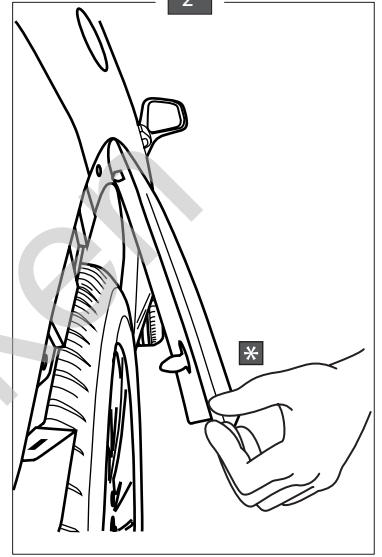
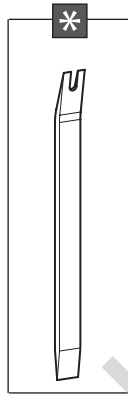
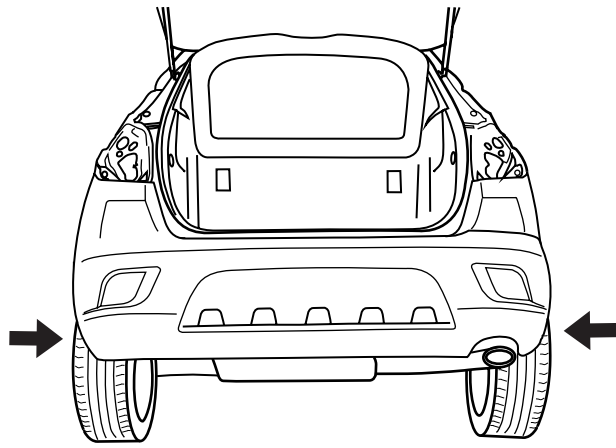
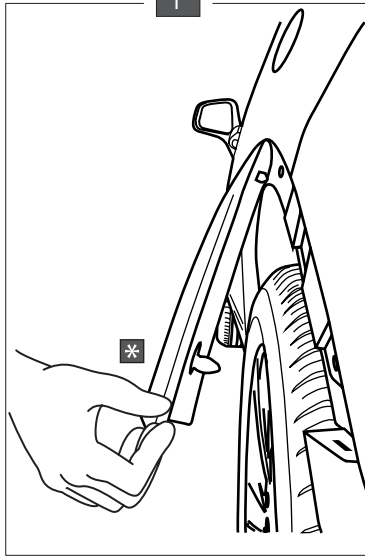


PH2

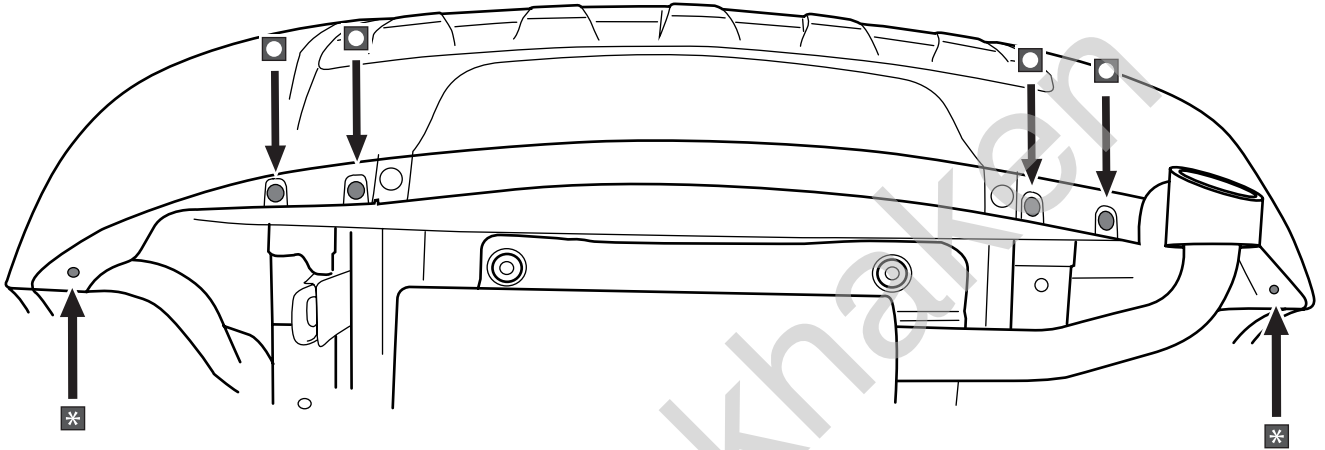
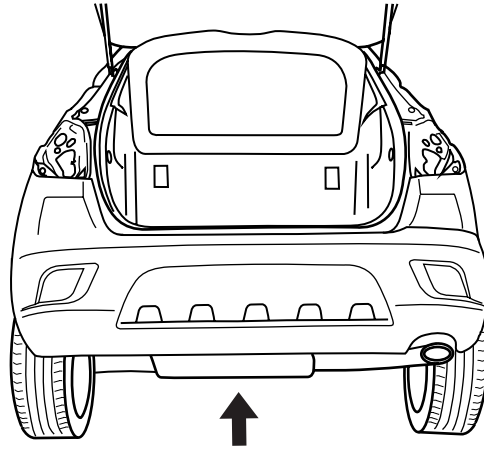
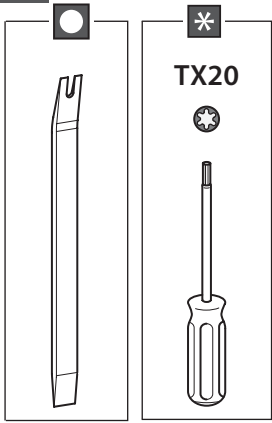


2

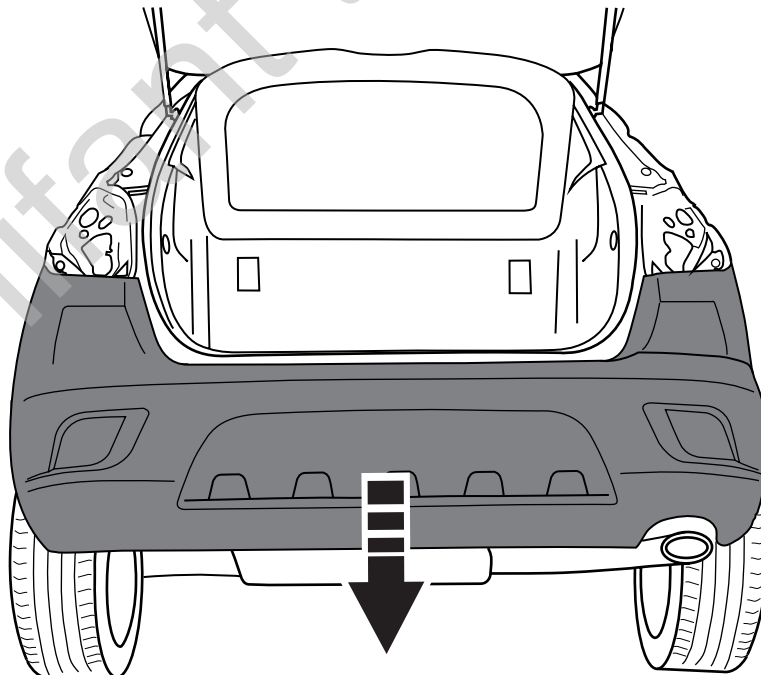


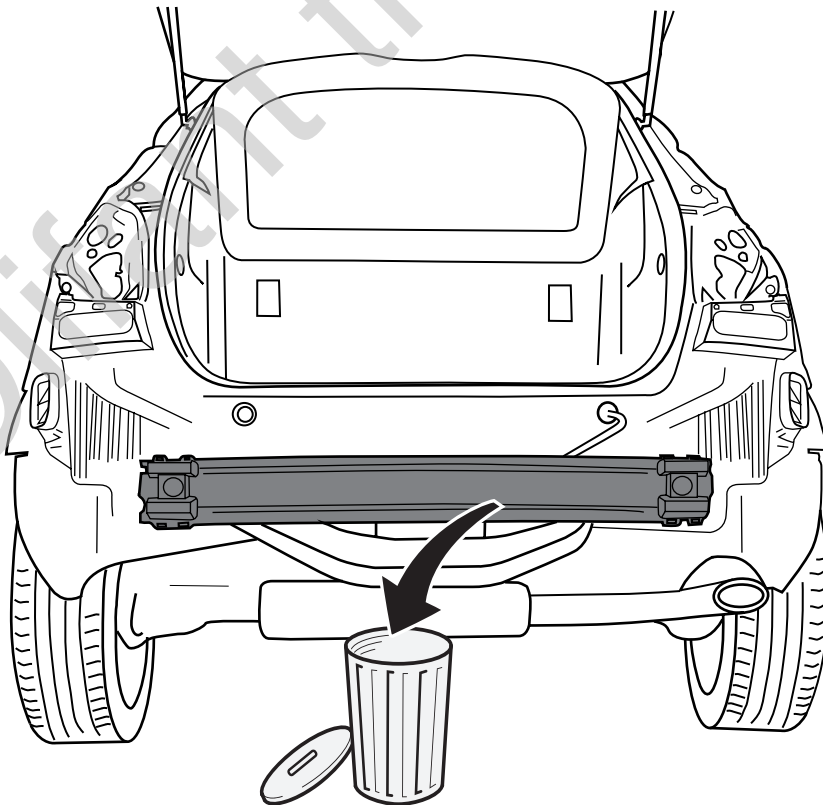
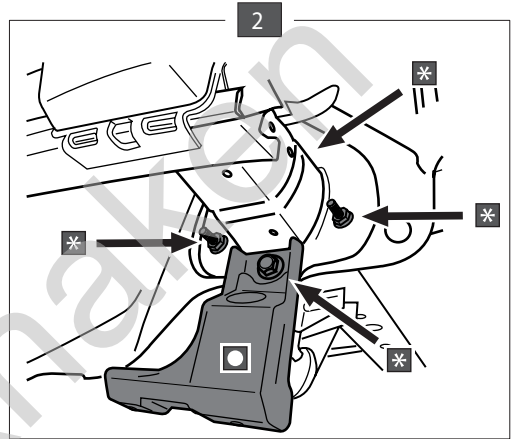
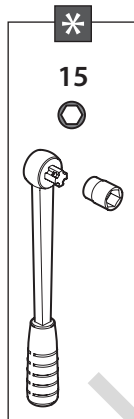
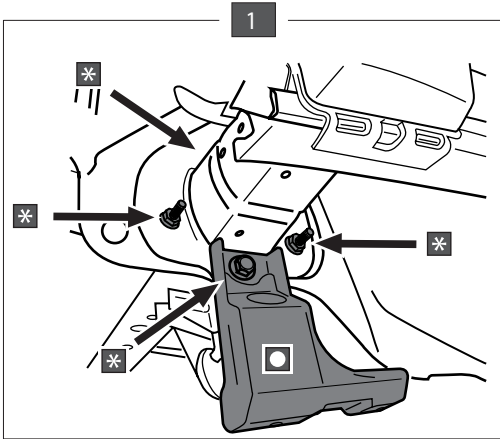
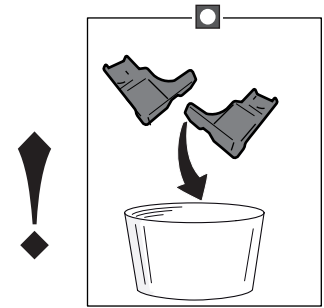
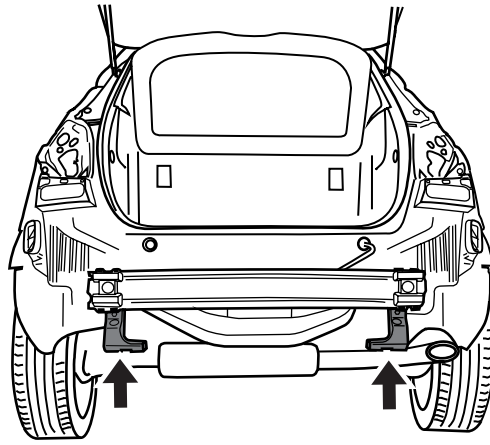
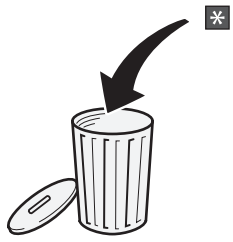


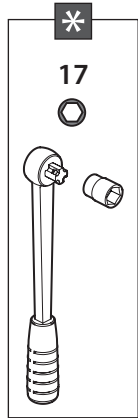
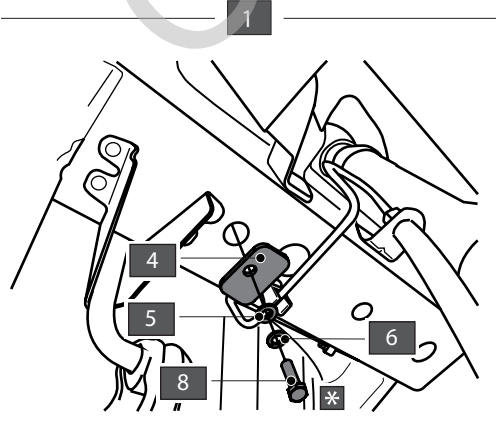
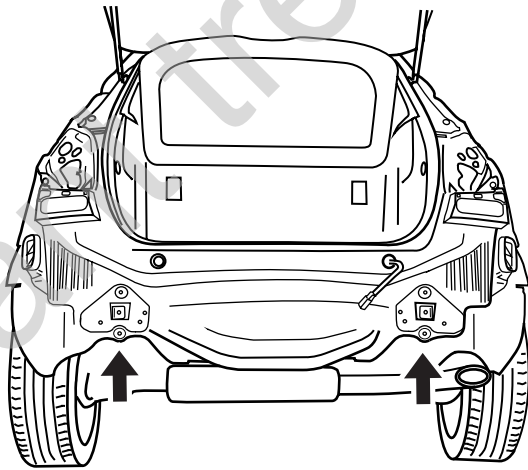
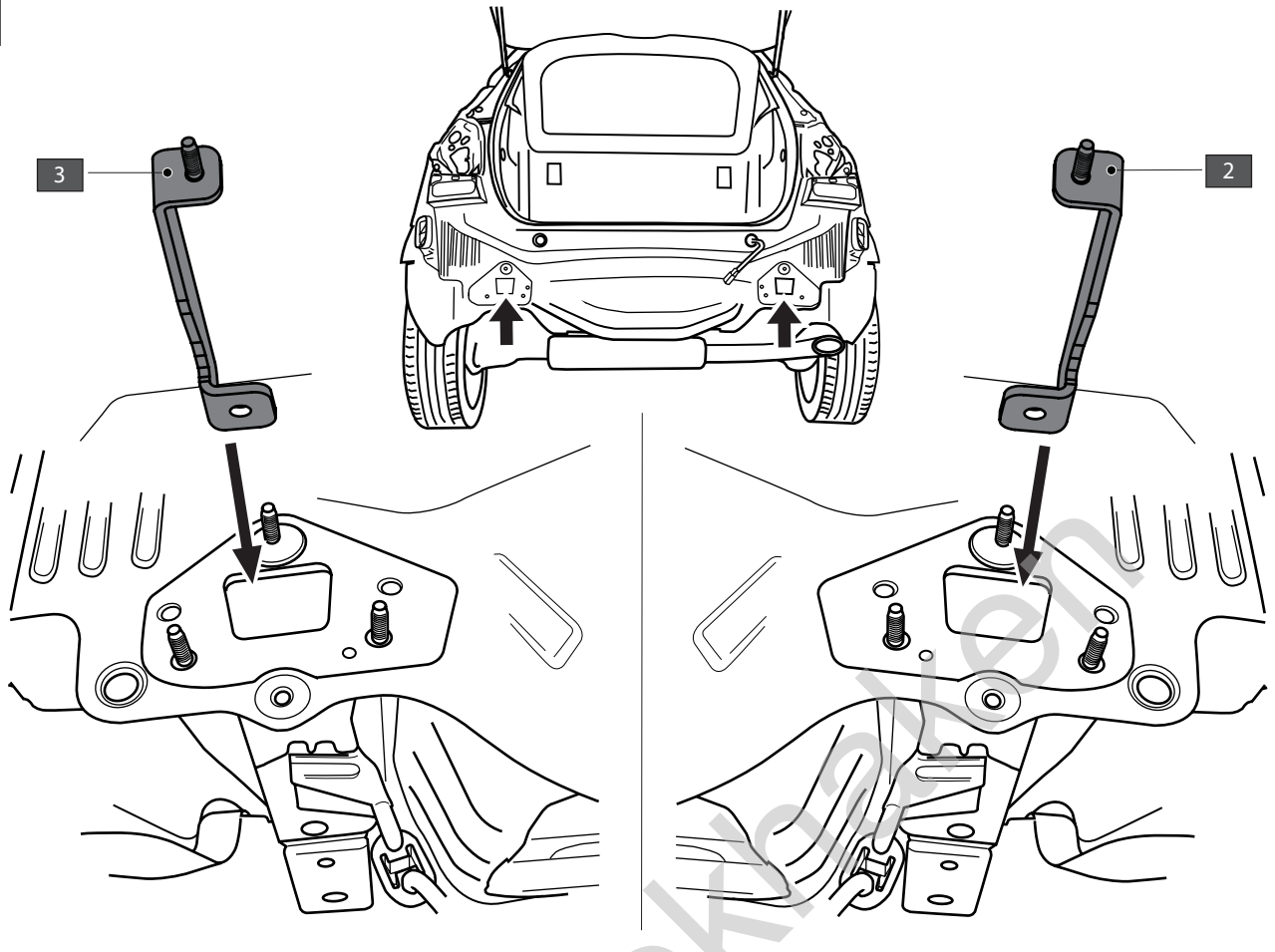
9



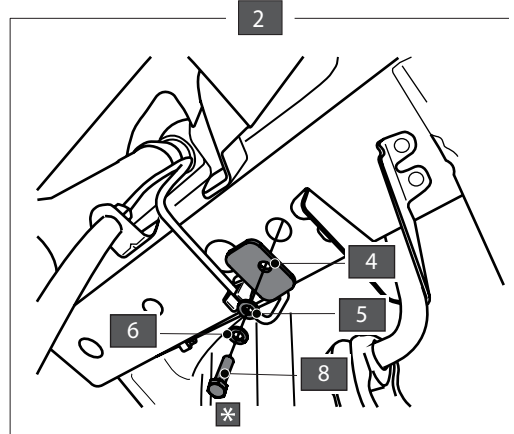
10

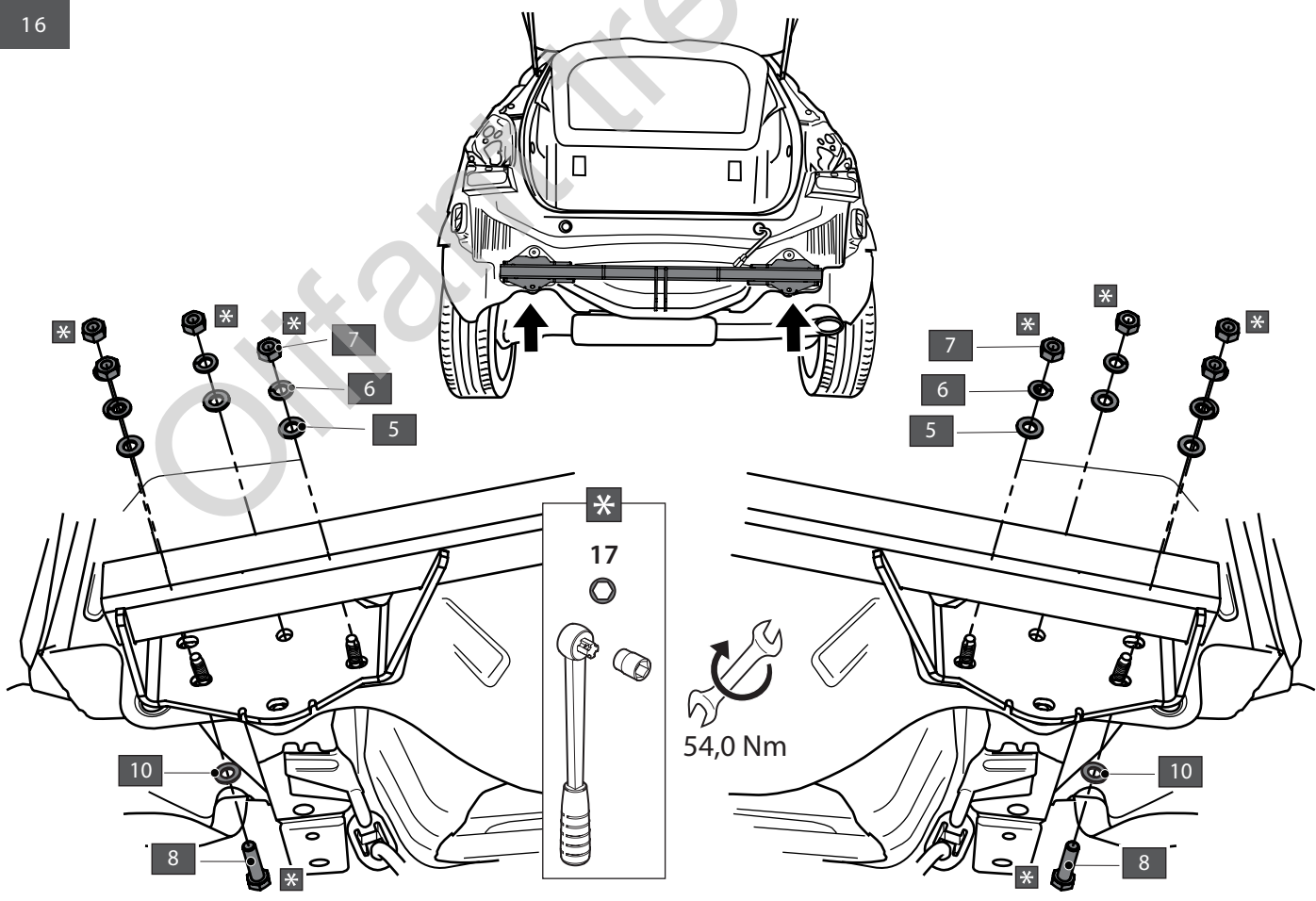
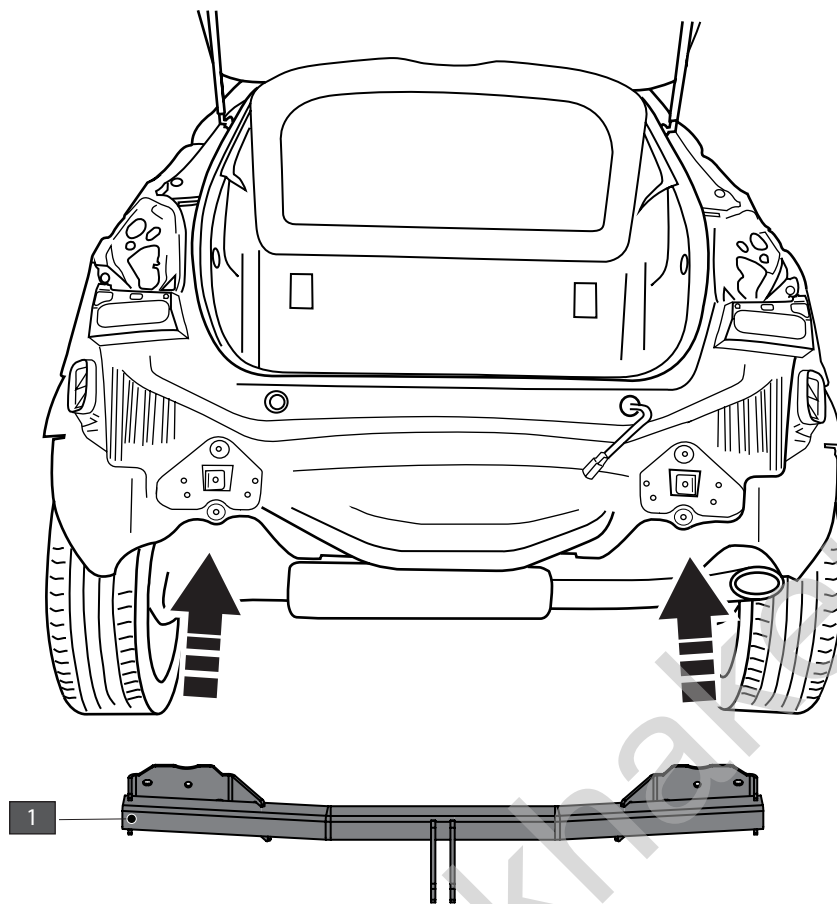


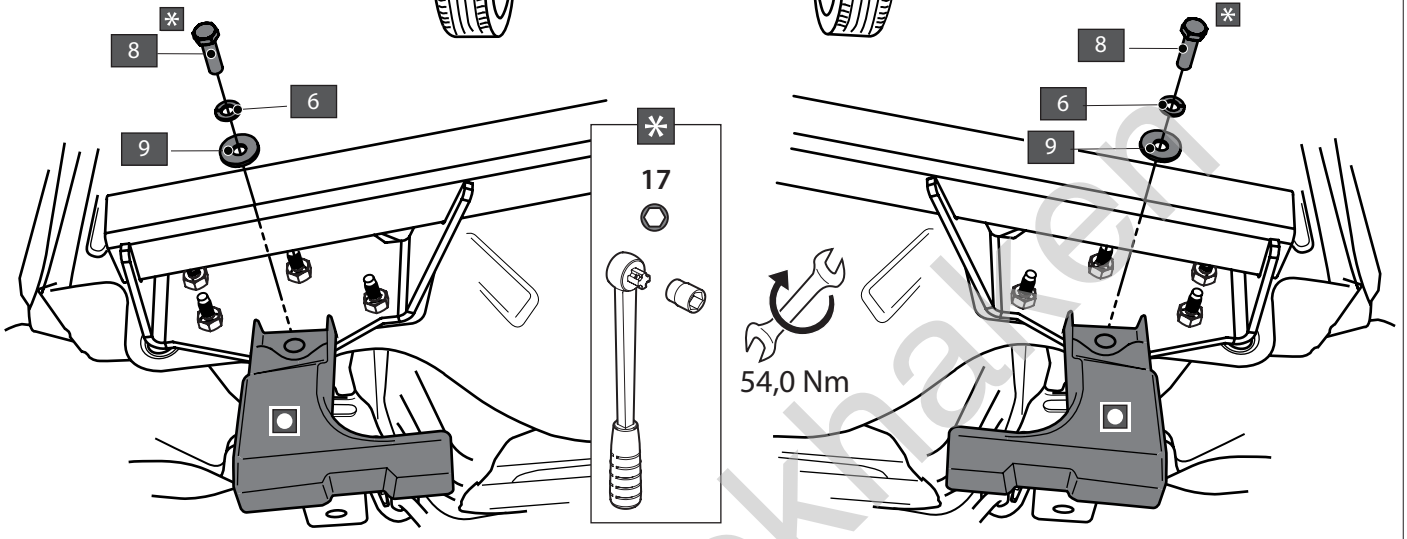
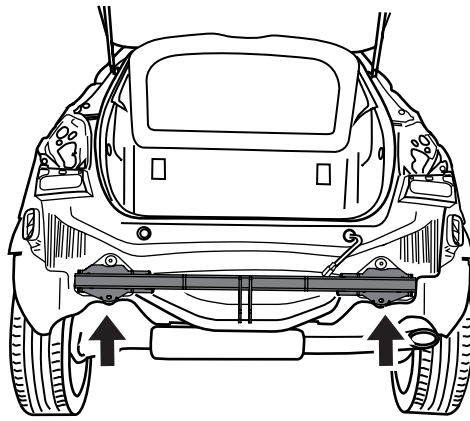
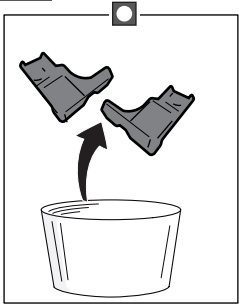




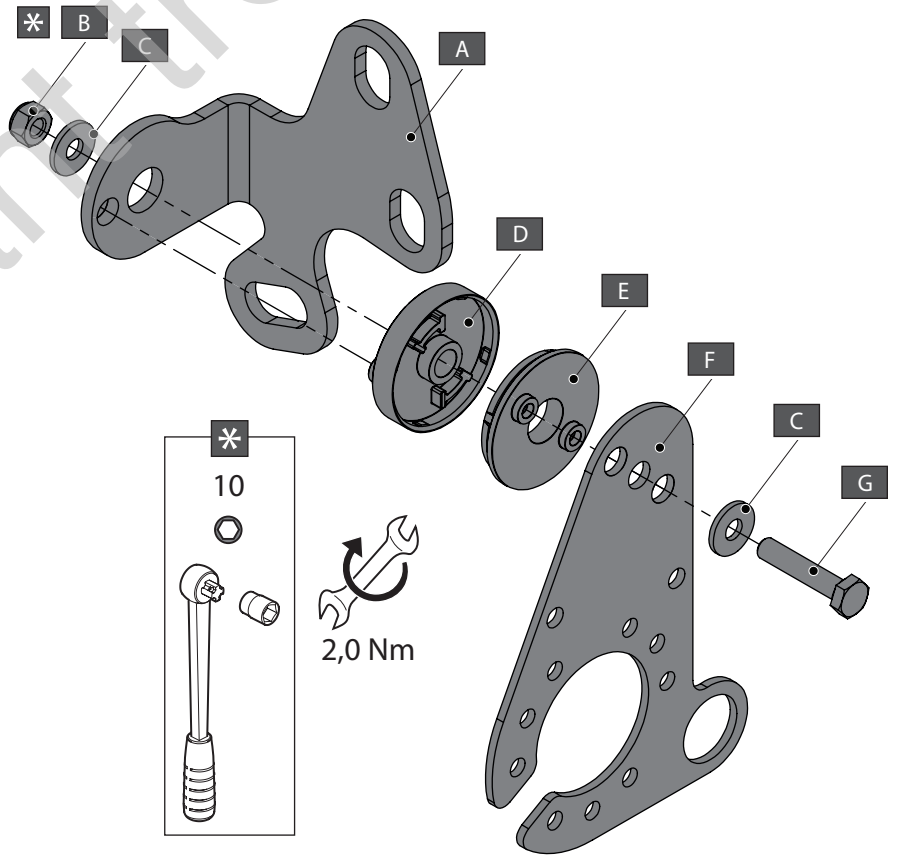
54,0 Nm

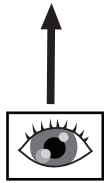
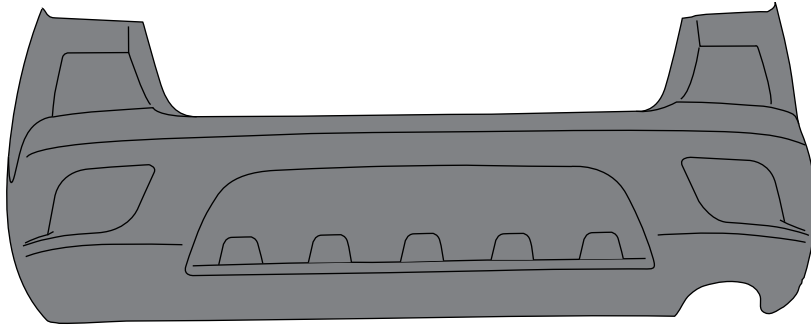




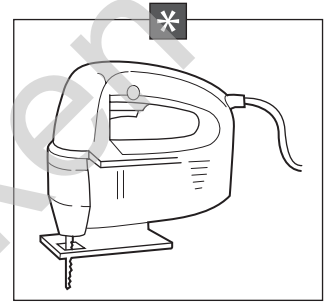
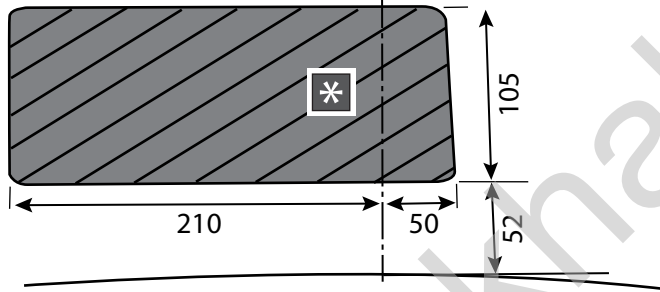


A		X1	GDW REF. 908.090
B		X1	DIN985-M6
C		X2	6,2 X 15,4 X 1,6 (NYLON)
D		X1	GDW REF. 718.16.002
E		X1	GDW REF. 718.16.003
F		X1	GDW REF. 908.094
G		X1	DIN933-M6 X 30

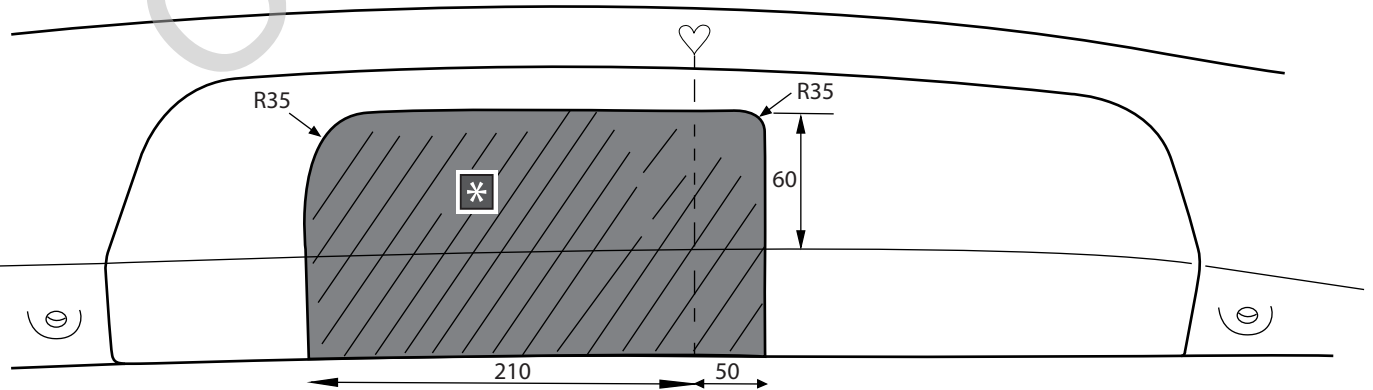
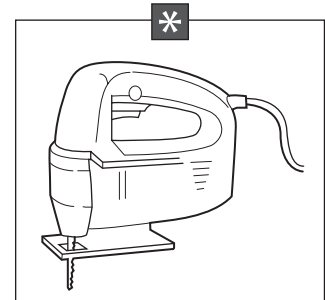


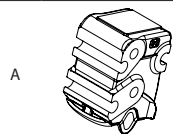
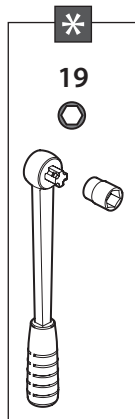
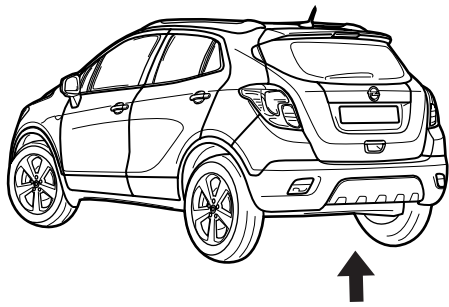


Opel Mokka '12
Opel Mokka X '16



Chevrolet Trax '13





A X1 T60



B X3 DIN931-M12X110



C X6 DIN125A-M12



D X3 DIN128A-M12



E X3 DIN934-M12

