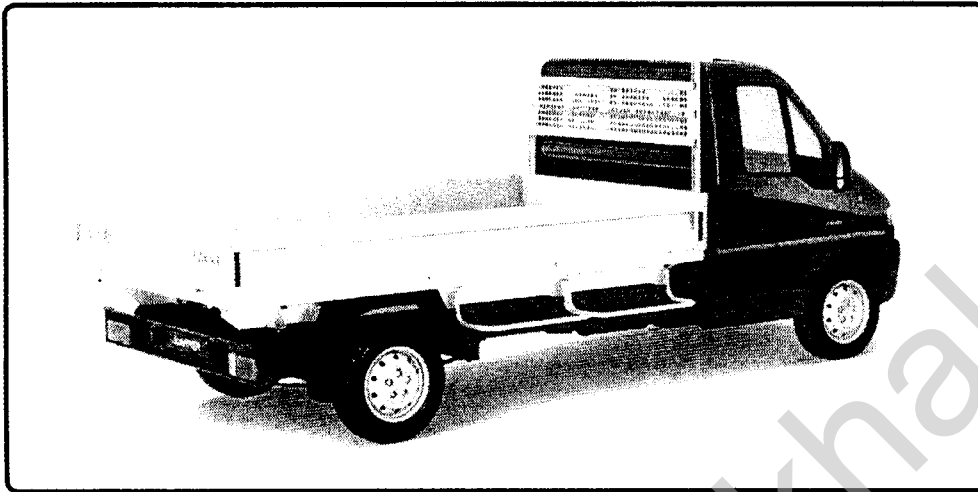


# Trekhaken-attelages-Anhängevorrichtungen-towbars



**Fiat Ducato - Citroën Jumper - Peugeot Boxer  
1994 - ....**



**GDW Ref.1180**

**EEC APPROVAL N° : e6\*94/20\*0174\*00**

D/	13,5	: KN
S/	110	: kg

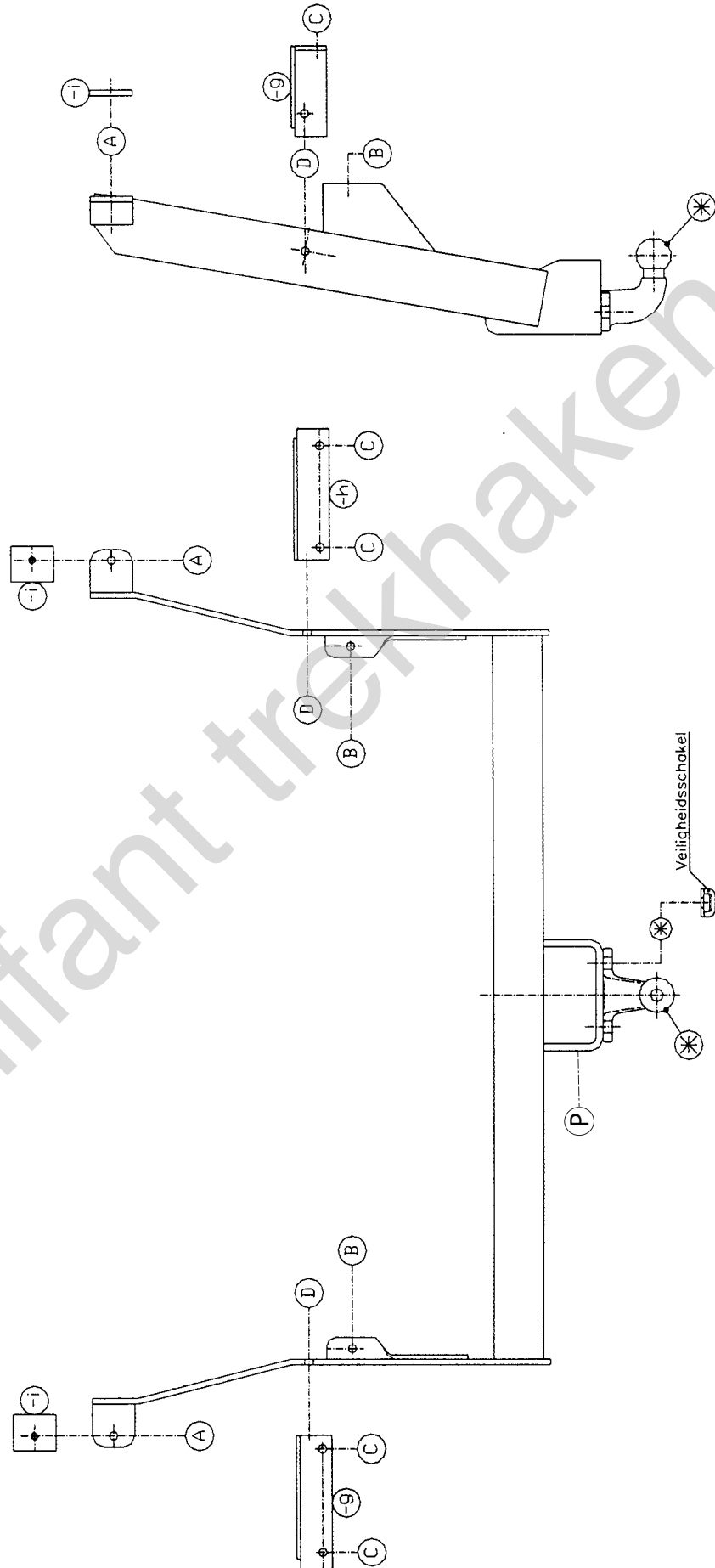
**GDW nv - Hoogmolenwegel 23 - B-8790 Waregem**

**TEL. 32 (0) 56/604212 (5) - FAX 32 (0) 56/600193**

**Email: [gdw@gdwtowbars.com](mailto:gdw@gdwtowbars.com) - Website <http://www.gdwtowbars.com>**



Fiat Ducato - Citroën Jumper - Peugeot Boxer  
1994 - ....  
Ref.1180



# Trekhaken -attelages



# Towbars - Anhängervorrichtungen

Bouten - Boulons - Bolts - Bolzen

DIN931/DIN933/DIN7991

Kwaliteit - Qualité - Quality - Qualität 8.8

M6-----10.8Nm of 1.1kgm

M8-----25.5Nm of 2.60kgm

M10-----52.0Nm of 5.30kgm

M12-----88.3Nm of 9.0kgm

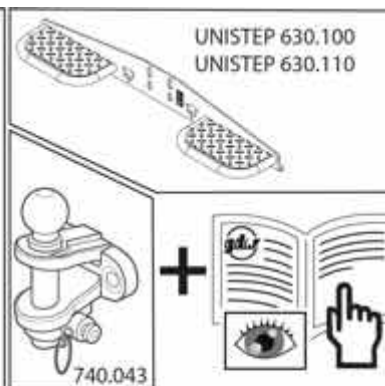
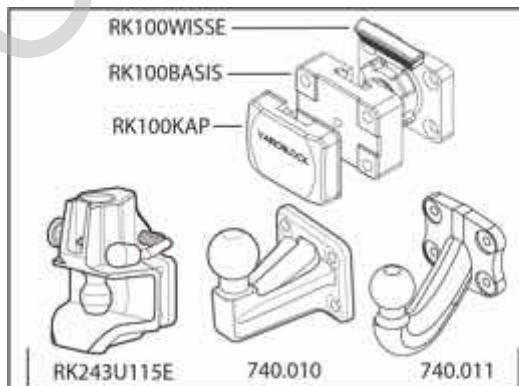
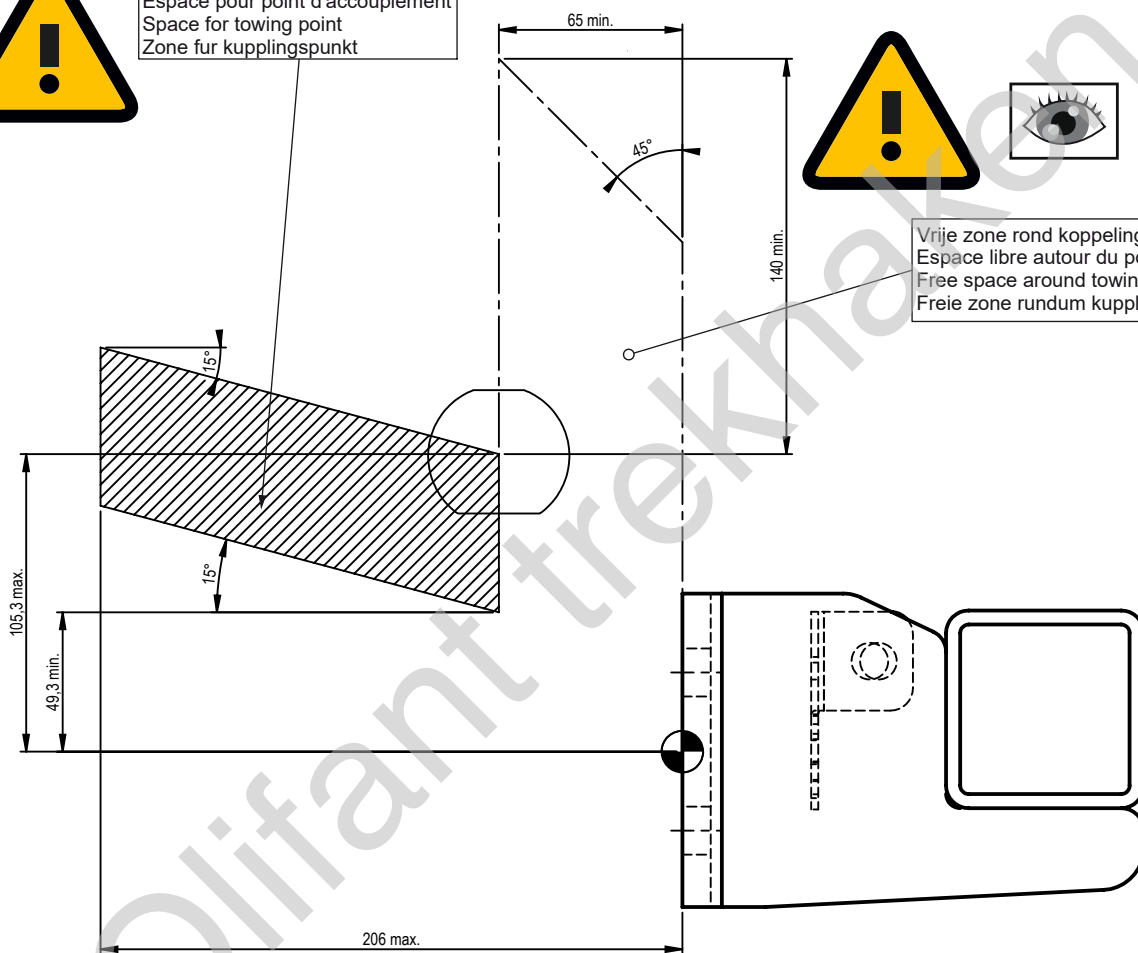
M14-----137 Nm of 14.0kgm

M16-----211 Nm of 21.5kgm

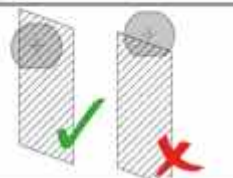
M22-----265 Nm ok 27kgm



Zone voor koppelingspunt  
Espace pour point d'accouplement  
Space for towing point  
Zone für Kupplungspunkt



Art. ADAPT83x56



*Ontwerp*

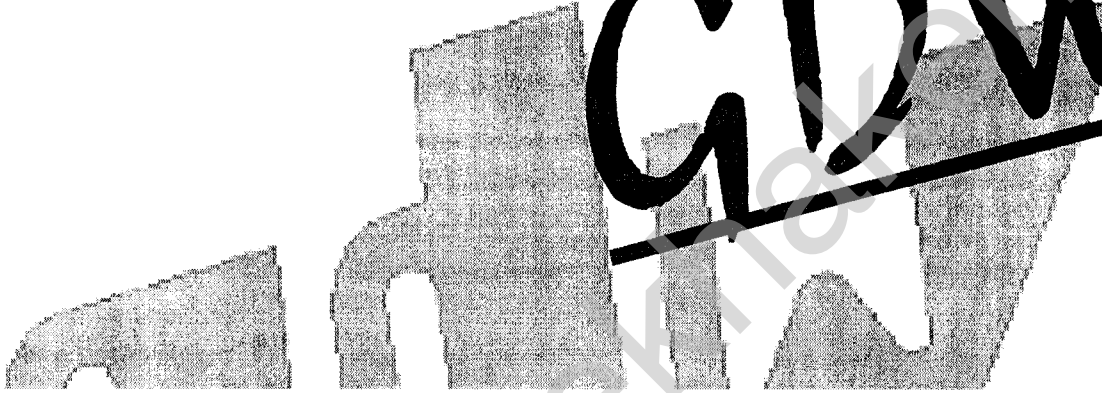
**G D W**  

---

*Designed by*

**G D W**  

---



*Signé*

**G D W**  

---

*Entwurf*

**G D W**  

---