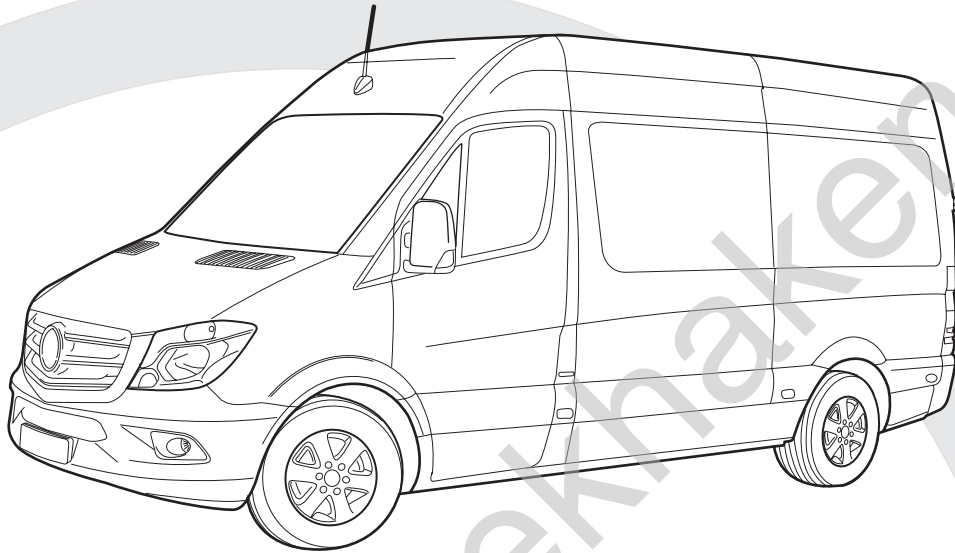




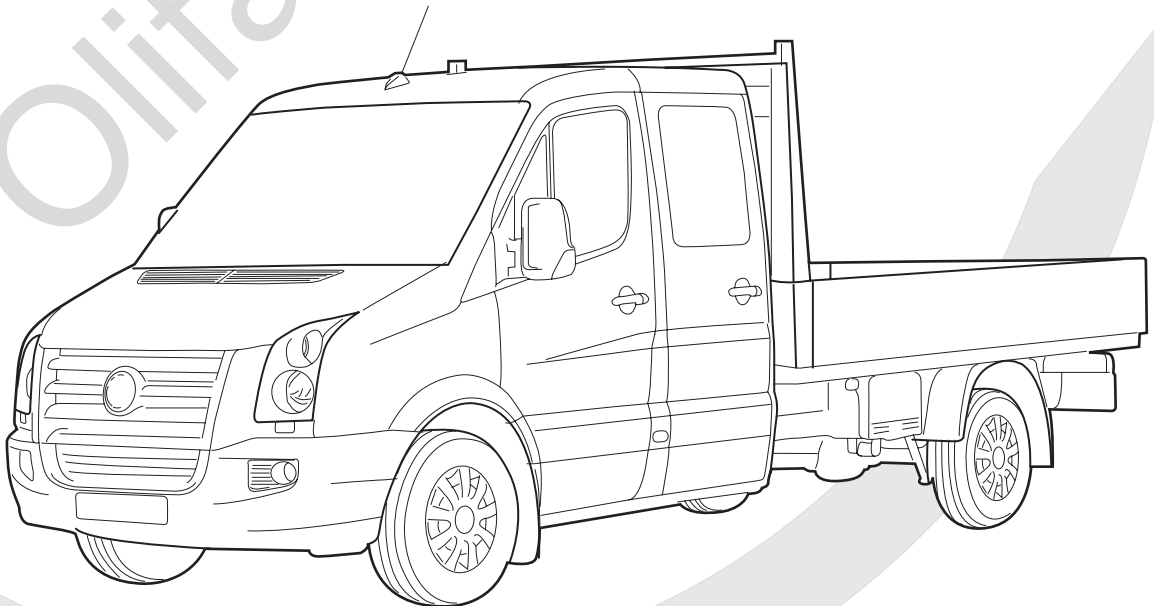
TREKHAKEN • ATTELAGES • ANHÄNGERVORRICHTUNGEN • TOWBARS • ENHANCES • ANHÆNGERTRÆK  
Montagehandleiding | instructions de montage | Einbauanleitung | Mounting instruction  
Instrucciones de montaje | monteringsvejledning

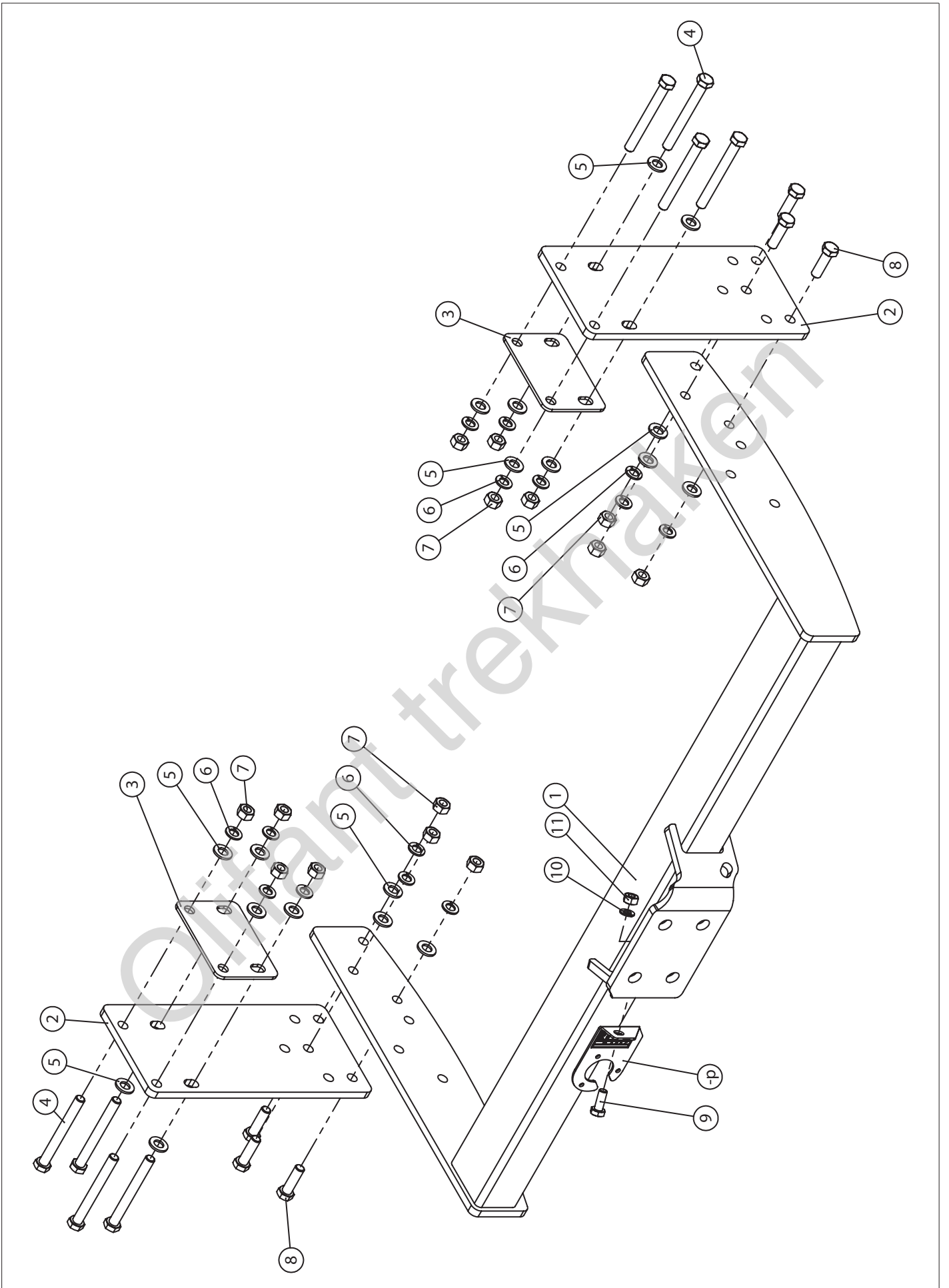


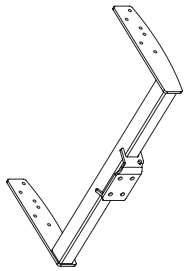
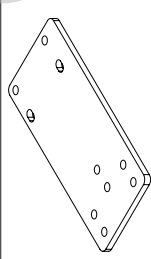
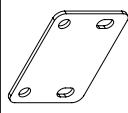

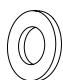







**Mercedes Sprinter W906 + W907 RWD '06 -**  
**Volkswagen Crafter 04/'06 - 12/'16**  
**Hyundai H350 07/'15 -**

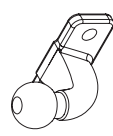





**Mercedes Sprinter pickup W906 + W907 RWD '06-**  
**Volkswagen Crafter pickup 04/'06 - 12/'16**  
**Hyundai H350 pickup 07/'15-**



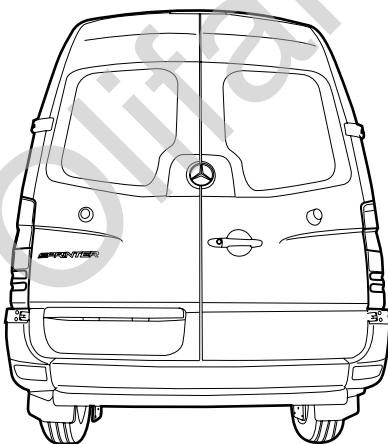


1		X1	GDW REF. 2009
2		X2	GDW REF. 2
3		X2	GDW REF. 3
4		X8	DIN 931-M12X110
5		X18	DIN125-A12-140HV-ELVZ
6		X14	DIN128A-M12
7		X14	DIN934-M12
8		X6	DIN933-M12X40
9		X1	DIN933-M10X25
10		X1	DIN128A-M10
11		X1	DIN934-M10
-P		X1	GDW REF. P29

Geleverd met - Livré avec - Delivered with Gellefert mit - Elementos adjuntos-Leveres med		X1	740.000
		X2	DIN128A-M16
		X2	DIN933-M16 X 50-10.9
		X2	DIN934-M16-10.9

Suited for

Mercedes-Benz:	Sprinter (W906) van without OE step	(single wheels: M + L + XL) (twin wheels: L + XL)
	Sprinter (W906) van with OE step	(single wheels: M + L + XL) (twin wheels: L + XL)
	Sprinter (W906) pickup 3T + 3,5T Chassis Cabin single wheels	
Volkswagen:	Crafter van without OE step	(single wheels: M + L + XL) (twin wheels: L + XL)
	Crafter van with OE step	(single wheels: M + L + XL) (twin wheels: L + XL)
	Crafter pickup 3T + 3,5T Chassis Cabin single wheels	
Hyundai:	H350 van without OE step	(single wheels: L)
	H350 pickup 3T + 3,5T Chassis Cabin single wheels	



Vehicles with OE step

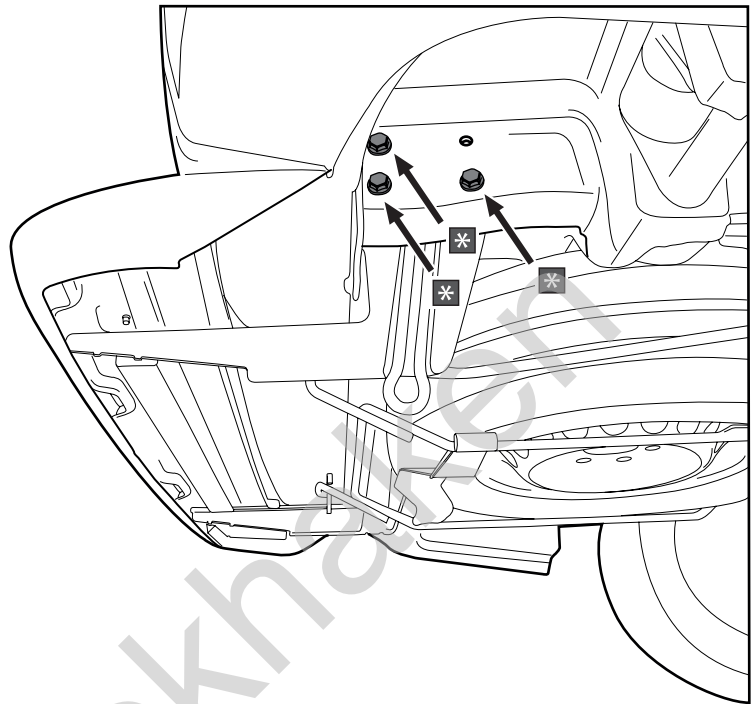
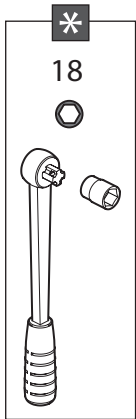
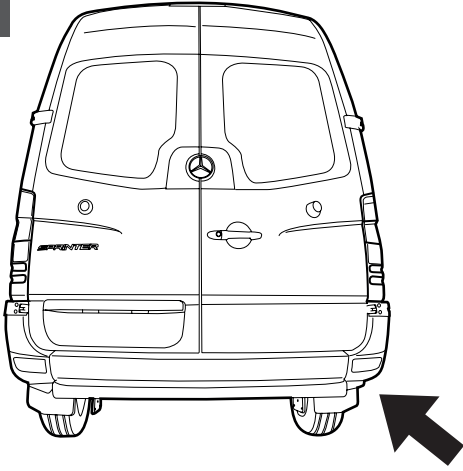


Vehicles without OE step

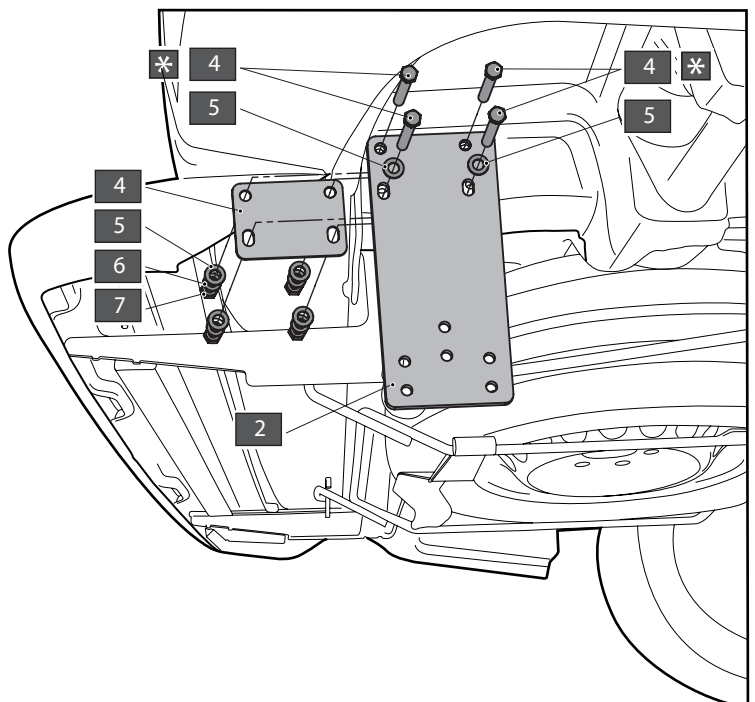
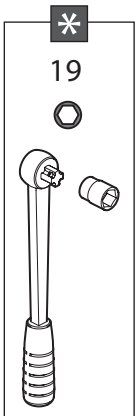
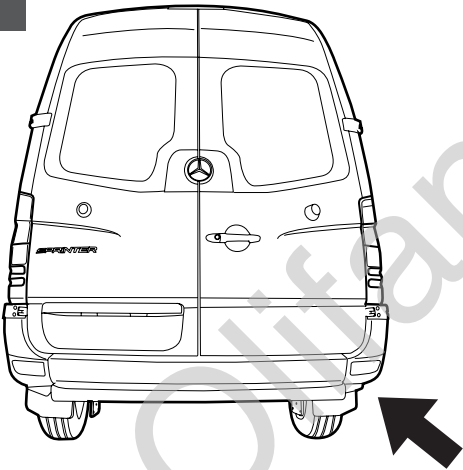


3

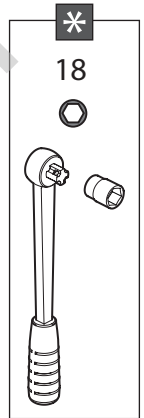
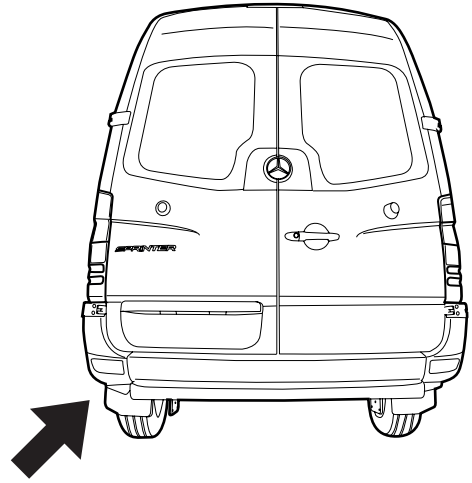
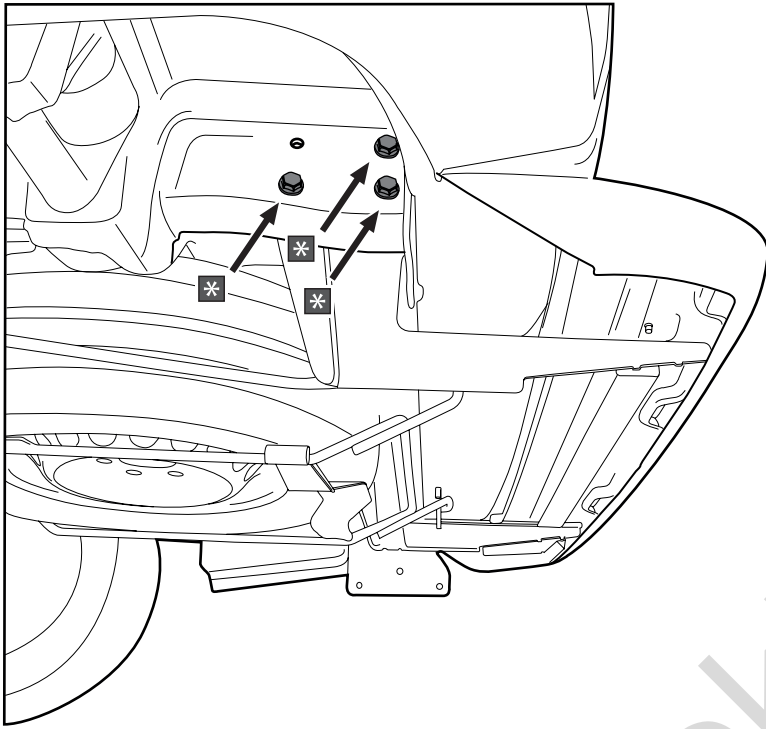
Mercedes Sprinter met OE opstap



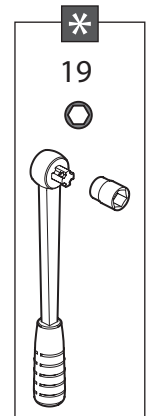
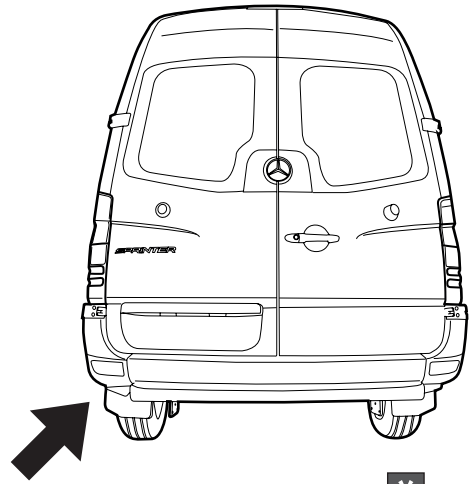
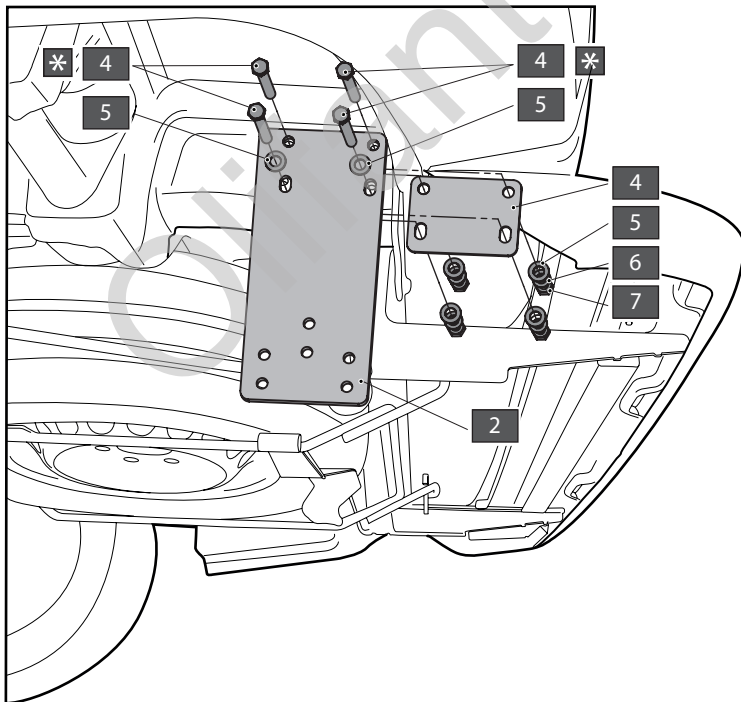
4

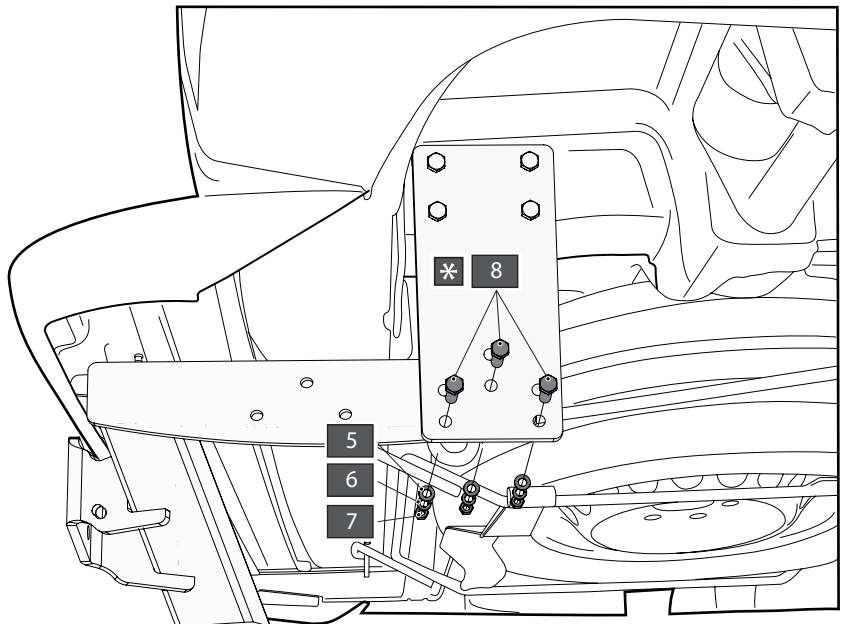
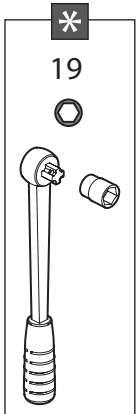
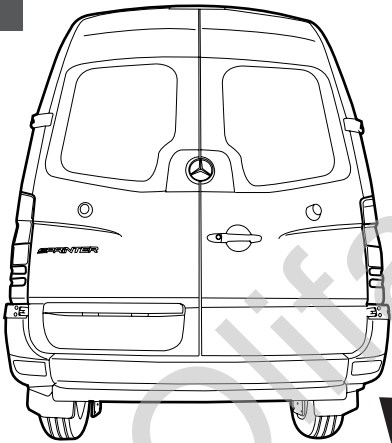
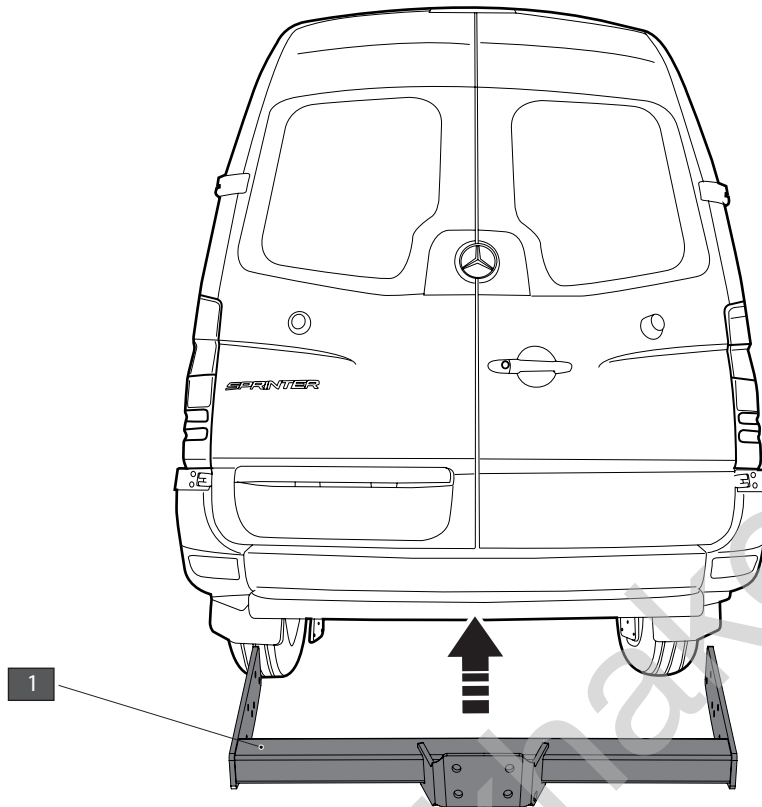


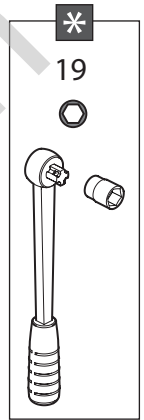
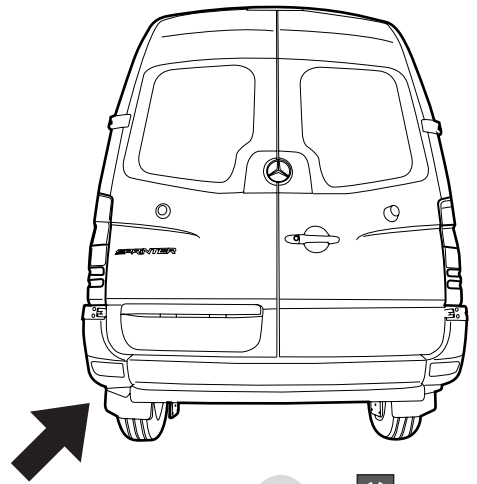
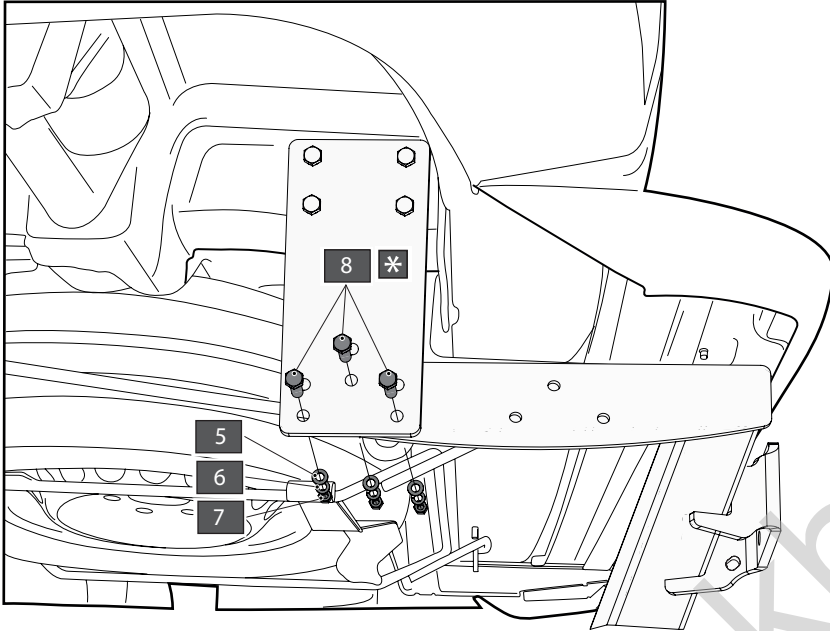
5



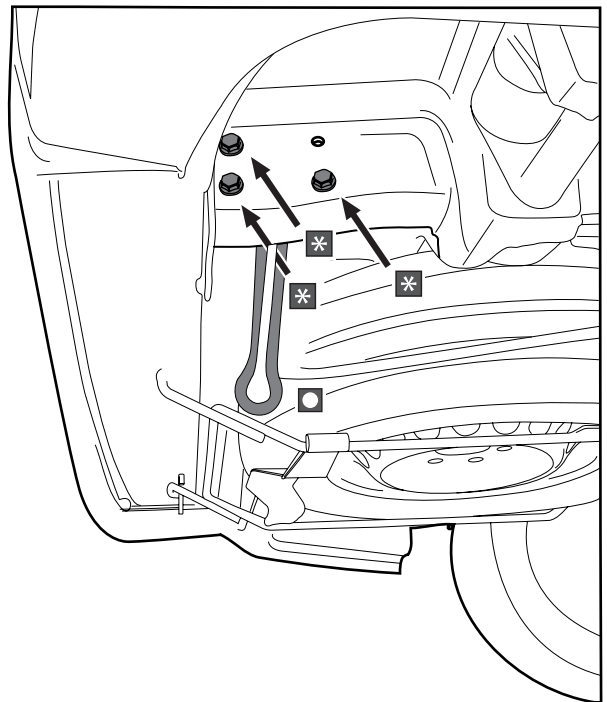
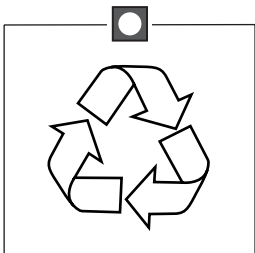
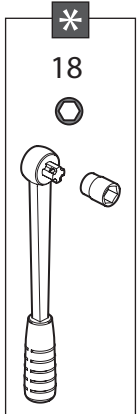
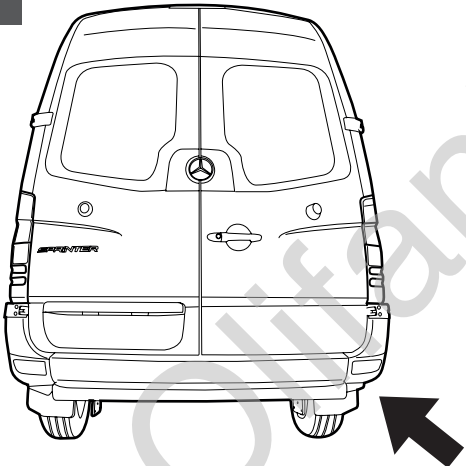
6





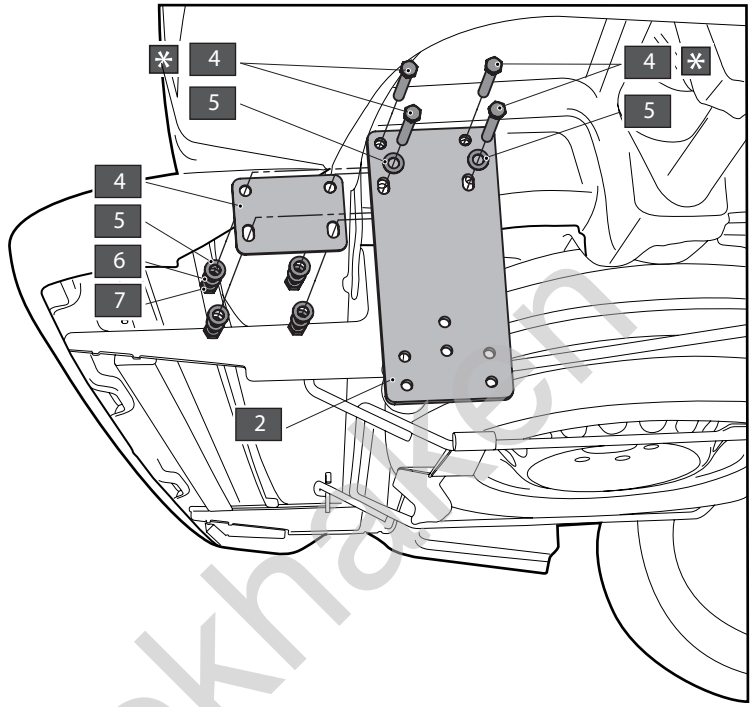
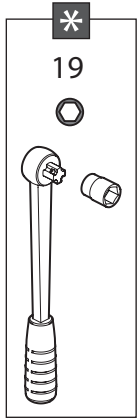
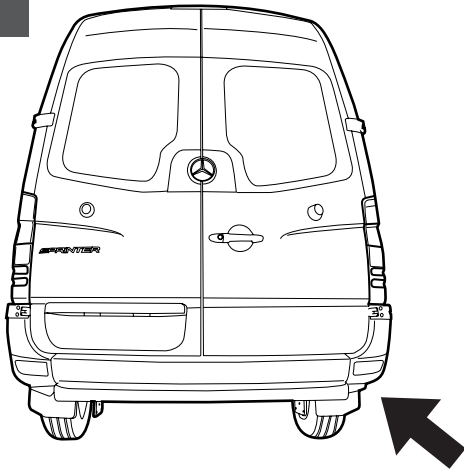


Vehicles without OE step

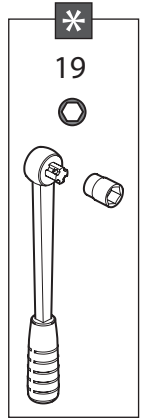
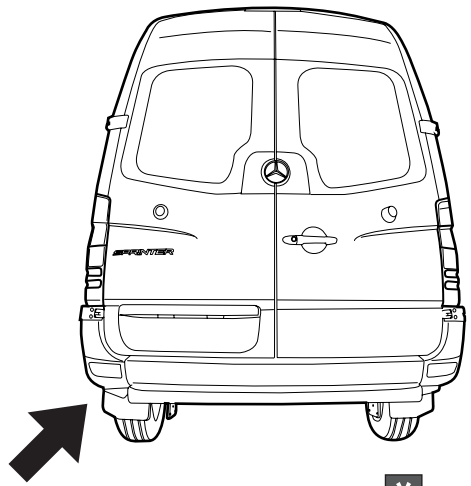
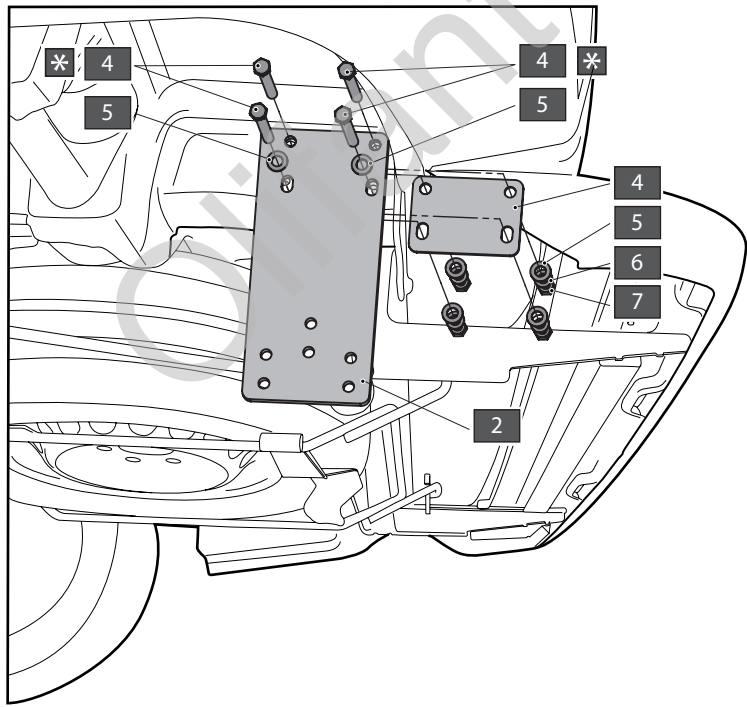


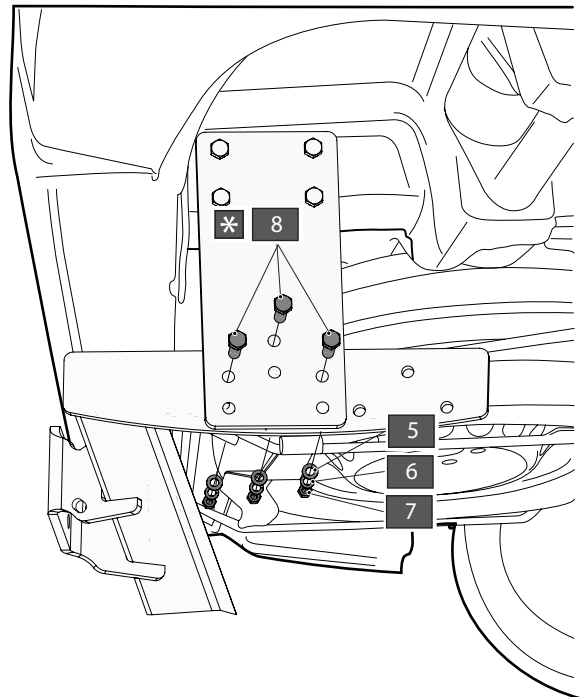
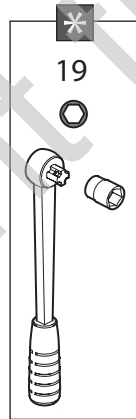
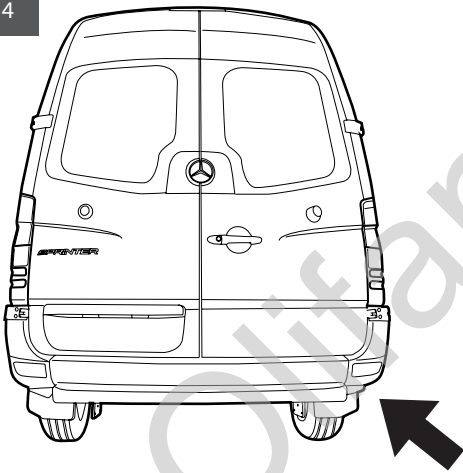
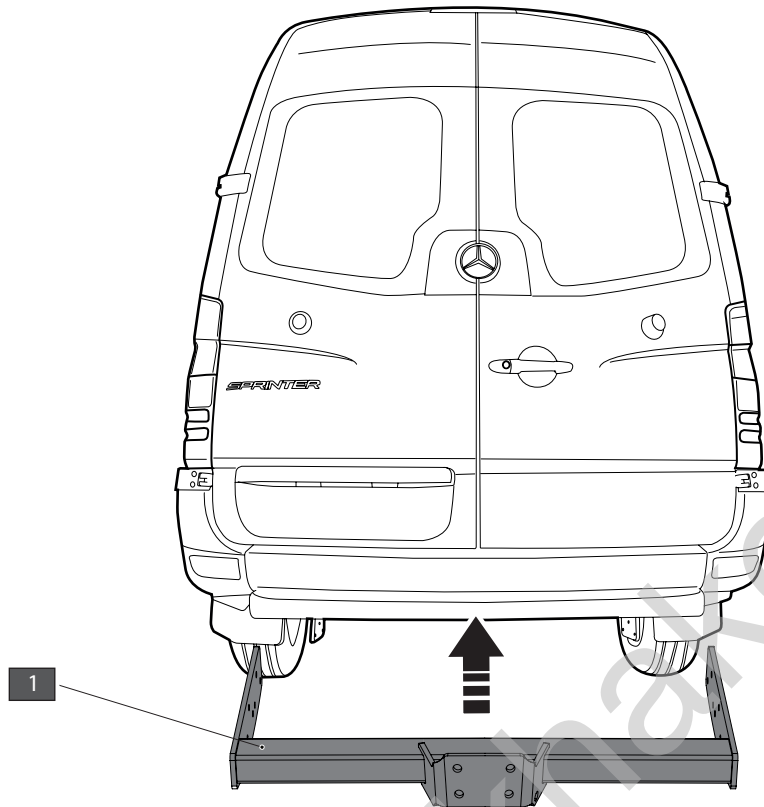


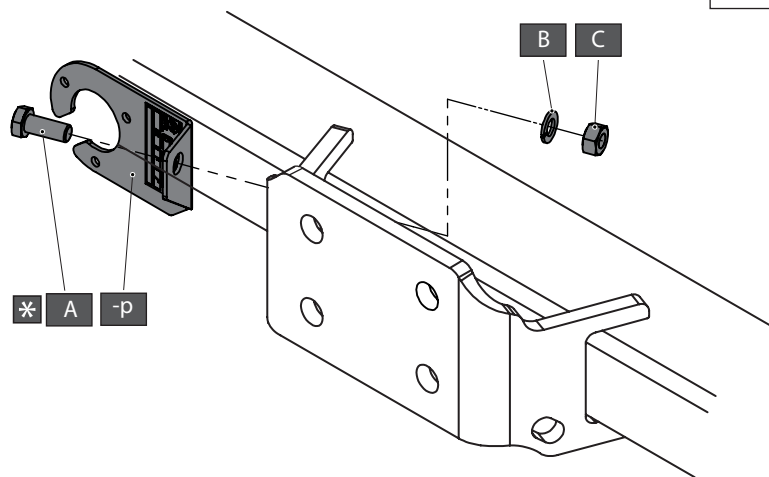
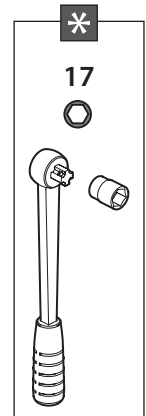
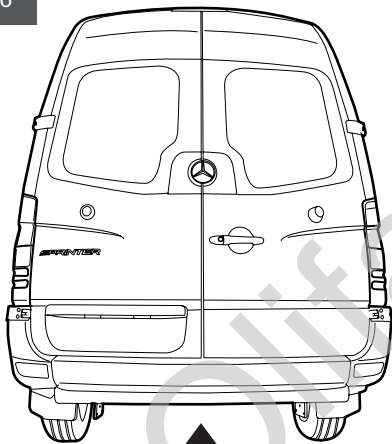
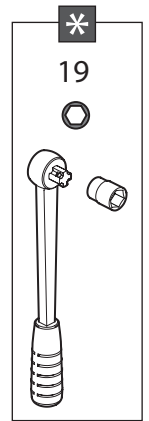
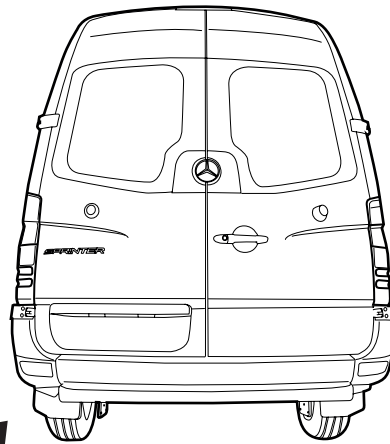
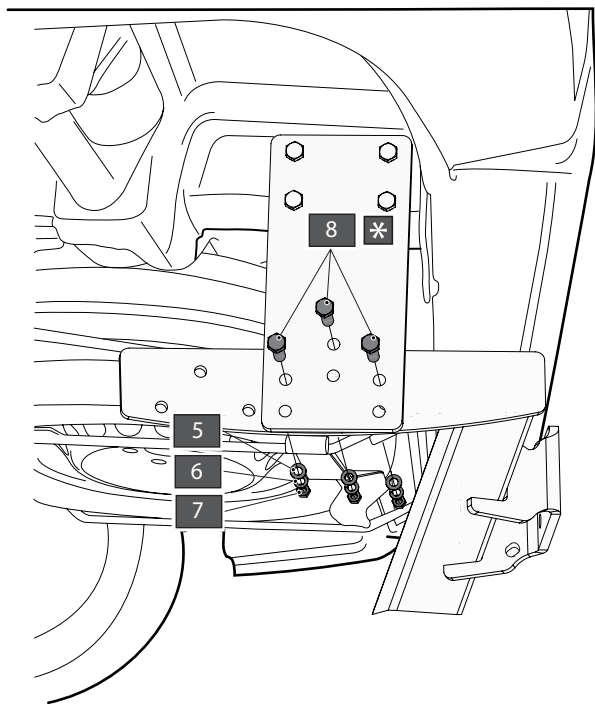
11




12






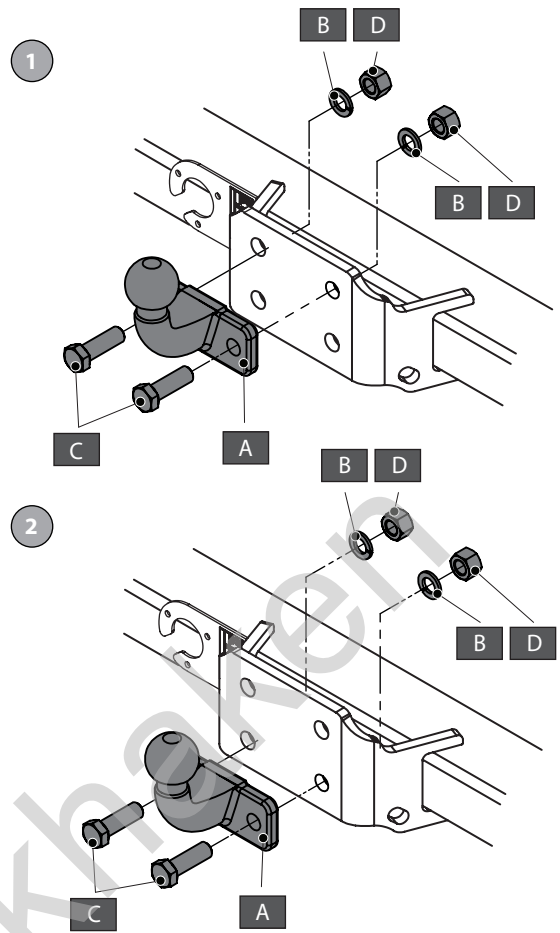
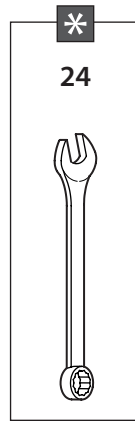
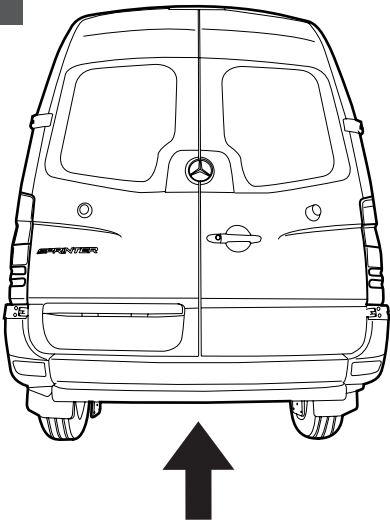


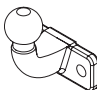

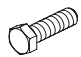

A  X1 DIN933-M10X25

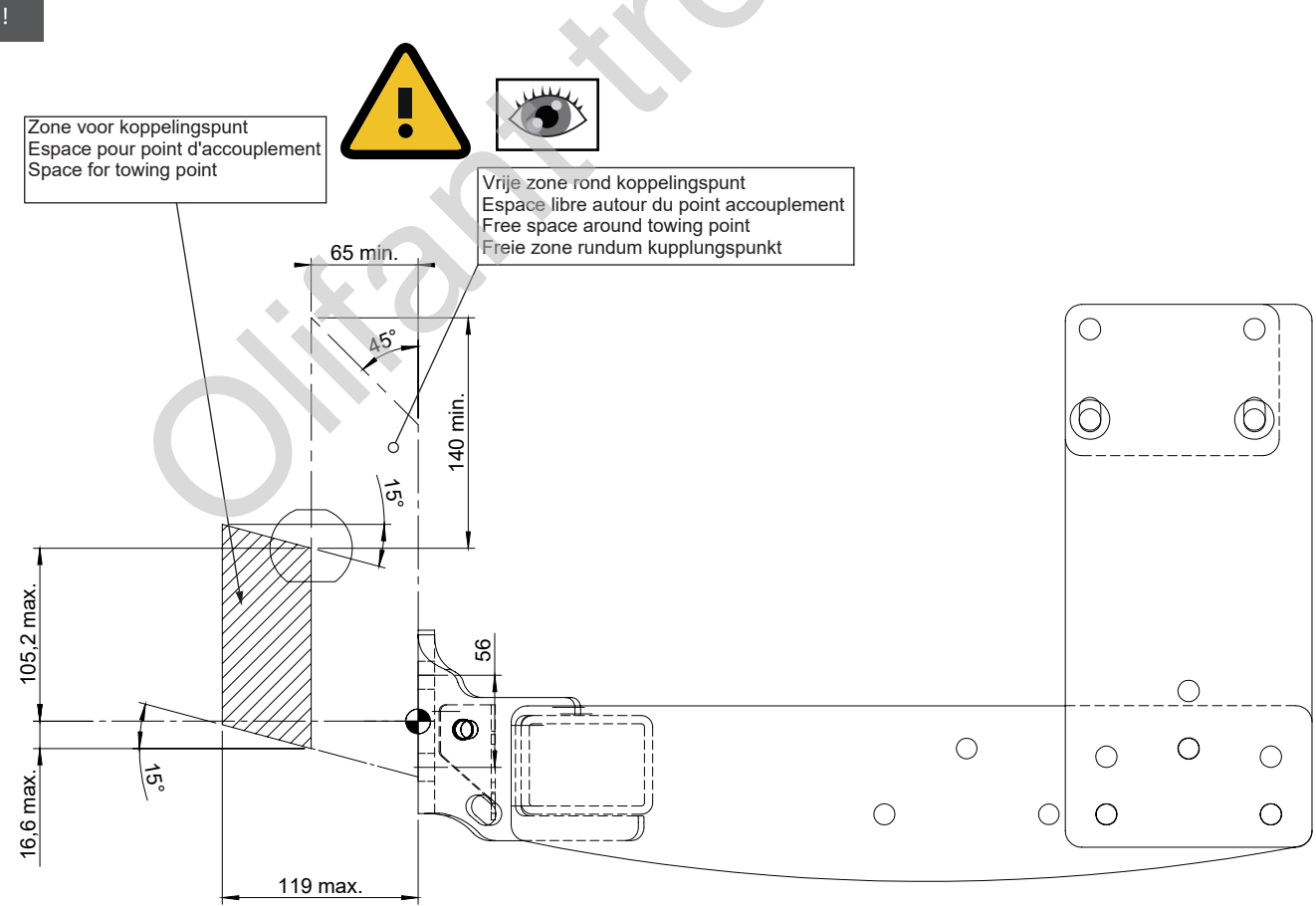
B  X1 DIN128A-M10

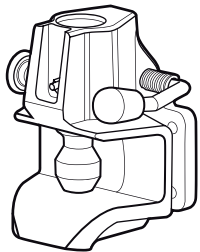
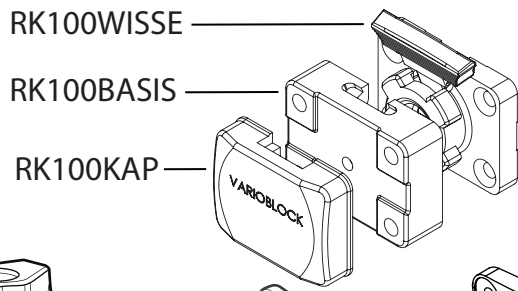
C  X1 DIN934-M10

-P  X1 GDW REF. P29

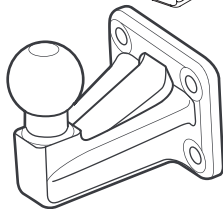


A		X1	740.000
B		X2	DIN128A-M16
C		X2	DIN933-M16 X 50-10.9
D		X2	DIN934-M16-KL10

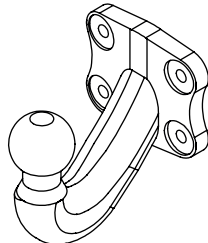




RK243U115E



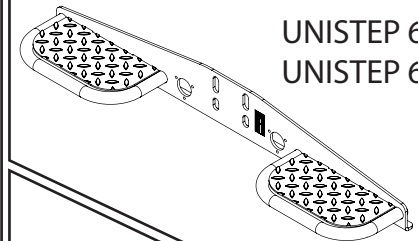
740.010



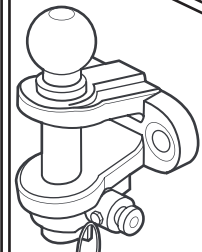
740.011



Art. **ADAPT83x56**



UNISTEP 630.100  
UNISTEP 630.110



740.043

