

# AUTO-HAK Sp. z o.o.

ul. Słoneczna 16K 76-200 SŁUPSK  
POLAND

tel/fax +48 59 8 414 414; +48 59 8 414 413

e-mail: [office@autohak.com.pl](mailto:office@autohak.com.pl)

[www.autohak.com.pl](http://www.autohak.com.pl)



# AUTO-HAK

## BMW

seria 5, G30, 4 d., +M-Pakiet

Nr kat.

**B28**



03.2017 →



E20-55R-01 5396



2h



11,5 kN



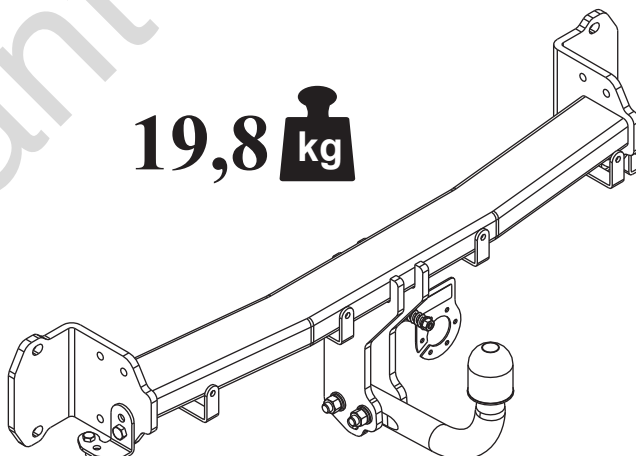
R=2120 kg



S=90 kg



19,8 kg



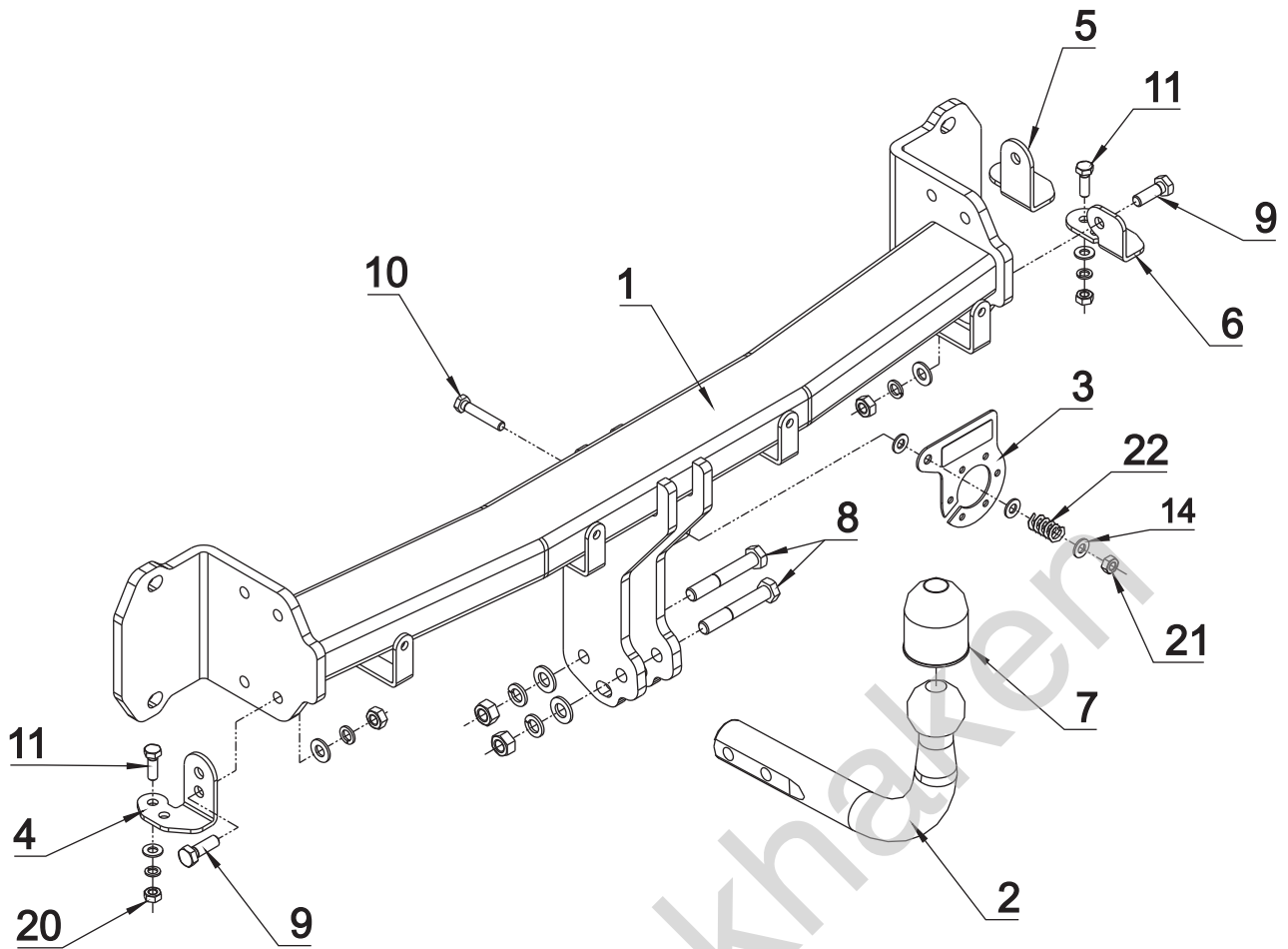
śruba	Nm	M6	M8	M10	M12	M14	M16
klasa 8.8		9,9	24	48	83	132	200
klasa 10.9		14	34	67	117	185	285

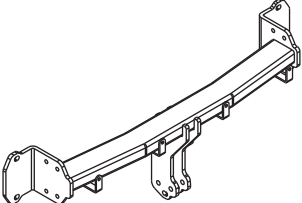

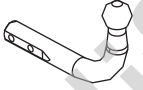





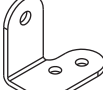

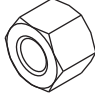


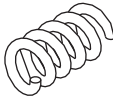


0 km →

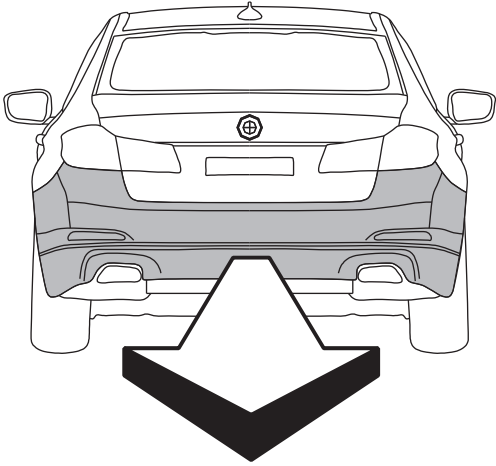


1000 km

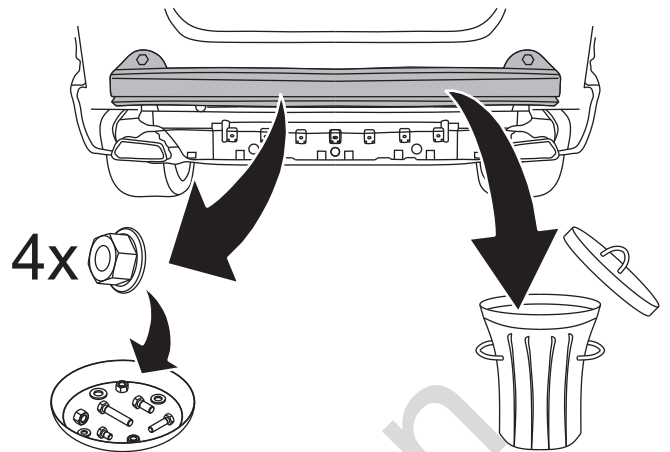


1		x1		8	M12x75	x2
				9	M10x30	x2
				10	M8x45	x1
				11	M8x25	x2
				12	∅ 13	x2
2		x1		13	∅ 10.5	x2
				14	∅ 8.5	x5
3		x1		15	∅ 12.2	x2
				16	∅ 10.2	x2
4		x1		17	∅ 8.2	x2
5		x1		18	M12	x2
6		x1		19	M10	x2
				20	M8	x2
7		x1		21	M8 (DIN985)	x1
				22		x1

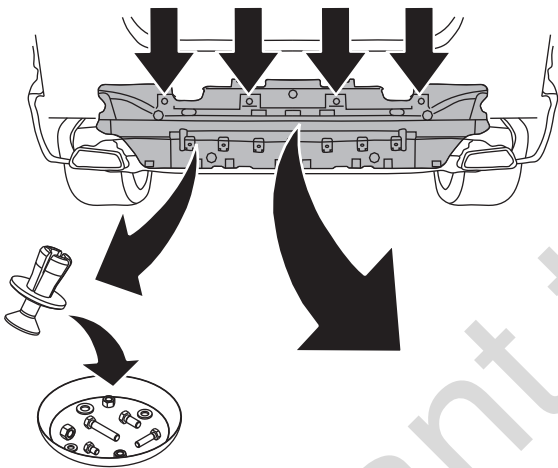
01



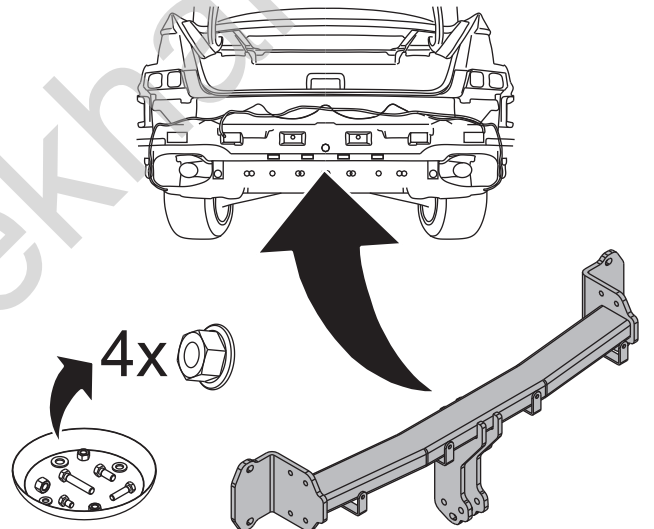
02



03



04



06

