

AUTO-HAK Sp. z o.o.

ul. Słoneczna 16K 76-200 SŁUPSK
POLAND

tel/fax +48 59 8 414 414; +48 59 8 414 413

e-mail: office@autohak.com.pl

www.autohak.com.pl



AUTO-HAK



**BMW 3 (F34)
GRAN TURISMO 5D**

Cat. no:

B26A



03.2013 → 02.2014

03.2014 →



E20-55R-01 4828



2h



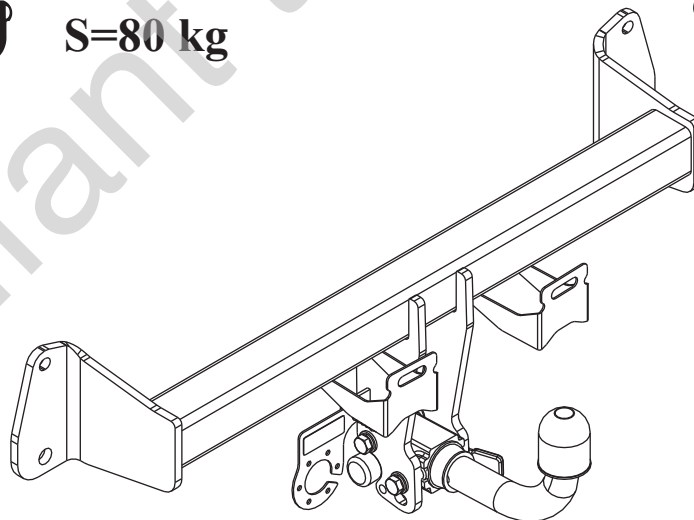
10,2 kN



R=1950 kg



S=80 kg



M6 - 8,5 Nm
M10 - 41 Nm
M14 - 112 Nm

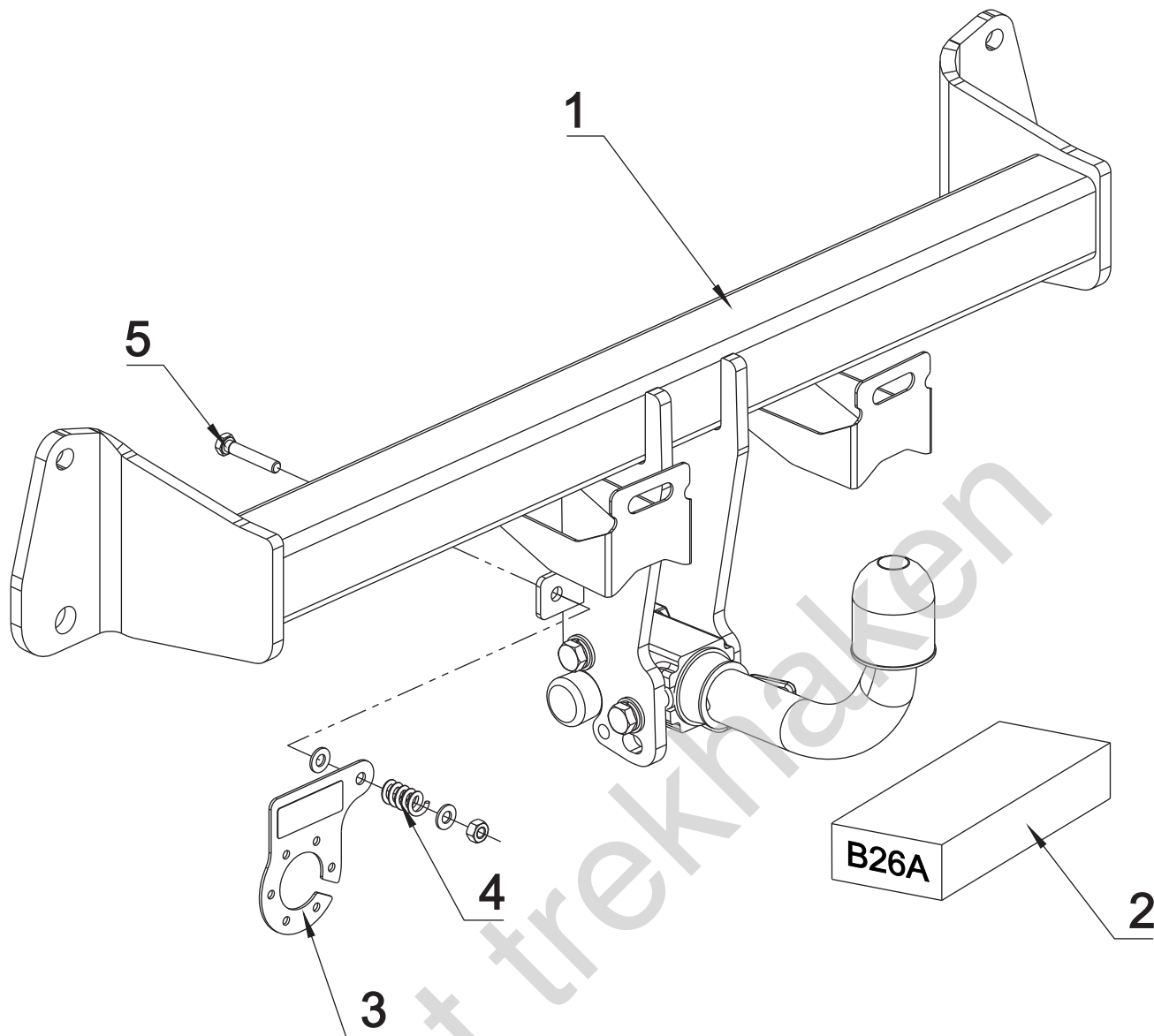
M8 - 20 Nm
M12 - 70 Nm
M16 - 170 Nm

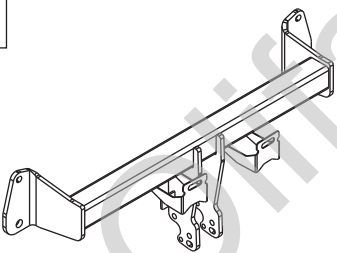


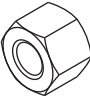
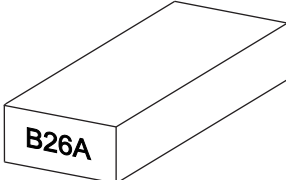
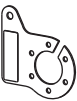



0 km →

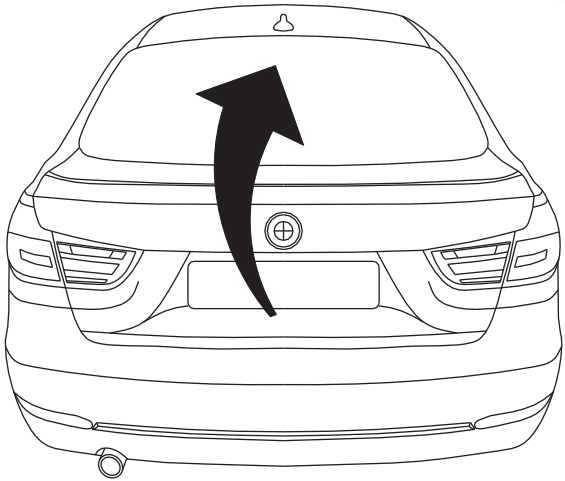


1000 km

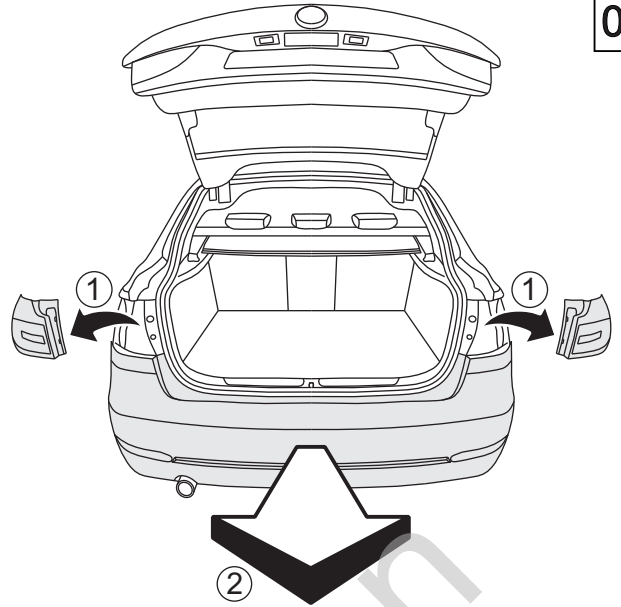


1		x1		5 M8x45	x1
				6 \varnothing 8.5	x2
				7 M8	x1
2		x1			
	Art.nr-KL1B26A				
3		x1			
	Art.nr-BL1B26A				
4		x1			

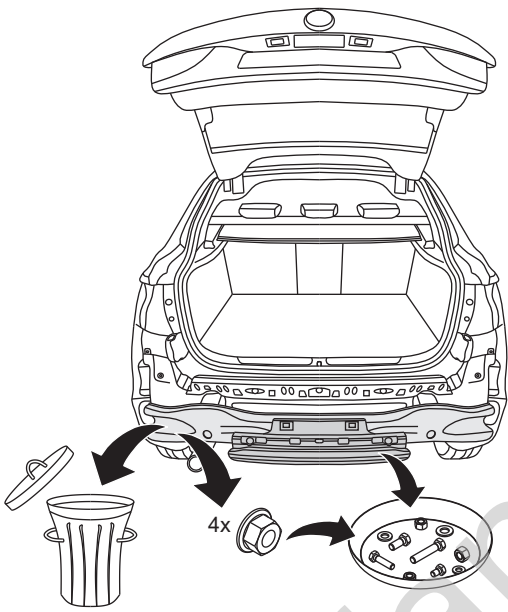
01



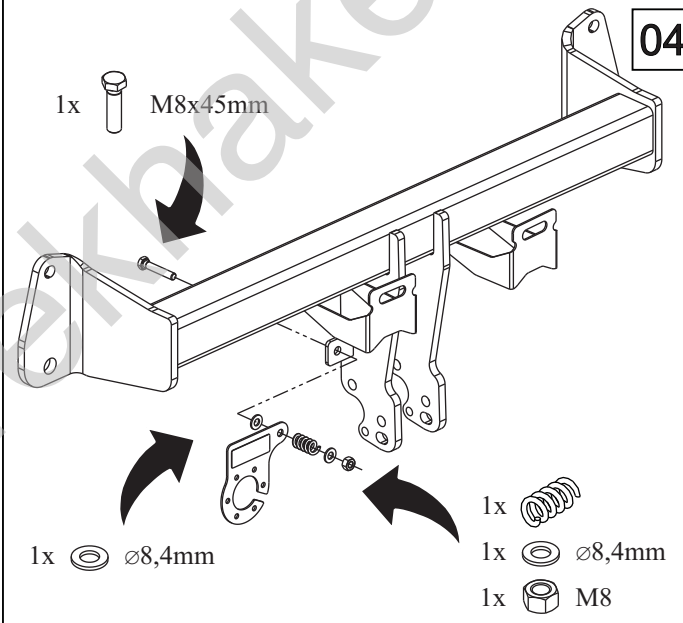
02



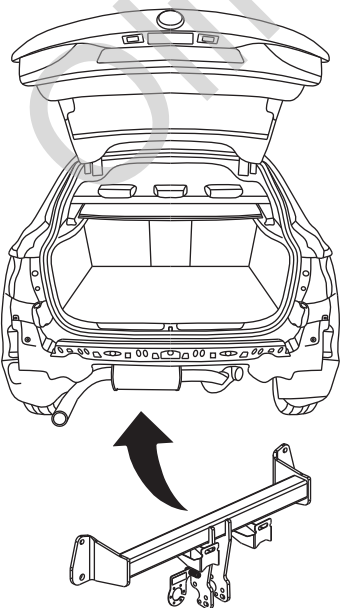
03



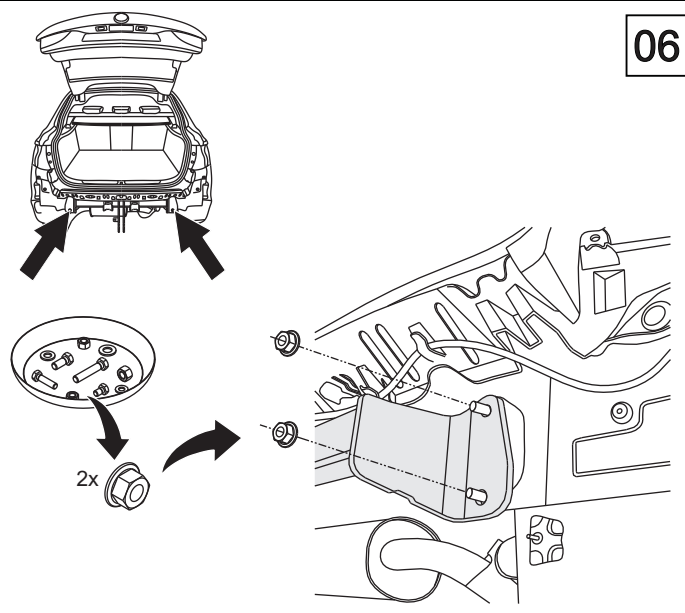
04

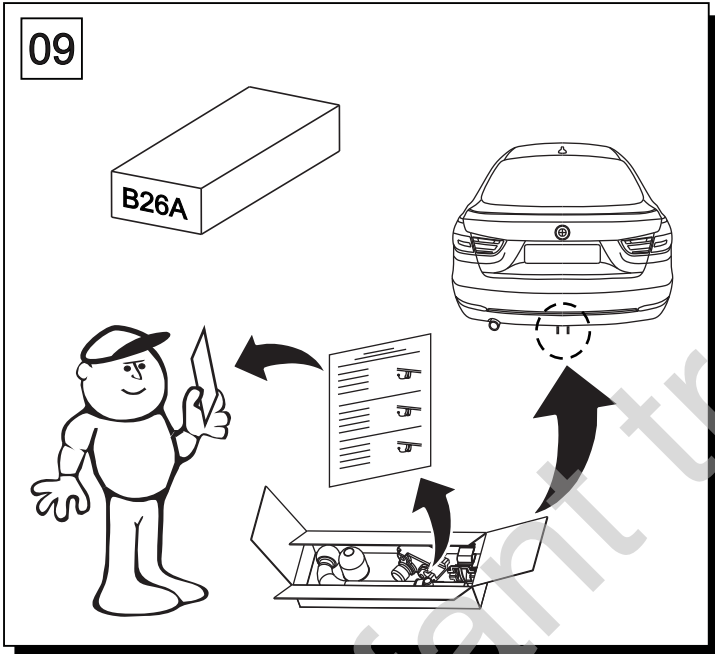
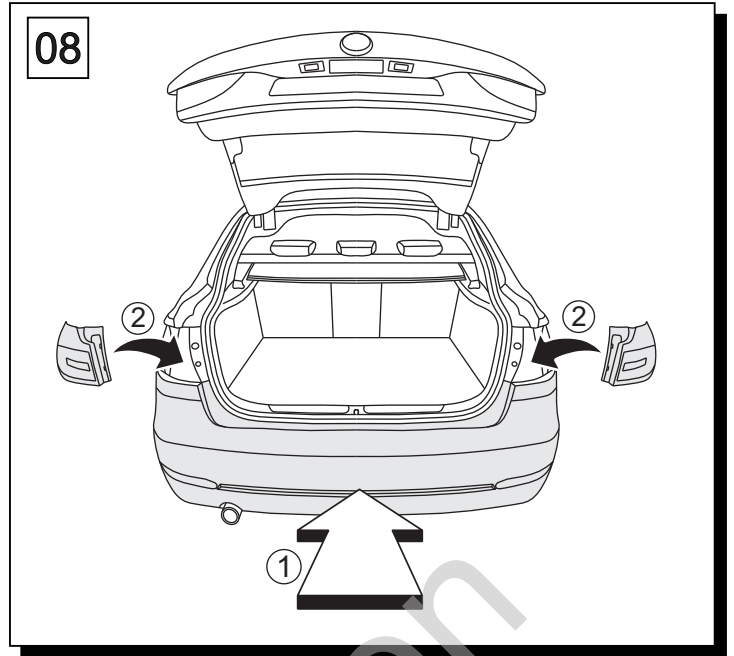
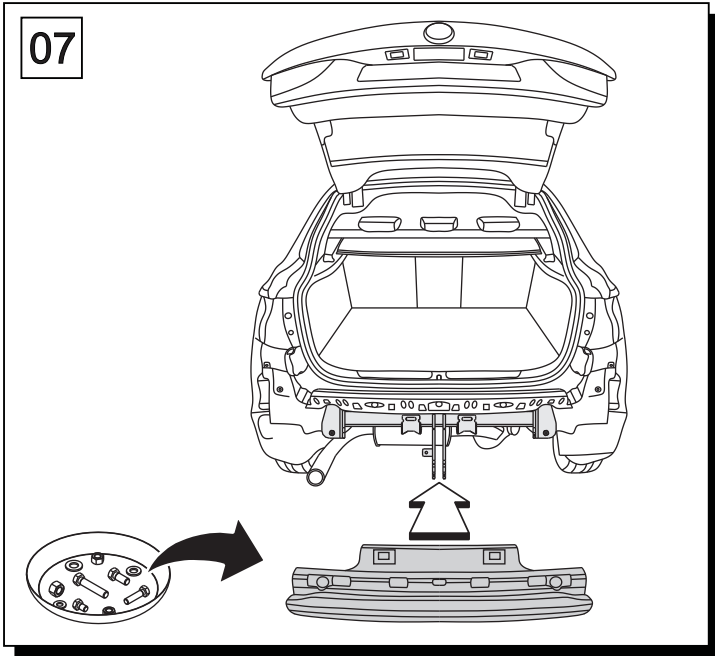


05



06





Olitallu trekhaken