



TREKHAKEN • ATTELAGES • ANHÄNGERVORRICHTUNGEN • TOWBARS • ENHANCES • ANHÆNGERTRÆK  
Montagehandleiding | instructions de montage | Einbauanleitung | Mounting instruction  
Instrucciones de montaje | monteringsvejledning

## BMW 2 Active Tourer typ F45

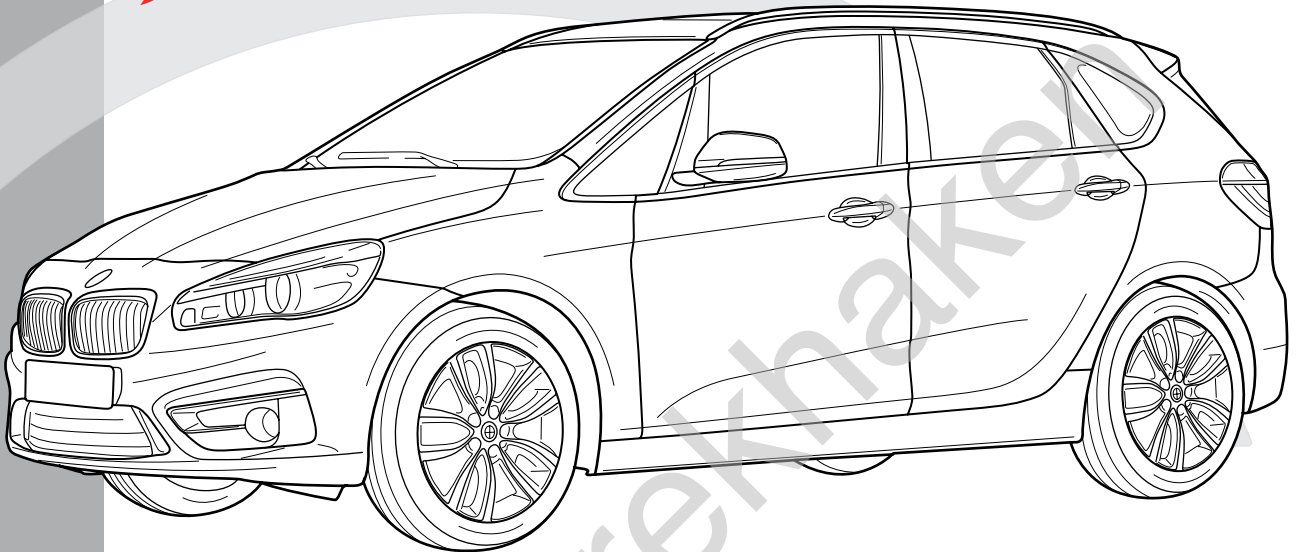
05/'14-



STANDARD

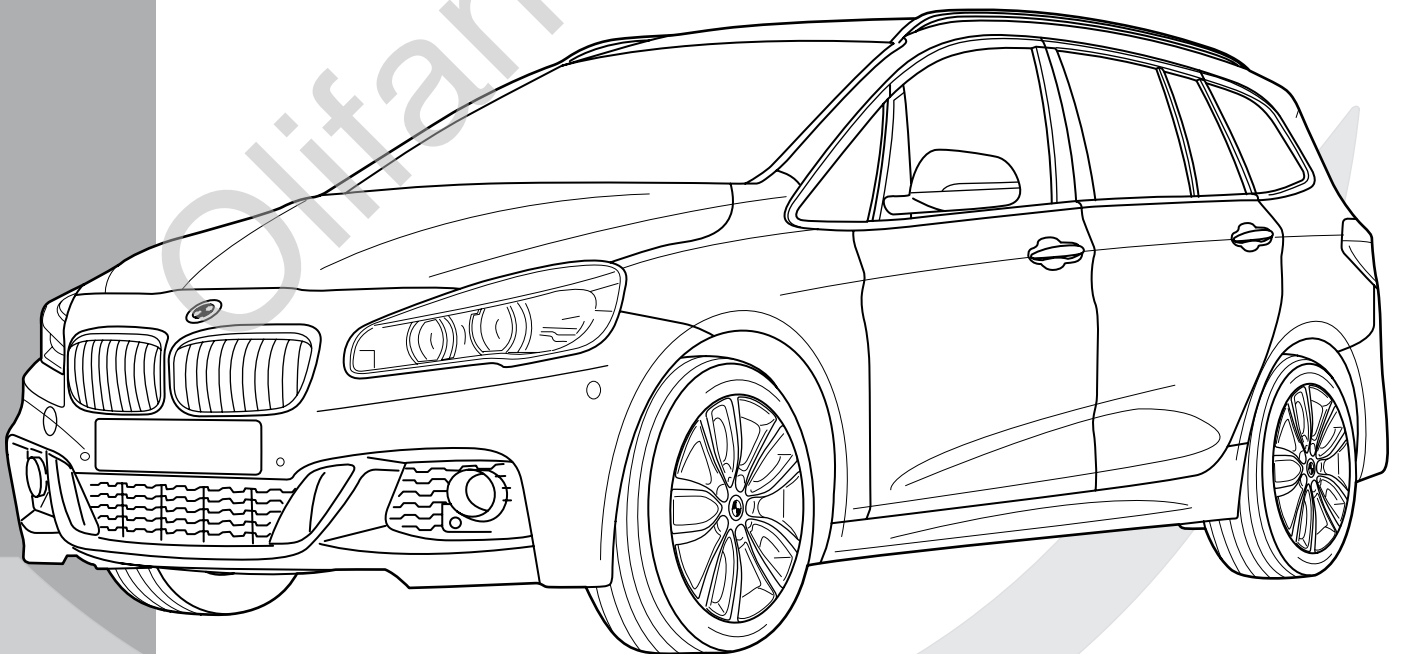


ACTIVE TOURER 225XE I PERFORMANCE




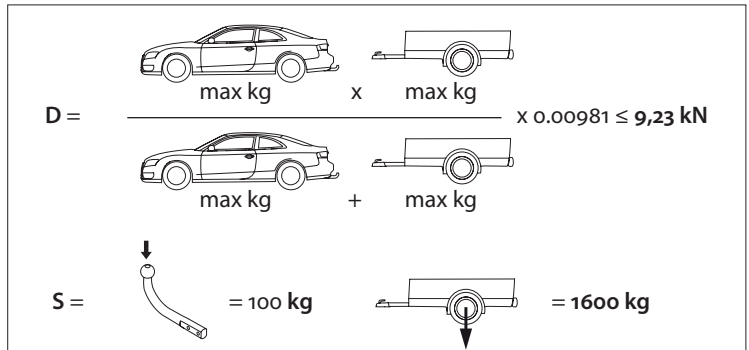
## BMW 2 Gran Tourer typ F46

03/'15-

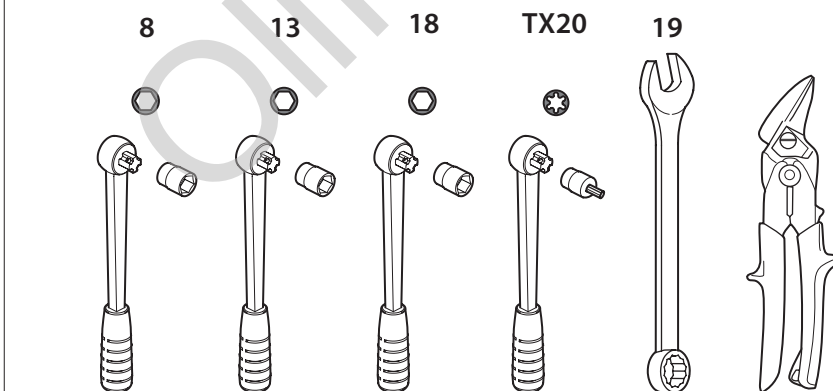
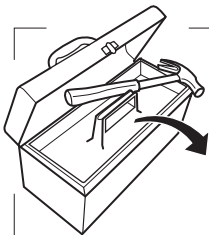


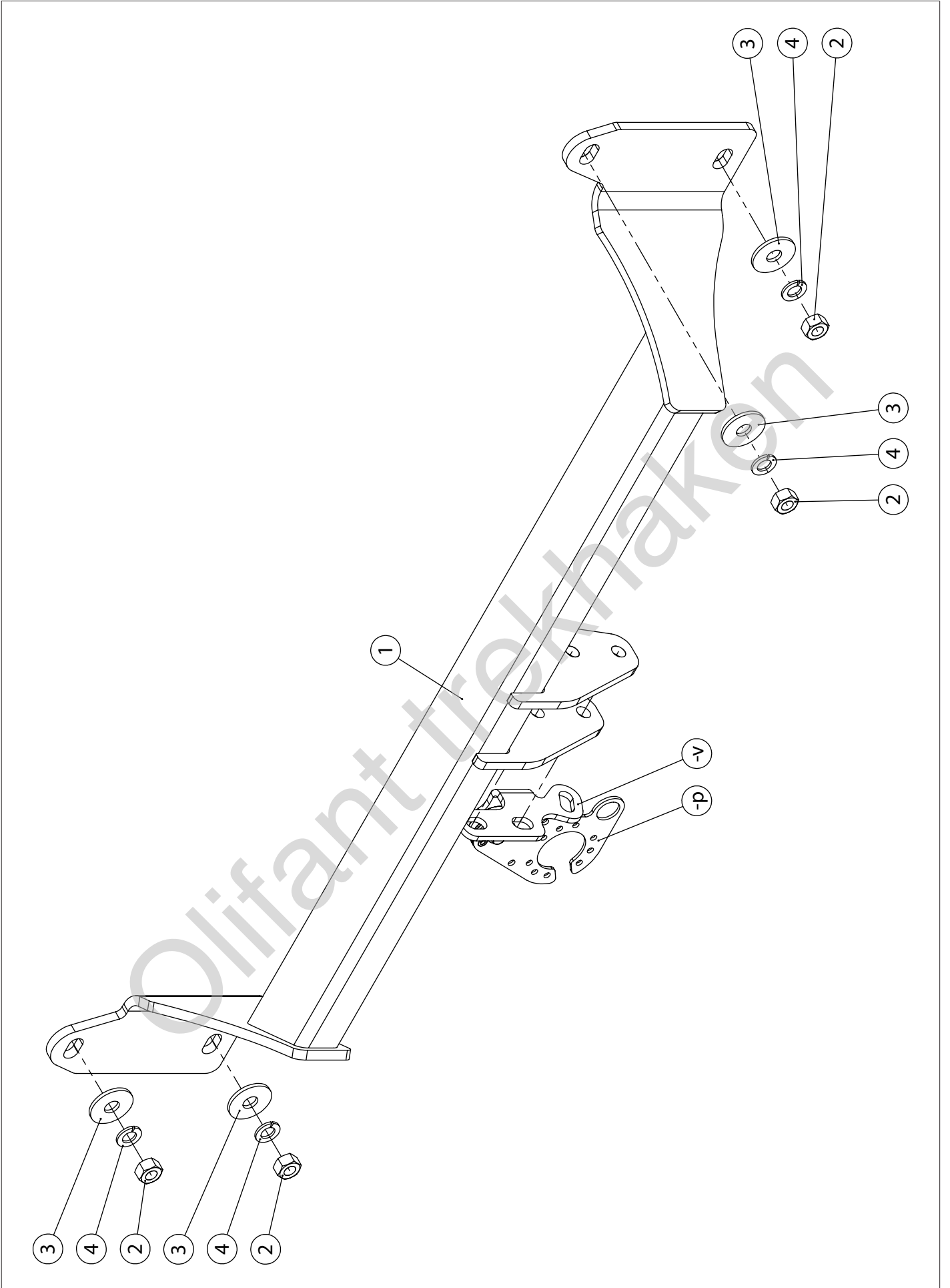
See the Certificate Of Conformity (COC) of your vehicle or contact your dealer to verify the max. trailer weight of your car!

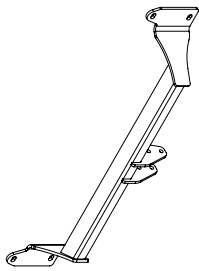


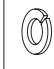
MADE BY	D 9,23	F	E6
	EC APPROVAL N°		
BELGIUM	S 100	55R-011204	
REF N°	SERIE N°		
2018T60	XXXX		
OMSCHRIJVING			
BMW 2 Active Tourer 05/'14- & Gran Tourer 03/'15-			

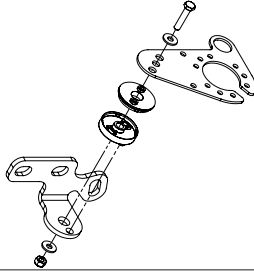
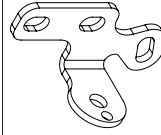




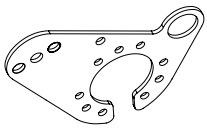



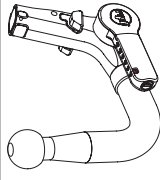
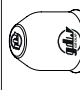
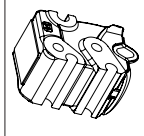


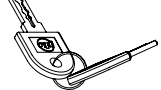

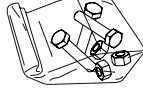




	M 6	M 8	M 10		M 12			M 14		M 16
	1	1,25	1,5	(1,25)	1,75	(1,5)	(1,25)	1,75	(1,5)	2
<b>8.8</b>	11,3 Nm	27,3 Nm	54,0 Nm	57,0 Nm	93,0 Nm	97,0 Nm	101,0 Nm	148,0 Nm	159,0 Nm	230,0 Nm
<b>10.9</b>	16,5 Nm	40,1 Nm	79,0 Nm	83,0 Nm	137,0 Nm	143,0 Nm	149,0 Nm	218,0 Nm	234,0 Nm	320,0 Nm
<b>12.9</b>	19,3 Nm	46,9 Nm	93,0 Nm	98,0 Nm	160,0 Nm	167,0 Nm	174,0 Nm	255,0 Nm	274,0 Nm	395,0 Nm



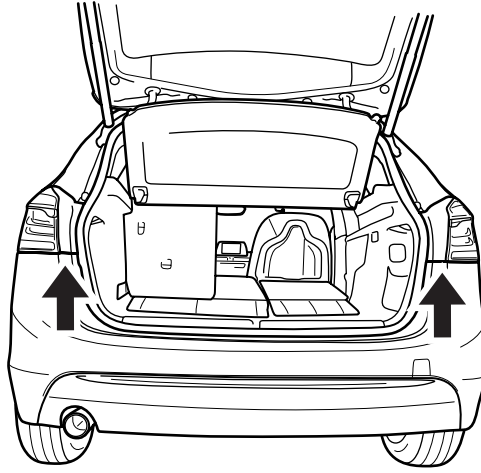


1		X1	GDW REF. 2018T60
2		X4	DIN934-M12x1,5
3		X4	DIN9021-M12-ELVZ
4		X4	DIN128A-M12

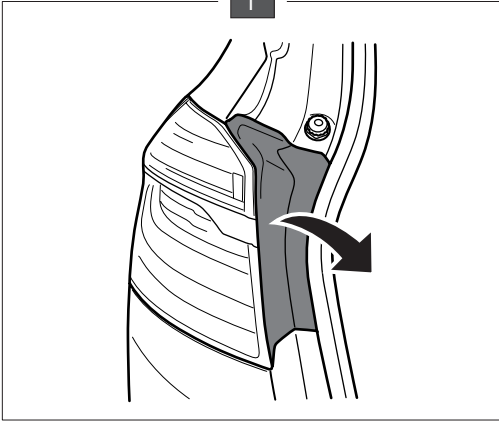
-P		X1	GDW REF. P36
└		X1	GDW REF. 908.092
└		X1	DIN985-M6
└		X2	6,2 X 15,4 X 1,6 (NYLON)
└		X1	GDW REF. 718.16.002
└		X1	GDW REF. 718.16.003
└		X1	GDW REF. 908.094
└		X1	DIN933-M6 X 30

Geleverd met - Livré avec - Delivered with Geliefert mit - Elementos adjuntos - Leverages med		X1	GDW REF. 960.V0610	
	└		X1	GDW REF. 740.200
			X1	GDW REF. 912.003
	└		X1	GDW REF. 740.112
	└		X1	GDW REF. 740.111
			X1	GDW REF. 740.114
			X1	GDW REF. 718.15.001
			X1	GDW REF. SYST60-100
	└		X2	DIN933-M12 X 25
	└		X2	DIN933-M12 X 20
	└		X4	Ø 14 X 24 X 1
	└		X4	DIN128A-M12

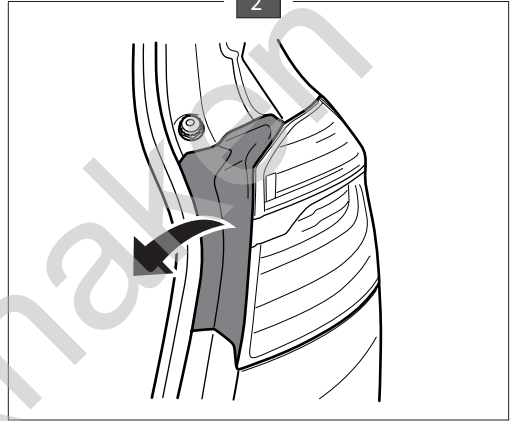
1



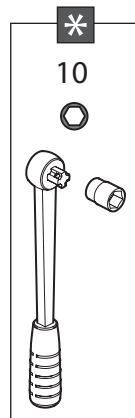
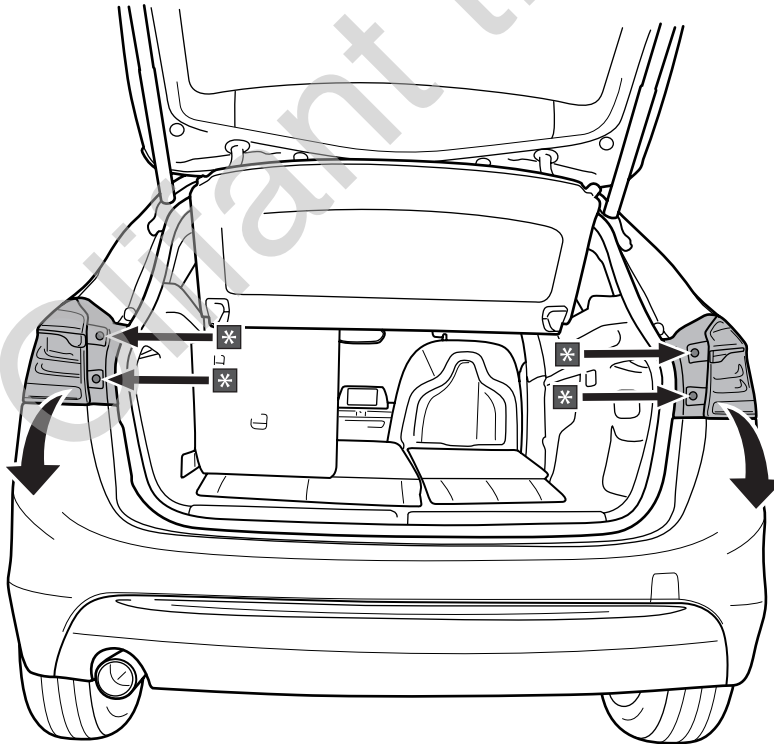
1

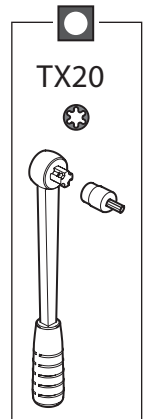
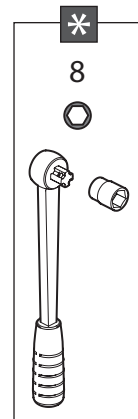
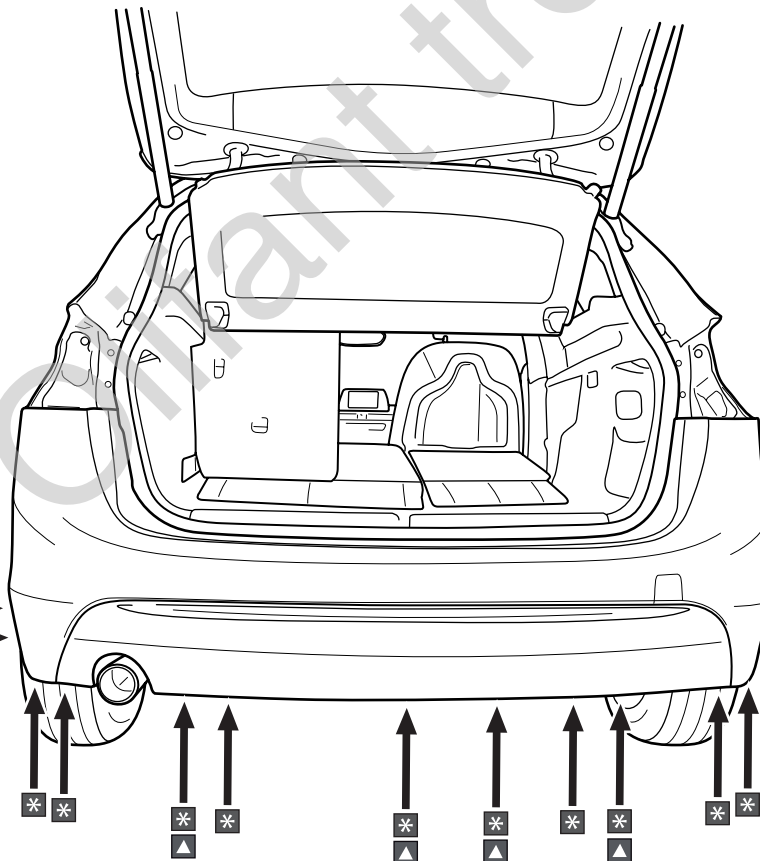
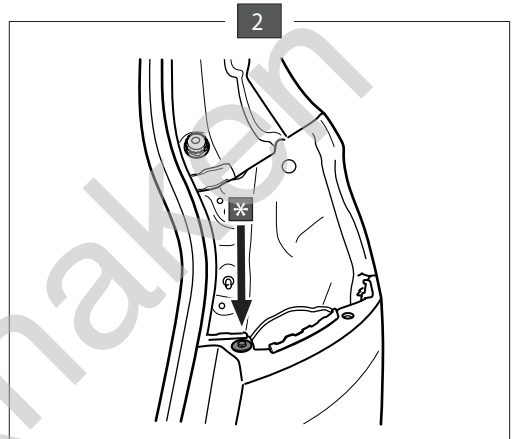
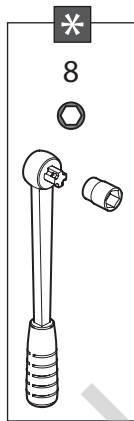
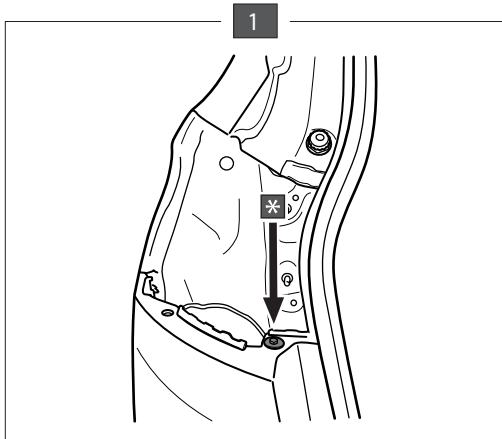
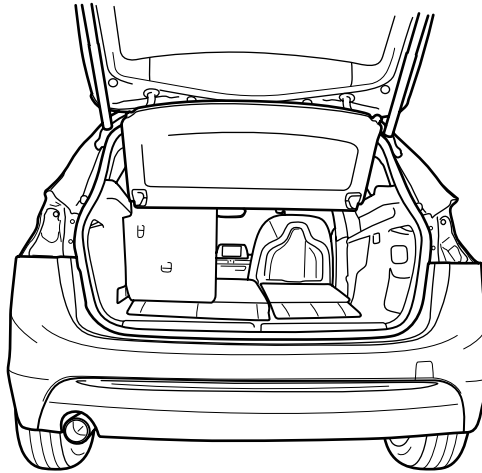


2

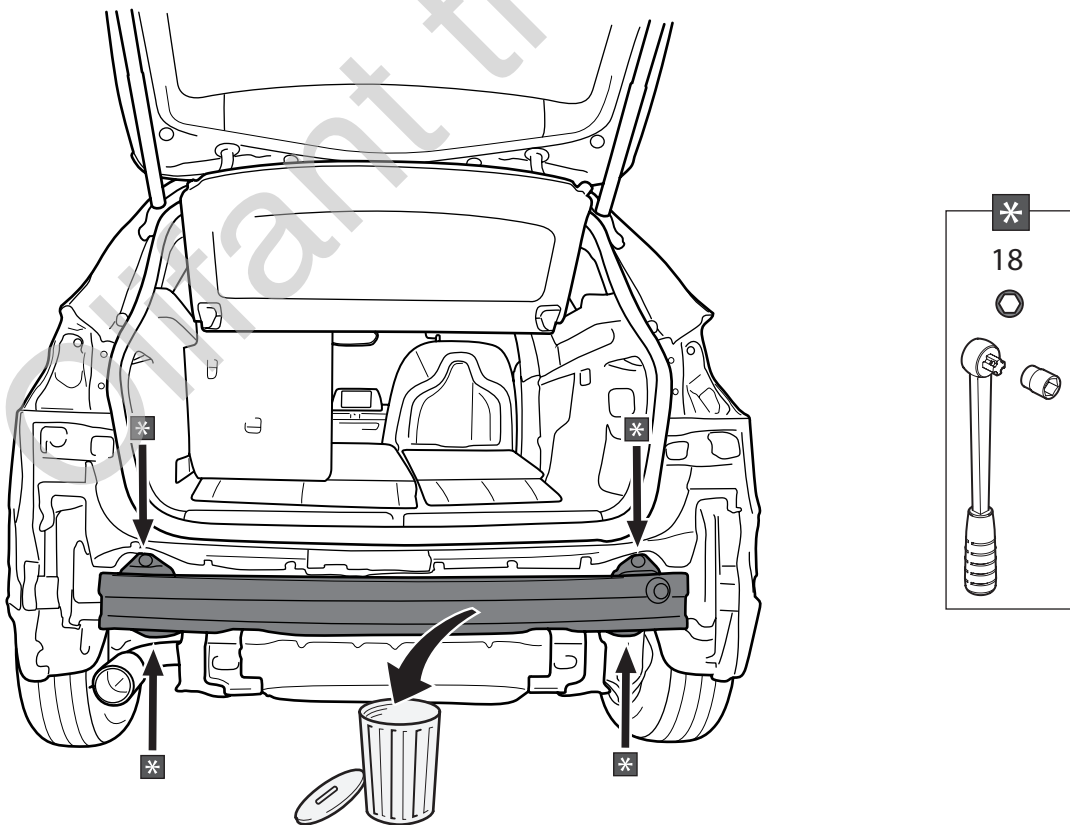
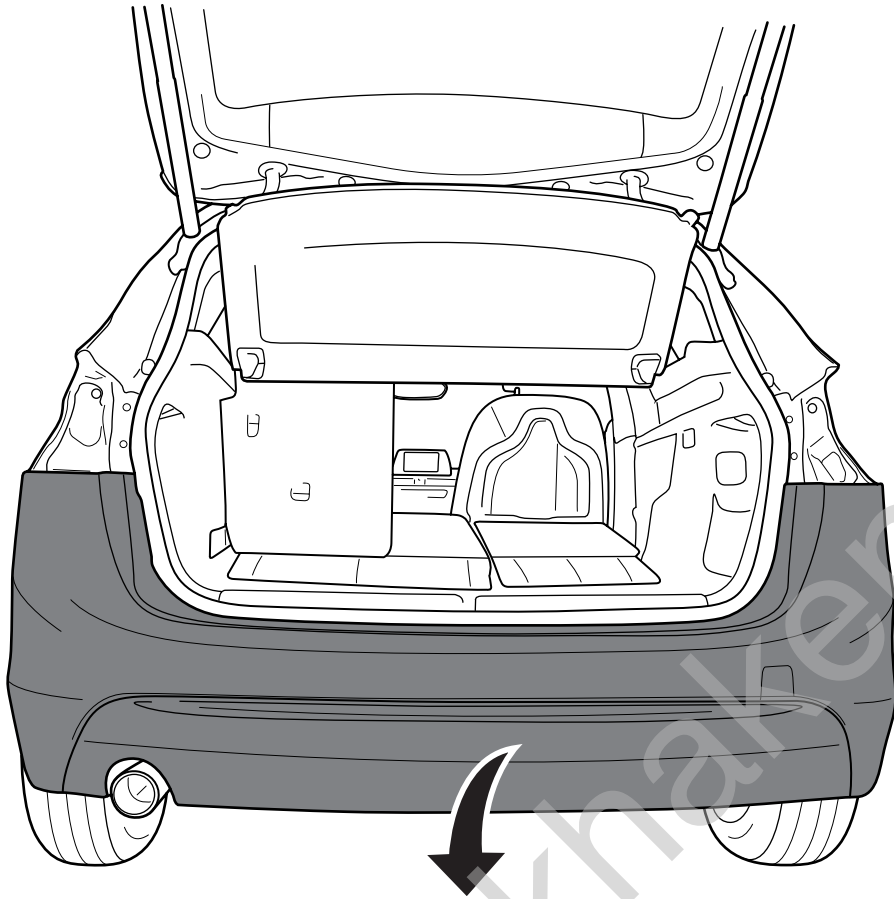


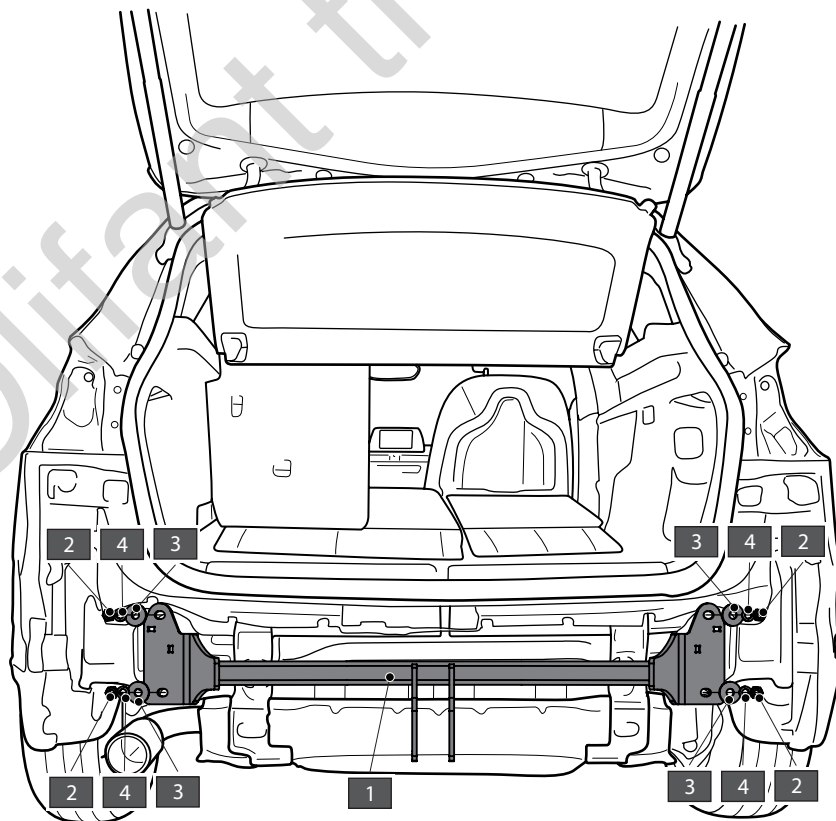
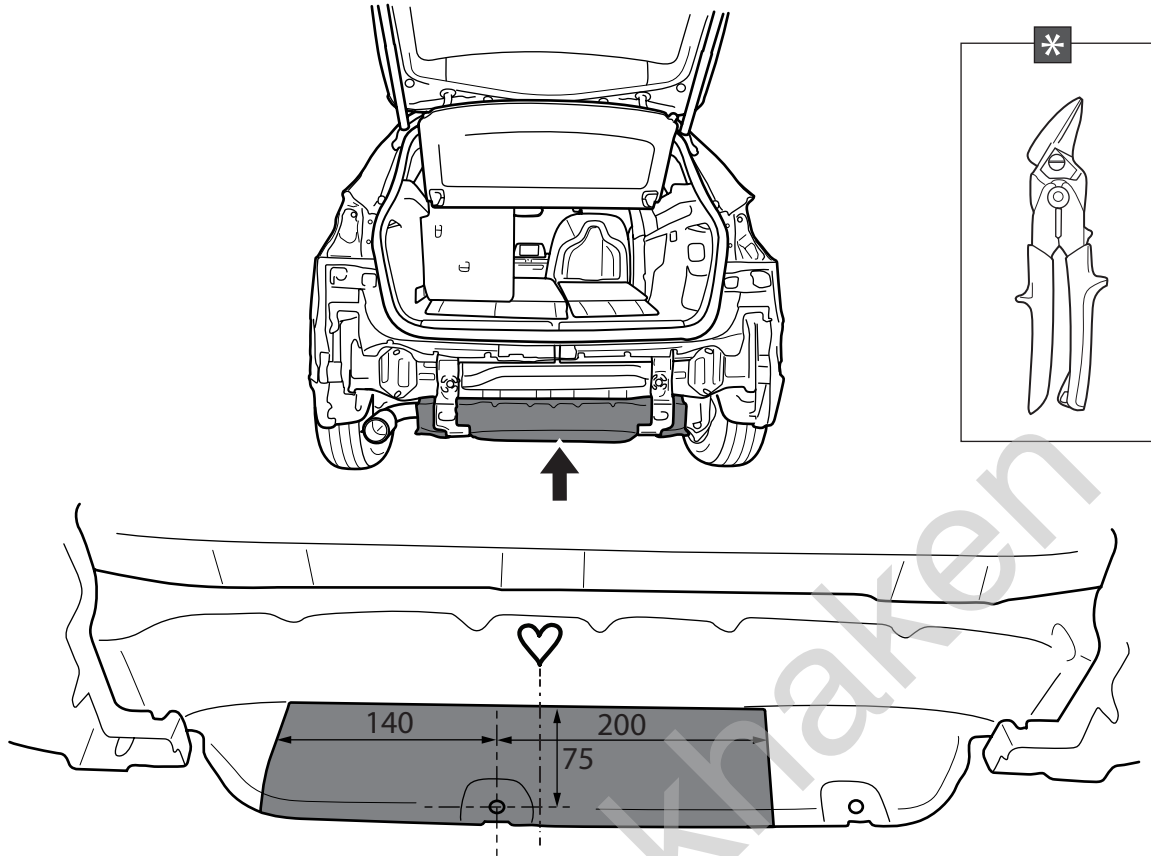
2



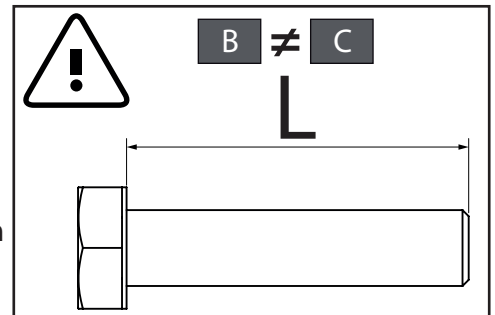
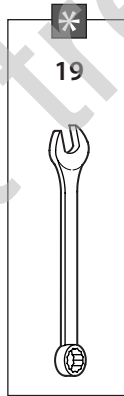
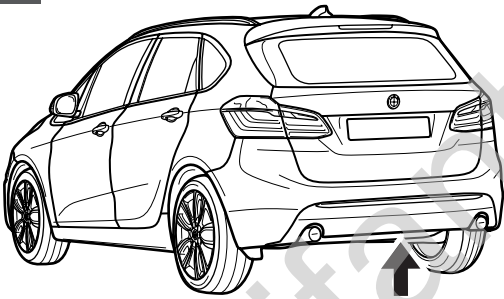
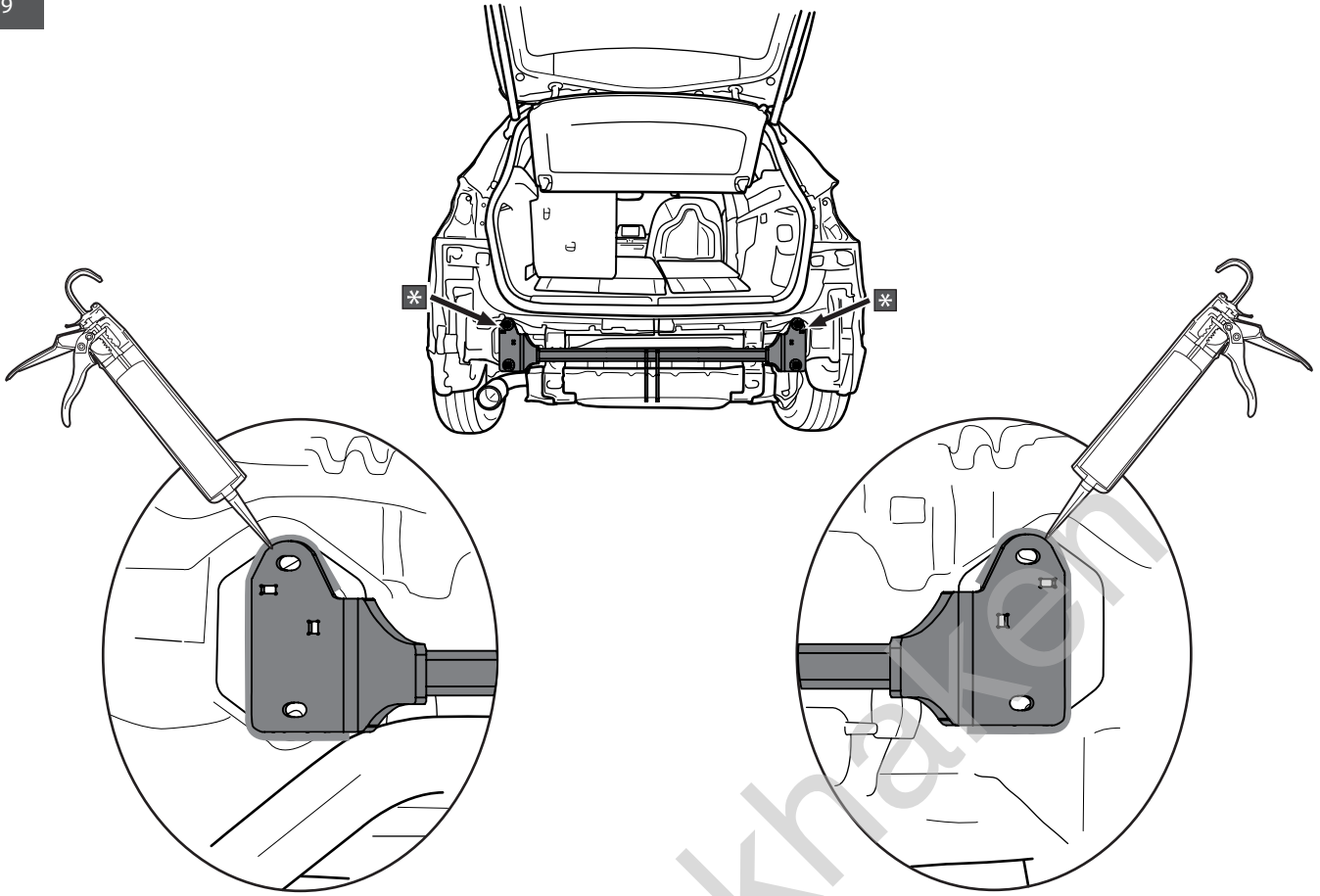


◻ → Active Tourer only

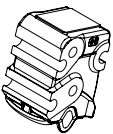








A X1 GDW REF. 912.003



B X2 DIN933-M12 X 25



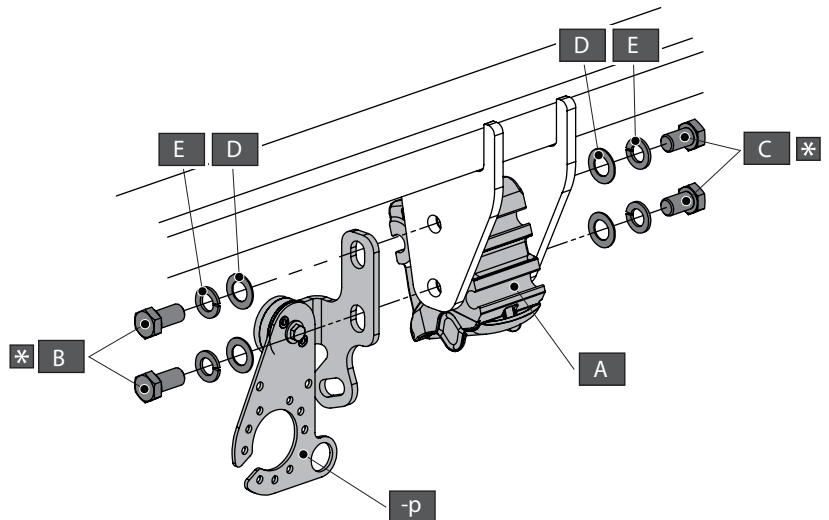
C X2 DIN933-M12 X 20

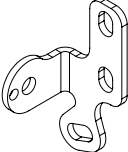





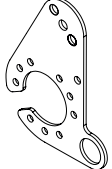


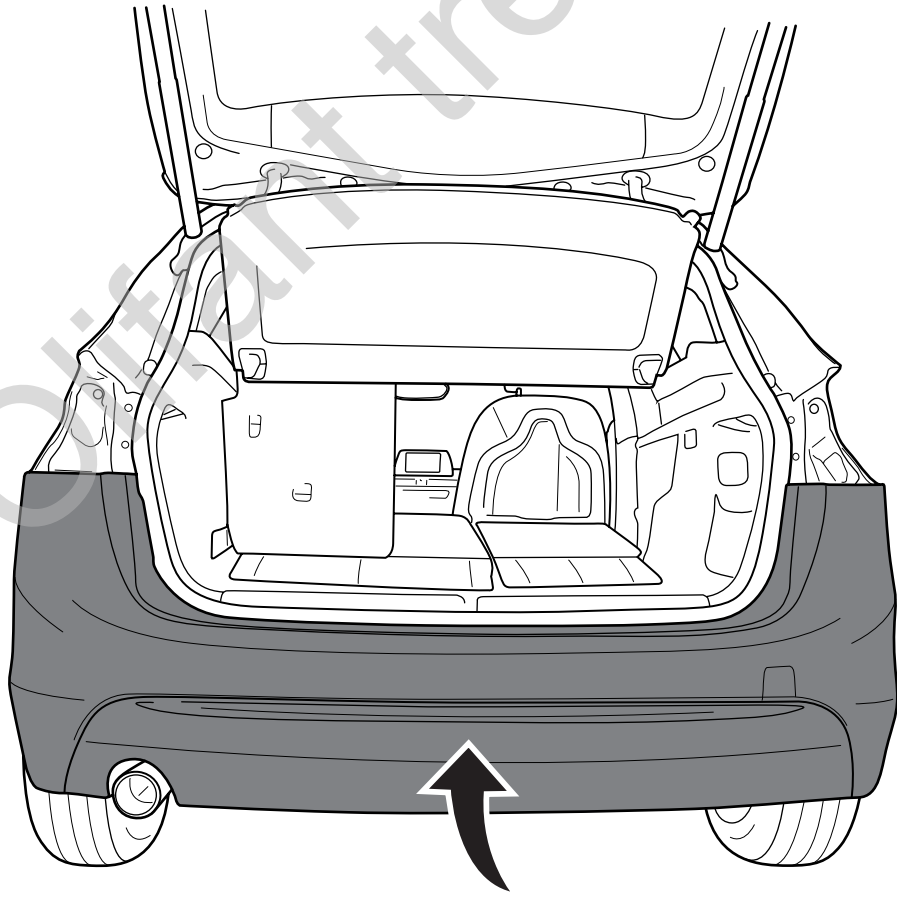
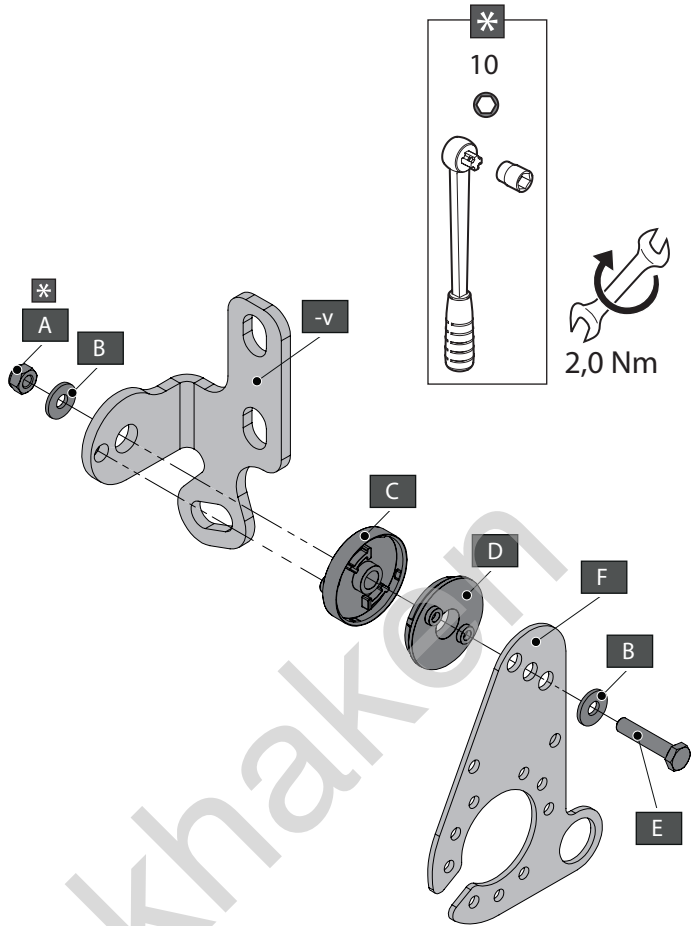
D X4 Ø 14 X 24 X 1

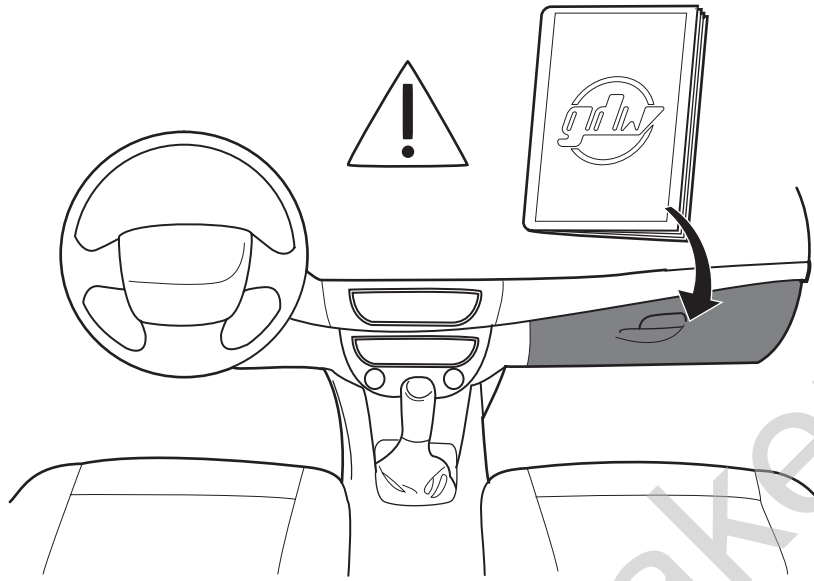


E X4 DIN128A-M12



-V		X1	GDW REF. 908.092
A		X1	DIN985-M6
B		X2	6,2 X 15,4 X 1,6 (NYLON)
C		X1	GDW REF. 718.16.002
D		X1	GDW REF. 718.16.003
E		X1	DIN933-M6 X 30
F		X1	GDW REF. 908.094





Olifant trekhaken